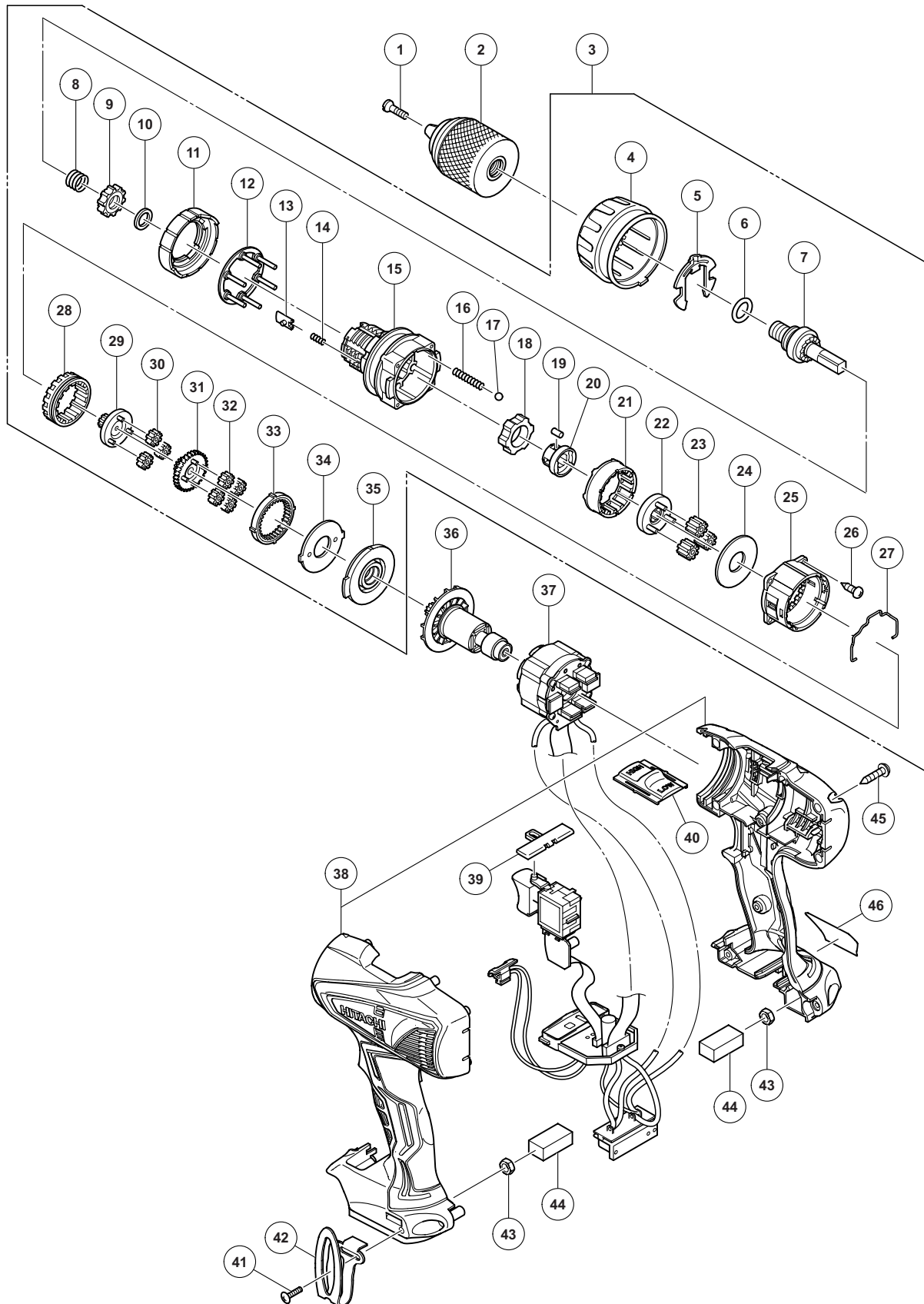


ELECTRIC TOOL PARTS LIST

■ **CORDLESS IMPACT DRIVER DRILL** 2013·6·10
Model DV 18DBFL (E1)



PARTS

DV 18DBFL

ITEM NO.	CODE NO.	DESCRIPTION	NO. USED	REMARKS
1	331-966	FLAT HD. SCREW (LEFT HAND) M6 X 20	1	
2	335-961	DRILL CHUCK 13VLRU-N (W/O CHUCK WRENCH)	1	
3	335-940	GEAR BOX ASS'Y	1	INCLUD. 4-35
4	335-960	CLUTCH DIAL	1	
5	327-146	CLICK SPRING	1	
6	327-142	O-RING	1	
7	327-137	SPINDLE	1	
8	327-136	SPRING (C)	1	
9	327-134	RATCHET (B)	1	
10	327-147	WASHER (A)	1	
11	327-145	NUT	1	
12	335-948	WASHER SET	1	
13	327-135	SLIP BLOCK	2	
14	327-133	STOPPER SPRING	2	
15	327-132	FRONT CASE	1	
16	327-143	SPRING (A)	4	
17	306-936	STEEL BALL D5	4	
18	335-945	LOCK RING	1	
19	335-946	NEEDLE ROLLER SET (4 PCS.)	4	
20	335-944	SLEEVE	1	
21	328-055	RING GEAR	1	
22	327-139	CARRIER	1	
23	312-705	PLANET GEAR (C) SET (3 PCS.)	1	
24	312-704	WASHER (A)	1	
25	335-959	REAR CASE	1	
26	324-357	SCREW SET D3 X 12 (4 PCS.)	1	
27	332-017	SHIFT ARM	1	
28	332-013	SLIDE RING GEAR	1	
29	332-012	PINION (C)	1	
30	332-019	PLANET GEAR (A) SET (6 PCS.)	3	
31	335-947	PINION (B)	1	
32	335-941	PLANET GEAR (A) SET (4 PCS.)	4	
33	335-942	FIRST RING GEAR	1	
34	312-716	WASHER (B)	1	
35	335-943	MOTOR SPACER	1	
36	335-949	ROTOR PINION	1	
37	335-952	WIRING SET	1	
38	335-958	HOUSING (A).(B) SET	1	
39	324-225	PUSHING BUTTON (B)	1	
40	335-950	SHIFT KNOB	1	
41	327-001	TRUSS HD. SCREW M4 (BLACK)	1	
42	332-824	HOOK	1	
43	327-002	LOCK NUT M4 (BLACK)	2	
44	328-644	PACKING	2	
45	313-687	TAPPING SCREW (W/FLANGE) D3 X 16 (BLACK)	10	
46		NAME PLATE	1	