

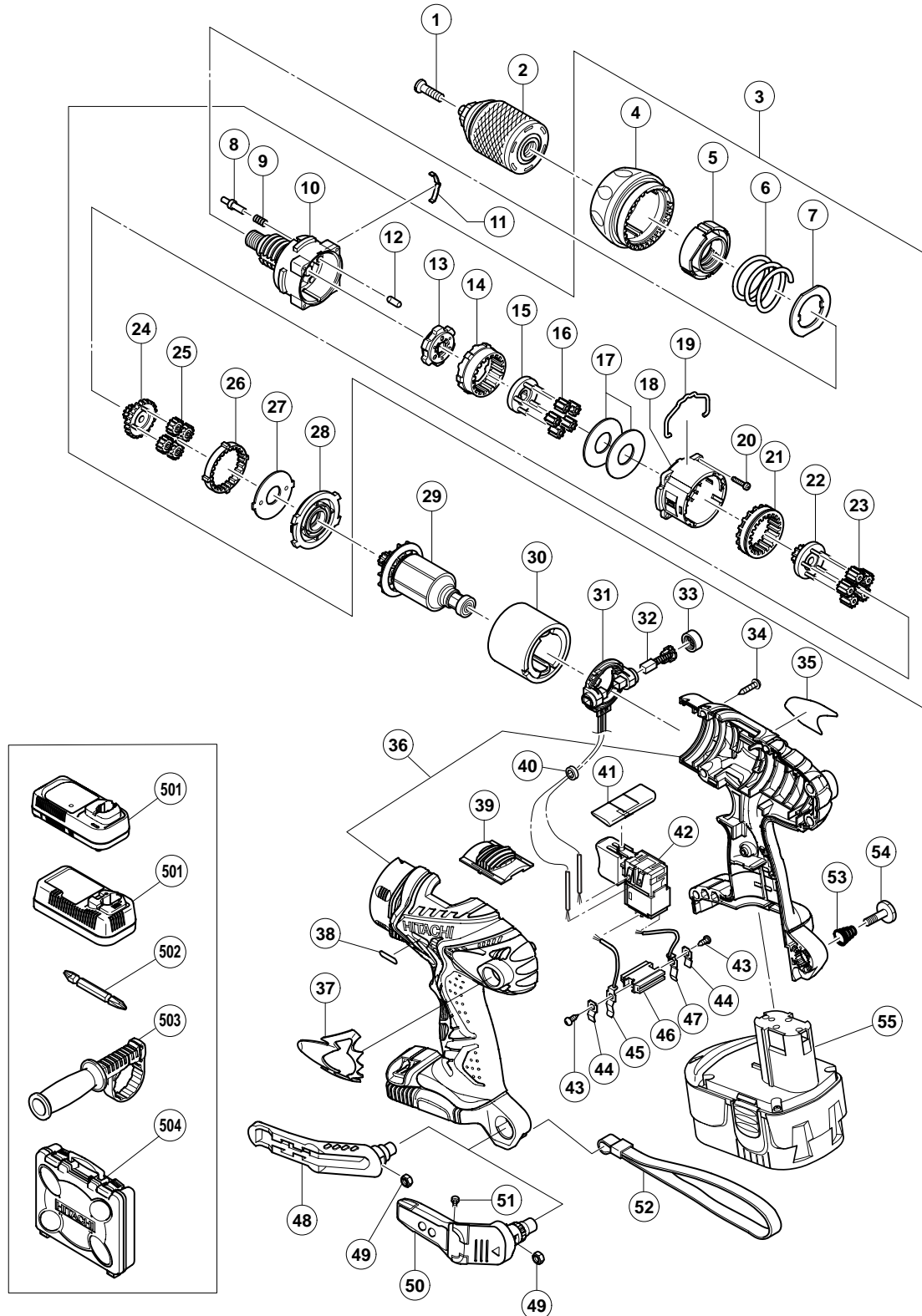
ELECTRIC TOOL PARTS LIST

■ CORDLESS DRIVER DRILL

2004 • 5 • 15

Model DS 18DMR / DS18DMR(PS)

(E1)



PARTS

DS 18DMR

ITEM NO.	CODE NO.	DESCRIPTION	NO. USED	REMARKS	
1	311-959	SPECIAL SCREW (LEFT HAND) M6X23	1		
2	323-000	DRILL CHUCK 13VLRK-N (W/O CHUCK WRENCH)	1		
3	322-969	GEAR BOX ASS'Y	1	INCLUD. 4-10, 12-28	
4	322-991	FRONT CAP	1		
5	322-974	NUT	1		
6	323-228	SPRING	1		
7	322-973	THRUST WASHER	1		
8	322-972	STOPPER	2		
9	322-971	STOPPER SPRING	2		
10	322-970	FRONT CASE	1		
11	323-231	CLICK SPRING	1		
12	322-975	PIN SET (6 PCS.)	6		
13	322-976	LOCK RING	1		
14	322-977	RING GEAR	1		
15	322-978	CARRIER	1		
16	322-979	PLANET GEAR (C) SET (5 PCS.)	5		
17	322-980	WASHER (A)	2		
18	322-981	REAR CASE	1		
19	322-990	SHIFT ARM	1		
20	315-817	SCREW SET D3X12 (6 PCS.)	4		
21	322-983	SLIDE RING GEAR	1		
22	322-982	PINION (C)	1		
23	322-984	PLANET GEAR (B) SET (5 PCS.)	5		
24	322-985	PINION (B)	1		
25	322-987	PLANET GEAR (A) SET (4 PCS.)	4		
26	322-986	FIRST RING GEAR	1		
27	322-988	WASHER (B)	1		
28	322-989	MOTOR SPACER	1		
29	360-657	ARMATURE AND PINION SET	1		
30	322-996	MAGNET	1		
31	322-993	BRUSH BLOCK	1		
32	999-054	CARBON BRUSH 5X6X11.5 (1 PAIR)	2		
33	319-918	BRUSH CAP	2		
34	313-687	TAPPING SCREW (W/FLANGE) D3X16 (BLACK)	10		
35		NAME PLATE	1		
36	322-998	HOUSING (A).(B) SET	1		
37	322-999	PLATE (A)	1		
38		HITACHI LABEL	1		
39	322-992	SHIFT KNOB	1		
40	323-229	FERRITE CORE	1	EXCEPT FOR NZL, AUS, USA, CAN	
41	322-997	PUSHING BUTTON	1		
42	322-994	DC-SPEED CONTROL SWITCH	1		
43	958-715	TAPPING SCREW D4X10	2		
44	996-118	HOLDER SPRING	2		
45	323-003	TERMINAL	1		
46	320-997	TERMINAL PIECE	1		
47	322-995	TERMINAL	1		
*	48	320-287	HOOK ASS'Y	1	INCLUD. 49
	49	320-288	V-LOCK NUT M5	1	
*	50	321-918	HOOK ASS'Y (W/LIGHT)	1	INCLUD. 49, 51 FOR USA, CAN
*	51	321-672	TAPPING SCREW D2X6	2	FOR USA, CAN

PARTS

ITEM NO.	CODE NO.	DESCRIPTION	NO. USED	REMARKS
52	306-952	STRAP (BLACK)	1	
53	319-926	HOOK SPRING	1	
54	320-881	SPECIAL SCREW (A) M5	1	
*	55	322-878	BATTERY EB 1826HL (W/ENGLISH N.P.)	2
*	55	322-876	BATTERY EB 1830HL (W/ENGLISH N.P.)	2
*	55	322-877	BATTERY EB 1830HL (W/ENGLISH N.P.)	2 FOR USA, CAN
*	55	322-879	BATTERY EB 1824L (W/ENGLISH N.P.)	2
*	55	322-881	BATTERY EB 1820L (W/ENGLISH N.P.)	2 FOR USA, CAN

