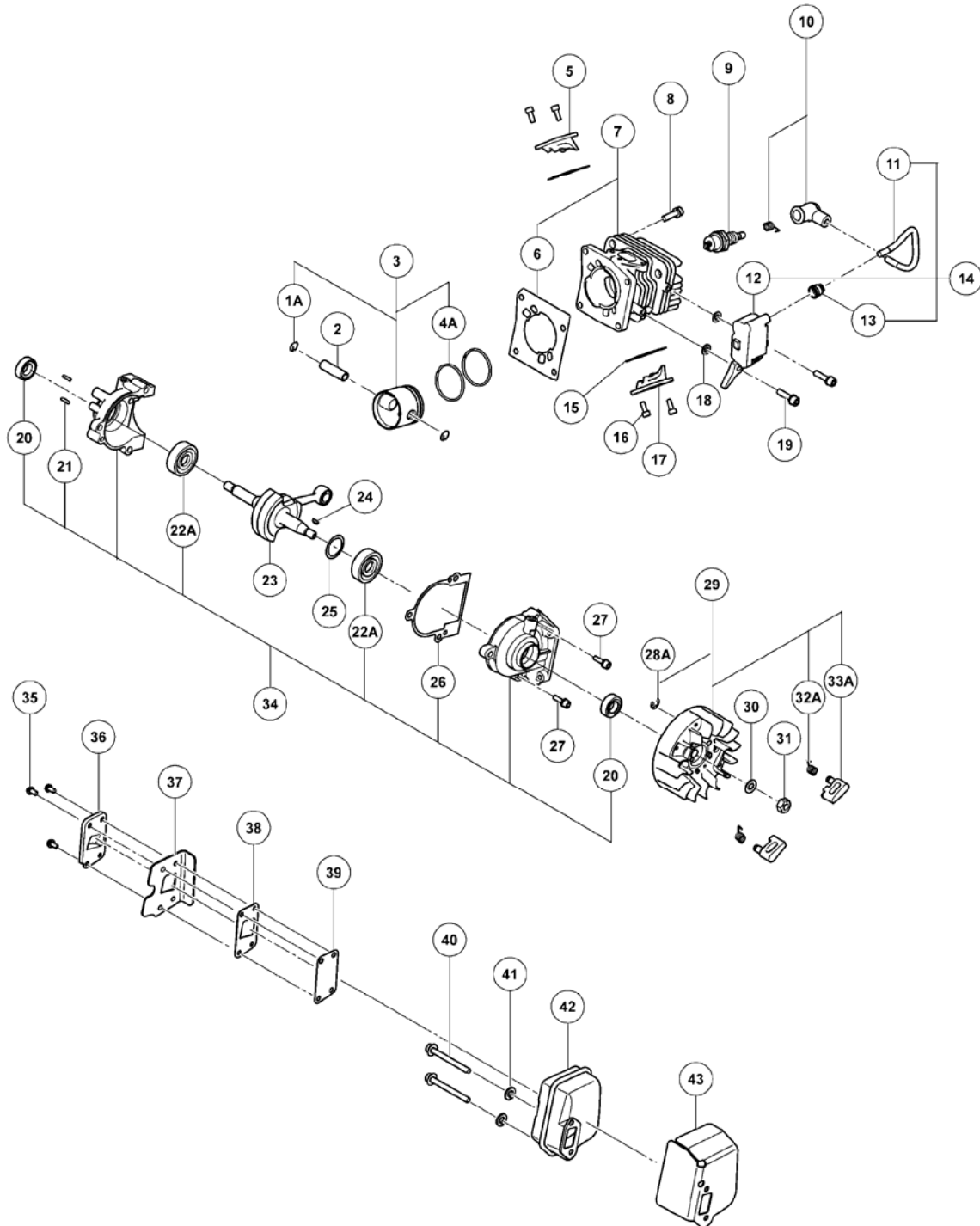
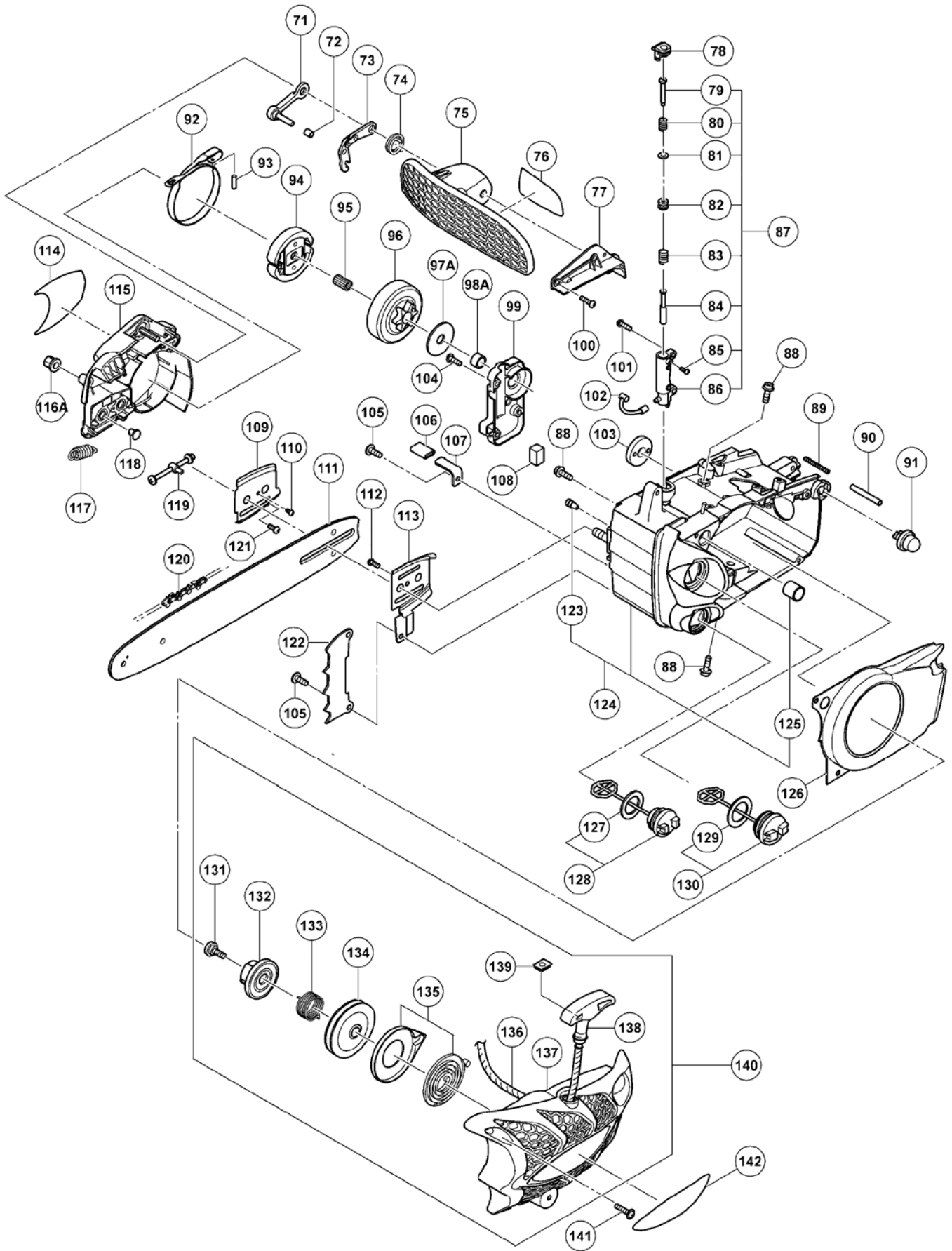


## ENGINE CHAIN SAW PARTS LIST

ENGINE CHAIN SAW  
Model CS33ET

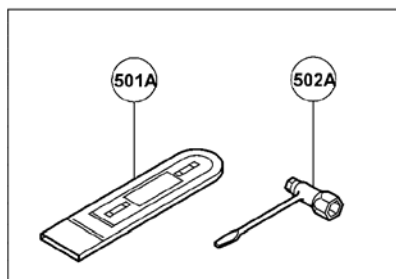
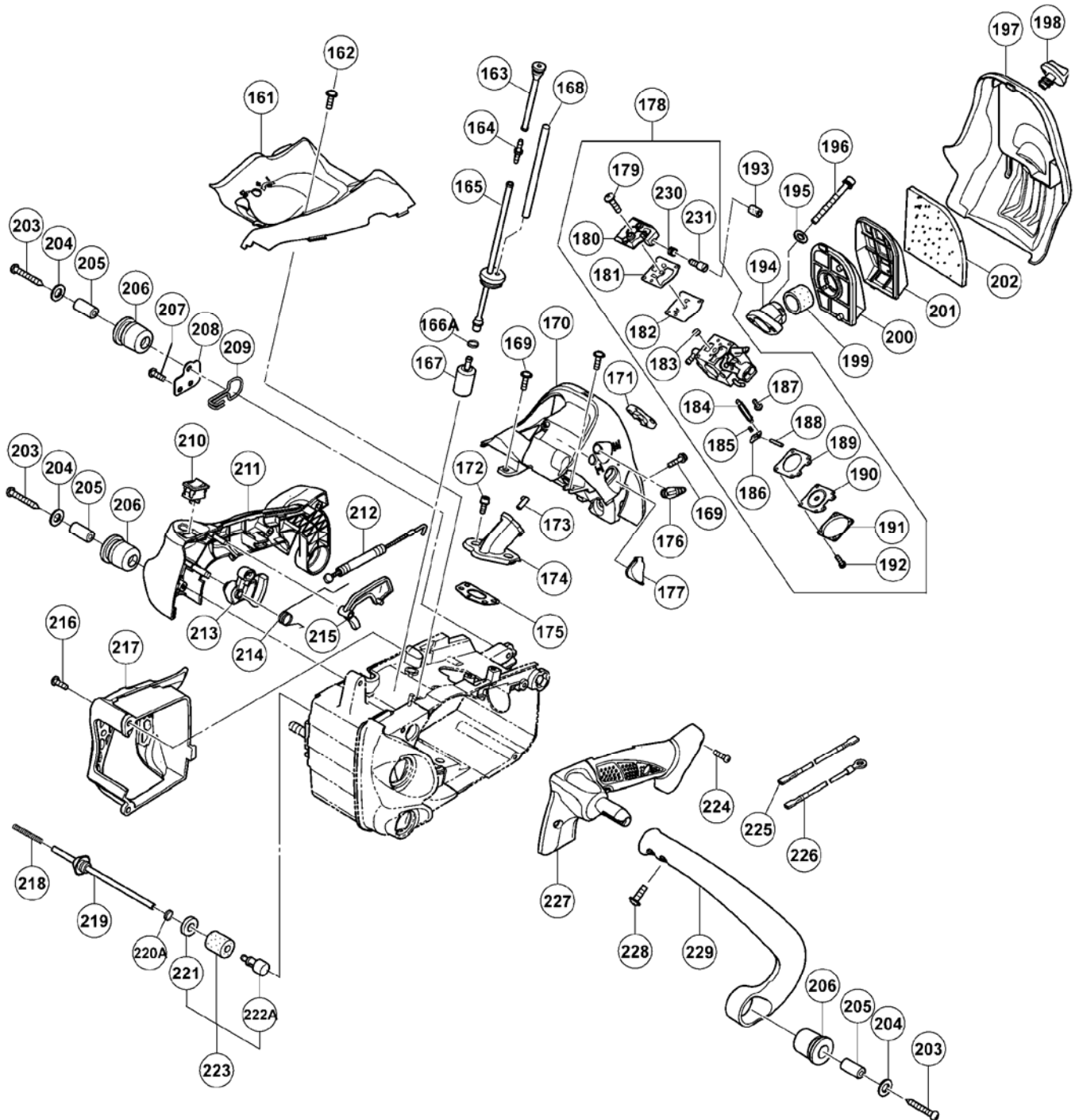
2010 • 06 • 24  
(E1)





Rev.3

形名
CS33ET(2/3)



## PARTS

CS33ET

ITEM NO.	CODE NO.	DESCRIPTION	NO. USED	REMARKS
1A	6685326	CIRCLIP	2	
2	6685079	PISTON PIN	1	
3	6685080	PISTON SET	1	INCLUD.1,4
4A	6685331	PISTON RING (XR1-1856)	2	
5	6685082	SCAVENGING COVER (B)	1	
6	6685083	CYLINDER PACKING	1	
7	6685084	CYLINDER SET	1	INCLUD.6
8	6684668	HEX.HOLE BOLT M5X20/S	4	
*9	6685085	SPARK PLUG BPM6A	1	FOR USA
*9	6685086	SPARK PLUG BPMR6A	1	FOR EUROPE,AUS
10	6685087	SPARK PLUG CAP ASS'Y	1	
11	6685088	HIGH VOLTAGE CORD	1	
12	6685089	IGNITION COIL COMP.	1	
13	6684602	RUBBER CAP	1	
14	6685091	IGNITION COIL ASS'Y	1	INCLUD.11-13
15	6685092	COVER PACKING (A)	2	
16	6685093	HEX. SOCKET HD. BOLT M4X10	4	
17	6685094	SCAVENGING COVER (A)	1	
18	6684600	WASHER	2	
19	6684599	HEX.HOLE BOLT M4X18/WS	2	
20	6684607	OIL SEAL TB 12227	2	
21	6685095	NEEDLE ROLLER 2.5X9.8	2	
22A	6685328	BALL BEARING	2	
23	6685097	CRANK SHAFT COMP.	1	
24	6684899	WOODRUFF KEY 3X13X4.5	1	
*25	6685098	SHIM S T0.2	1	
*25	6685099	SHIM S T0.3	1	
26	6685100	CRANK CASE PACKING	1	
27	6684668	HEX.HOLE BOLT M5X20/S	3	
28A	6685336	RETAINING RING D4	2	
29	6685102	MAGNETO ROTOR ASS'Y	1	INCLUD.28,32,33
30	6685103	BOLT WASHER M7	1	
31	6685104	FLYWHEEL NUT	1	
32A	6685335	STARTER PAWL SPRING	2	
33A	6685334	STARTER PAWL	2	
34	6685107	CRANK CASE ASS'Y	1	INCLUD.20-22,26
*35	986662	MACHINE SCREW (W/WASHERS) M4X10	4	FOR USA
*35	6685109	MACHINE SCREW (W/SP. WASHER) M4X8	4	FOR EUROPE,AUS
36	6685110	EXHAUST PIPE	1	
37	6685111	MUFFLER SPECIAL PACKING	1	
38	6685112	GAUZE FIXING PLATE	1	FOR USA
39	6685113	MUFFLER GAUZE	1	FOR USA
40	6685114	HEX. SOCKET HD. BOLT M5X50	2	
41	6684661	WASHER 5	2	
*42	6685115	MUFFLER COMP.	1	FOR USA
*42	6685116	MUFFLER COMP.	1	FOR EUROPE,AUS
43	6685117	MUFFLER PACKING	1	
71	6685119	BRAKE SUPPORT PLATE COMP.	1	
72	6685120	COLLAR	1	
73	6685121	BRAKE LINK COMP.	1	
74	6685122	BRAKE LEVER SPRING	1	
75	6685123	BRAKE HANDLE	1	
76		CAUTION MARK	1	
77	6685126	BRAKE LINK COVER	1	
78	6685127	OIL ADJUST GROMMET	1	
79	6685128	OIL PUMP ADJUSTER	1	
80	6685129	ADJUSTER SPRING	1	
81	6685070	BOLT WASHER M4	1	
82	6685130	OIL PUMP ADJUST CAP	1	
83	6685131	PUMP GEAR SPRING	1	

## Parts

CS33ET

ITEM NO.	CODE NO.	DESCRIPTION	NO. USED	REMARKS
84	6685132	PUMP GEAR COMP.	1	
85	6685133	MACHINE SCREW M3X8	1	
86	6685134	OIL PUMP CASE COMP.	1	
87	6685135	OIL PUMP CASE ASS'Y	1	INCLUD.79-86
88	6685136	SEAL LOCK BOLT M5X15	5	
89	6685137	PROTECTIVE COIL	1	
90	6685138	FUEL PIPE 2.5X4X42	1	
91	6685139	PRIMING PUMP COMP.	1	
92	6685140	BRAKE BAND	1	
93	6685141	NEEDLE ROLLER 3X9.8	1	
94	6685142	CLUTCH COMP.	1	
95	6685143	NEEDLE BEARING	1	
96	6685144	CLUTCH HOUSING COMP.	1	
97A	6685414	CLUTCH WASHER	1	
98A	6685360	CRANK SHAFT COLLAR	1	
99	6685147	OIL PUMP COVER	1	
100	6685148	TAPPING SCREW D4X15	3	
101	6685149	MACHINE SCREW (W/SP. WASHER) M4X14	2	
102	6685150	OIL PIPE (A)	1	
103	6685151	SCREW GEAR	1	
104	6685152	TAPPING SCREW D4.5X14	3	
105	6685153	TAPPING SCREW D4.5X14	3	
106	6685154	FUEL PIPE	1	
107	6685155	CHAIN CATCHER	1	
108	6685156	AIR VENT SPONGE	1	
109	6685157	GUIDE PLATE (B)	1	
110	6685158	TAPPING SCREW D3X8	1	
*111	6685294	CHAIN BAR 12 INCH 3/8 SPROCKET	1	FOR EUROPE,AUS,USA
*111	6685295	CHAIN BAR 14 INCH 3/8 SPROCKET	1	FOR EUROPE,USA
112	6685161	TAPPING SCREW D4X10	1	
113	6685162	GUIDE PLATE (A)	1	
114		NAME PLATE (CS 33ET)	1	
115	6685165	SIDE COVER COMP.	1	
*115	6698344	SIDE COVER COMP. (GREEN)	1	FOR USA
116A	6685416	CHAIN BAR CLAMP NUT	2	
117	6685167	BRAKE SPRING	1	
118	6685168	GEAR (A)	1	
119	6685169	CHAIN PULLER COMP.	1	
*120	6685170	SAW CHAIN (3/8X12") 91VG-45E	1	FOR EUROPE,AUS,USA
*120	6685171	SAW CHAIN (3/8X14") 91VG-52E	1	FOR EUROPE,USA
121	6685161	TAPPING SCREW D4X10	1	
122	6685172	SPIKE	1	FOR EUROPE,AUS
123	6685173	AIR VENT VALVE (B)	1	
124	6685174	ENGINE CASE ASS'Y	1	INCLUD.123,125
125	6685175	INNER CAP ASS'Y	1	
126	6685176	AIR DEFLECTOR	1	
127	6685177	OIL TANK CAP PACKING	1	
128	6685178	OIL TANK CAP ASS'Y	1	INCLUD.127
129	6685179	TANK CAP PACKING	1	
130	6685180	TANK CAP ASS'Y	1	INCLUD.129
*130	6698348	FUEL TANK CAP ASS'Y (GREEN)	1	FOR USA
131	6684679	SET SCREW	1	
132	6685182	CAM PLATE	1	
133	6685183	DAMPER SPRING	1	
134	6685184	STARTER PULLEY	1	
135	6685185	SPRING CASE SET	1	
136	6685186	ROPE	1	
137	6685187	FAN CASE COMP.	1	
138	6685188	STARTER HANDLE	1	
139	6685189	PLATE	1	

## Parts

CS33ET

ITEM NO.	CODE NO.	DESCRIPTION	NO. USED	REMARKS
140	6685190	RECOIL STARTER ASS'Y	1	INCLUD.131-139
*140	6698345	RECOIL STARTER ASS'Y (GREEN)	1	FOR USA
141	6685191	TAPPING SCREW D4.5X20	4	
142		HITACHI LABEL (C)	1	
161	6685194	ENGINE CASE COVER	1	
162	6685152	TAPPING SCREW D4.5X14	3	
163	6685195	RUBBER PIPE	1	
164	6685196	PIPE JOINT	1	
165	6685197	SHIELD TUBE ASS'Y	1	
166A	6685311	CLIP	1	
167	6685199	PUMP FILTER BODY	1	
168	6685200	FUEL PIPE 2.5X4X260	1	
169	6685153	TAPPING SCREW D4.5X14	3	
170	6685201	CLEANER BODY COMP.	1	
171	6685202	INLET MANIFOLD SPACER	1	
172	6684595	HEX.HOLE BOLT M4X12/S	2	
173	6685203	PULSE GUIDE	1	
174	6685204	INTAKE COMP.	1	
175	6685205	INTAKE PACKING	1	
176	6685206	CHOKE LEVER	1	
*176	6698349	CHOKE LEVER (GREEN)	1	FOR USA
177	6685207	ADJUSTER CAP	1	
*178	6685208	CARBURETOR ASS'Y WT-940	1	INCLUD.179-192,230,231 FOR USA,EUROPE
*178	6685209	CARBURETOR ASS'Y WT-949	1	INCLUD.179-192,230,231 FOR AUS,RUS
179	6685210	SCREW	1	
180	6685211	PUMP BODY	1	
181	6685212	PUMP GASKET	1	
182	6685213	PUMP DIAPHRAGM	1	
183	6684700	INLET SCREEN	1	
184	6685215	NEEDLE VALVE	1	
185	6685216	VALVE SPRING	1	
186	6685217	CONTROL LEVER	1	
187	6685218	HINGE PIN SET SCREW	1	
188	6685219	HINGE PIN	1	
189	6685220	DIAPHRAGM PACKING	1	
190	6684690	METERING DIAPHRAGM COMP.	1	
191	6685222	DIAPHRAGM COVER	1	
192	6685223	SET SCREW	4	
193	6685224	IDLE SPONGE	1	
194	6685225	AIR CLEANER BASE	1	
195	6685226	WASHER M5 (BLACK)	2	
196	6685114	HEX. SOCKET HD. BOLT M5X50	2	
197	6685227	CLEANER COVER	1	
198	6685228	CLEANER KNOB	1	
199	6685229	CLEANER SPONGE (B)	1	
200	6685230	CLEANER ELEMENT A COMP.	1	
201	6685231	CLEANER ELEMENT B COMP.	1	
202	6685232	CLEANER SPONGE (A)	1	
203	6685233	TAPPING SCREW D5X45	3	
204	6685234	WASHER	3	
205	6685235	COLLAR 28.2	3	
206	6685236	BUMPER COMP.	3	
207	6685153	TAPPING SCREW D4.5X14	2	
208	6685237	HOOK HOLDER PLATE	1	
209	6685238	HOOK	1	
210	6685239	STOP SWITCH	1	
211	6685240	REAR HANDLE (B) COMP.	1	
212	6685241	THROTTLE WIRE COMP.	1	
213	6685242	THROTTLE LEVER	1	
*213	6698346	THROTTLE LEVER (GREEN)	1	FOR USA



**STANDARD ACCESSORIES**

**CS33ET**

ITEM NO.	CODE NO.	DESCRIPTION	NO. USED	REMARKS
*501A	6685401	CHAIN COVER 12"	1	
*501A	6685439	CHAIN COVER	1	
502A	6685402	COMBI BOX SPANNER 10/19MM	1	

**OPTIONAL ACCESSORIES**

ITEM NO.	CODE NO.	DESCRIPTION	NO. USED	REMARKS
	700320	BAR & CHAIN OIL,1QT BOTTLE		Case Qty 12
	700321	BAR & CHAIN OIL,1GAL BOTTLE		Case Qty 4
	700208	OIL,2-CYCLE,16oz,24cs		24 16oz SELF-MEASURING BOTTLES
	700209	OIL,2-CYCLE,2.6oz,48cs		6 PACK-INNERPACK 48 BOTTLES
	700210	OIL,2-CYCLE,1 GALLON,4cs		OIL,2-CYCLE,1 GALLON,4cs
	700212	OIL,2-CYCLE,5 GALLON		5 GALLON PAIL
	700215	OIL,2-CYCLE,55 GALLON		55 GALLON DRUM