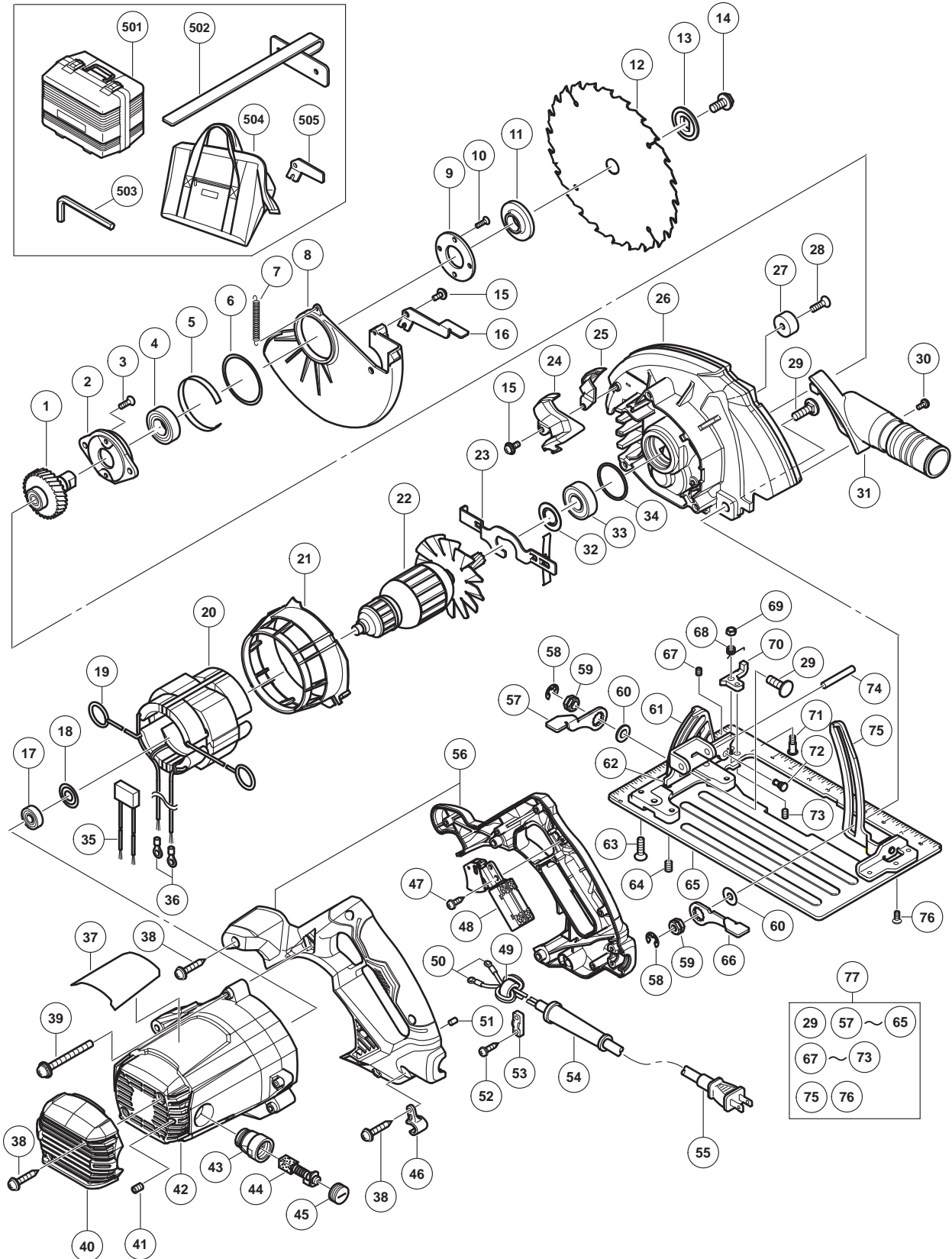


ELECTRIC TOOL PARTS LIST

■ CIRCULAR SAW Model C 7UR

2017-10-23
(E1)



PARTS

C 7UR

ITEM NO.	CODE NO.	DESCRIPTION	NO. USED	REMARKS
1	372782	SPINDLE AND GEAR SET	1	
2	372765	BEARING HOLDER	1	
3	992013	SEAL LOCK FLAT HD. SCREW M5 X 14	2	
4	6003VV	BALL BEARING 6003VVCMP2L	1	
5	998887	LINER	1	
6	370591	WASHER	1	
7	373026	RETURN SPRING	1	
8	372758	LOWER GUARD	1	
9	302435	BEARING COVER	1	
10	990430	SEAL LOCK FLAT HD. SCREW M4 X 10	2	
*	11	324597	WASHER (A)	1
*	11	372780	WASHER (A)	1 FOR USA,CAN,MEX
*	11	321639	WASHER (A)	1 FOR AUS,NZL
*	12	302412	TCT SAW BLADE 185MM-D30 HOLE-NT18	1
*	12	302411	TCT SAW BLADE 185MM-D20 HOLE-NT18	1 FOR AUS,NZL
*	12		TCT SAW BLADE 185MM-D16 HOLE-NT24	1 FOR USA,CAN
*	12	372102	TCT SAW BLADE 185MM-D16 HOLE-NT24	1 FOR MEX
*	13	324598	WASHER (B)	1
*	13	320953	WASHER (B)	1 FOR AUS,NZL
14	324662	HEX. SOCKET HD. BOLT M8 X 15.5	1	
15	935196	MACHINE SCREW (W/WASHERS) M4 X 12 (BLACK)	2	
16	328045	LEVER	1	
17	6000VV	BALL BEARING 6000VVCMP2L	1	
18	302428	WASHER (A)	1	
19	937623	BRUSH TERMINAL	2	
*	20	340983C	STATOR ASS'Y 120V	1 INCLUD.19,36
*	20	340983B	STATOR ASS'Y 110V (W/NOISE SUPPRESSOR)	1 INCLUD.19,35,36
*	20	340983F	STATOR ASS'Y 230-240V(W/NOISE SUPPRESSOR)	1 INCLUD.19,35,36
21	372743	FAN GUIDE	1	
*	22	361074U	ARMATURE ASS'Y 110V-120V	1 INCLUD.17,18,32,33
*	22	361074F	ARMATURE 230V-240V	1
23	320959	LOCK LEVER	1	
24	372768	FLOW GUIDE (B)	1	
25	372767	FLOW GUIDE (A)	1	
26	372763	GEAR COVER	1	
27	337080	CUSHION	1	
28	949794	FLAT HD. SCREW M6 X 20 (10 PCS.)	1	
29	372774	BOLT (SQUARE) M8	2	
*	30	935196	MACHINE SCREW (W/WASHERS) M4 X 12 (BLACK)	1 EXCEPT FOR USA,CAN
*	31	372757	DUST COLLECTOR SET	1 INCLUD.30,505 EXCEPT FOR USA,CAN
32	980700	DUST WASHER (B)	1	
33	6202VV	BALL BEARING 6202VVCMP2L	1	
34	372783	O-RING (I.D. 34.5)	1	
*	35	930039	NOISE SUPPRESSOR	1 FOR EUROPE,GBR,AUS,NZL
*	36	311741	TERMINAL	2
*	36	930804	TERMINAL M4.0 (10 PCS.)	2 FOR USA,CAN,MEX
37		NAME PLATE	1	
38	301653	TAPPING SCREW (W/FLANGE) D4 X 20 (BLACK)	8	
39	997841	MACHINE SCREW (W/WASHERS) M5 X 50 (BLACK)	3	
40	372762	TAIL COVER	1	

PARTS

C 7UR

ITEM NO.	CODE NO.	DESCRIPTION	NO. USED	REMARKS
41	938477	HEX. SOCKET SET SCREW M5 X 8	2	
42	372759	HOUSING ASS'Y	1	INCLUD.41,43
43	938241	BRUSH HOLDER	2	
44	999038	CARBON BRUSH (1 PAIR)	2	
45	945161	BRUSH CAP	2	
46	370269	CORD HOLDER	1	
47	311945	TAPPING SCREW (W/FLANGE) D4 X 10 (BLACK)	1	
48	372781	SWITCH	1	
* 49	334379	FERRITE CORE	1	FOR GBR (110V)
* 50	980063	TERMINAL	2	
* 50	930804	TERMINAL M4.0 (10 PCS.)	2	FOR USA,CAN,MEX
51	931701	BEARING LOCK	1	
52	984750	TAPPING SCREW (W/FLANGE) D4 X 16	2	
53	937631	CORD CLIP	1	
* 54	953327	CORD ARMOR D8.8	1	
* 54	938051	CORD ARMOR D10.1	1	
* 55	500453Z	CORD	1	(CORD ARMOR D10.1)
* 55	500439Z	CORD	1	(CORD ARMOR D8.8) FOR AUS,NZL
* 55	500435Z	CORD	1	(CORD ARMOR D8.8) FOR GBR (230V)
* 55	500463Z	CORD	1	(CORD ARMOR D8.8) FOR GBR (110V)
* 55	500247Z	CORD	1	(CORD ARMOR D8.8) FOR EUROPE
56	373027	HANDLE (A).(B) SET	1	
57	372773	LEVER (A)	1	
58	670514	RETAINING RING (E-TYPE) FOR D10 SHAFT	2	
59	372772	LOCK NUT	2	
60	949433	BOLT WASHER M8 (10 PCS.)	2	
61	372764	BEVEL STAND	1	
62	372770	BEVEL PLATE	1	
63	992013	SEAL LOCK FLAT HD. SCREW M5 X 14	4	
64	308109	SLOTTED HD. SET SCREW (SEAL LOCK) M6 X 8	1	
65	372769	BASE PLATE	1	
66	372745	LEVER	1	
67	319541	SEAL LOCK HEX. SOCKET SET SCREW M5 X 6	1	
68	372778	SPRING (B)	1	
69	308387	U-NUT M5	1	
70	372776	STOPPER LEVER	1	
71	372777	SPECIAL BOLT	1	
72	372775	STEP PIN	1	
73	372779	SEAL LOCK HEX. SOCKET SET SCREW M5 X 8	1	
74	949686	ROLL PIN D6 X 40 (10 PCS.)	1	
75	372771	LINK	1	
76	328604	SEAL LOCK FLAT HD. SCREW M4 X 8	3	
77	372785	BASE ASS'Y	1	INCLUD.29,57-65,67-73,75,76

