

Dust Extractor System for Hitachi Cordless Rotary Hammer

Système extracteur de poussière pour marteau rotatif sans fil Hitachi

Sistema extractor de polvo para el martillo perforador a batería de Hitachi

SAFETY INSTRUCTIONS AND INSTRUCTION MANUAL

WARNING

IMPROPER OR UNSAFE use of this power tool can result in death or serious bodily injury!
This manual contains important information about product safety. Please read and understand
this manual **BEFORE** operating the power tool. Please keep this manual available for other
users and owners before they use the power tool. This manual should be stored in safe place.

INSTRUCTIONS DE SECURITE ET MODE D'EMPLOI

AVERTISSEMENT

Une utilisation **INCORRECTE OU DANGEREUSE** de cet outil motorisé peut entraîner la mort
ou de sérieuses blessures corporelles!
Ce mode d'emploi contient d'importantes informations à propos de la sécurité de ce produit.
Prière de lire et de comprendre ce mode d'emploi **AVANT** d'utiliser l'outil motorisé. Garder ce
mode d'emploi à la disponibilité des autres utilisateurs et propriétaires avant qu'ils utilisent
l'outil motorisé. Ce mode d'emploi doit être conservé dans un endroit sûr.

INSTRUCCIONES DE SEGURIDAD Y MANUAL DE INSTRUCCIONES

ADVERTENCIA

¡La utilización **INAPROPIADA O PELIGROSA** de esta herramienta eléctrica puede resultar
en lesiones de gravedad o la muerte!
Este manual contiene información importante sobre la seguridad del producto. Lea y
comprenda este manual **ANTES** de utilizar la herramienta eléctrica. Guarde este manual para
que puedan leerlo otras personas antes de utilizar la herramienta eléctrica. Este manual debe
ser guardado en un lugar seguro.

CONTENTS

English	Page	Page	
IMPORTANT SAFETY INSTRUCTIONS	3	OPTIONAL ACCESSORIES (sold separately)	6
MEANINGS OF SIGNAL WORDS	3	SPECIFICATIONS	7
SAFETY	3	ASSEMBLY AND OPERATION	8
GENERAL POWER TOOL SAFETY WARNINGS ...	3	APPLICATIONS	8
DUST EXTRACTOR SYSTEM		HOW TO USE	8
SAFETY WARNINGS	5	MAINTENANCE AND INSPECTION	13
SYMBOLS	5	TROUBLESHOOTING	15
FUNCTIONAL DESCRIPTION	6	PARTS LIST	44
NAME OF PARTS	6		

TABLE DES MATIÈRES

Français	Page	Page	
CONSIGNES DE SÉCURITÉ IMPORTANTES	16	ACCESSOIRES EN OPTION	
SIGNIFICATION DES MOTS D'AVERTISSEMENT ...	16	(vendus séparément)	20
SÉCURITÉ	16	SPECIFICATIONS	21
AVERTISSEMENTS DE SÉCURITÉ GÉNÉRAUX		ASSEMBLAGE ET FONCTIONNEMENT	22
CONCERNANT LES OUTILS ÉLECTRIQUES ...	16	APPLICATIONS	22
AVERTISSEMENTS DE SÉCURITÉ POUR LE		COMMENT UTILISER	22
SYSTÈME EXTRACTEUR DE POUSSIÈRE	18	ENTRETIEN ET INSPECTION	27
SYMBOLS	19	DÉPANNAGE	29
DESCRIPTION FONCTIONNELLE	20	LISTE DES PIÈCES	44
NOM DES PARTIES	20		

ÍNDICE

Español	Página	Página	
INSTRUCCIONES IMPORTANTES SOBRE		ACCESORIOS OPCIONALES	
SEGURIDAD	30	(vendidos por separado)	34
SIGNIFICADO DE LAS PALABRAS DE		ESPECIFICACIONES	35
SEÑALIZACIÓN	30	MONTAJE Y OPERACIÓN	36
SEGURIDAD	30	APLICACIONES	36
ADVERTENCIAS DE SEGURIDAD GENERAL		MODO DE EMPLEO	36
DE LA HERRAMIENTA ELÉCTRICA	30	MANTENIMIENTO E INSPECCIÓN	41
ADVERTENCIAS DE SEGURIDAD DEL		SOLUCIÓN DE PROBLEMAS	43
EXTRACTOR DE POLVO	32	LISTA DE PIEZAS	44
SÍMBOLOS	33		
DESCRIPCIÓN FUNCIONAL	34		
NOMENCLATURA	34		

IMPORTANT SAFETY INSTRUCTIONS

Read all of the safety precautions, warnings and operating instructions in the Instruction Manual before operating or maintaining this power tool.

Most accidents that result from power tool operation and maintenance are caused by the failure to observe basic safety rules or precautions. An accident can often be avoided by recognizing a potentially hazardous situation before it occurs, and by observing appropriate safety procedures.

Basic safety precautions are outlined in the "SAFETY" section of this Instruction Manual and in the sections which contain the operation and maintenance instructions.

Hazards that must be avoided to prevent bodily injury or machine damage are identified by WARNINGS on the power tool and in this Instruction Manual.

NEVER use this power tool in a manner that has not been specifically recommended by HITACHI.

MEANINGS OF SIGNAL WORDS

WARNING indicates a potentially hazardous situations which, if ignored, could result in death or serious injury.

CAUTION indicates a potentially hazardous situations which, if not avoided, may result in minor or moderate injury, or may cause machine damage.

NOTE emphasizes essential information.

SAFETY

GENERAL POWER TOOL SAFETY WARNINGS

⚠ WARNING

Read all safety warnings and all instructions.

Failure to follow the warnings and instructions may result in electric shock, fire and/or serious injury.

Save all warnings and instructions for future reference.

The term "power tool" in the warnings refers to your mains-operated (corded) power tool or battery-operated (cordless) power tool.

- 1) **Work area safety**
 - a) **Keep work area clean and well lit.**
Cluttered or dark areas invite accidents.
 - b) **Do not operate power tools in explosive atmospheres, such as in the presence of flammable liquids, gases or dust.**
Power tools create sparks which may ignite the dust or fumes.
 - c) **Keep children and bystanders away while operating a power tool.**
Distractions can cause you to lose control.
- 2) **Electrical safety**
 - a) **Power tool plugs must match the outlet. Never modify the plug in any way. Do not use any adapter plugs with earthed (grounded) power tools.**
Unmodified plugs and matching outlets will reduce risk of electric shock.
 - b) **Avoid body contact with earthed or grounded surfaces such as pipes, radiators, ranges and refrigerators.**
There is an increased risk of electric shock if your body is earthed or grounded.
 - c) **Do not expose power tools to rain or wet conditions.**
Water entering a power tool will increase the risk of electric shock.
 - d) **Do not abuse the cord. Never use the cord for carrying, pulling or unplugging the power tool. Keep cord away from heat, oil, sharp edges or moving parts.**
Damaged or entangled cords increase the risk of electric shock.
 - e) **When operating a power tool outdoors, use an extension cord suitable for outdoor use.**
Use of a cord suitable for outdoor use reduces the risk of electric shock.
 - f) **If operating a power tool in a damp location is unavoidable, use a residual current device (RCD) protected supply.**
Use of an RCD reduces the risk of electric shock.
- 3) **Personal safety**
 - a) **Stay alert, watch what you are doing and use common sense when operating a power tool. Do not use a power tool while you are tired or under the influence of drugs, alcohol or medication.**

A moment of inattention while operating power tools may result in serious personal injury.

- b) **Use personal protective equipment. Always wear eye protection.**
Protective equipment such as dust mask, non-skid safety shoes, hard hat, or hearing protection used for appropriate conditions will reduce personal injuries.
 - c) **Prevent unintentional starting. Ensure the switch is in the off-position before connecting to power source and/or battery pack, picking up or carrying the tool.**
Carrying power tools with your finger on the switch or energising power tools that have the switch on invites accidents.
 - d) **Remove any adjusting key or wrench before turning the power tool on.**
A wrench or a key left attached to a rotating part of the power tool may result in personal injury.
 - e) **Do not overreach. Keep proper footing and balance at all times.**
This enables better control of the power tool in unexpected situations.
 - f) **Dress properly. Do not wear loose clothing or jewellery. Keep your hair, clothing and gloves away from moving parts.**
Loose clothes, jewellery or long hair can be caught in moving parts.
 - g) **If devices are provided for the connection of dust extraction and collection facilities, ensure these are connected and properly used.**
Use of dust collection can reduce dust-related hazards.
- 4) **Power tool use and care**
 - a) **Do not force the power tool. Use the correct power tool for your application.**
The correct power tool will do the job better and safer at the rate for which it was designed.
 - b) **Do not use the power tool if the switch does not turn it on and off.**
Any power tool that cannot be controlled with the switch is dangerous and must be repaired.
 - c) **Disconnect the plug from the power source and/or the battery pack from the power tool before making any adjustments, changing accessories, or storing power tools.**
Such preventive safety measures reduce the risk of starting the power tool accidentally.
 - d) **Store idle power tools out of the reach of children and do not allow persons unfamiliar with the power tool or these instructions to operate the power tool.**
Power tools are dangerous in the hands of untrained users.
 - e) **Maintain power tools. Check for misalignment or binding of moving parts, breakage of parts and any other condition that may affect the power tool's operation. If damaged, have the power tool repaired before use.**
Many accidents are caused by poorly maintained power tools.
 - f) **Keep cutting tools sharp and clean.**
Properly maintained cutting tools with sharp cutting edges are less likely to bind and are easier to control.
 - g) **Use the power tool, accessories and tool bits etc. in accordance with these instructions, taking into account the working conditions and the work to be performed.**
Use of the power tool for operations different from those intended could result in a hazardous situation.
- 5) **Battery tool use and care**
 - a) **Recharge only with the charger specified by the manufacturer.**
A charger that is suitable for one type of battery pack may create a risk of fire when used with another battery pack.
 - b) **Use power tools only with specifically designated battery packs.**
Use of any other battery packs may create a risk of injury and fire.
 - c) **When battery pack is not in use, keep it away from other metal objects, like paper clips, coins, keys, nails, screws or other small metal objects, that can make a connection from one terminal to another.**
Shorting the battery terminals together may cause burns or a fire.
 - d) **Under abusive conditions, liquid may be ejected from the battery; avoid contact. If contact accidentally occurs, flush with water. If liquid contacts eyes, additionally seek medical help.**
Liquid ejected from the battery may cause irritation or burns.
 - 6) **Service**
 - a) **Have your power tool serviced by a qualified repair person using only identical replacement parts.**
This will ensure that the safety of the power tool is maintained.



PRECAUTION

Keep children and infirm persons away. When not in use, tools should be stored out of reach of children and infirm persons.

– WARNING –

To reduce the risk of injury, user must read instruction manual.

WARNING

Some dust created by power sanding, sawing, grinding, drilling, and other construction activities contains chemicals known to the State of California to cause cancer, birth defects or other reproductive harm. Some examples of these chemicals are:

- Lead from lead-based paints,
- Crystalline silica from bricks and cement and other masonry products, and
- Arsenic and chromium from chemically-treated lumber.


Your risk from these exposures varies, depending on how often you do this type of work. To reduce your exposure to these chemicals: work in a well ventilated area, and work with approved safety equipment, such as those dust masks that are specially designed to filter out microscopic particles.

DUST EXTRACTOR SYSTEM SAFETY WARNINGS

1. Before using the cordless rotary hammer, be sure to read its instruction manual carefully.
2. Do not use the tool for any purposes other than those specified.
3. Follow the instruction manual when attaching the dust extractor system to the cordless rotary hammer, and when cleaning the dust extractor system, changing its filter, etc.
4. Use only the accessories and attachments that are specified.
Use only the accessories and attachments that are specified in this instruction manual and our company's catalogs.
5. Substances such as silica and asbestos are harmful to the human body. Perform anti-dust measures when working with materials that contain such substances.
6. Wear safety goggles and a dust mask.
7. If any tools or equipment are accidentally dropped or bumped, carefully inspect them to make sure there is no damage, cracks, or deformation.
Using tools or equipment with damage, cracks, or deformation may result in injury.

SYMBOLS**⚠ WARNING**

The following show symbols used for the machine. Be sure that you understand their meaning before use.

	Direct current
V	Rated voltage

**SAVE THESE INSTRUCTIONS
AND
MAKE THEM AVAILABLE TO OTHER USERS
AND
OWNERS OF THIS TOOL!**

FUNCTIONAL DESCRIPTION

NOTE

The information contained in this Instruction Manual is designed to assist you in the safe operation and maintenance of the power tool.

NEVER operate, or attempt any maintenance on the tool unless you have first read and understood all safety instructions contained in this manual.

Some illustrations in this Instruction Manual may show details or attachments that differ from those on your own power tool.

NAME OF PARTS

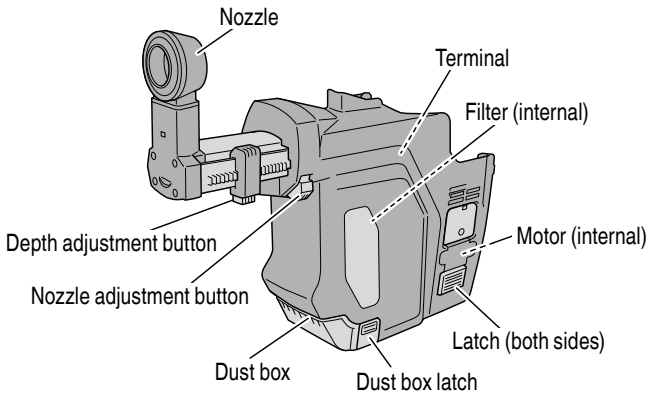
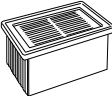



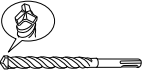
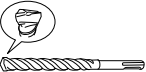


Fig. 1

OPTIONAL ACCESSORIES (sold separately)

<p><input type="radio"/> Filter Replace the filter about once every 100 times the dust extractor system becomes full. Code No. 370520</p> 	<p><input type="radio"/> Dust box set This product set includes a filter cover, filter, and dust box. Code No. 370518</p> 	<p><input type="radio"/> Nozzle seal Replace this part if it becomes cracked or damaged, or if it loses its elasticity. Code No. 370494</p> 
<p><input type="radio"/> Brush cap Replace this part if the bristles are falling out or becoming shorter from friction. Code No. 370496</p> 	<p><input type="radio"/> Deltagon bit (SDS plus shank)</p> 	<p><input type="radio"/> Drill bit (SDS plus shank)</p> 

Optional accessories are subject to change without notice.

SPECIFICATIONS

Model	Dust Extractor System	
Voltage	For use with 18 V or 36 V (depending on the voltage specifications of tool to which it is attached)	
Max. Airflow	12.4 CFM (0.35 m ³ /min)	
Dust box capacity	0.08 gal. (0.3 L)	
Max. stroke	3-15/16" (100 mm)	
Max. hole-drilling depth	3-11/32" (85 mm)	
Diameter of drill	11/64" – 25/32" (4.3 – 20 mm)	
Max. length of drill (effective length)	3-15/16" (100 mm) or shorter	
Dimensions (W × H × D)	3-35/64" × 12-3/64" × 14-57/64" (90 × 306 × 378 mm)	3-35/64" × 12-3/64" × 16-3/16" (90 × 306 × 411 mm)
Weight	4.0 lbs. (1.8 kg)	4.0 lbs. (1.8 kg)

ASSEMBLY AND OPERATION

APPLICATIONS

Dust extractor system specialized for drilling concrete, for use with the following Hitachi cordless rotary hammers: DH18DBL / DH18DBDL / DH18DBQL / DH18DBML / DH36DBL / DH36DBDL / DH36DBQL / DH36DBML / DH36DPA / DH36DPB / DH36DPC / DH36DPD

NOTE

This dust extractor system is only to be used for drilling concrete.

HOW TO USE

1. Attaching and removing the dust extractor system (Fig. 2, 3, 4)

⚠ WARNING

- When attaching, removing, or adjusting the dust extractor system, in order to prevent an unlikely accident, be sure to turn off the tool's switch, and remove the tool's battery and tool bit. (Fig. 2)

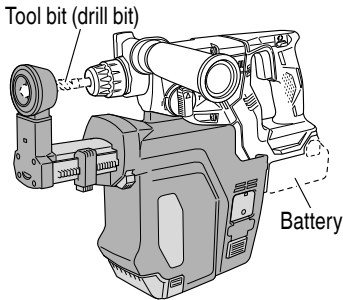


Fig. 2

- Make sure the dust extractor system is fully attached. If not fully attached, the dust extractor system could come loose and result in injury.

- (1) Attaching the dust extractor system (Fig. 3)

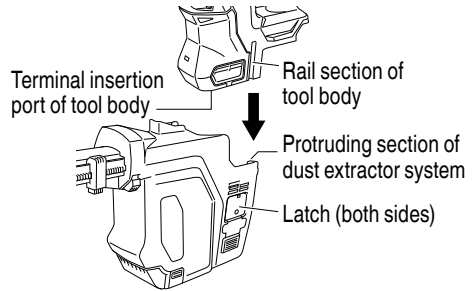


Fig. 3

⚠ CAUTION

To prevent accident, make sure to turn the switch off, then disconnect the battery and the drilling tool.

Place the dust extractor system on a stable platform, and line up and insert the rail section of the tool body into the protruding section of the dust extractor system.

Fully insert the rail section of the tool body until the tool body and the dust extractor system come into full contact with each other, and ensure that the latches on both sides of the dust extractor system are properly and securely fastened.

- (2) Removing the dust extractor system (Fig. 4)

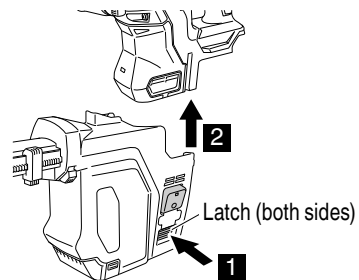


Fig. 4

⚠ CAUTION

To prevent accident, make sure to turn the switch off, then disconnect the battery and the drilling tool.

Press the latches on both sides of the dust extractor system, and remove the tool body from the dust extractor system.

2. Adjusting the nozzle position (Fig. 5, 6, 7)

NOTE

If the nozzle position adjustment button is pressed to release the lock while the nozzle is in any position other than fully extended, the nozzle may pop outward.

- (1) Press the nozzle position adjustment button and ensure that the nozzle is in the fully extended position. (Fig. 5)
- (2) While holding the tool in a way so that the switch does not get pressed, place the nozzle against the material to be drilled. (Fig. 5)

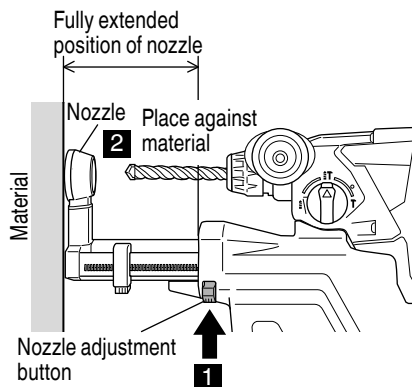


Fig. 5

- (3) While pushing the nozzle adjustment button in the direction of the arrow, press the tool toward the material, allowing the nozzle position to shorten until it reaches the position where the drill bit comes into contact with the material. (Fig. 6)

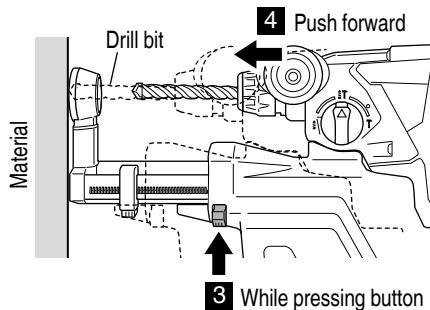


Fig. 6

NOTE

If the nozzle position is shortened before the nozzle adjustment button is pressed, the nozzle won't be locked in position even if the nozzle adjustment button lock is released.

- (4) Release the nozzle adjustment button to lock the position of the nozzle. (Fig. 7)

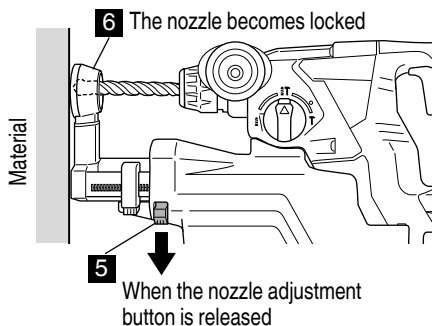


Fig. 7

3. Adjust the drilling depth (Fig. 8, 9)

NOTE

- The maximum drilling depth when using the dust extractor system is 85 mm.
 - The dust extractor system can be used with drill bits with diameters of 4.3 – 20 mm and effective lengths of 50 – 100 mm.
- If using a drill bit with a diameter of greater than 20 mm, remove the dust extractor system.

Press the depth adjustment button in the direction of the arrow to release the lock, move the nozzle to set the stroke equal to the depth that you want to drill, and release the depth adjustment button to lock the position. (Fig. 8)

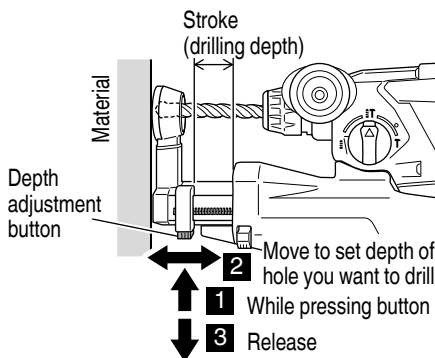


Fig. 8

When the end of the nozzle and the tip of the drill bit are aligned, the distance that the nozzle can move is drilling depth. (Fig. 9)

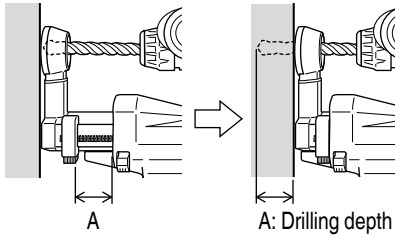


Fig. 9

4. Drilling (Fig. 10, 11, 12)

NOTE

- The dust extractor system is only to be used when drilling concrete. Do not use it while drilling metal or wood.
 - Do not use the dust extractor system with wet concrete or in a wet environment. Doing so may result in a malfunction.
- (1) Grasp the nozzle with your hand and pull it back slightly, and align the tip of the drill bit with the spot to be drilled. (Fig. 10)

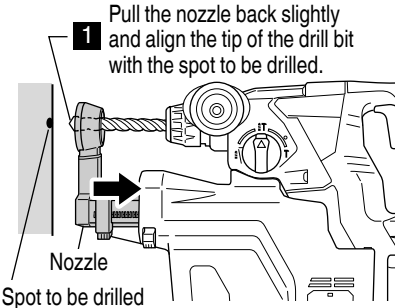


Fig. 10

- (2) Release the nozzle and allow it to make firm contact with the surface of the concrete. (Fig. 11)

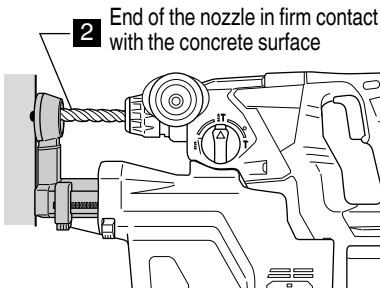


Fig. 11

NOTE

If the nozzle is raised off the surface, the dust extraction performance declines.

- (3) With the end of the nozzle still in firm contact with the surface of the concrete, proceed with drilling. (Fig. 12)

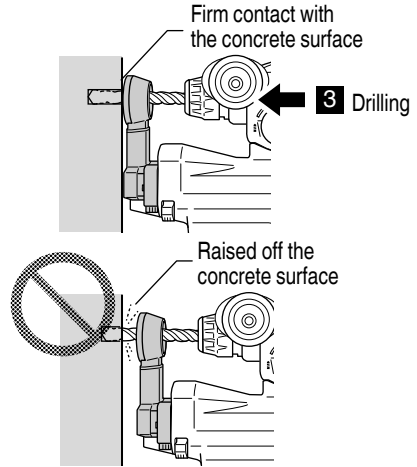


Fig. 12

Delayed stop function

The dust extractor system's internal motor stops after a delay of several seconds from when the tool's switch is released. This allows dust to be extracted without leaving any dust behind.

5. Emptying the dust (Fig. 13, 14, 15)

If too much dust is collected in the dust box, the dust extraction performance declines. Additionally, if the dust box is full, dust may leak out of the dust extractor system. Inspect the dust extractor system regularly, and dispose of the dust before it becomes full.

WARNING

When emptying the dust, in order to prevent an unlikely accident, be sure to turn off the tool's switch and remove the rechargeable battery from the tool body.

CAUTION

Wear a dust mask.

NOTE

Do not directly touch the filter with a hard brush or similar tool, or blast the backside of the filter with compressed air. Also, do not wash the filter with water. Doing so may scratch the filter and/or shorten its life.

- (1) While keeping the dust extractor system level and upright, press and hold the dust box latches and pull the dust box out of the dust extractor system. Dispose of the dust inside. (Fig. 13, 14)

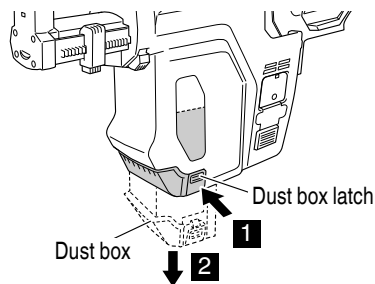


Fig. 13

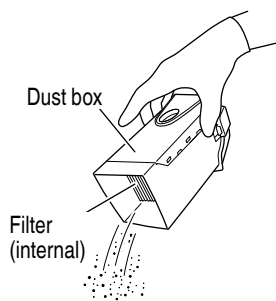
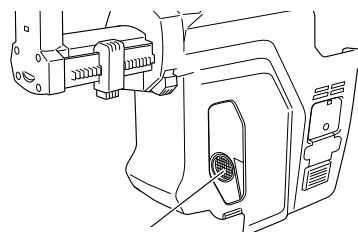


Fig. 14

⚠ CAUTION

To prevent accident, make sure to turn the switch off, then disconnect the battery and the drilling tool.

- (2) When cleaning the filter, face the opening in the dust box downward and tap the dust box gently to knock the dust out. (Fig. 14)
- (3) If dust is adhered to the intake port (mesh covering) or the area around it, clean it off with a soft brush. (Fig. 15)



Dust extractor system intake port (mesh covering)

Fig. 15

⚠ CAUTION

To prevent accident, make sure to turn the switch off, then disconnect the battery and the drilling tool.

6. Replacing the filter (Fig. 16, 17, 18)

If the filter inside the dust box becomes clogged, the dust extraction performance declines.

As a guideline, replace the filter after every 100 times that the dust box becomes full.

⚠ WARNING

When replacing the filter, in order to prevent an unlikely accident, be sure to turn off the tool's switch and remove the battery from the tool body.

- (1) Insert a flat-head screwdriver into the groove on the side of the filter cover and remove the filter cover. (Fig. 16)

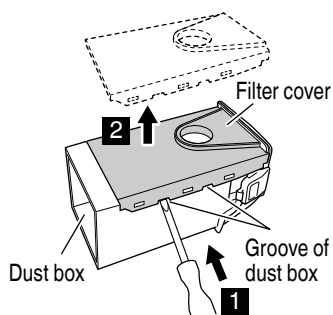


Fig. 16

- (2) Remove the filter from inside, and replace it with a new one. (Fig. 17)

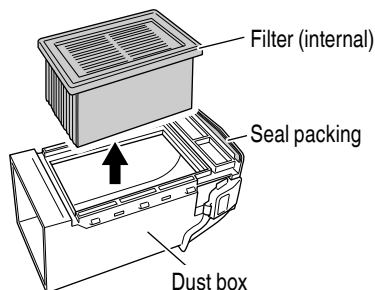


Fig. 17

NOTE

When removing the filter cover, be sure that the seal packing of the dust box does not peel off.

- (3) Press the filter cover against the seal packing of the dust box. While pressing the latch, attach the filter cover so that it fits into the bumps of the dust box, making sure that the latch does not get in the way of the filter cover. (Fig. 18)

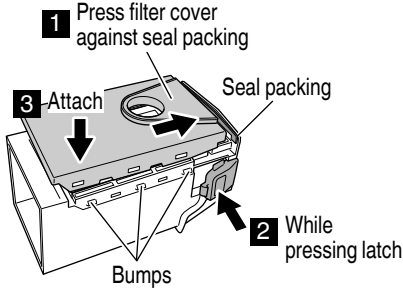


Fig. 18

7. Replacing the nozzle seal and brush cap (Fig. 19, 20)

As the nozzle seal and brush cap wear out, the dust extracting performance declines. If the nozzle seal or brush cap is worn out, replace it with a new one.

⚠ WARNING

When replacing the nozzle seal or brush cap, in order to prevent an unlikely accident, be sure to turn off the tool's switch and remove the battery from the tool body. Also, remove the tool bit.

- (a) Replacing the nozzle seal (Fig. 19)

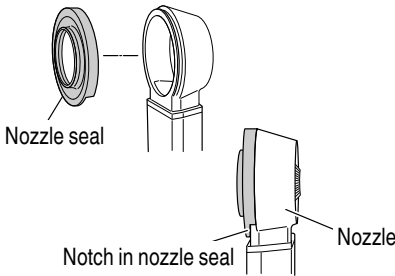


Fig. 19

⚠ CAUTION

To prevent accident, make sure to turn the switch off, then disconnect the battery and the drilling tool.

- ① Remove the nozzle seal as shown in the figure.
- ② Attach a new nozzle seal. Align the nozzle seal so that its notch fits onto the outer shape of the nozzle.

- (b) Replacing the brush cap (Fig. 20)

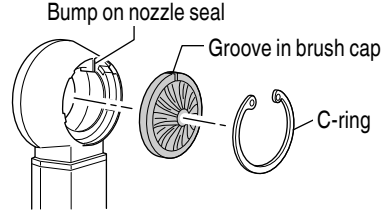


Fig. 20

⚠ CAUTION

To prevent accident, make sure to turn the switch off, then disconnect the battery and the drilling tool.

- ① Use pliers or a similar tool remove the C-ring, and replace the brush cap with a new one.
- ② Align the groove of the new brush cap with the bump on the nozzle and fit them together.
- ③ Reattach the C-ring in its original position, making sure that it is secure and won't fall off.

MAINTENANCE AND INSPECTION

⚠ WARNING

When performing inspections or maintenance, be sure to turn off the tool's switch and remove the dust extractor system from the tool body.

1. Inspecting the body of the dust extractor system

Regularly inspect the places where the various parts of the dust extractor system fit together to make sure there is no rattling or loose parts.

If the dust extractor system is used while parts of it are loose, there is a risk of injury or other accidents. If there is anything abnormal with the dust extractor system, consult the Hitachi Authorized Service Center.

2. Cleaning on the outside

When the power tool is stained, wipe with a soft dry cloth or a cloth moistened with soapy water. Do not use chloric solvents, gasoline or paint thinner, for they melt plastics.

3. Handling the motor

Be careful not to allow oil, water, or other fluids to get inside the internal motor. (Fig. 1 on page 6)

4. Cleaning the terminal (Fig. 21)

The terminal of the dust extractor system is an important component that supplies electrical current to the motor.

After drilling concrete, if there is concrete dust adhered to the terminal, use a soft brush or a similar tool to clean off the adhered concrete dust before using the dust extractor system again.

Additionally, clean the area around the terminal insertion port of the tool body. (Fig. 21)

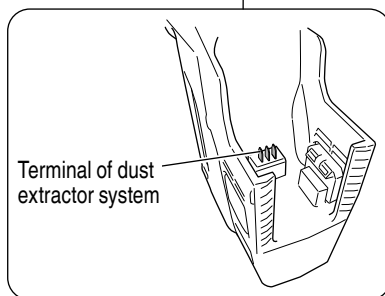
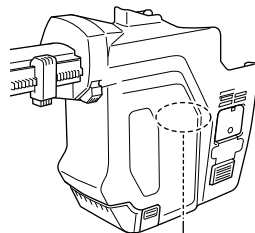
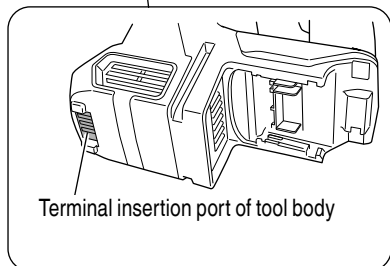
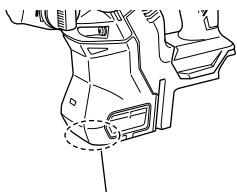


Fig. 21

⚠ CAUTION

To prevent accident, make sure to turn the switch off, then disconnect the battery and the drilling tool.

NOTE

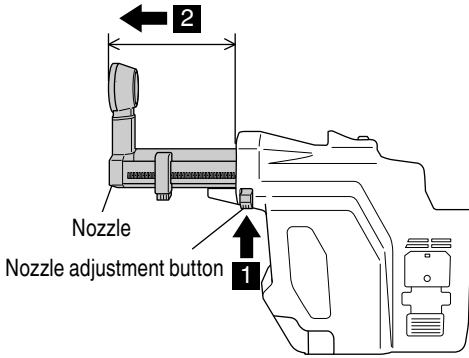
Using the dust extractor system while there is concrete dust still adhered to it may result in a faulty terminal connection and may cause a malfunction.

5. Storage

- Store the power tool in a place in which the temperature is less than 50°C and out of reach of children.

- When storing the dust extractor system, press the nozzle adjustment button to put the nozzle in the fully extended position.

Keeping the nozzle contracted inside the dust extractor system may result in its pressing force becoming weaker. (Fig. 22)



Important notice on the batteries for the Hitachi cordless power tools
Please always use one of our designated genuine batteries. We cannot guarantee the safety and performance of our cordless power tool when used with batteries other than these designated by us, or when the battery is disassembled and modified (such as disassembly and replacement of cells or other internal parts).

NOTE

Due to HITACHI's continuing program of research and development, the specifications herein are subject to change without prior notice.

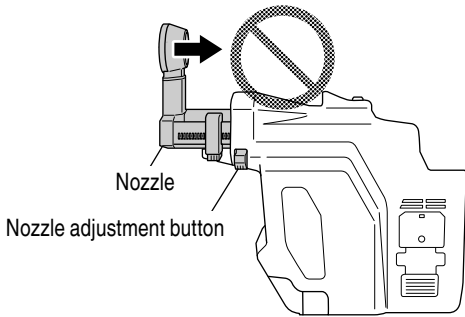


Fig. 22

⚠ CAUTION
To prevent accident, make sure to turn the switch off, then disconnect the battery and the drilling tool.

○ If the nozzle doesn't return to the fully extended position, pull it outward with your hand. Repeatedly extending and contracting it will help it recover.

⚠ CAUTION
In the operation and maintenance of power tools, the safety regulations and standards prescribed in each country must be observed.

TROUBLESHOOTING

Use the inspections in the table below if the tool does not operate normally. If this does not remedy the problem, consult your dealer or the Hitachi Authorized Service Center.

Symptom	Possible cause	Remedy
Tool doesn't run.	There is dust adhered to the terminal, resulting in a faulty connection.	Remove any dust from the terminal parts of the dust extractor system and the tool body.
The dust extraction performance has declined, or dust is leaking out of the dust extractor system.	The dust case is full.	Empty the dust from the dust case and clean the dust case.
	The filter inside the dust case is clogged.	Empty the dust from the dust case and clean the filter. Or, replace the filter with a new one.
	The filter, brush cap, or nozzle seal is cracked, damaged, or worn out.	Replace it with a new one.
The position of the nozzle won't lock.	The following incorrect steps were performed: ① The nozzle was set to the desired position ② The nozzle adjustment button was pressed	Perform the following steps: ① While pressing and holding the nozzle adjustment button... ② Set the nozzle to the desired position ③ Release the nozzle adjustment button

CONSIGNES DE SÉCURITÉ IMPORTANTES

Lire toutes les précautions de sécurité, les avertissements et les instructions de fonctionnement dans ce mode d'emploi avant d'utiliser ou d'entretenir cet outil motorisé.

La plupart des accidents causés lors de l'utilisation ou de l'entretien de l'outil motorisé proviennent d'un non respect des règles ou précautions de base de sécurité. Un accident peut la plupart du temps être évité si l'on reconnaît une situation de danger potentiel avant qu'elle ne se produise, et en observant les procédures de sécurité appropriées.

Les précautions de base de sécurité sont mises en évidence dans la section "SECURITE" de ce mode d'emploi et dans les sections qui contiennent les instructions de fonctionnement et d'entretien.

Les dangers qui doivent être évités pour prévenir des blessures corporelles ou un endommagement de la machine sont identifiés par AVERTISSEMENTS sur l'outil motorisé et dans ce mode d'emploi.

NE JAMAIS utiliser cet outil motorisé d'une manière qui n'est pas spécifiquement recommandée par HITACHI.

SIGNIFICATION DES MOTS D'AVERTISSEMENT

AVERTISSEMENT indique des situations potentiellement dangereuses qui, si elles sont ignorées, pourraient entraîner la mort ou de sérieuses blessures.

PRÉCAUTION indique des situations dangereuses potentielles qui, si elles ne sont pas évitées, peuvent entraîner de mineures et légères blessures ou endommager la machine.

REMARQUE met en relief des informations essentielles.

SÉCURITÉ

AVERTISSEMENTS DE SÉCURITÉ GÉNÉRAUX CONCERNANT LES OUTILS ÉLECTRIQUES

AVERTISSEMENT

Lire tous les avertissements de sécurité et toutes les instructions

Tout manquement à observer ces avertissements et instructions peut engendrer des chocs électriques, des incendies et/ou des blessures graves.

Conservez tous les avertissements et toutes les instructions pour vous y référer ultérieurement.

Le terme "outil électrique", utilisé dans les avertissements, se réfère aux outils électriques (câblé) ou aux outils à piles (sans fil).

1) Sécurité de l'aire de travail

a) **Maintenir l'aire de travail propre et bien éclairée.**

Les endroits encombrés ou sombres sont propices aux accidents.

b) **Ne pas utiliser d'outils électriques en présence de liquides, gaz ou poussière inflammables, au risque de provoquer une explosion.**

Les outils électriques créent des étincelles susceptibles d'enflammer la poussière.

c) **Ne pas laisser les enfants et les visiteurs s'approcher de vous lorsque vous utilisez un outil électrique.**

Les distractions peuvent faire perdre le contrôle.

2) Sécurité électrique

a) **Les prises de l'outil électrique doivent correspondre à la prise secteur.**

Ne jamais modifier la prise.

Ne pas utiliser d'adaptateurs avec les outils électriques mis à la masse.

Les prises non modifiées et les prises secteurs correspondantes réduisent les risques de choc électrique.

b) **Éviter tout contact avec les surfaces mises à la masse telles que les tuyaux, radiateurs, bandes et réfrigérateurs.**

Le risque de choc électrique est accru en cas de mise à la masse du corps.

c) **Ne pas exposer les outils électriques à la pluie ou à des conditions humides.**

Si l'eau pénètre dans l'outil, cela augmente les risques de choc électrique.

d) **Ne pas utiliser le cordon à tort. Ne jamais utiliser le cordon pour transporter ou débrancher l'outil électrique.**

Maintenir le cordon loin de la chaleur, de l'huile, des bords pointus ou des pièces mobiles.

Les cordons endommagés ou usés augmentent les risques de choc électrique.

- e) **En cas d'utilisation d'un outil électrique à l'extérieur, utiliser un cordon de rallonge adapté à un usage extérieur.**
L'utilisation d'un cordon adapté à l'usage extérieur réduit les risques de choc électrique.
- f) **Si vous devez utiliser un outil électrique dans un endroit humide, utilisez une alimentation protégée contre les courants résiduels.**
L'utilisation d'un dispositif de protection contre les courants résiduels réduit le risque de choc électrique.
- 3) **Sécurité personnelle**
- a) **Restez alerte, regarder ce que vous faites et usez de votre bon sens en utilisant un outil électrique.**
Ne pas utiliser d'outil électrique si vous êtes sous l'influence de drogues, d'alcool ou de médicaments.
Pendant l'utilisation d'outils électrique, un instant d'inattention peut entraîner des blessures graves.
- b) **Utiliser un équipement de protection individuelle. Toujours porter des verres de protection.**
L'utilisation d'équipements de protection tels que les masques anti-poussière, les chaussures de sécurité anti-dérapantes, les casques ou les protections auditives dans des conditions appropriées réduisent les risques de blessures.
- c) **Empêcher les démarrages intempestifs. Veiller à ce que l'interrupteur soit en position d'arrêt avant de brancher à une source d'alimentation et/ou une batterie, de ramasser l'outil au sol ou de le transporter.**
Transporter les outils électriques avec le doigt sur l'interrupteur ou brancher les outils électriques avec l'interrupteur en position de marche peut entraîner des accidents.
- d) **Retirer toute clé de sécurité ou clé avant de mettre l'outil électrique en marche.**
Laisser une clé ou une clé de sécurité sur une partie mobile de l'outil électrique peut engendrer des blessures.
- e) **Ne pas trop se pencher. Toujours garder une bonne assise et un bon équilibre pendant le travail.**
Cela permet un meilleur contrôle de l'outil électrique dans des situations imprévisibles.
- f) **Porter des vêtements adéquats. Ne pas porter de vêtements amples ni de bijoux. Maintenir les cheveux, les vêtements et les gants loin des pièces mobiles.**

Les vêtements amples ou les cheveux longs peuvent se prendre dans les pièces mobiles.

- g) **En cas de dispositifs destinés au raccordement d'installations d'extraction et de recueil de la poussière, veiller à ce qu'ils soient correctement raccordés et utilisés.**
L'utilisation d'un dispositif de collecte de la poussière peut réduire les dangers associés à la poussière.
- 4) **Utilisation et entretien d'un outil électrique**
- a) **Ne pas forcer sur l'outil électrique. Utiliser l'outil électrique adapté à vos travaux.**
Le bon outil électrique fera le travail mieux et en toute sécurité au régime pour lequel il a été conçu.
- b) **Ne pas utiliser l'outil électrique si l'interrupteur ne le met pas en position de marche et d'arrêt.**
Tout outil ne pouvant être contrôlé par l'interrupteur est dangereux et doit être réparé.
- c) **Débrancher la prise ou retirer la batterie avant de procéder à des réglages, au remplacement des accessoires ou au stockage des outils électriques.**
Ces mesures préventives de sécurité réduisent les risques de démarrage accidentel de l'outil électrique.
- d) **Stockez les outils électriques inutilisés hors de la portée des enfants et ne pas laisser des personnes non familiarisées avec l'outil ou ces instructions utiliser l'outil électrique.**
Les outils électriques sont dangereux entre les mains d'utilisateurs non habilités.
- e) **Entretenir les outils électriques. Vérifier l'absence de mauvais alignement ou d'arrêt, d'endommagement de pièces ou toute autre condition susceptible d'affecter l'opération de l'outil.**
Si l'outil est endommagé, le faire réparer avant utilisation.
De nombreux accidents sont dus à des outils mal entretenus.
- f) **Maintenir les outils coupants aiguisés et propres.**
Des outils coupants bien entretenus avec des bords aiguisés sont moins susceptibles de se coincer et plus simples à contrôler.
- g) **Utiliser l'outil électrique, les accessoires et les mèches de l'outil, etc. conformément à ces instructions en tenant compte des conditions d'utilisation et du travail à réaliser.**
L'utilisation de l'outil électrique pour des opérations différentes de celles pour lesquelles il a été conçu est dangereuse.
- 5) **Utilisation et entretien de la batterie**
- a) **Recharger la batterie uniquement avec le chargeur recommandé par le fabricant.**

Un chargeur inadéquat pour le type de batterie peut entraîner un risque d'incendie en cas d'utilisation avec une autre batterie.

b) Utiliser les outils électriques uniquement avec les batteries spécifiées.

L'utilisation d'autres batteries peut entraîner un risque de blessures et d'incendie.

c) Lorsque la batterie est inutilisée, la garder à l'écart d'objets métalliques comme des trombones, des pièces de monnaie, des clés, des clous, des vis ou autres petits objets métalliques pouvant raccorder les bornes.

La connexion des bornes peut entraîner des blessures ou un incendie.

d) En cas d'utilisation dans des conditions extrêmes, du liquide peut être émis de la batterie. Éviter tout contact. en cas de contact accidentel, rincer à l'eau. Si le liquide entre en contact avec les yeux, consulter un médecin.

Le liquide émis par la batterie peut entraîner des irritations et des brûlures.

6) Service

a) Faire entretenir l'outil électrique par un technicien habilité à l'aide de pièces de rechange identiques exclusivement.

Cela garantira le maintien de la sécurité de l'outil électrique.

⚠ PRECAUTIONS

Maintenir les enfants et les personnes infirmes éloignés.

Quand les outils ne sont pas utilisés, ils doivent être rangés hors de portée des enfants et des personnes infirmes.

—AVERTISSEMENT—

Pour réduire tout risque de blessure, l'utilisateur doit lire le mode d'emploi.

AVERTISSEMENT

La poussière résultant d'un ponçage, d'un sciage, d'un meulage, d'un perçage ou de toute autre activité de construction renferme des produits chimiques qui sont connus par l'Etat de Californie pour causer des cancers, des défauts de naissance et autres anomalies de reproduction. Nous énumérons ci-dessus certains de ces produits chimiques:

- Plomb des peintres à base de plomb,
- Silice cristalline des briques et du ciment et autres matériaux de maçonnerie, et
- Arsenic et chrome du bois d'oeuvre traité chimiquement.

Le risque d'exposition à ces substances varie en fonction de la fréquence d'exécution de ce genre de travail. Pour réduire l'exposition à ces produits chimiques, travailler dans un lieu bien ventilé, et porter un équipement de protection agréé, par exemple un masque anti-poussière spécialement conçu pour filter les particules microscopiques.


AVERTISSEMENTS DE SÉCURITÉ POUR LE SYSTÈME EXTRACTEUR DE POUSSIÈRE

1. Avant d'utiliser le marteau rotatif sans fil, s'assurer de lire attentivement son manuel d'instruction.
2. Ne pas utiliser l'appareil à d'autres fins que celles spécifiées.
3. Suivez le manuel d'instruction lors de la fixation du système extracteur de poussière au marteau rotatif sans fil, et lors du nettoyage du système extracteur de poussière, du changement de son filtre, etc.
4. Utiliser seulement les accessoires et équipements spécifiés.
Utiliser seulement les accessoires et équipements spécifiés dans ce manuel d'instructions et dans les catalogues de notre compagnie.
5. Les substances telles que l'amiante et la silice sont nocives pour le corps humain. Effectuez les mesures anti-poussière quand vous travaillez avec des matériaux contenant ces substances.
6. Porter des lunettes à coques et un masque antipoussière.
7. Si un outil ou un équipement échappe accidentellement ou subit un impact, l'inspecter soigneusement pour s'assurer qu'il n'y a pas de dommages, fissures ou de déformations.
L'utilisation d'outils ou d'équipement présentant des dommages, fissures ou déformations peut causer des blessures.

SYMBOLES

⚠ AVERTISSEMENT

Les symboles suivants sont utilisés pour la machine. Voyez bien à ce que vous compreniez leur signification avant utilisation.

	Courant direct
V	Tension nominale

**CONSERVER CES INSTRUCTIONS
ET
LES METTRE A LA DISPOSITION DES AUTRES
UTILISATEURS
ET
PROPRIETAIRES DE CET OUTIL!**

DESCRIPTION FONCTIONNELLE

REMARQUE

Les informations contenues dans ce mode d'emploi sont conçues pour assister l'utilisateur dans une utilisation sans danger et un entretien de l'outil motorisé.

NE JAMAIS utiliser ni entreprendre une révision de l'outil sans avoir d'abord lu et compris toutes les instructions de sécurité contenues dans ce manuel.

Certaines illustrations dans ce mode d'emploi peuvent montrer des détails ou des accessoires différents de ceux de l'outil motorisé utilisé.

NOM DES PARTIES

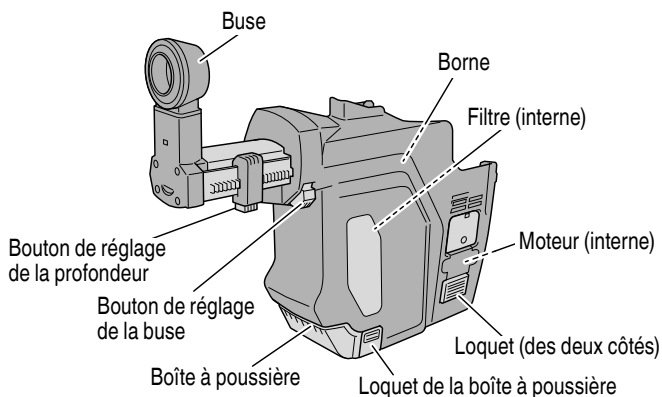
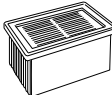
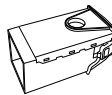


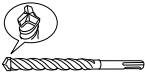
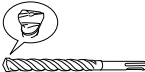


Fig. 1

ACCESSOIRES EN OPTION (vendus séparément)

<p>○ Filtre Remplacer le filtre environ toutes les 100 fois que le système extracteur de poussière est plein. Code N° 370520</p> 	<p>○ Ensemble de la boîte à poussière Cet ensemble comprend un couvercle de filtre, un filtre et une boîte à poussière. Code N° 370518</p> 	<p>○ Joint de buse Remplacer cette pièce si elle est craquelée ou endommagée, ou si elle perd son élasticité. Code N° 370494</p> 
<p>○ Capuchon de la brosse Remplacer cette pièce si les poils tombent ou raccourcissent à cause de la friction. Code N° 370496</p> 	<p>○ Mèche Deltagon (Tige SDS plus)</p> 	<p>○ Mèche de foret (Tige SDS plus)</p> 

Les accessoires en option sont sujets à changement sans préavis.

SPÉCIFICATIONS

Modèle	Système extracteur de poussière	
Tension	Pour une utilisation à 18 V ou 36 V (selon les spécifications de tension de l'outil sur lequel il est fixé)	
Débit d'air max.	12.4 CFM (0,35 m ³ /min)	
Capacité de la boîte à poussière	0.08 gal. (0.3 L)	
Course max.	3-15/16" (100 mm)	
Profondeur max. de perçage de trou	3-11/32" (85 mm)	
Diamètre de foret	11/64" – 25/32" (4.3 – 20 mm)	
Longueur max. de foret (longueur effective)	3-15/16" (100 mm) ou moins	
Dimensions (L × H × P)	3-35/64" × 12-3/64" × 14-57/64" (90 × 306 × 378 mm)	3-35/64" × 12-3/64" × 16-3/16" (90 × 306 × 411 mm)
Poids	4.0 lbs. (1.8 kg)	4.0 lbs. (1.8 kg)

ASSEMBLAGE ET FONCTIONNEMENT

APPLICATIONS

Système extracteur de poussière spécialisé pour le perçage du béton, pour une utilisation avec les marteaux rotatifs sans fil Hitachi suivants :

DH18DBL / DH18DBDL / DH18DBQL / DH18DBML
DH36DBL / DH36DBDL / DH36DBQL / DH36DBML
DH36DPA / DH36DPB / DH36DPC / DH36DPD

REMARQUE

Ce système extracteur de poussière est utilisé uniquement pour le perçage du béton.

COMMENT UTILISER

1. Fixation et retrait du système extracteur de poussière (Fig. 2, 3, 4)

⚠ AVERTISSEMENT

- Lors de la fixation, du retrait ou de l'ajustement du système extracteur de poussière, pour prévenir un accident peu probable, s'assurer d'éteindre le commutateur de l'outil, et retirer la batterie et la mèche de l'outil. (Fig. 2)

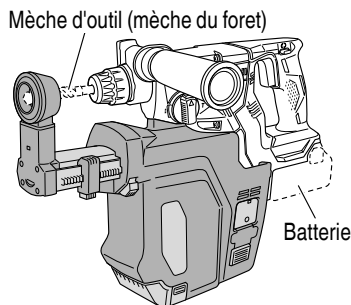


Fig. 2

- Assurez-vous que le système extracteur de poussière soit complètement attaché. S'il n'est pas bien fixé, le système extracteur de poussière peut prendre du jeu et provoquer des blessures.

- (1) Installation du système extracteur de poussière (Fig. 3)

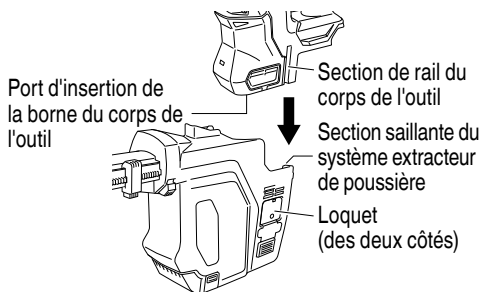


Fig. 3

⚠ PRÉCAUTION

Pour éviter les accidents, veuillez à couper l'interrupteur, puis à déconnecter la batterie et l'outil de perçage.

Placer le système extracteur de poussière sur une surface stable, puis aligner et insérer la section de rail du corps de l'outil dans la section saillante du système extracteur de poussière.

Insérer complètement la section de rail du corps de l'outil jusqu'à ce que le corps de l'outil et le système extracteur de poussière entrent en contact complet l'un avec l'autre, et veiller à ce que les loquets situés de part et d'autre du système extracteur de poussière soient correctement et solidement fixés.

- (2) Dépose du système extracteur de poussière (Fig. 4)

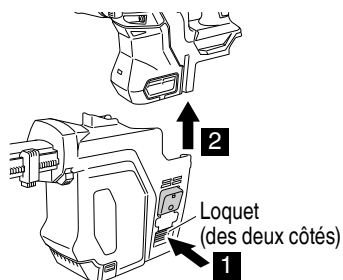


Fig. 4

⚠ PRÉCAUTION

Pour éviter les accidents, veuillez à couper l'interrupteur, puis à déconnecter la batterie et l'outil de perçage.

Appuyer sur les loquets situés de part et d'autre du système extracteur de poussière, et retirer le corps de l'outil du système extracteur de poussière.

2. Réglage de la position de la buse (Fig. 5, 6, 7)

REMARQUE

Si le bouton de réglage de la position de la buse est appuyé pour débloquer la serrure alors que la buse n'est pas complètement déployée, la buse peut sauter vers l'extérieur.

- (1) Appuyer sur le bouton de réglage de la position de la buse et s'assurer que la buse est complètement déployée. (Fig. 5)
- (2) Tout en maintenant l'outil de telle manière à ce que le commutateur ne soit pas pressé, placer la buse contre le matériau à percer. (Fig. 5)

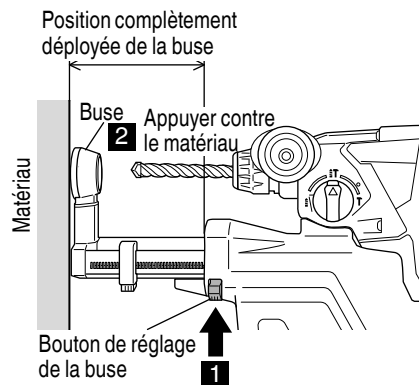


Fig. 5

- (3) Tout en appuyant sur le bouton de réglage de la buse dans le sens de la flèche, presser sur l'outil vers le matériau, ce qui permet à la position de la buse de baisser jusqu'à ce qu'elle atteigne la position où le foret entre en contact avec le matériau. (Fig. 6)

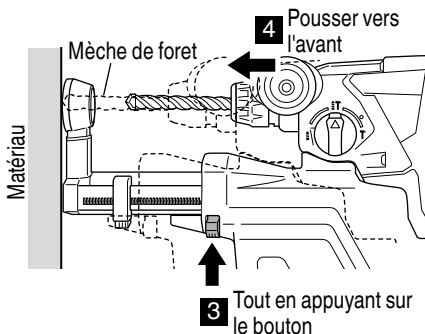


Fig. 6

REMARQUE

Si la position de la buse est réduite avant d'avoir appuyé sur le bouton de réglage de la buse, la buse ne sera pas verrouillée dans sa position, même si le bouton de réglage de la buse est relâché.

- (4) Relâcher le bouton d'ajustement de la buse pour verrouiller la position de la buse. (Fig. 7)

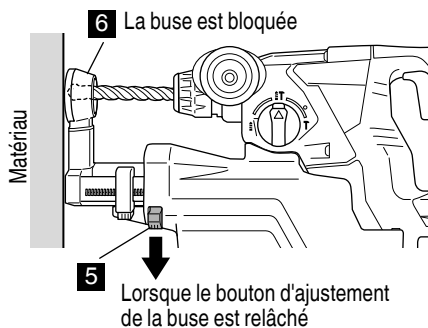


Fig. 7

3. Réglage de la profondeur de perçage (Fig. 8, 9)

REMARQUE

- La profondeur maximale de perçage lors de l'utilisation du système extracteur de poussière est de 85 mm.
- Le système extracteur de poussière peut être utilisé avec des mèches de foret de diamètres de 4.3 – 20 mm et de longueur effective de 50 – 100 mm. Lors de l'utilisation d'une mèche de foret d'un diamètre supérieur à 20 mm, retirer le système extracteur de poussière.

Appuyer sur le bouton de réglage de la profondeur dans le sens de la flèche pour déverrouiller, déplacer la buse pour régler la course en la faisant correspondre à la profondeur de perçage souhaitée, puis relâcher le bouton de réglage de la profondeur pour verrouiller la position. (Fig. 8)

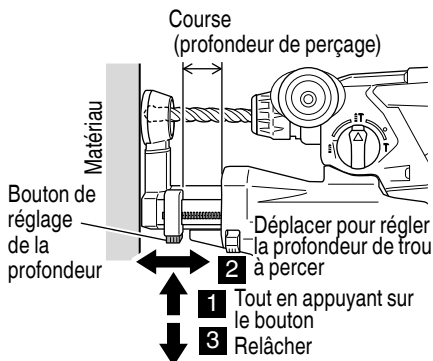


Fig. 8

Lorsque l'extrémité de la buse et de la pointe du foret sont alignées, la distance sur laquelle la buse peut être déplacée est la même que la profondeur de perçage. (Fig. 9)

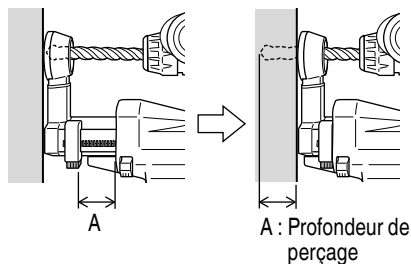


Fig. 9

4. Perçage (Fig. 10, 11, 12)

REMARQUE

- Le système extracteur de poussière doit être utilisé seulement pour le perçage du béton.
Ne pas l'utiliser pour le perçage sur du métal ou du bois.
 - Ne pas utiliser le système extracteur de poussière sur du béton mouillé ou dans un environnement humide. Cela risque de provoquer un dysfonctionnement.
- (1) Saisir la buse avec la main et la tirer légèrement vers l'arrière, puis aligner l'extrémité du foret avec l'endroit à percer. (Fig. 10)

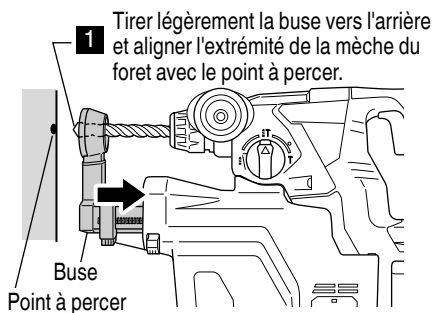


Fig. 10

- (2) Relâcher la buse et la laisser effectuer un contact ferme avec la surface du béton. (Fig. 11)

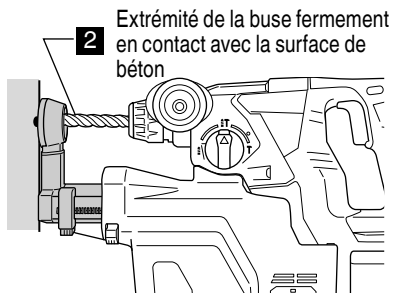


Fig. 11

REMARQUE

Si la buse dépasse de la surface, la performance d'extraction de poussière se dégrade.

- (3) En maintenant l'extrémité de la buse fermement en contact avec la surface du béton, procéder au perçage. (Fig. 12)

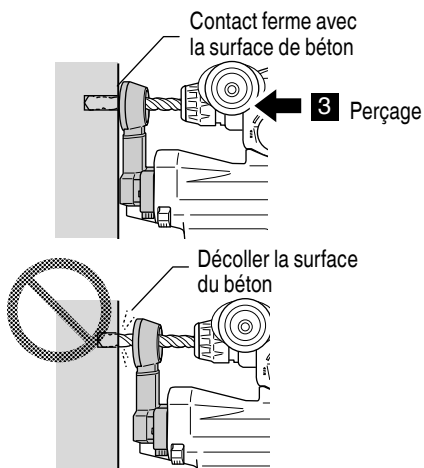


Fig. 12

Fonction d'arrêt différé

Le moteur interne du système extracteur de poussière s'arrête après un délai de quelques secondes à partir du moment où le commutateur de l'outil est relâché. Cela permet à la poussière d'être extraite sans laisser aucune poussière derrière.

5. Vidange de la poussière (Fig. 13, 14, 15)

S'il y a trop de poussière accumulée dans la boîte à poussière, les performances se dégradent. De plus, lorsque la boîte à poussière est pleine, de la poussière risque de fuir du système extracteur de poussière.

Inspecter régulièrement le système extracteur de poussière et jeter la poussière avant qu'il ne soit plein.

⚠️ AVERTISSEMENT

Lors de la vidange de la poussière, afin d'éviter tout risque d'accident, s'assurer d'éteindre le commutateur de l'outil et retirer la batterie rechargeable du corps de l'outil.

⚠️ PRÉCAUTION

Porter un masque antipoussière.

REMARQUE

Ne pas toucher directement le filtre avec une brosse dure ou un outil similaire, ou procéder à un soufflage à l'air comprimé à l'arrière du filtre.

De même, ne pas laver le filtre à l'eau.

Cela pourrait rayer le filtre et/ou raccourcir sa durée de vie.

- (1) Tout en gardant le système extracteur de poussière à niveau et bien droit, enfoncer et tenir les loquets de la boîte à poussière, puis tirer la boîte à poussière hors du système extracteur de poussière. Jeter la poussière se trouvant à l'intérieur. (Fig. 13, 14)

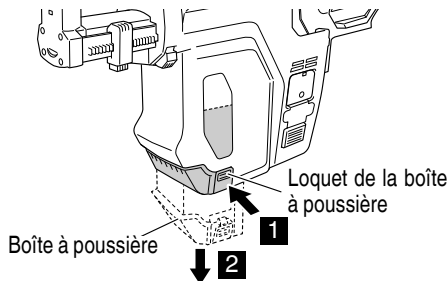


Fig. 13

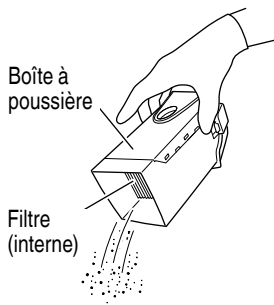
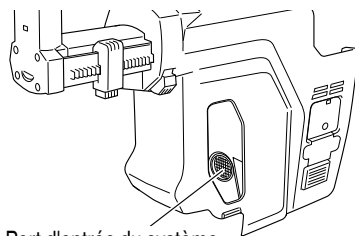


Fig. 14

⚠️ PRÉCAUTION

Pour éviter les accidents, veillez à couper l'interrupteur, puis à déconnecter la batterie et l'outil de perçage.

- (2) Lors du nettoyage du filtre, orienter l'ouverture de la boîte à poussière vers le bas et taper délicatement sur la boîte à poussière pour en faire sortir toute la poussière. (Fig. 14)
- (3) Si de la poussière adhère au port d'entrée (maillage de recouvrement) ou à la zone qui l'entoure, nettoyer les impuretés à l'aide d'une brosse à poils souples. (Fig. 15)



Port d'entrée du système extracteur de poussière (maillage de recouvrement)

Fig. 15

⚠️ PRÉCAUTION

Pour éviter les accidents, veillez à couper l'interrupteur, puis à déconnecter la batterie et l'outil de perçage.

6. Remplacement du filtre (Fig. 16, 17, 18)

Si le filtre à l'intérieur de la boîte à poussière est obstrué, les performances d'extraction de poussière diminuent.

A titre indicatif, remplacer le filtre toutes les 100 fois que la boîte à poussière est pleine.

⚠️ AVERTISSEMENT

Lors du remplacement du filtre, pour prévenir un accident peu probable s'assurer d'éteindre le commutateur de l'outil et retirer la batterie du corps de l'outil.

- (1) Insérer un tournevis à lame plate dans la rainure située sur le côté du couvercle du filtre, puis retirer le couvercle du filtre. (Fig. 16)

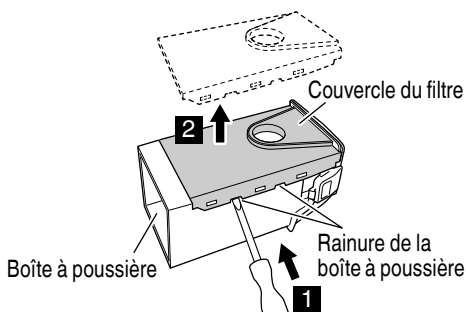


Fig. 16

- (2) Retirer le filtre depuis l'intérieur et le remplacer par un filtre neuf. (Fig. 17)

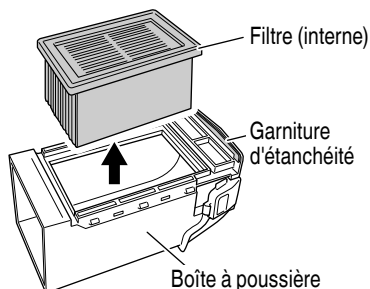


Fig. 17

REMARQUE

Lors du retrait du couvercle du filtre, s'assurer que la garniture d'étanchéité de la boîte à poussière ne se détache pas.

- (3) Appuyer le couvercle du filtre contre la garniture d'étanchéité de la boîte à poussière. Tout en appuyant sur le loquet, fixer le couvercle du filtre de manière à ce qu'il se place dans les bossés de la boîte à poussière, en veillant à ce que le loquet ne fasse pas obstacle au couvercle du filtre. (Fig. 18)

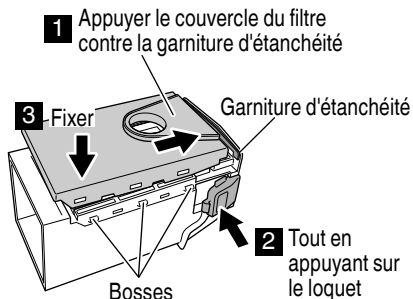


Fig. 18

7. Remplacement du joint de la buse et le capuchon de la brosse (Fig. 19, 20)

Au fur et à mesure que le joint de la buse et le capuchon de la brosse s'usent, les performances d'extraction de poussière déclinent.

Si le joint de la buse ou le capuchon de la brosse est usé, le remplacer par un neuf.

⚠ AVERTISSEMENT

Lors du remplacement du joint de la buse ou du capuchon de la brosse, pour prévenir un accident peu probable s'assurer d'éteindre le commutateur de l'outil et retirer la batterie du corps de l'outil.

En outre, retirer la mèche de l'outil.

- (a) Remplacement du joint de la buse (Fig. 19)

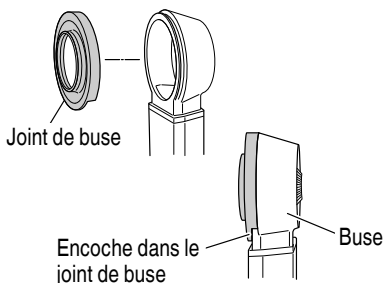


Fig. 19

⚠ PRÉCAUTION

Pour éviter les accidents, veillez à couper l'interrupteur, puis à déconnecter la batterie et l'outil de perçage.

- ① Retirer le joint de la buse comme indiqué sur la figure.
 - ② Fixer un nouveau joint de buse. Aligner le joint de la buse de telle sorte que son encoche s'imbrique dans la forme externe de la buse.
- (b) Remplacement du capuchon de la brosse (Fig. 20)

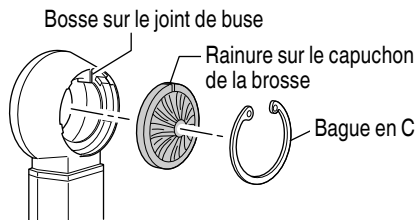


Fig. 20

⚠ PRÉCAUTION

Pour éviter les accidents, veillez à couper l'interrupteur, puis à déconnecter la batterie et l'outil de perçage.

- ① Utiliser des pinces ou un outil similaire pour retirer la bague en C, puis remplacer le capuchon de la brosse par un neuf.
- ② Aligner la rainure du nouveau capuchon de brosse avec la butée sur la buse et les imbriquer ensemble.
- ③ Remettre la bague en C dans sa position d'origine, en veillant à ce qu'elle soit bien en place et ne risque pas de se détacher.

ENTRETIEN ET INSPECTION

⚠ AVERTISSEMENT

Lors de l'exécution des inspections ou de l'entretien, veiller à éteindre le commutateur de l'outil et retirer le système extracteur de poussière du corps de l'outil.

1. Inspection du corps du système extracteur de poussière

Contrôler régulièrement les lieux où les différentes pièces du système extracteur de poussière s'imbriquent afin de s'assurer qu'il n'y a aucun cliquetis ou aucune pièce desserrée.

Si le système d'extraction de poussière est utilisé alors que certaines pièces sont desserrées, il y a un risque de blessure ou d'autres accidents. Si une anomalie survient avec le système extracteur de poussière, consulter le centre de service après-vente Hitachi agréé.

2. Nettoyage de l'extérieur

Lorsque l'outil électrique est sale, l'essuyer avec un chiffon sec et doux ou un chiffon imbibé d'eau savonneuse. Ne pas utiliser de solvant au chlore, d'essence ou de diluant, car ils font fondre les plastiques.

3. Manipulation du moteur

Veiller à ne pas laisser d'huile, d'eau, ni aucun autre liquide pénétrer à l'intérieur du moteur interne. (Fig. 1, page 20)

4. Nettoyage de la borne (Fig. 21)

La borne du système extracteur de poussière est un composant important qui fournit le courant électrique au moteur.

Après le perçage du béton, si de la poussière de béton adhère à la borne, utiliser une brosse souple ou un outil similaire pour enlever la poussière de béton avant d'utiliser à nouveau le système extracteur de poussière.

De plus, nettoyer la zone autour du port d'insertion de la borne du corps de l'outil. (Fig. 21)

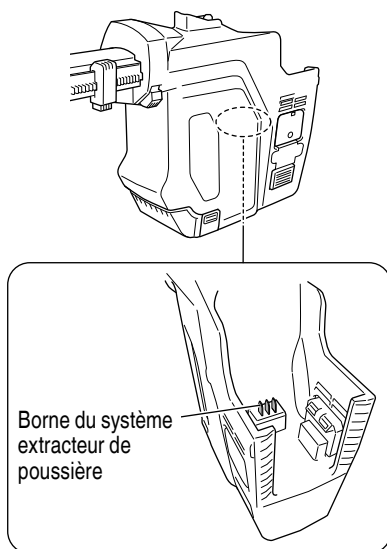
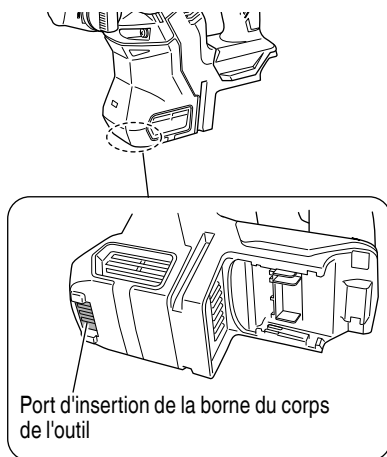


Fig. 21

⚠ PRÉCAUTION

Pour éviter les accidents, veuillez à couper l'interrupteur, puis à déconnecter la batterie et l'outil de perçage.

REMARQUE

L'utilisation du système extracteur de poussière alors que de la poussière de béton y adhère encore peut entraîner un mauvais fonctionnement de la borne de connexion et peut provoquer un dysfonctionnement.

5. Remisage

- Ranger l'outil électrique dans un endroit où la température est inférieure à 50 °C et hors de portée des enfants.
- Lors du remisage du système extracteur de poussière, appuyer sur le bouton d'ajustement de la buse afin de mettre la buse en position complètement déployée. Maintenir la buse contractée à l'intérieur du système extracteur de poussière peut conduire à un affaiblissement de sa force de pression. (Fig. 22)

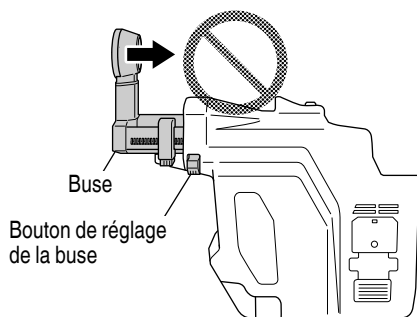
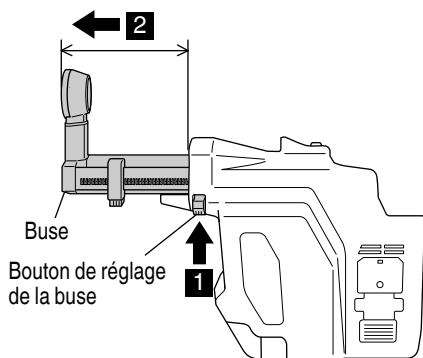


Fig. 22

⚠ PRÉCAUTION

Pour éviter les accidents, veuillez à couper l'interrupteur, puis à déconnecter la batterie et l'outil de perçage.

- Si la buse ne retourne pas à la position complètement déployée, la tirer vers l'extérieur avec la main. La déployer et la contracter à plusieurs reprises l'aidera à récupérer.

⚠ PRÉCAUTION

Lors de l'utilisation et de l'entretien d'un outil électrique, respecter les règlements et les normes de sécurité en vigueur dans le pays en question.

Avis important sur les batteries pour outils électriques sans fil Hitachi

Toujours utiliser une de nos batteries originales spécifiées. Nous ne saurions garantir la sécurité et la performance de notre outil électrique sans fil s'il est utilisé avec une batterie autre que celle que nous avons spécifiée, ou encore si la batterie est démontée et modifiée (par exemple, le démontage et remplacement des cellules ou autres composants internes).

REMARQUE

Par suite du programme permanent de recherche et de développement HITACHI, ces spécifications sont sujettes à modifications sans préavis.

DÉPANNAGE

Procéder aux inspections indiquées dans le tableau ci-dessous si l'outil ne fonctionne pas correctement. Si ceci ne résout pas le problème, contacter votre revendeur ou le centre de service après-vente Hitachi agréé.

Symptôme	Cause probable	Solution
L'outil ne fonctionne pas.	Il y a de la poussière adhérant à la borne, causant une défaillance de connexion.	Enlever la poussière des pièces de la borne du système d'extraction de poussière et du corps de l'outil.
Les performances d'extractions de poussière ont diminué, ou de la poussière fuit du système extracteur de poussière.	La boîte à poussière est pleine.	Vider la boîte à poussière de toute la poussière, puis nettoyer la boîte à poussière.
	Le filtre à l'intérieur de la boîte à poussière est obstrué.	Vider la boîte à poussière de toute la poussière, puis nettoyer le filtre. Ou remplacer le filtre par un filtre neuf.
	Le filtre, le capuchon de la brosse, ou le joint de la buse est fissuré, endommagé ou usé.	Le remplacer par un neuf.
La position de la buse ne se verrouille pas.	Les étapes suivantes ont été effectuées de manière incorrecte : ① La buse a été réglée sur la position souhaitée ② Le bouton d'ajustement de la buse a été enfoncé	Suivre les étapes suivantes : ① Tout en appuyant et en maintenant enfoncé le bouton de réglage de la buse... ② Régler la buse sur la position souhaitée ③ Relâcher le bouton d'ajustement de la buse

INSTRUCCIONES IMPORTANTES SOBRE SEGURIDAD

Antes de utilizar o de realizar cualquier trabajo de mantenimiento de esta herramienta eléctrica, lea todas las precauciones de seguridad, advertencias e instrucciones de funcionamiento de este manual de instrucciones.

La mayoría de los accidentes producidos en la operación y el mantenimiento de una herramienta eléctrica se deben a la falta de observación de las normas o precauciones de seguridad. Los accidentes normalmente podrán evitarse reconociendo una situación potencialmente peligrosa a tiempo y siguiendo los procedimientos de seguridad apropiados.

Las precauciones básicas de seguridad se describen en la sección "SEGURIDAD" de este Manual de instrucciones y en las secciones que contienen las instrucciones de operación y mantenimiento.

Para evitar lesiones o el daño de la herramienta eléctrica, los riesgos están identificados con ADVERTENCIAS en dicha herramienta y en este Manual de instrucciones.

NO utilice **NUNCA** esta herramienta eléctrica de ninguna forma que no esté específicamente recomendada por HITACHI.

SIGNIFICADO DE LAS PALABRAS DE SEÑALIZACIÓN

ADVERTENCIA indica situaciones potencialmente peligrosas que, si se ignoran, pueden resultar en la muerte o en lesiones de gravedad.

PRECAUCIÓN indica situaciones potencialmente peligrosas que, de no evitarse, pueden resultar en lesiones menores o moderadas, o causar daños en la herramienta eléctrica.

NOTA acentúa información esencial.

SEGURIDAD

ADVERTENCIAS DE SEGURIDAD GENERAL DE LA HERRAMIENTA ELÉCTRICA

⚠ ADVERTENCIA

Lea todas las instrucciones y todas las advertencias de seguridad.

Si no se siguen las advertencias e instrucciones, podría producirse una descarga eléctrica, un incendio y/o daños graves.

Guarde todas las advertencias e instrucciones para futura referencia.

El término "herramienta eléctrica" en las advertencias hace referencia a la herramienta eléctrica que funciona con la red de suministro (con cable) o a la herramienta eléctrica que funciona con pilas (sin cable).

- 1) **Seguridad en el área de trabajo**
 - a) **Mantenga la zona de trabajo limpia y bien iluminada.**

Las zonas desordenadas o oscuras pueden provocar accidentes.
 - b) **No utilice las herramientas eléctricas en entornos explosivos como, por ejemplo, en presencia de líquidos inflamables, gases o polvo.**

Las herramientas eléctricas crean chispas que pueden hacer que el polvo desprenda humo.
 - c) **Mantenga a los niños y transeúntes alejados cuando utilice una herramienta eléctrica.**

Las distracciones pueden hacer que pierda el control.
- 2) **Seguridad eléctrica**
 - a) **Los enchufes de las herramientas eléctricas tienen que ser adecuados a la toma de corriente.**

No modifique el enchufe.
 - b) **No utilice enchufes adaptadores con herramientas eléctricas conectadas a tierra.**

Si no se modifican los enchufes y se utilizan tomas de corriente adecuadas se reducirá el riesgo de descarga eléctrica.
 - b) **Evite el contacto corporal con superficies conectadas a tierra como tuberías, radiadores y frigoríficos.**

Hay mayor riesgo de descarga eléctrica si su cuerpo está en contacto con el suelo.
 - c) **No exponga las herramientas eléctricas a la lluvia o a la humedad.**

La entrada de agua en una herramienta eléctrica aumentará el riesgo de descarga eléctrica.
 - d) **No utilice el cable incorrectamente. No utilice el cable para transportar, tirar de la herramienta eléctrica o desenchufarla.**

Mantenga el cable alejado del calor, del aceite, de bordes afilados o piezas móviles.

Los cables dañados o enredados aumentan el riesgo de descarga eléctrica.

- e) **Cuando utilice una herramienta eléctrica al aire libre, utilice un cable prolongador adecuado para utilizarse al aire libre.**
La utilización de un cable adecuado para usarse al aire libre reduce el riesgo de descarga eléctrica.
- f) **Si no se puede evitar el uso de una herramienta eléctrica en un lugar húmedo, utilice un suministro protegido mediante un dispositivo de corriente residual (RCD).**
El uso de un RCD reduce el riesgo de descarga eléctrica.
- 3) **Seguridad personal**
- a) **Esté atento, preste atención a lo que hace y utilice el sentido común cuando utilice una herramienta eléctrica.**
No utilice una herramienta eléctrica cuando esté cansado o esté bajo la influencia de drogas, alcohol o medicación.
La distracción momentánea cuando utiliza herramientas eléctricas puede dar lugar a importantes daños personales.
- b) **Utilice un equipo de protección. Utilice siempre una protección ocular.**
El equipo de protección como máscara para el polvo, zapatos de seguridad antideslizantes, casco o protección para oídos utilizado para condiciones adecuadas reducirá los daños personales.
- c) **Evite un inicio involuntario. Asegúrese de que el interruptor está en "off" antes de conectar la herramienta a una fuente de alimentación y/o batería, cogerla o transportarla.**
El transporte de herramientas eléctricas con el dedo en el interruptor o el encendido de herramientas eléctricas con el interruptor encendido puede provocar accidentes.
- d) **Retire las llaves de ajuste antes de encender la herramienta eléctrica.**
Si se deja una llave en una pieza giratoria de la herramienta eléctrica podrían producirse daños personales.
- e) **No se extralimite. Mantenga un equilibrio adecuado en todo momento.**
Esto permite un mayor control de la herramienta eléctrica en situaciones inesperadas.
- f) **Vístase adecuadamente. No lleve prendas sueltas o joyas. Mantenga el pelo, la ropa y los guantes alejados de las piezas móviles.**
La ropa suelta, las joyas y el pelo largo pueden pillarse en las piezas móviles.
- g) **Si se proporcionan dispositivos para la conexión de extracción de polvo e instalaciones de recogida, asegúrese de que están conectados y se utilizan adecuadamente.**

La utilización de un sistema de recogida de polvo puede reducir los riesgos relacionados con el polvo.

- 4) **Utilización y mantenimiento de las herramientas eléctricas**
- a) **No fuerce la herramienta eléctrica. Utilice la herramienta eléctrica correcta para su aplicación.**
La herramienta eléctrica correcta trabajará mejor y de forma más segura si se utiliza a la velocidad para la que fue diseñada.
- b) **No utilice la herramienta eléctrica si el interruptor no la enciende y apaga.**
Las herramientas eléctricas que no pueden controlarse con el interruptor son peligrosas y deben repararse.
- c) **Antes de hacer ajustes, cambiar accesorios o almacenar las herramientas eléctricas, desconecte el enchufe de la fuente eléctrica y/o las baterías de la herramienta.**
Estas medidas de seguridad preventivas reducen el riesgo de que la herramienta eléctrica se ponga en marcha accidentalmente.
- d) **Guarde las herramientas eléctricas que no se utilicen para que no las cojan los niños y no permita que utilicen las herramientas eléctricas personas no familiarizadas con las mismas o con estas instrucciones.**
Las herramientas eléctricas son peligrosas si son utilizadas por usuarios sin formación.
- e) **Mantenimiento de las herramientas eléctricas. Compruebe si las piezas móviles están mal alineadas o unidas, si hay alguna pieza rota u otra condición que pudiera afectar al funcionamiento de las herramientas eléctricas. Si la herramienta eléctrica está dañada, llévela a reparar antes de utilizarla.**
Se producen muchos accidentes por no realizar un mantenimiento correcto de las herramientas eléctricas.
- f) **Mantenga las herramientas de corte afiladas y limpias.**
Las herramientas de corte correctamente mantenidas con los bordes de corte afilados son más fáciles de controlar.
- g) **Utilice la herramienta eléctrica, los accesorios y las brocas de la herramienta, etc. de acuerdo con estas instrucciones, teniendo en cuenta las condiciones laborales y el trabajo que se va a realizar.**
La utilización de la herramienta eléctrica para operaciones diferentes a pretendidas podría dar lugar a una situación peligrosa.
- 5) **Utilización y cuidado de las herramientas a pilas**
- a) **Recargue sólo con el cargador especificado por el fabricante.**

Un cargador que es apto para un tipo de paquete de pilas podría crear un riesgo de incendio cuando se utiliza con otro paquete de pilas.

b) Utilice herramientas eléctricas sólo con paquetes de pilas específicamente diseñados.

La utilización de otros paquetes de pilas podría crear riesgo de daños e incendio.

c) Cuando no se utilice el paquete de pilas, manténgalo alejado de otros objetos metálicos como clips, monedas, llaves, clavos, tornillos u otros objetos metálicos pequeños que puedan hacer una conexión de un terminal a otro.

Si se acortan los terminales de las pilas podrían producirse quemaduras o incendios.

d) Bajos condiciones abusivas, podría expulsarse líquido de la pila; evite todo contacto. En caso de que se produzca contacto accidentalmente, enjuague con agua. Si entra líquido en los ojos, busque ayuda médica.

El líquido expulsado de la pila podría causar irritación o quemaduras.

6) Revisión

a) Lleve su herramienta a que la revise un experto cualificado que utilice sólo piezas de repuesto idénticas.

Esto garantizará el mantenimiento de la seguridad de la herramienta eléctrica.

⚠ PRECAUCIÓN

Mantenga a los niños y a las personas enfermas alejadas.

Cuando no estén siendo usadas las herramientas deben ser almacenadas fuera del alcance de los niños y de las personas enfermas.

—ADVERTENCIA—

Para disminuir el riesgo de lesiones, el usuario debe leer el manual de instrucciones.

ADVERTENCIA

Algunos polvos creados por el lijado mecánico, el aserrado, el esmerilado, el taladrado y otras actividades de construcción contienen sustancias químicas conocidas por el Estado de California como agentes cancerígenos, defectos congénitos y otros daños reproductores. Algunos ejemplos de estas sustancias químicas son:

- El plomo de las pinturas a base de plomo,
- El sílice cristalino de los ladrillos y cemento y otros productos de mampostería, y
- El arsénico y el cromo de la madera tratada químicamente.

El riesgo resultante de la exposición varía según la frecuencia con que se realiza este tipo de trabajo. Para reducir la exposición a estas sustancias químicas: trabaje en un lugar bien ventilado y realice el trabajo utilizando el equipamiento apropiado, tal como las máscaras para el polvo especialmente diseñados para eliminar las partículas minúsculas.


ADVERTENCIAS DE SEGURIDAD DEL EXTRACTOR DE POLVO

1. Antes de usar el martillo perforador a batería, asegúrese de leer atentamente su manual de instrucciones.
2. No utilice herramientas para otros propósitos que no sean los especificados.
3. Siga las indicaciones del manual de instrucciones al instalar el sistema extractor de polvo en el martillo perforador a batería y al limpiar el sistema extractor de polvo, al cambiar su filtro, etc.
4. Utilice únicamente los accesorios y accesorios indicados.
Utilice únicamente los accesorios y accesorios indicados en el manual de instrucciones y los catálogos de la compañía.
5. Sustancias tales como el sílice y el amianto podrían ser perjudiciales para el cuerpo humano. Lleve a cabo las medidas antipolvo al trabajar con materiales que contengan tales sustancias.
6. Use gafas de seguridad y una máscara contra el polvo.
7. Si cualquier herramienta o equipo se deja caer o golpea accidentalmente, inspecciónelos cuidadosamente para asegurarse de que no existan daños, grietas ni deformaciones.
El uso de herramientas o equipo con daños, grietas o deformaciones podría causar lesiones.

SÍMBOLOS

⚠ ADVERTENCIA

A continuación se muestran los símbolos usados para la máquina. Asegúrese de comprender su significado antes del uso.

	Corriente continua
V	Voltaje nominal

**¡GUARDE ESTAS INSTRUCCIONES
Y
PÓNGALAS A DISPOSICIÓN DE OTROS USUARIOS
Y
PROPIETARIOS DE ESTA HERRAMIENTA!**

DESCRIPCIÓN FUNCIONAL

NOTA

La información contenida en este Manual de Instrucciones ha sido diseñada para ayudarle a utilizar con seguridad y mantener esta herramienta eléctrica.

NUNCA haga funcionar ni efectúe el mantenimiento de la herramienta antes de leer y comprender todas las instrucciones de seguridad contenidas en este manual.

Algunas ilustraciones de este Manual de Instrucciones pueden mostrar detalles o accesorios diferentes a los de la propia herramienta eléctrica.

NOMENCLATURA

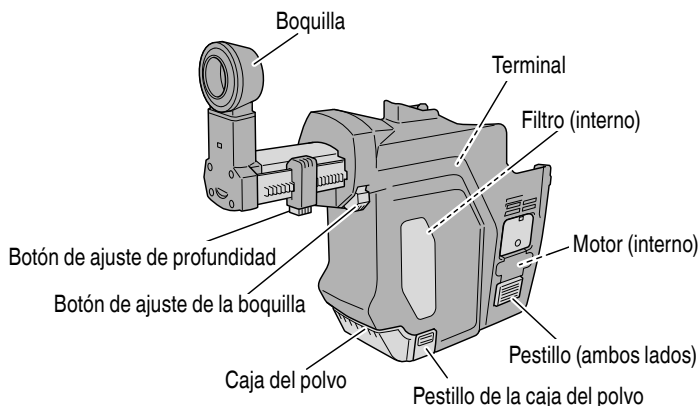
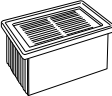
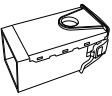
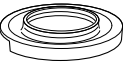

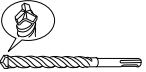
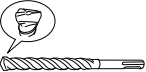


Fig. 1

ACCESORIOS OPCIONALES (vendidos por separado)

<p><input type="radio"/> Filtro Sustituya el filtro al menos una vez de cada 100 veces que el sistema extractor de polvo se llena. Código N.º 370520</p> 	<p><input type="radio"/> Juego de la caja del polvo Este producto incluye una cubierta del filtro, el filtro y la caja del polvo. Código N.º 370518</p> 	<p><input type="radio"/> Junta de la boquilla Cambie esta pieza cuando se agriete o dañe, o si pierde su elasticidad. Código N.º 370494</p> 
<p><input type="radio"/> Tapa del cepillo Cambie esta pieza si los filamentos se están cayendo o acortándose por la fricción. Código N.º 370496</p> 	<p><input type="radio"/> Broca deltagon (SDS más vástago)</p> 	<p><input type="radio"/> Broca (SDS más vástago)</p> 

Los accesorios opcionales están sujetos a cambio sin previo aviso.

ESPECIFICACIONES

Modelo	Sistema extractor de polvo	
Voltaje	Para utilizar con 18 V o 36 V (dependiendo de las especificaciones de la tensión de la herramienta en la que está instalado)	
Flujo de aire máx.	12.4 CFM (0.35 m ³ /min)	
Capacidad de la caja del polvo	0.08 gal. (0.3 L)	
Carrera máx.	3-15/16" (100 mm)	
Profundidad máx. del taladrado de agujeros	3-11/32" (85 mm)	
Diámetro de taladrado	11/64" – 25/32" (4.3 – 20 mm)	
Longitud máxima de la broca (longitud efectiva)	3-15/16" (100 mm) o inferior	
Dimensiones (An. x Al. x Pr.)	3-35/64" x 12-3/64" x 14-57/64" (90 x 306 x 378 mm)	3-35/64" x 12-3/64" x 16-3/16" (90 x 306 x 411 mm)
Peso	4.0 lbs. (1.8 kg)	4.0 lbs. (1.8 kg)

MONTAJE Y OPERACIÓN

APLICACIONES

El sistema extractor de polvo está especializado en la perforación de hormigón, para el uso con los siguientes martillos perforadores a batería de Hitachi:

DH18DBL / DH18DBDL / DH18DBQL / DH18DBML
DH36DBL / DH36DBDL / DH36DBQL / DH36DBML
DH36DPA / DH36DPB / DH36DPC / DH36DPD

NOTA

Este sistema extractor de polvo debe utilizarse solamente para la perforación de hormigón.

MODO DE EMPLEO

1. Instalación y desinstalación del sistema del extractor de polvo (Fig. 2, 3, 4)

⚠️ ADVERTENCIA

- Durante el montaje, desmontaje o ajuste del sistema extractor de polvo, a fin de prevenir un accidente poco probable, asegúrese de desactivar el interruptor de la herramienta y, a continuación, retire la batería y la broca de la herramienta. (Fig. 2)

Broca de la herramienta (broca de taladrado)

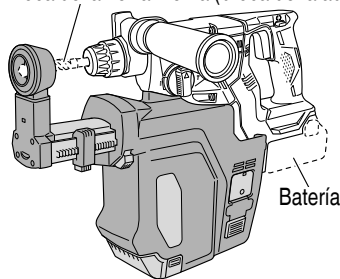


Fig. 2

- Asegúrese de que el sistema extractor de polvo esté completamente instalado. Si no lo está, el sistema extractor de polvo podría soltarse y causar lesiones.

- (1) Instalación del sistema extractor de polvo (Fig. 3)

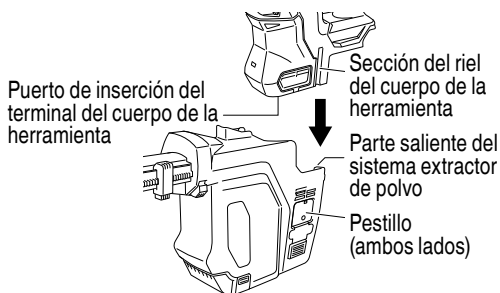


Fig. 3

⚠️ PRECAUCIÓN

Para prevenir accidentes, asegúrese de apagar el interruptor, luego desconecte la batería y la herramienta de perforación.

Coloque el sistema extractor de polvo sobre una plataforma estable, y alinee e inserte la sección del riel del cuerpo de la herramienta dentro de la parte saliente del sistema extractor de polvo.

Introduzca completamente la sección del riel del cuerpo de la herramienta hasta que el cuerpo de la herramienta y el sistema extractor de polvo entren en contacto entre sí y, a continuación, asegúrese de que los pestillos a cada lado del sistema extractor de polvo estén correcta y firmemente asegurados.

- (2) Desmontaje del sistema extractor de polvo (Fig. 4)

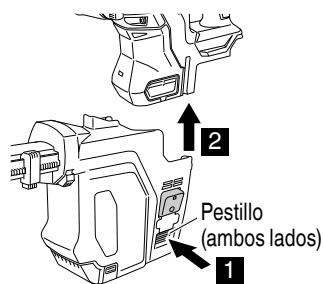


Fig. 4

⚠️ PRECAUCIÓN

Para prevenir accidentes, asegúrese de apagar el interruptor, luego desconecte la batería y la herramienta de perforación.

Presione los pestillos a cada lado del sistema extractor de polvo y, a continuación, retire el cuerpo de la herramienta del sistema extractor de polvo.

2. Ajuste de la posición de la boquilla (Fig. 5, 6, 7)

NOTA

Si el botón de ajuste de la posición de la boquilla es pulsado para liberar el bloqueo mientras la boquilla está en una posición que no sea completamente extendida, la boquilla puede saltar hacia afuera.

- (1) Presione el botón de ajuste de la posición de la boquilla y asegúrese de que la boquilla esté en la posición completamente extendida. (Fig. 5)
- (2) Mientras sujeta la herramienta de tal manera que no se pulse el interruptor, coloque la boquilla contra el material que desea taladrar. (Fig. 5)

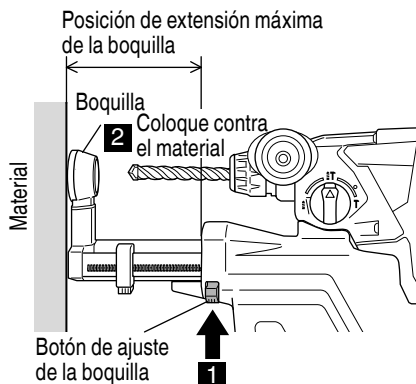


Fig. 5

- (3) Mientras presiona el botón de ajuste de la boquilla en la dirección de la flecha, presione la herramienta hacia el material, permitiendo que la posición de la boquilla se acorte hasta que alcance la posición en la que la broca entra en contacto con el material. (Fig. 6)

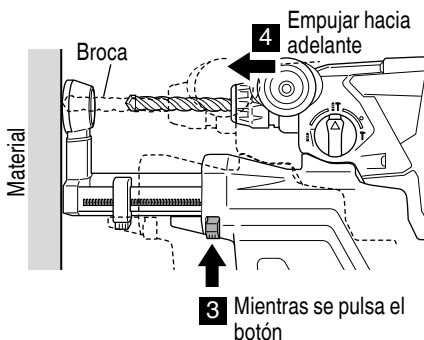


Fig. 6

NOTA

Si la posición de la boquilla se ha reducido antes de presionar el botón de ajuste de la boquilla, esta no se bloqueará en su posición incluso si el botón de ajuste de boquilla es liberado.

- (4) Libere el botón de ajuste de la boquilla para bloquear la posición de la boquilla. (Fig. 7)

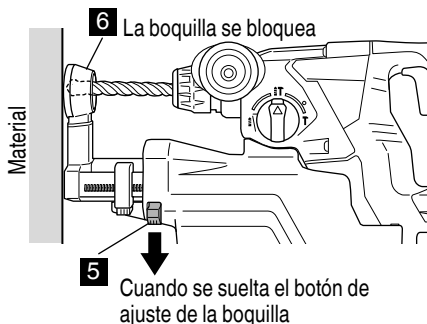


Fig. 7

3. Ajuste de la profundidad de taladrado (Fig. 8, 9)

NOTA

- La profundidad máxima de taladrado cuando se utiliza el sistema extractor de polvo es de 85 mm.
 - El sistema extractor de polvo puede ser utilizado con brocas con un diámetro de 4.3 – 20 mm y una longitud efectiva de 50 – 100 mm.
- Si se usa una broca con un diámetro mayor de 20 mm, extraiga el sistema extractor de polvo.

Pulse el botón de ajuste de la profundidad en la dirección indicada por la flecha para liberar el bloqueo, mueva la boquilla para ajustar la carrera igual que la profundidad a la que desee taladrar y, a continuación, suelte el botón de ajuste de la profundidad para bloquear la posición. (Fig. 8)

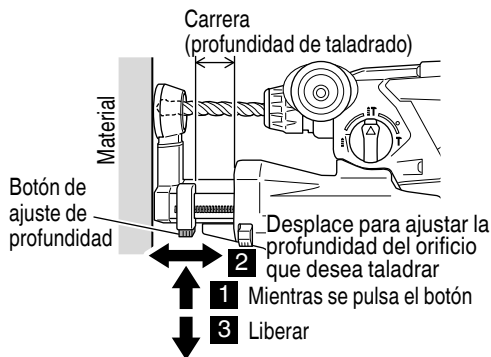


Fig. 8

Cuando el extremo de la boquilla y la punta de la broca se alinean, la distancia a la que se puede desplazar la boquilla es la profundidad de taladrado. (Fig. 9)

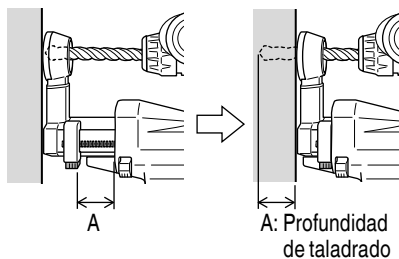


Fig. 9

4. Taladrado (Fig. 10, 11, 12)

NOTA

- El sistema extractor de polvo debe ser utilizado solamente en la perforación de hormigón. No lo utilice al taladrar metal o madera.
- No utilice el sistema extractor de polvo con el hormigón húmedo o en un entorno húmedo. De lo contrario, podría provocar una falla de operación.

- (1) Agarre la boquilla con su mano y jale de ella ligeramente y, a continuación, alinee la broca con el punto que se va a perforar. (Fig. 10)

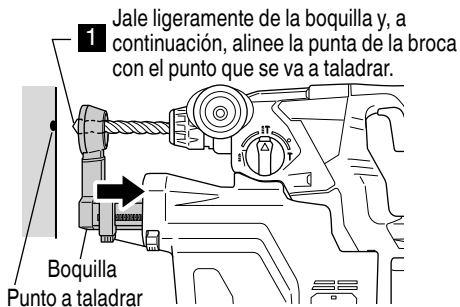


Fig. 10

- (2) Libere la boquilla y permita que haga un contacto firme con la superficie de hormigón. (Fig. 11)



Fig. 11

NOTA

Si se eleva la boquilla desde la superficie, el rendimiento de la extracción de polvo disminuye.

- (3) Con el extremo de la boquilla inmóvil en contacto firme con la superficie de hormigón, proceda con el taladrado. (Fig. 12)

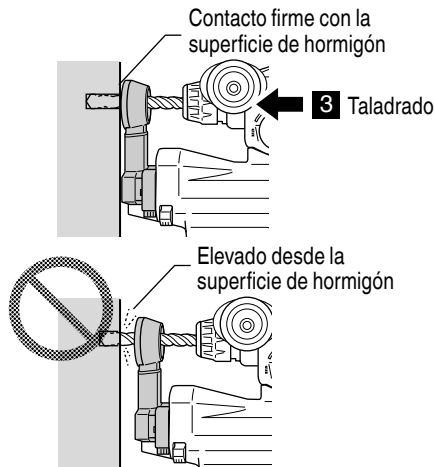


Fig. 12

Función de parada con retraso

El motor interno del sistema extractor de polvo se detiene luego de una cierta demora de varios segundos desde que el interruptor de la herramienta es liberado. Esto permite que el polvo sea extraído sin dejar restos de polvo.

5. Vaciado del polvo (Fig. 13, 14, 15)

Si se reúne una gran cantidad de polvo en la caja del polvo, el rendimiento de la extracción de polvo disminuye.

Además, si la caja del polvo está llena, el polvo podría fugarse del sistema extractor de polvo.

Verifique el sistema extractor de polvo regularmente y deseche el polvo antes de que se llene.

⚠ ADVERTENCIA

Al vaciar el polvo, a fin de prevenir accidentes, aunque es poco probable, asegúrese de desactivar el interruptor de la herramienta y de retirar la batería recargable del cuerpo de la herramienta.

⚠ PRECAUCIÓN

Utilice una máscara contra el polvo.

NOTA

No toque directamente el filtro con un cepillo duro u otra herramienta similar o rocíe la parte trasera del filtro con aire comprimido.

Además, no lave el filtro con agua.

De lo contrario podría rayar el filtro y/o acortar su vida útil.

- (1) Presione y mantenga presionado los pestillos de la caja del polvo y tire de la caja del polvo hasta extraerla del sistema extractor de polvo mientras mantiene el sistema extractor de polvo nivelado y vertical. Deseche el polvo del interior. (Fig. 13, 14)

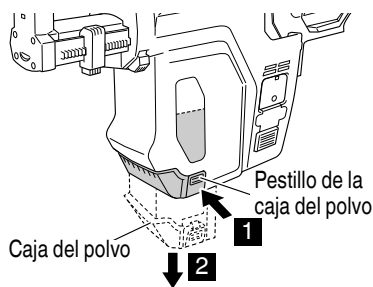


Fig. 13

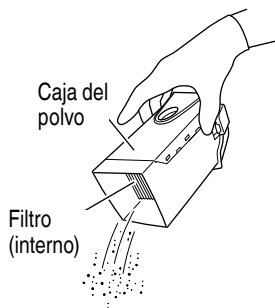
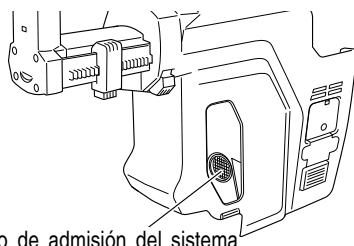


Fig. 14

- PRECAUCIÓN**
Para prevenir accidentes, asegúrese de apagar el interruptor, luego desconecte la batería y la herramienta de perforación.

- (2) Al limpiar el filtro, coloque la abertura en la caja del polvo hacia abajo y toque suavemente la caja del polvo para desprender el polvo. (Fig. 14)
- (3) Si existe polvo adherido al puerto de admisión (cubierta de malla) o a la zona de alrededor del mismo, límpielo con un cepillo suave. (Fig. 15)



Puerto de admisión del sistema extractor de polvo (cubierta de la malla)

Fig. 15

- PRECAUCIÓN**
Para prevenir accidentes, asegúrese de apagar el interruptor, luego desconecte la batería y la herramienta de perforación.

6. Reemplazo del filtro (Fig. 16, 17, 18)

Si el filtro en el interior de la caja del polvo se obstruye, disminuye el rendimiento de la extracción del polvo. Como norma, reemplace el filtro cada 100 veces que se llena la caja de polvo.

- ADVERTENCIA**
Al reemplazar el filtro, a fin de prevenir accidentes, aunque es poco probable, asegúrese de desactivar el interruptor de la herramienta y de retirar la batería del cuerpo de la herramienta.

- (1) Introduzca un destornillador de punta plana en la ranura del lado de la cubierta del filtro y extraiga la tapa del filtro. (Fig. 16)

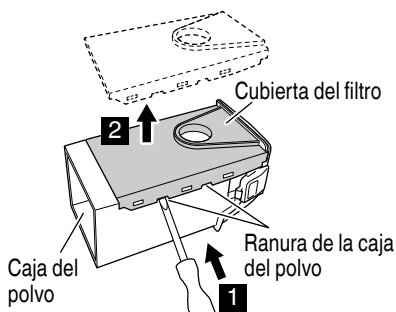


Fig. 16

- (2) Extraiga el filtro del interior y reemplácelo por uno nuevo. (Fig. 17)

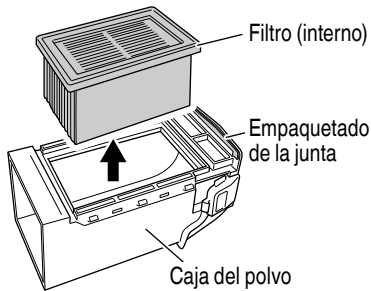


Fig. 17

NOTA

Al sacar la cubierta del filtro, asegúrese de que el empaquetado de la junta de la caja del polvo no se despegue.

- (3) Presione la cubierta del filtro contra el empaquetado de la junta de la caja del polvo. Mientras presiona el pestillo, instale la cubierta del filtro de modo que se acople en los topes de la caja del polvo, asegurándose de que el pestillo no interfiere con la cubierta del filtro. (Fig. 18)

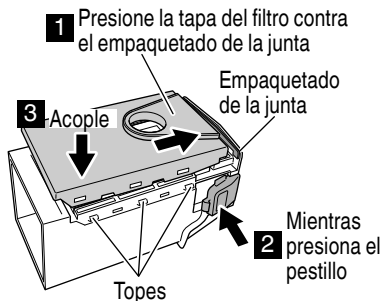


Fig. 18

7. Reemplazo de la junta de la boquilla y la tapa del cepillo (Fig. 19, 20)

A medida que la junta de la boquilla y de la tapa del cepillo se desgastan, el rendimiento de la extracción de polvo disminuye.

Si la junta de la boquilla o la tapa del cepillo están desgastadas, reemplácelas por una nueva.

⚠ ADVERTENCIA

Al cambiar la junta de la boquilla o la tapa del cepillo, a fin de prevenir accidentes, aunque es poco probable, asegúrese de desactivar el interruptor de la herramienta y extraiga la batería del cuerpo de la herramienta.

Asimismo, retire la broca de la herramienta.

- (a) Sustitución de la junta de la boquilla (Fig. 19)

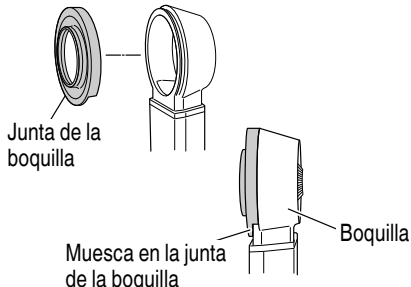


Fig. 19

⚠ PRECAUCIÓN

Para prevenir accidentes, asegúrese de apagar el interruptor, luego desconecte la batería y la herramienta de perforación.

- ① Retire la boquilla de la junta, tal y como se muestra en la figura.
- ② Coloque una nueva junta de la boquilla. Alinee la muesca de la boquilla de tal modo que la junta encaje en la forma exterior de la boquilla.

- (b) Sustitución de la tapa del cepillo (Fig. 20)

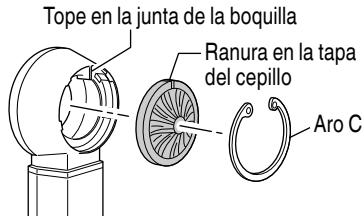


Fig. 20

⚠ PRECAUCIÓN

Para prevenir accidentes, asegúrese de apagar el interruptor, luego desconecte la batería y la herramienta de perforación.

- ① Utilice unas tenazas o una herramienta similar, retire el anillo C y reemplace la tapa del cepillo por una nueva.
- ② Alinee las ranuras de la nueva tapa del cepillo con el tope de la boquilla y fíjelos juntos.
- ③ Coloque de nuevo el anillo C en su posición original, asegurándose de que esté fijo y que no se caerá.

MANTENIMIENTO E INSPECCIÓN

⚠️ ADVERTENCIA

Al llevar a cabo tareas de inspección o mantenimiento, asegúrese de apagar el interruptor de la herramienta y extraiga el sistema extractor de polvo del cuerpo de la herramienta.

1. Inspección del cuerpo del sistema extractor de polvo

Inspeccione regularmente los lugares en los que las diversas partes del sistema extractor de polvo encajan para asegurarse de que no hay ruido de vibraciones ni partes sueltas.

Si el sistema extractor de polvo se utiliza mientras alguna de las piezas está suelta, existe el riesgo de lesiones personales u otros accidentes. Si hay algo anormal con el sistema extractor de polvo, póngase en contacto con el centro de servicio autorizado de Hitachi.

2. Limpieza del exterior

Cuando la herramienta esté sucia, límpiela con un trapo seco y suave o con un paño humedecido en agua jabonosa. No utilice disolventes clóricos, gasolina o disolventes para pinturas ya que estos deforman los materiales plásticos.

3. Manipulación del motor

Tenga cuidado de no permitir que aceite, agua u otros líquidos se filtren dentro del motor interno. (Fig. 1 en la página 34)

4. Limpieza del terminal (Fig. 21)

El terminal del sistema extractor de polvo es un componente importante que suministra corriente eléctrica al motor.

Tras el taladrado de hormigón, en caso de que exista polvo de hormigón adherido al terminal, utilice un cepillo suave o una herramienta similar para limpiar el polvo de hormigón adherido antes de usar de nuevo el sistema extractor de polvo.

Además, limpie la zona alrededor de la inserción del terminal en el cuerpo de la herramienta. (Fig. 21)

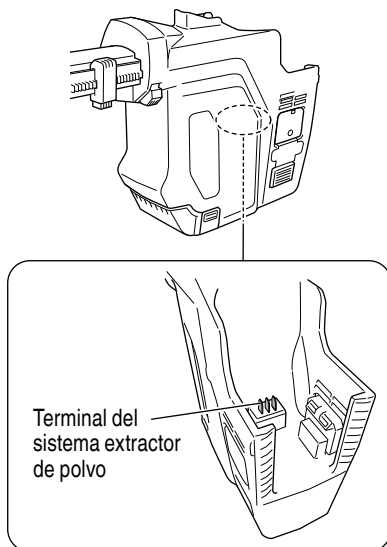
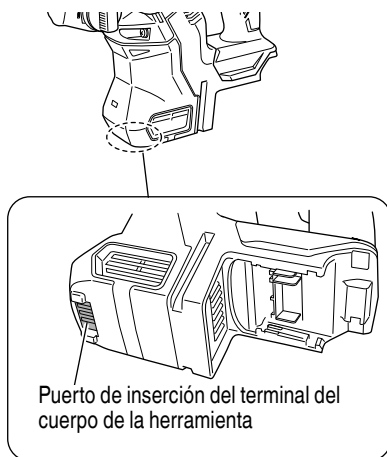


Fig. 21

⚠️ PRECAUCIÓN

Para prevenir accidentes, asegúrese de apagar el interruptor, luego desconecte la batería y la herramienta de perforación.

NOTA

Utilizar el sistema extractor de polvo mientras todavía hay polvo de hormigón adherido a él podría ocasionar un fallo en la conexión del terminal y causar un mal funcionamiento.

5. Conservación

- Guarde la herramienta en un lugar en el que la temperatura sea inferior a 50 °C y fuera del alcance de los niños.
- Al guardar el sistema extractor de polvo, presione el botón de ajuste de la boquilla para colocar la boquilla en la posición de extensión máxima. Mantener la boquilla contraída dentro del sistema extractor de polvo puede resultar en que su fuerza de presión se debilite. (Fig. 22)

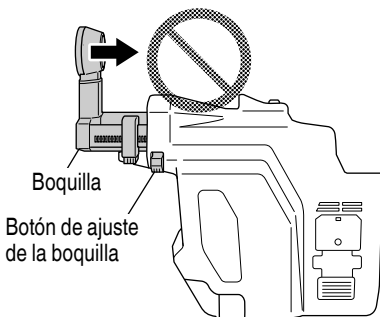
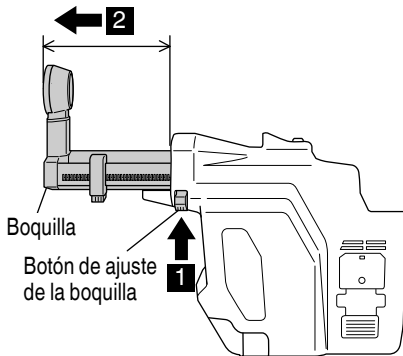


Fig. 22

⚠ PRECAUCIÓN

Para prevenir accidentes, asegúrese de apagar el interruptor, luego desconecte la batería y la herramienta de perforación.

- Si la boquilla no vuelve a la posición completamente extendida, tire de ella hacia fuera con la mano. La extensión y contracción repetida ayudará a que se recupere.

⚠ PRECAUCIÓN

En la operación y el mantenimiento de las herramientas eléctricas, se deberán observar las normas y reglamentos vigentes en cada país.

Aviso importante sobre las pilas de las herramientas inalámbricas de Hitachi

Utilice siempre una de nuestras pilas genuinas. No podemos garantizar la seguridad y el funcionamiento de nuestra herramienta eléctrica inalámbrica cuando se utiliza con pilas diferentes a las indicadas por nosotros o cuando la pila se desmonta y modifica (como cuando se desmontan y sustituyen celdas u otras piezas internas).

NOTA

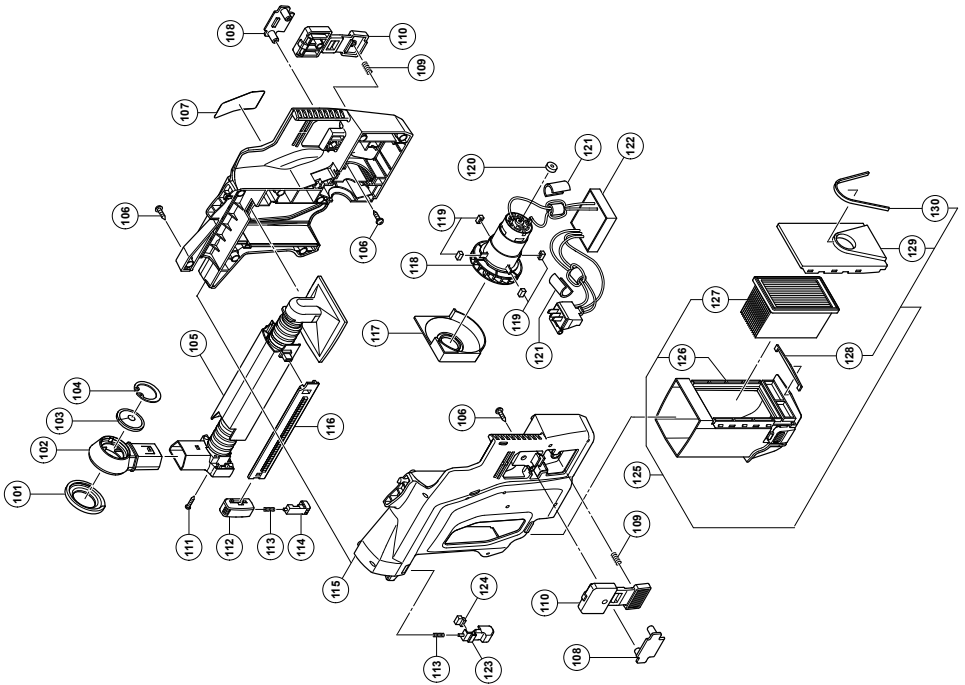
Debido al programa continuo de investigación y desarrollo de HITACHI, estas especificaciones están sujetas a cambio sin previo aviso.

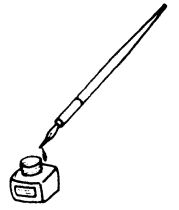
SOLUCIÓN DE PROBLEMAS

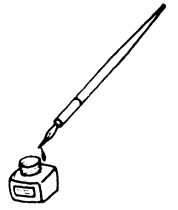
Utilice las inspecciones en la tabla inferior si la herramienta no funciona con normalidad. Si esto no soluciona el problema, contáctese con su distribuidor local o con el centro de servicio autorizado de Hitachi.

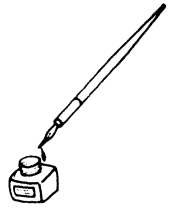
Síntoma	Posible causa	Solución
La herramienta no opera.	Hay polvo adherido al terminal, resultando en una conexión defectuosa.	Retire cualquier polvo de los componentes de los terminales del sistema extractor de polvo y del cuerpo de la herramienta.
El rendimiento de la extracción de polvo ha disminuido, o hay fugas de polvo en el sistema extractor de polvo.	La caja del polvo está llena.	Vacíe el polvo de la caja del polvo y limpie la caja del polvo.
	El filtro dentro de la caja del polvo está obstruido.	Vacíe el polvo de la caja del polvo y limpie el filtro. O bien, reemplace el filtro por uno nuevo.
	El filtro, la tapa del cepillo o la junta de la boquilla están agrietados, dañados o desgastados.	Reemplácelo por uno nuevo.
No se bloquea la posición de la boquilla.	Fueron realizados los siguientes pasos incorrectos: ① La boquilla fue colocada en la posición deseada. ② Se ha pulsado el botón de ajuste de la boquilla.	Lleve a cabo los siguientes pasos: ① Mientras mantiene presionado el botón de ajuste de la boquilla... ② Ajuste la boquilla en la posición deseada. ③ Libere el botón de ajuste de la boquilla.

Item No.	Part Name	Q'TY
101	NOZZLE SEAL	1
102	NOZZLE	1
103	BRUSH CAP	1
104	RETAINING RING D35	1
105	SLIDE PIPE	1
106	TAPPING SCREW (W/FLANGE) D4X16	13
107	NAME PLATE	1
108	LATCH HOLDER	2
109	SPRING (E)	2
110	LATCH (A)	2
111	TAPPING SCREW D2.6	4
112	ADJUSTER	1
113	SPRING (A)	2
114	BUTTON (A)	1
115	HOUSING SET	1
116	ADJUSTMENT RAIL	1
117	FAN COVER	1
118	MOTOR FAN SET	1
119	RUBBER BUSHING (A)	4
120	RUBBER BUSHING (B)	1
121	SUPPORT (D)	2
122	CONTROLLER	1
123	BUTTON (B)	1
124	STOPPER	1
125	DUST BOX ASS'Y	1
126	DUST BOX	1
127	FILTER	1
128	PACKING (C)	1
129	FILTER COVER	1
130	PACKING (B)	1











Please contact HITACHI KOKI U.S.A. LTD.
at 1-800-59-TOOLS (toll free), or HITACHI
AUTHORIZED POWER TOOL SERVICE
CENTER regarding COLLECTION.



Pour le RAMASSAGE, contacter HITACHI
KOKI U.S.A. LTD. au 1-800-59-TOOLS (appel
gratuit), ou UN SERVICE APRÈS-VENTE
D'OUTILS ÉLECTRIQUE AGRÉÉ PAR
HITACHI.



Con respecto a la RECOLECCIÓN de
baterías, póngase en contacto con HITACHI
KOKI U.S.A. LTD. número 1-800-59-TOOLS
(llamada gratis), o con HITACHI AUTHORIZED
POWER TOOL SERVICE CENTER.

Issued by



Hitachi Koki Co., Ltd.

Sinagawa Intercity Tower A, 15-1, Konan 2-chome,
Minato-ku, Tokyo 108-6020, Japan

Distributed by



Hitachi Koki U.S.A., Ltd.

1111 Broadway Ave,
Braselton, Georgia 30517



Hitachi Koki Canada Corp.

450 Export Blvd. Unit B,
Mississauga ON L5S 2A4