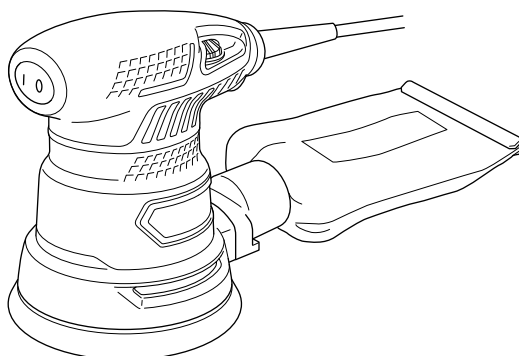


# HITACHI

Model  
Modèle  
Modelo

**SV 13YST**

Random Orbit Sander  
Ponceuse orbitale rotative  
Lijadora orbital



## SAFETY INSTRUCTIONS AND INSTRUCTION MANUAL

### ⚠ WARNING

**IMPROPER OR UNSAFE** use of this power tool can result in death or serious bodily injury! This manual contains important information about product safety. Please read and understand this manual **BEFORE** operating the power tool. Please keep this manual available for other users and owners before they use the power tool. This manual should be stored in safe place.

## INSTRUCTIONS DE SECURITE ET MODE D'EMPLOI

### ⚠ AVERTISSEMENT

Une utilisation **INCORRECTE OU DANGEREUSE** de cet outil motorisé peut entraîner la mort ou de sérieuses blessures corporelles!  
Ce mode d'emploi contient d'importantes informations à propos de la sécurité de ce produit. Prière de lire et de comprendre ce mode d'emploi **AVANT** d'utiliser l'outil motorisé. Garder ce mode d'emploi à la disponibilité des autres utilisateurs et propriétaires avant qu'ils utilisent l'outil motorisé. Ce mode d'emploi doit être conservé dans un endroit sûr.

## INSTRUCCIONES DE SEGURIDAD Y MANUAL DE INSTRUCCIONES

### ⚠ ADVERTENCIA

¡La utilización **INAPROPIADA O PELIGROSA** de esta herramienta eléctrica puede resultar en lesiones de gravedad o la muerte!  
Este manual contiene información importante sobre la seguridad del producto. Lea y comprenda este manual **ANTES** de utilizar la herramienta eléctrica. Guarde este manual para que puedan leerlo otras personas antes de utilizar la herramienta eléctrica. Este manual debe ser guardado en un lugar seguro.



DOUBLE INSULATION  
DOUBLE ISOLATION  
AISLAMIENTO DOBLE

**Hitachi Koki**

English		CONTENTS	
	Page		Page
IMPORTANT SAFETY INFORMATION .....	3	<b>ASSEMBLY AND OPERATION</b> .....	8
MEANINGS OF SIGNAL WORDS .....	3	APPLICATIONS.....	8
<b>SAFETY</b> .....	3	PRIOR TO OPERATION.....	8
GENERAL POWER TOOL SAFETY WARNINGS .....	3	RANDOM ORBIT SANDER OPERATION .....	11
SPECIFIC SAFETY RULES AND SYMBOLS .....	4	HOW TO INSTALL THE	
DOUBLE INSULATION FOR SAFER		OPTIONAL ACCESSORIES .....	12
OPERATION .....	6	ATTACHING THE DUST COLLECTOR .....	12
<b>FUNCTIONAL DESCRIPTION</b> .....	7	<b>MAINTENANCE AND INSPECTION</b> .....	13
NAME OF PARTS.....	7	<b>ACCESSORIES</b> .....	14
SPECIFICATIONS .....	7	STANDARD ACCESSORIES .....	14
		OPTIONAL ACCESSORIES .....	14
		<b>PARTS LIST</b> .....	40

Français		TABLE DES MATIÈRES	
	Page		Page
INFORMATIONS IMPORTANTES		<b>ASSEMBLAGE ET FONCTIONNEMENT</b> .....	20
DE SÉCURITÉ .....	15	APPLICATIONS.....	20
SIGNIFICATION DES MOTS		AVANT L'UTILISATION .....	20
D'AVERTISSEMENT .....	15	UTILISATION DE LA PONCEUSE ORBITALE	
<b>SECURITE</b> .....	15	ROTATIVE .....	23
AVERTISSEMENTS DE SÉCURITÉ GÉNÉRAUX		INSTALLATION DES ACCESSOIRES	
CONCERNANT LES OUTILS ÉLECTRIQUES ..	15	EN OPTION .....	24
RÈGLES DE SECURITE SPECIFIQUES		FIXATION DU CAPTEUR DE POUSSIERE .....	24
ET SYMBOLES .....	17	<b>ENTRETIEN ET INSPECTION</b> .....	25
DOUBLE ISOLATION POUR UN		<b>ACCESSOIRES</b> .....	26
FONCTIONNEMENT PLUS SUR.....	18	ACCESSOIRES STANDARD.....	26
<b>DESCRIPTION FONCTIONNELLE</b> .....	19	ACCESSOIRES SUR OPTION.....	26
NOM DES PARTIES .....	19	<b>LISTA DES PIÈCES</b> .....	40
SPECIFICATIONS .....	19		

Español		ÍNDICE	
	Página		Página
INFORMACIÓN IMPORTANTE SOBRE		<b>MONTAJE Y OPERACIÓN</b> .....	32
SEGURIDAD .....	27	APLICACIONES .....	32
SIGNIFICADO DE LAS PALABRAS DE		ANTES DE LA OPERACIÓN.....	32
SEÑALIZACIÓN .....	27	UTILIZACIÓN DE LA LIJADORA ORBITAL .....	35
<b>SEGURIDAD</b> .....	27	MONTAJE DE LOS ACCESORIOS	
ADVERTENCIAS DE SEGURIDAD GENERAL		OPCIONALES.....	36
DE LA HERRAMIENTA ELÉCTRICA .....	27	CONECTAR EL COLECTOR DE POLVO .....	36
NORMAS Y SÍMBOLOS		<b>MANTENIMIENTO E INSPECCIÓN</b> .....	37
ESPECÍFICOS DE SEGURIDAD.....	29	<b>ACCESORIOS</b> .....	38
AISLAMIENTO DOBLE PARA OFRECER		ACCESORIOS ESTÁNDAR .....	38
UNA OPERACIÓN MÁS SEGURA.....	30	ACCESORIOS OPCIONALES .....	38
<b>DESCRIPCIÓN FUNCIONAL</b> .....	31	<b>LISTA DE PIEZAS</b> .....	40
NOMENCLATURA .....	31		
SPECIFICATIONS .....	31		

## IMPORTANT SAFETY INFORMATION

Read and understand all of the safety precautions, warnings and operating instructions in the Instruction Manual before operating or maintaining this power tool.

Most accidents that result from power tool operation and maintenance are caused by the failure to observe basic safety rules or precautions. An accident can often be avoided by recognizing a potentially hazardous situation before it occurs, and by observing appropriate safety procedures.

Basic safety precautions are outlined in the "SAFETY" section of this Instruction Manual and in the sections which contain the operation and maintenance instructions.

Hazards that must be avoided to prevent bodily injury or machine damage are identified by WARNINGS on the power tool and in this Instruction Manual.

**Never** use this power tool in a manner that has not been specifically recommended by HITACHI.

## MEANINGS OF SIGNAL WORDS

**WARNING** indicates a potentially hazardous situations which, if ignored, could result in death or serious injury.

**CAUTION** indicates a potentially hazardous situations which, if not avoided, may result in minor or moderate injury, or may cause machine damage.

**NOTE** emphasizes essential information.

# SAFETY

## GENERAL POWER TOOL SAFETY WARNINGS

### ⚠ **WARNING:**

**Read all safety warnings, instructions, illustrations and specifications provided with this power tool.**  
Failure to follow all instructions listed below may result in electric shock, fire and/or serious injury.

**Save all warnings and instructions for future reference.**

The term "power tool" in the warnings refers to your mains-operated (corded) power tool or battery-operated (cordless) power tool.

- 1) **Work area safety**
  - a) **Keep work area clean and well lit.**  
Cluttered or dark areas invite accidents.
  - b) **Do not operate power tools in explosive atmospheres, such as in the presence of flammable liquids, gases or dust.**  
Power tools create sparks which may ignite the dust or fumes.
  - c) **Keep children and bystanders away while operating a power tool.**  
Distractions can cause you to lose control.
- 2) **Electrical safety**
  - a) **Power tool plugs must match the outlet. Never modify the plug in any way. Do not use any adapter plugs with earthed (grounded) power tools.**  
Unmodified plugs and matching outlets will reduce risk of electric shock.
  - b) **Avoid body contact with earthed or grounded surfaces such as pipes, radiators, ranges and refrigerators.**  
There is an increased risk of electric shock if your body is earthed or grounded.
  - c) **Do not expose power tools to rain or wet conditions.**  
Water entering a power tool will increase the risk of electric shock.
  - d) **Do not abuse the cord. Never use the cord for carrying, pulling or unplugging the power tool. Keep cord away from heat, oil, sharp edges or moving parts.**  
Damaged or entangled cords increase the risk of electric shock.
  - e) **When operating a power tool outdoors, use an extension cord suitable for outdoor use.**  
Use of a cord suitable for outdoor use reduces the risk of electric shock.
  - f) **If operating a power tool in a damp location is unavoidable, use a residual current device (RCD) protected supply.**  
Use of an RCD reduces the risk of electric shock.

3) **Personal safety**

- a) **Stay alert, watch what you are doing and use common sense when operating a power tool. Do not use a power tool while you are tired or under the influence of drugs, alcohol or medication.**  
A moment of inattention while operating power tools may result in serious personal injury.
  - b) **Use personal protective equipment. Always wear eye protection.**  
Protective equipment such as dust mask, non-skid safety shoes, hard hat, or hearing protection used for appropriate conditions will reduce personal injuries.
  - c) **Prevent unintentional starting. Ensure the switch is in the off-position before connecting to power source and/or battery pack, picking up or carrying the tool.**  
Carrying power tools with your finger on the switch or energising power tools that have the switch on invites accidents.
  - d) **Remove any adjusting key or wrench before turning the power tool on.**  
A wrench or a key left attached to a rotating part of the power tool may result in personal injury.
  - e) **Do not overreach. Keep proper footing and balance at all times.**  
This enables better control of the power tool in unexpected situations.
  - f) **Dress properly. Do not wear loose clothing or jewellery. Keep your hair, clothing and gloves away from moving parts.**  
Loose clothes, jewellery or long hair can be caught in moving parts.
  - g) **If devices are provided for the connection of dust extraction and collection facilities, ensure these are connected and properly used.**  
Use of dust collection can reduce dust-related hazards.
  - h) **Do not let familiarity gained from frequent use of tools allow you to become complacent and ignore tool safety principles.**  
A careless action can cause severe injury within a fraction of a second.
- 4) **Power tool use and care**
- a) **Do not force the power tool. Use the correct power tool for your application.**  
The correct power tool will do the job better and safer at the rate for which it was designed.
  - b) **Do not use the power tool if the switch does not turn it on and off.**  
Any power tool that cannot be controlled with the switch is dangerous and must be repaired.
  - c) **Disconnect the plug from the power source and/or remove the battery pack, if detachable, from the power tool before making any adjustments, changing accessories, or storing power tools.**

- Such preventive safety measures reduce the risk of starting the power tool accidentally.
- d) **Store idle power tools out of the reach of children and do not allow persons unfamiliar with the power tool or these instructions to operate the power tool.**  
Power tools are dangerous in the hands of untrained users.
  - e) **Maintain power tools and accessories. Check for misalignment or binding of moving parts, breakage of parts and any other condition that may affect the power tool's operation. If damaged, have the power tool repaired before use.**  
Many accidents are caused by poorly maintained power tools.
  - f) **Keep cutting tools sharp and clean. Properly maintained cutting tools with sharp cutting edges are less likely to bind and are easier to control.**
  - g) **Use the power tool, accessories and tool bits etc. in accordance with these instructions, taking into account the working conditions and the work to be performed.**  
Use of the power tool for operations different from those intended could result in a hazardous situation.
  - h) **Keep handles and grasping surfaces dry, clean and free from oil and grease.**  
Slippery handles and grasping surfaces do not allow for safe handling and control of the tool in unexpected situations.
- 5) **Service**
- a) **Have your power tool serviced by a qualified repair person using only identical replacement parts.**  
This will ensure that the safety of the power tool is maintained.

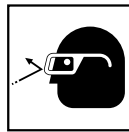
**SPECIFIC SAFETY RULES AND SYMBOLS**

1. **Hold tools by insulated gripping surfaces when performing an operation where the cutting tool may contact hidden wiring or its own cord.**  
Contact with a "live" wire will make exposed metal parts of the tool "live" and shock the operator.
2. **ALWAYS wear ear protectors when using the tool for extended periods.**  
Prolonged exposure to high intensity noise can cause hearing loss.



3. **NEVER touch moving parts.**  
**NEVER** place your hands, fingers or other body parts near the tool's moving parts.

4. **NEVER operate without all guards in place.**  
NEVER operate this tool without all guards or safety features in place and in proper working order. If maintenance or servicing requires the removal of a guard or safety feature, be sure to replace the guard or safety feature before resuming operation of the tool.
5. **Use right tool.**  
Don't force small tool or attachment to do the job of a heavy-duty tool.  
Don't use tool for purpose not intended—for example— don't use circular saw for cutting tree limbs or logs.
6. **NEVER use a power tool for applications other than those specified.**  
NEVER use a power tool for applications other than those specified in the Instruction Manual.
7. **Handle tool correctly.**  
Operate the tool according to the instructions provided herein. Do not drop or throw the tool. Never allow the tool to be operated by children, individuals unfamiliar with its operation or unauthorized personnel.
8. **Keep all screws, bolts and covers tightly in place.**  
Keep all screws, bolts, and plates tightly mounted. Check their condition periodically.
9. **Do not use power tools if the plastic housing or handle is cracked.**  
Cracks in the tool's housing or handle can lead to electric shock. Such tools should not be used until repaired.
10. **Blades and accessories must be securely mounted to the tool.**  
Prevent potential injuries to yourself or others. Blades, cutting implements and accessories which have been mounted to the tool should be secure and tight.
11. **Keep motor air vent clean.**  
The tool's motor air vent must be kept clean so that air can freely flow at all times. Check for dust build-up frequently.
12. **Operate power tools at the rated voltage.**  
Operate the power tool at voltages specified on its nameplate.  
If using the power tool at a higher voltage than the rated voltage, it will result in abnormally fast motor revolution and may damage the unit and the motor may burn out.
13. **NEVER use a tool which is defective or operating abnormally.**  
If the tool appears to be operating unusually, making strange noises, or otherwise appears defective, stop using it immediately and arrange for repairs by a Hitachi authorized service center.
14. **NEVER leave tool running unattended. Turn power off.**  
Don't leave tool until it comes to a complete stop.
15. **Carefully handle power tools.**  
Should a power tool be dropped or struck against hard materials inadvertently, it may be deformed, cracked, or damaged.
16. **Do not wipe plastic parts with solvent.**  
Solvents such as gasoline, thinner benzine, carbon tetrachloride, and alcohol may damage and crack plastic parts. Do not wipe them with such solvents.  
Wipe plastic parts with a soft cloth lightly dampened with soapy water and dry thoroughly.
17. **ALWAYS** wear eye protection that meets the requirement of the latest revision of ANSI Standard Z87.1.



18. **NEVER** leave the random orbit sander on floor and so on while spinning.
19. **NEVER** apply water or lubricating oil, otherwise hazards from electrical shocks may result.
20. **NEVER** push the random orbit sander too strongly onto a surface.  
Pushing the random orbit sander too strongly may cause the sanding paper to tear or shorten the life of the sander itself.
21. **ALWAYS** operate the random orbit sander safely for correct use.  
This random orbit sander is a portable dry plane surface sander that was designed for finishing wood and metal surfaces and ground coats.
22. **ALWAYS** securely installing the sanding paper.
23. **ALWAYS** wear a protective mask when operating the random orbit sander.  
Ventilate your work area adequately when you perform sanding operations.
24. Definitions for symbols used on this tool  
V ..... volts  
Hz ..... hertz  
A ..... amperes  
n<sub>0</sub> ..... no load speed  
W ..... watt  
 ..... Class II Construction  
---/min ..... revolutions per minute  
~ ..... Alternating current

In the following cases, clean the dust bag and fully remove any dust.

Dust remaining in the dust bag may cause ignition.

- Sanding steel sheets after sanding materials such as wood
  - After completing sanding work
- Do not throw sanding dust on an open fire because materials in fine particle form may be explosive:

English

#### **DOUBLE INSULATION FOR SAFER OPERATION**

To ensure safer operation of this power tool, HITACHI has adopted a double insulation design. "Double insulation" means that two physically separated insulation systems have been used to insulate the electrically conductive materials connected to the power supply from the outer frame handled by the operator. Therefore, either the symbol "⊞" or the words "Double insulation" appear on the power tool or on the nameplate.

Although this system has no external grounding, you must still follow the normal electrical safety precautions given in this Instruction Manual, including not using the power tool in wet environments.

To keep the double insulation system effective, follow these precautions:

- Only HITACHI AUTHORIZED SERVICE CENTER should disassemble or assemble this power tool, and only genuine HITACHI replacement parts should be installed.
- Clean the exterior of the power tool only with a soft cloth moistened with soapy water, and dry thoroughly. Never use solvents, gasoline or thinners on plastic components; otherwise the plastic may dissolve.

**SAVE THESE INSTRUCTIONS  
AND  
MAKE THEM AVAILABLE TO  
OTHER USERS  
AND  
OWNERS OF THIS TOOL!**

## FUNCTIONAL DESCRIPTION

### NOTE:

The information contained in this Instruction Manual is designed to assist you in the safe operation and maintenance of the power tool.

**NEVER** operate, or attempt any maintenance on the tool unless you have first read and understood all safety instructions contained in this manual.

Some illustrations in this Instruction Manual may show details or attachments that differ from those on your own power tool.

### NAME OF PARTS

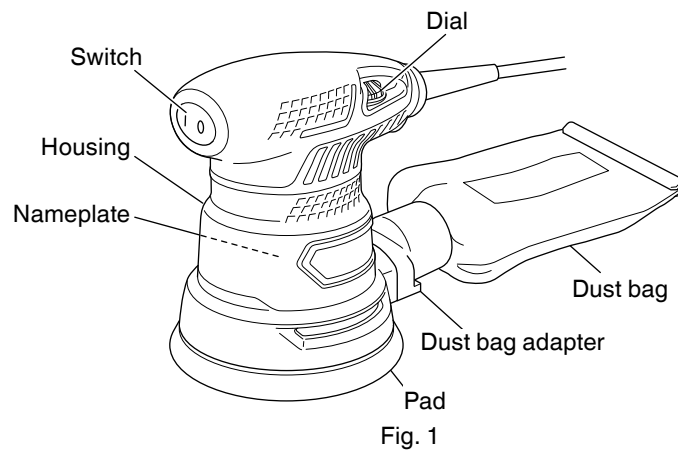


Fig. 1

### SPECIFICATIONS

Model	SV13YST
Motor	Single Phase, Series Commutator Motor
Power source	Single Phase 120V AC 60 Hz
Current	2.8 A
No-load speed	9,000 – 13,000/min
Sanding pad size (Outer diameter)	4-7/8" (122 mm)
Sanding paper size (Outer diameter)	5" (125 mm)
Weight	3.1 lbs. (1.4 kg)

# ASSEMBLY AND OPERATION

## APPLICATIONS

- Roughing or finishing of woodwork and metal surfaces.
- Preliminary sanding of woodwork and metal surfaces before painting.
- Paint removal.
- Rust removal.

## PRIOR TO OPERATION

1. Power source  
Ensure that the power source to be utilized conforms to the power source requirements specified on the product nameplate.
2. Power switch  
Ensure that the switch is in the OFF position. If the plug is connected to a receptacle while the switch is in the ON position, the power tool will start operating immediately and can cause serious injury.
3. Extension cord  
When the work area is far away from the power source, use an extension cord of sufficient thickness and rated capacity. The extension cord should be kept as short as practicable.



**WARNING:**  
Damaged cord must be replaced or repaired.

4. Check the receptacle  
If the receptacle only loosely accepts the plug, the receptacle must be repaired. Contact a licensed electrician to make appropriate repairs.  
If such a faulty receptacle is used, it may cause overheating, resulting in a serious hazard.
5. Check your working environment  
Ensure the following before operation;
  - No flammable gas, liquid, or object at worksite.
  - Sanding thin steel sheet may cause a high booming sound.  
In this case, place a rubber mat under the workpiece.
  - Take appropriate noise preventive measures to prevent adverse affects on the environment by electrical noise.
  - Clear the area of children or unauthorized personnel.



#### 6. Installing the sanding paper

Since the attachment is a hook-and-loop type, the sanding paper can be installed easily by just pressing it onto the pad. When installing the sanding paper, in order to match it to the holes in the pad, gently fold it along the axis of two holes as shown in Fig. 2.

Next, use the holes along the fold as a guide to match the sanding paper and the pad. Finally, press the entire sanding paper uniformly onto the pad.

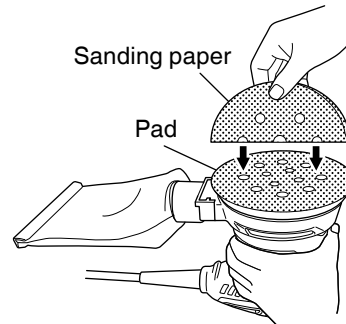


Fig. 2

#### ⚠ WARNING:

Be sure to switch power OFF and disconnect the plug to avoid accidents.

#### ⚠ CAUTION:

- Use only sanding paper size specified on the product nameplate.
- Do not use accessories with poor adhesion.

#### 7. Attaching and removing the dust bag

Attaching the dust bag to dust bag adapter. As shown in Fig. 3, hold the dust bag adapter and push it in the direction of arrow A to attach it to the dust bag.

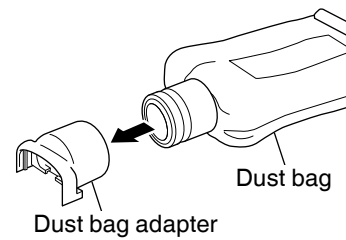


Fig. 3

To attach the dust bag (Fig. 4):

- (1) Unplug the sander.
- (2) Align the raised rib on the dust bag with the grooves of the sander, and then attach the dust bag to the sander.

#### NOTE:

Make sure that the dust bag is secured to the tool before beginning operation.

To detach the dust bag:

- (1) Unplug the sander.
- (2) Pull up on the dust bag and remove it from the tool.

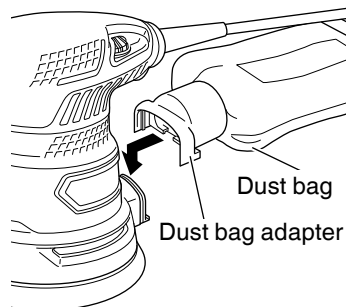


Fig. 4

**NOTE:**

When placing the dust bag on the tool, be sure that the raised rib on the dust bag aligns with the groove on the sander and that the dust bag snaps into place properly. Improper attachment of the dust bag can cause damage to internal components.

8. Adjustment of speed

The sander is equipped with the electric control circuit which enables non-step speed control. To adjust the speed, turn the dial shown in Fig. 5. When the dial is set to "1", the sander operates at the minimum speed (9,000/min). When the dial set to "6", the sander operates at the maximum speed (13,000/min). Adjust the speed according to the material to be cut and working efficiency.

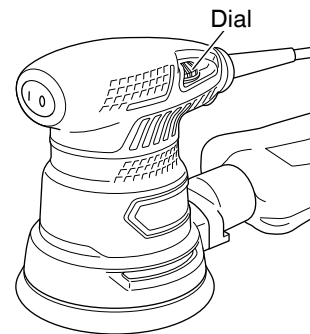


Fig. 5

By adjusting the dial, match the speed to the material and type of work.

Material	Grain		Dial scale
	Rough grinding	Fine grinding	
Paintwork:			
Sanding	180	400	3 – 6
Repairs (scratches, rust spots)	120	240	2 – 4
Stripping	40	80	2 – 4
Wood:			
Softwood	60 – 80	240	3 – 6
Hardwood	60	180	3 – 5
Veneers	240	320	2 – 4
Metals:			
Aluminium	80	240	2 – 4
Steel	60	240	3 – 6
Stainless steel	120	240	3 – 6

**NOTE:** Please use this table as a standard.

## RANDOM ORBIT SANDER OPERATION

**⚠ WARNING:** Never apply water or grinding fluid when sanding. This could result in electrical shock.

1. How to hold the random orbit sander  
While gripping the housing, lightly press the sander against the surface to be sanded so that the sanding paper uniformly contacts the surface, as shown in Fig. 6. DO NOT apply excessive pressure to the sander while sanding. Excessive pressure may cause overload of the motor, reduced service life of the sanding paper, and lowered sanding or polishing efficiency.
2. How to move the random orbit sander  
Move the sander by either moving it up and down or by moving it in circles while gradually progressing in a sideways direction. (Figs. 7 and 8)
3. Switching the sander ON and OFF  
The power can be turned on by setting the switch to ON (I) and turned off by setting the switch to OFF (O).

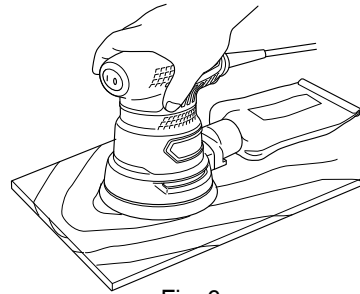


Fig. 6

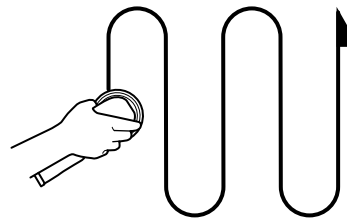


Fig. 7

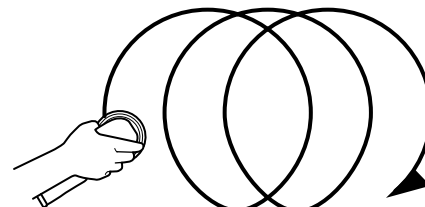


Fig. 8

### NOTE:

Never turn the power switch ON when the sander is contacting the surface to be sanded. This is necessary to preclude damage to the material. The same applies when switching the power OFF.

### ⚠ CAUTION:

- Immediately after use, always turn the sander off and unplug it.
- Since the sander may suck in dust and debris, be careful not to place it where there is much dust and debris when it is still spinning right after use.
- Looking from above, the sanding pad rotates clockwise during the loaded operation, but it may rotate counterclockwise during the no-load operation.
- Never run the tool without the sanding paper. You may seriously damage the support plate.
- Using the tool with the support plate edge contacting the workpiece may damage the support plate.

## HOW TO INSTALL THE OPTIONAL ACCESSORIES

**⚠ WARNING:** Be sure to switch power OFF and disconnect the plug to avoid accidents.

- Mounting the polyester buff  
Since the attachment is a hook-and-loop type as with the sanding paper, the polyester buff can be mounted by just pressing it onto the pad (Fig. 9).

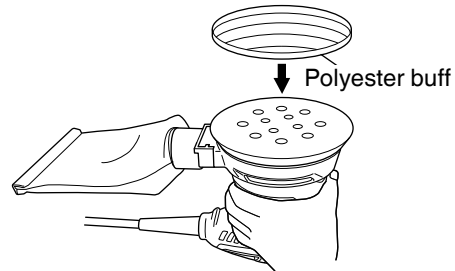


Fig. 9

## ATTACHING THE DUST COLLECTOR

### External extraction system:

Fit dust extraction nozzle (see chapter on Accessories). Connect a suitable extraction device. Use a suction hose with vacuum adapter and adapter. See Accessories section.

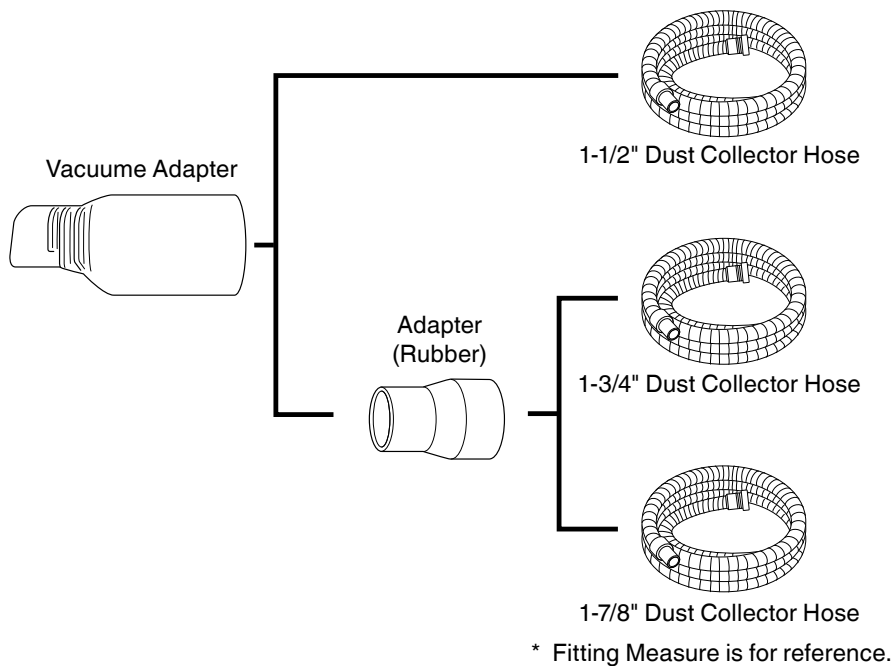


Fig. 10

## MAINTENANCE AND INSPECTION

**⚠ WARNING:** Be sure to switch power OFF and disconnect the plug from the receptacle during maintenance and inspection.

1. Emptying and cleaning the dust bag  
If the dust bag contains too much dust, dust collection will be affected. Empty the dust bag when it gets full. Remove the dust bag, detach the closure band and dispose of the contents.

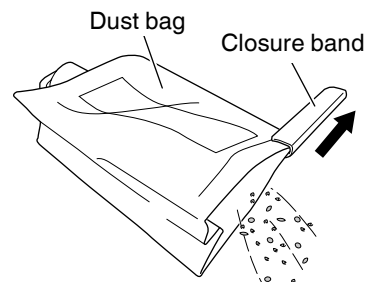


Fig. 11

2. Inspecting the sanding paper  
Since use of worn-out sanding paper will degrade efficiency and cause possible damage to the pad, replace the sanding paper as soon as excessive abrasion is noted.
3. Inspecting the screws  
Regularly inspect all screws and ensure that they are fully tightened. Should any of the screws be loosened, retighten them immediately.

**⚠ WARNING:** Using this random orbit sander with loosened screws is extremely dangerous.

4. Inspecting the carbon brushes  
For your continued safety and electrical shock protection, carbon brush inspection and replacement on this tool should ONLY be performed by a HITACHI AUTHORIZED SERVICE CENTER.
5. Service and repairs  
All quality power tools will eventually require servicing or replacement of parts because of wear from normal use. To assure that only authorized replacement parts will be used, all service and repairs must be performed by a HITACHI AUTHORIZED SERVICE CENTER, ONLY.
6. Service parts list

**⚠ CAUTION:** Repair, modification and inspection of Hitachi Power Tools must be carried out by a HITACHI AUTHORIZED SERVICE CENTER.

This Parts List will be helpful if presented with the tool to the HITACHI AUTHORIZED SERVICE CENTER when requesting repair or other maintenance. In the operation and maintenance of power tools, the safety regulations and standards prescribed in each country must be observed.

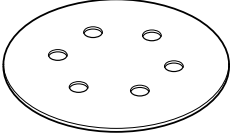
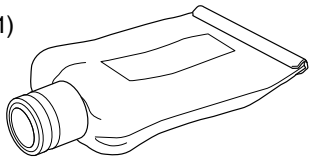

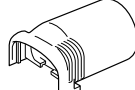

# ACCESSORIES

**⚠ WARNING:** ALWAYS use Only authorized HITACHI replacement parts and accessories. Never use replacement parts or accessories which are not intended for use with this tool. Contact HITACHI if you are not sure whether it is safe to use a particular replacement part or accessory with your tool. The use of any other attachment or accessory can be dangerous and could cause injury or mechanical damage.

**NOTE:**

Accessories are subject to change without any obligation on the part of the HITACHI.

## STANDARD ACCESSORIES

<p>(1) Sanding paper (2 pcs)</p> 	<p>(2) Dust bag (1 pc) (Code No. 371871)</p> 	
<p>(3) Dust bag adapter (1 pc) (Code No. 371873)</p> 	<p>(4) Vacuum adapter (1 pc) (Code No. 371875)</p> 	<p>(5) Adapter (1 pc) (Code No. 371874)</p> 

## OPTIONAL ACCESSORIES ..... sold separately

○ Sanding paper

Size (Outer diameter)	Type	Grit No.	Code No.
5" (125 mm)	Velcro type	AA40	308516
		AA60	308517
		AA80	308518
		AA120	308519
		AA180	308520
		AA240	308521
		AA320	308522
		AA400	308523

○ Polyester buff (Code No. 308515)

**NOTE:**

Specifications are subject to change without any obligation on the part of the HITACHI.

## INFORMATIONS IMPORTANTES DE SÉCURITÉ

Lire et comprendre toutes les précautions de sécurité, les avertissements et les instructions de fonctionnement dans ce mode d'emploi avant d'utiliser ou d'entretenir cet outil motorisé.

La plupart des accidents causés lors de l'utilisation ou de l'entretien de l'outil motorisé proviennent d'un non respect des règles ou précautions de base de sécurité. Un accident peut la plupart du temps être évité si l'on reconnaît une situation de danger potentiel avant qu'elle ne se produise, et en observant les procédures de sécurité appropriées.

Les précautions de base de sécurité sont mises en évidence dans la section "SECURITE" de ce mode d'emploi et dans les sections qui contiennent les instructions de fonctionnement et d'entretien.

Les dangers qui doivent être évités pour prévenir des blessures corporelles ou un endommagement de la machine sont identifiés par AVERTISSEMENTS sur l'outil motorisé et dans ce mode d'emploi.

**NE JAMAIS** utiliser cet outil motorisé d'une manière qui n'est pas spécifiquement recommandée par HITACHI.

## SIGNIFICATION DES MOTS D'AVERTISSEMENT

**AVERTISSEMENT** indique des situations potentiellement dangereuses qui, si elles sont ignorées, pourraient entraîner la mort ou de sérieuses blessures.

**PRÉCAUTION** indique des situations dangereuses potentielles qui, si elles ne sont pas évitées, peuvent entraîner de mineures et légères blessures ou endommager la machine.

**REMARQUE** met en relief des informations essentielles.

# SECURITE

## AVERTISSEMENTS DE SÉCURITÉ GÉNÉRAUX CONCERNANT LES OUTILS ÉLECTRIQUES

### ⚠ AVERTISSEMENT:

**Lire toutes les consignes de sécurité, instructions, illustrations et spécifications fournies avec le présent outil électrique.**

Le non-respect de toutes les instructions ci-dessous peut entraîner une décharge électrique, un incendie et/ou de graves blessures.

**Conservez tous les avertissements et toutes les instructions pour vous y référer ultérieurement.**

Le terme "outil électrique", utilisé dans les avertissements, se réfère aux outils électriques (câblé) ou aux outils à piles (sans fil).

### 1) Sécurité de l'aire de travail

#### a) Maintenir l'aire de travail propre et bien éclairée.

Les endroits encombrés ou sombres sont propices aux accidents.

#### b) Ne pas utiliser d'outils électriques en présence de liquides, gaz ou poussière inflammables, au risque de provoquer une explosion.

Les outils électriques créent des étincelles susceptibles d'enflammer la poussière.

#### c) Ne pas laisser les enfants et les visiteurs s'approcher de vous lorsque vous utilisez un outil électrique.

Les distractions peuvent faire perdre le contrôle.

### 2) Sécurité électrique

#### a) Les prises de l'outil électrique doivent correspondre à la prise secteur. Ne jamais modifier la prise.

#### Ne pas utiliser d'adaptateurs avec les outils électriques mis à la masse.

Les prises non modifiées et les prises secteurs correspondantes réduisent les risques de choc électrique.

#### b) Éviter tout contact avec les surfaces mises à la masse telles que les tuyaux, radiateurs, bandes et réfrigérateurs.

Le risque de choc électrique est accru en cas de mise à la masse du corps.

#### c) Ne pas exposer les outils électriques à la pluie ou à des conditions humides.

Si l'eau pénètre dans l'outil, cela augmente les risques de choc électrique.

#### d) Ne pas utiliser le cordon à tort. Ne jamais utiliser le cordon pour transporter ou débrancher l'outil électrique.

Maintenir le cordon loin de la chaleur, de l'huile, des bords pointus ou des pièces mobiles.

Les cordons endommagés ou usés augmentent les risques de choc électrique.

- e) **En cas d'utilisation d'un outil électrique à l'extérieur, utiliser un cordon de rallonge adapté à un usage extérieur.**  
L'utilisation d'un cordon adapté à l'usage extérieur réduit les risques de choc électrique.
- f) **Si vous devez utiliser un outil électrique dans un endroit humide, utilisez une alimentation protégée contre les courants résiduels.**  
L'utilisation d'un dispositif de protection contre les courants résiduels réduit le risque de choc électrique.
- 3) **Sécurité personnelle**
- a) **Restez alerte, regarder ce que vous faites et usez de votre bon sens en utilisant un outil électrique.**  
**Ne pas utiliser d'outil électrique si vous êtes sous l'influence de drogues, d'alcool ou de médicaments.**  
Pendant l'utilisation d'outils électrique, un instant d'inattention peut entraîner des blessures graves.
- b) **Utiliser un équipement de protection individuelle. Toujours porter des verres de protection.**  
L'utilisation d'équipements de protection tels que les masques anti-poussière, les chaussures de sécurité anti-dérapantes, les casques ou les protections auditives dans des conditions appropriées réduisent les risques de blessures.
- c) **Empêcher les démarrages intempestifs. Veiller à ce que l'interrupteur soit en position d'arrêt avant de brancher à une source d'alimentation et/ou une batterie, de ramasser l'outil au sol ou de le transporter.**  
Transporter les outils électriques avec le doigt sur l'interrupteur ou brancher les outils électriques avec l'interrupteur en position de marche peut entraîner des accidents.
- d) **Retirer toute clé de sécurité ou clé avant de mettre l'outil électrique en marche.**  
Laisser une clé ou une clé de sécurité sur une partie mobile de l'outil électrique peut engendrer des blessures.
- e) **Ne pas trop se pencher. Toujours garder une bonne assise et un bon équilibre pendant le travail.**  
Cela permet un meilleur contrôle de l'outil électrique dans des situations imprévisibles.
- f) **Porter des vêtements adéquats. Ne pas porter de vêtements amples ni de bijoux. Maintenir les cheveux, les vêtements et les gants loin des pièces mobiles.**  
Les vêtements amples ou les cheveux longs peuvent se prendre dans les pièces mobiles.
- g) **En cas de dispositifs destinés au raccordement d'installations d'extraction et de recueil de la poussière, veiller à ce qu'ils soient correctement raccordés et utilisés.**  
L'utilisation d'un dispositif de collecte de la poussière peut réduire les dangers associés à la poussière.
- h) **Ne pas laisser la familiarité due à une utilisation fréquente des outils vous faire baisser la garde et ignorer les principes de sécurité de l'outil.**  
Une fraction de seconde d'inattention peut causer de graves blessures.
- 4) **Utilisation et entretien d'un outil électrique**
- a) **Ne pas forcer sur l'outil électrique. Utiliser l'outil électrique adapté à vos travaux.**  
Le bon outil électrique fera le travail mieux et en toute sécurité au régime pour lequel il a été conçu.
- b) **Ne pas utiliser l'outil électrique si l'interrupteur ne le met pas en position de marche et d'arrêt.**  
Tout outil ne pouvant être contrôlé par l'interrupteur est dangereux et doit être réparé.
- c) **Débrancher la fiche de la source d'alimentation et/ou retirer la batterie, si elle est amovible, de l'outil électrique avant de procéder à tout réglage, changer d'accessoires ou ranger les outils électriques.**  
Ces mesures préventives de sécurité réduisent les risques de démarrage accidentel de l'outil électrique.
- d) **Stockez les outils électriques inutilisés hors de la portée des enfants et ne pas laisser des personnes non familiarisées avec l'outil ou ces instructions utiliser l'outil électrique.**  
Les outils électriques sont dangereux entre les mains d'utilisateurs non habilités.
- e) **Entretien des outils électriques et les accessoires. Contrôler tout mauvais alignement ou grippage des pièces mobiles, toute rupture de pièces et toute autre situation pouvant affecter le fonctionnement de l'outil électrique. Faire réparer l'outil électrique endommagé avant toute utilisation.**  
De nombreux accidents sont dus à des outils mal entretenus.
- f) **Maintenir les outils coupants aiguisés et propres.**  
Des outils coupants bien entretenus avec des bords aiguisés sont moins susceptibles de se coincer et plus simples à contrôler.
- g) **Utiliser l'outil électrique, les accessoires et les mèches de l'outil, etc. conformément à ces instructions en tenant compte des conditions d'utilisation et du travail à réaliser.**  
L'utilisation de l'outil électrique pour des opérations différentes de celles pour lesquelles il a été conçu est dangereuse.



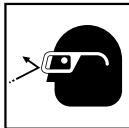
- h) **Conserver les poignées et les surfaces de prise sèches, propres et exemptes d'huile et de graisse.**  
Des poignées et des surfaces de prise glissantes ne permettent pas une manipulation sûre et la maîtrise de l'outil en cas de situations imprévues.
- 5) **Service**  
a) **Faire entretenir l'outil électrique par un technicien habilité à l'aide de pièces de rechange identiques exclusivement.**  
Cela garantira le maintien de la sécurité de l'outil électrique, lesquelles il a été conçu est dangereuse.

#### REGLES DE SECURITE SPECIFIQUES ET SYMBOLES

1. **Tenir les outils par les surfaces de grippage lors de la réalisation d'opération où l'outil de coupe risque d'entrer en contact avec des câbles cachés ou son propre cordon.** Un contact avec un fil "sous tension" mettra les parties métalliques de l'outil "sous tension" et électrocutera l'utilisateur.
  2. **TOUJOURS porter des bouchons d'oreille lors de l'utilisation de l'outil pendant de longues périodes.**  
Une exposition prolongée à un son de forte intensité peut endommager l'ouïe de l'utilisateur.
- 
3. **NE JAMAIS toucher les parties mobiles.**  
**NE JAMAIS** placer ses mains, ses doigts ou toute autre partie de son corps près des parties mobiles de l'outil.
  4. **NE JAMAIS utiliser l'outil sans que tous les dispositifs de sécurité ne soient en place.**  
**NE JAMAIS** faire fonctionner cet outil sans que tous les dispositifs et caractéristiques de sécurité ne soient en place et en état de fonctionnement. Si un entretien ou une réparation nécessite le retrait d'un dispositif ou d'une caractéristique de sécurité, s'assurer de bien remettre en place le dispositif ou la caractéristique de sécurité avant de recommencer à utiliser l'outil.
  5. **Utiliser l'outil correct.**  
Ne pas forcer sur un petit outil ou accessoire pour faire le travail d'un outil de grande puissance.  
Ne pas utiliser un outil pour un usage pour lequel il n'a pas été prévu : par exemple, ne pas utiliser une scie circulaire pour couper des branches d'arbre ou des bûches.
  6. **NE JAMAIS utiliser un outil motorisé pour des applications autres que celles spécifiées.**  
**NE JAMAIS** utiliser un outil motorisé pour des applications autres que celles spécifiées dans le mode d'emploi.

7. **Manipuler l'outil correctement.**  
Utiliser l'outil de la façon indiquée dans ce mode d'emploi. Ne pas laisser tomber ou lancer l'outil.  
**NE JAMAIS** permettre que l'outil soit utilisé par des enfants, des personnes non familiarisées avec son fonctionnement ou un personnel non autorisé.
8. **Maintenir toutes les vis, tous les boulons et les couvercles fermement en place.**  
Maintenir toutes les vis, tous les boulons et les couvercles fermement montés. Vérifier leurs conditions périodiquement.
9. **Ne pas utiliser les outils motorisés si le revêtement de plastique ou la poignée est fendu.**  
Des fentes dans le revêtement ou la poignée peuvent entraîner une électrocution. De tels outils ne doivent pas être utilisés avant d'être réparés.
10. **Les lames et les accessoires doivent être fermement montés sur l'outil.**  
Eviter les blessures potentielles personnelles et aux autres. Les lames, les instruments de coupe et les accessoires qui ont été montés sur l'outil doivent être fixés et serrés fermement.
11. **Garder propres les événements d'air du moteur.**  
Les événements d'air du moteur doivent être maintenus propres de façon que l'air puisse circuler librement tout le temps. Vérifier les accumulations de poussière fréquemment.
12. **Utiliser l'outil motorisé à la tension nominale.**  
Utiliser l'outil motorisé à la tension spécifiée sur sa plaque signalétique.  
Si l'on utilise l'outil motorisé avec une tension supérieure à la tension nominale, il en résultera une rotation anormalement trop rapide du moteur et cela risque d'endommager l'outil et le moteur risque de griller.
13. **NE JAMAIS utiliser un outil défectueux ou qui fonctionne anormalement.**  
Si l'outil n'a pas l'air de fonctionner normalement, fait des bruits étranges ou sans cela paraît défectueux, arrêter de l'utiliser immédiatement et le faire réparer par un centre de service Hitachi autorisé.
14. **NE JAMAIS laisser fonctionner l'outil sans surveillance. Le mettre hors tension.**  
Ne pas abandonner l'outil avant qu'il ne soit complètement arrêté.
15. **Manipuler l'outil motorisé avec précaution.**  
Si un outil motorisé tombe ou frappe un matériau dur accidentellement, il risque d'être déformé, fendu ou endommagé.
16. **Ne pas essuyer les parties en plastique avec du solvant.**  
Les solvants comme l'essence, les diluants, la benzine, le tétrachlorure de carbone et l'alcool peuvent endommager et fissurer les parties en plastique. Ne pas les essuyer avec de tels solvants.  
Essuyer les parties en plastique avec un chiffon doux légèrement imbibé d'une solution d'eau savonneuse et sécher minutieusement.

17. **TOUJOURS** porter des lunettes de protection qui respectent les dernières révisions du Standard ANSI Z87.1.



18. **NE JAMAIS** laisser la ponceuse orbitale rotative sur le sol ou ailleurs pendant qu'elle tourne.
19. **NE JAMAIS** appliquer d'eau ni d'huile de lubrification, car cela pourrait provoquer des chocs électriques.
20. **NE JAMAIS** appuyer la ponceuse orbitale rotative trop fort contre une surface.  
Le fait d'appuyer trop fort sur la ponceuse orbitale rotative peut déchirer la toile émeri ou raccourcir la durée de service de la ponceuse elle-même.
21. **TOUJOURS** utiliser la ponceuse orbitale rotative en toute sécurité pour assurer une utilisation correcte. Cette ponceuse orbitale rotative est une ponceuse à surface plane sèche portable qui a été conçue pour la finition des surfaces en bois ou en métal et des couches de fond.
22. **TOUJOURS** installer la ponceuse solidement.
23. **TOUJOURS** porter un masque de protection lors de l'utilisation de la ponceuse orbitale rotative. Ventilier votre aire de travail adéquatement lors des opérations de ponçage.
24. Définitions pour les symboles utilisés sur cet outil
- V ..... volts
  - Hz ..... hertz
  - A ..... ampères
  - n<sub>o</sub> ..... vitesse sans charge
  - W ..... watt
  - ..... Construction de classe II
  - /min ..... tours par minute
  - ~ ..... Courant alternatif

Dans les cas suivants, nettoyer le sac à poussière et retirer complètement la poussière éventuelle. La poussière demeurant dans le sac à poussière pourrait causer une ignition.

- Ponçage de tôles d'acier après le ponçage de matériaux comme du bois
  - Après avoir complété un travail de ponçage
- Ne pas jeter la poussière du ponçage dans un feu ouvert, car les matériaux sous forme de particule fine peuvent être explosifs :

#### **DOUBLE ISOLATION POUR UN FONCTIONNEMENT PLUS SUR**

Pour assurer un fonctionnement plus sûr de cet outil motorisé, HITACHI a adopté une conception à double isolation. "Double isolation" signifie que deux systèmes d'isolation physiquement séparés ont été utilisés pour isoler les matériaux conducteurs d'électricité connectés à l'outil motorisé à partir du cadre extérieur manipulé par l'utilisateur. C'est pourquoi, le symbole "□" ou les mots "Double insulation" (double isolation) apparaissent sur l'outil motorisé ou sur la plaque signalétique.

Bien que ce système n'ait pas de mise à terre extérieure, il est quand même nécessaire de suivre les précautions de sécurité électrique données dans ce mode d'emploi, y-compris de ne pas utiliser l'outil motorisé dans un environnement humide.

Pour garder le système de double isolation effectif, suivre ces précautions:

- Seuls les SERVICE APRÈS-VENTE HITACHI AGRÉÉ peuvent démonter et remonter cet outil motorisé et uniquement des pièces de rechange HITACHI garanties d'origine doivent être utilisées.
- Nettoyer l'extérieur de l'outil motorisé uniquement avec un chiffon doux légèrement imbibé d'une solution savonneuse et essuyer minutieusement. Ne jamais utiliser des solvants, de l'essence ou des diluants sur les parties en plastique ; sinon le plastique risquerait de se dissoudre.

**CONSERVER CES INSTRUCTIONS  
ET  
LES METTRE A LA DISPOSITION  
DES AUTRES UTILISATEURS  
ET  
PROPRIETAIRES DE CET OUTIL !**

## DESCRIPTION FONCTIONNELLE

### REMARQUE:

Les informations contenues dans ce mode d'emploi sont conçues pour assister l'utilisateur dans une utilisation sans danger et un entretien de l'outil motorisé.

**NE JAMAIS** utiliser ni entreprendre une révision de l'outil sans avoir d'abord lu et compris toutes les instructions de sécurité contenues dans ce manuel.

Certaines illustrations dans ce mode d'emploi peuvent montrer des détails ou des accessoires différents de ceux de l'outil motorisé utilisé.

### NOM DES PARTIES

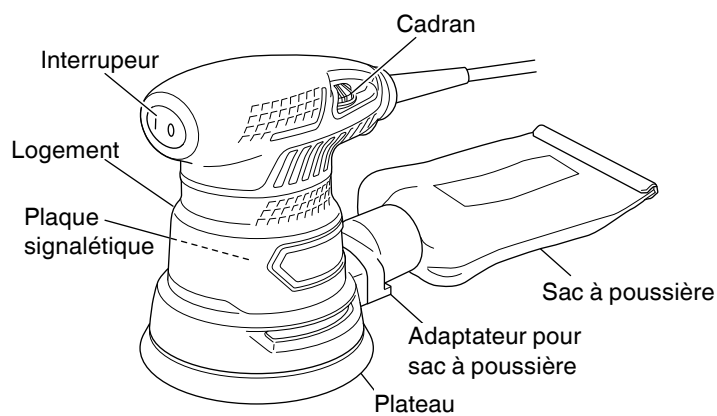


Fig. 1

### SPECIFICATIONS

Modèle	SV13YST
Moteur	Moteur série monophasé à collecteur
Source d'alimentation	Secteur, 120V 60 Hz, monophasé
Courant	2.8 A
Vitesse sans charge	9,000 – 13,000/min
Dimension du coussinet (Diamètre extérieur)	4-7/8" (122 mm)
Dimension du papier du verre (Diamètre extérieur)	5" (125 mm)
Poids	3.1 lbs. (1.4 kg)

# ASSEMBLAGE ET FONCTIONNEMENT

## APPLICATIONS

- Dégrossissage ou finition de surfaces en bois ou en métal.
- Ponçage préliminaire de surfaces en bois ou en métal avant de peindre.
- Pour enlever la peinture.
- Pour enlever la rouille.

## AVANT L'UTILISATION

1. Source d'alimentation  
S'assurer que la source d'alimentation qui doit être utilisée est conforme à la source d'alimentation requise spécifiée sur la plaque signalétique du produit.
2. Interrupteur d'alimentation  
S'assurer que l'interrupteur est sur la position OFF (arrêt). Si la fiche est connectée sur une prise alors que l'interrupteur est sur la position ON (marche), l'outil motorisé démarrera immédiatement risquant de causer de sérieuses blessures.
3. Cordon prolongateur  
Quand la zone de travail est éloignée de la source d'alimentation, utiliser un cordon prolongateur d'épaisseur et de capacité nominale suffisante. Le cordon prolongateur doit être aussi court que possible.



### AVERTISSEMENT:

**Tout cordon endommagé devra être remplacé ou réparé.**

4. Vérifier la prise  
Si la prise reçoit la fiche avec beaucoup de jeu, elle doit être réparée. Contacter un électricien licencié pour réaliser les réparations nécessaires.  
Si une telle prise défectueuse est utilisée, elle peut causer une surchauffe entraînant des dangers sérieux.
5. Vérifier l'environnement de travail  
S'assurer des points suivants avant de travail;
  - Pas de gaz, liquide ou objet inflammable sur le chantier.
  - Le ponçage d'une tôle d'acier fine peut provoquer un bruit assourdissant.  
Dans ce cas, mettre un tapis en caoutchouc sous la pièce.
  - Prendre les mesures anti-bruit qui s'imposent pour éviter tout effet néfaste du bruit électrique sur l'environnement.
  - Eloigner les enfants et toutes les personnes non autorisées.

6. Installation du papier de verre

Grâce à la fixation à rabattement, il suffit de poser le papier de verre sur la patin pour le mettre en place. Quand vous installez le papier de verre, pour qu'il corresponde aux deux orifices sur le patin, pliez-le le long de l'axe des deux orifices comme illustré sur la Fig. 2.

Ensuite, servez-vous des orifices le long de la pliure en tant que guide pour faire correspondre le papier de verre au patin. Enfin, pressez le papier de verre de façon uniforme sur le patin.

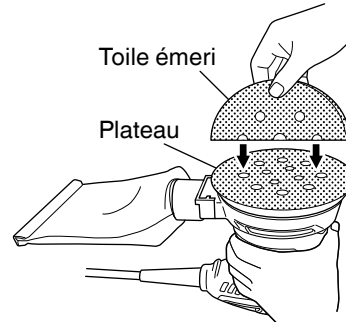


Fig. 2

**⚠ AVERTISSEMENT:**

Pour éviter tout accident, bien couper l'interrupteur d'alimentation (OFF) et débrancher la fiche.

**⚠ PRÉCAUTION:**

- **Seulement utiliser la taille de papier de verre spécifiée sur la plaque signalétique du produit.**
- **Ne pas utiliser des accessoires avec une adhérence médiocre.**

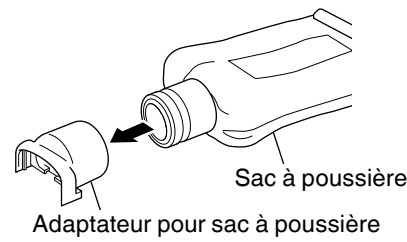


Fig. 3

7. Fixation et retrait du sac à poussière

Fixation du sac à poussière à l'adaptateur pour sac à poussière.

Tenir l'adaptateur pour sac à poussière et le pousser dans le sens de la flèche A pour le fixer au sac à poussière, comme indiqué par la Fig. 3.

Pour fixer le sac à poussière (Fig. 4):

- (1) Débrancher la ponceuse.
- (2) Aligner la nervure saillante sur le sac à poussière avec les rainures sur la ponceuse, et ensuite fixer le sac à poussière à la ponceuse.

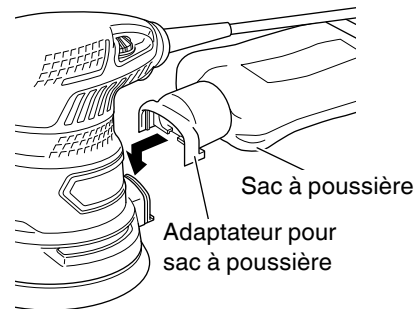


Fig. 4

**REMARQUE:**

Assurer que le sac à poussière est sécurisé sur l'outil avant de commencer l'opération.

Pour détacher le sac à poussière :

- (1) Débrancher la ponceuse.
- (2) Tirer le sac à poussière vers le haut et le retirer de l'outil.

**REMARQUE:**

Lors du placement du sac à poussière sur l'outil, veiller à ce que la nervure saillante sur le sac à poussière s'aligne avec la rainure sur la ponceuse et que le sac à poussière se loge en place correctement. Une fixation incorrecte du sac à poussière peut causer des dommages aux composants internes.

8. Réglage de la vitesse

La ponceuse est équipée d'un circuit de contrôle électrique qui permet un contrôle de vitesse progressif. Pour régler la vitesse, tourner le cadran montré à la Fig. 5. Quand le cadran est réglé sur "1", la ponceuse orbitale rotative fonctionne à la vitesse minimale (9,000/min). Quand le cadran est réglé sur "6" la ponceuse orbitale rotative fonctionne à la vitesse maximale (13,000/min). Régler la vitesse suivant le matériel devant être coupé et le rendement de travail.

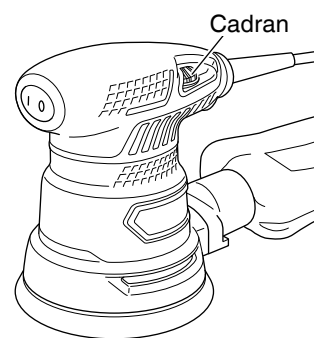


Fig. 5

Réglez la vitesse sur l'échelle graduée selon le matériau et le type de travail à effectuer.

Matériau	Grain		Echelle graduée
	Polissage grossier	Polissage fin	
Travail de peinture:			
Ponçage	180	400	3 – 6
Opérations de ponçage (éraflures, taches de rouille)	120	240	2 – 4
Dévernissage	40	80	2 – 4
Bois:			
Bois mou	60 – 80	240	3 – 6
Bois dur	60	180	3 – 5
Contreplaqué	240	320	2 – 4
Métaux:			
Aluminium	80	240	2 – 4
Acier	60	240	3 – 6
Acier inoxydable	120	240	3 – 6

**REMARQUE:** Veuillez utiliser ce tableau comme standard.

## UTILISATION DE LA PONCEUSE ORBITALE ROTATIVE

**⚠ AVERTISSEMENT:** Ne jamais utiliser d'eau ou de fluide de ponçage au cours des opérations de ponçage. Cela peut entraîner un risque de commotion électrique.

1. Comment tenir la ponceuse orbitale rotative  
Tenir l'enveloppe et presser légèrement la ponceuse sur la surface à poncer de manière à ce que le papier de verre soit uniformément en contact avec la surface à poncer, comme indiqué par la Fig. 6. NE JAMAIS appliquer une pression excessive sur la ponceuse au cours du ponçage. Une pression excessive peut provoquer une surcharge du moteur, réduire la durée de vie du papier de verre et diminuer l'efficacité du ponçage ou du polissage.

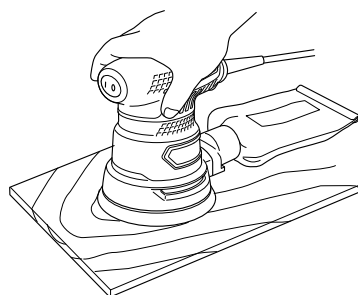


Fig. 6

2. Comment déplacer la ponceuse  
Déplacez-la en la bougeant vers le haut et le bas ou en effectuant des cercles de plus en plus grands. (Fig. 7 et 8)
3. Mise en MARCHÉ et ARRÊT de la ponceuse  
La ponceuse peut être mise sous tension en mettant l'interrupteur sur MARCHÉ (ON) (I) et hors tension en mettant l'interrupteur sur ARRÊT (OFF) (O).

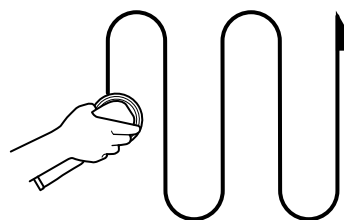


Fig. 7

### REMARQUE:

Ne jamais mettre l'interrupteur d'alimentation sur MARCHÉ (ON) lorsque la ponceuse est en contact avec la surface à poncer. Cette précaution est nécessaire pour éviter d'endommager la pièce à travailler. La même précaution doit être prise lorsque l'interrupteur d'alimentation est mis sur ARRÊT (OFF).

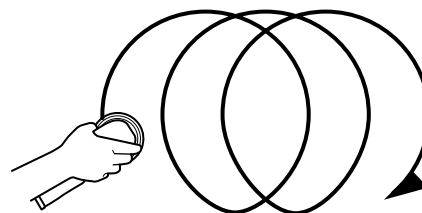


Fig. 8

### ⚠ ATTENTION:

- Toujours éteindre la ponceuse et la débrancher immédiatement après l'utilisation.
- La ponceuse pouvant aspirer de la poussière et des débris, veiller à ne pas la placer dans un endroit accusant une forte présence de poussière et de débris lorsqu'elle est encore en train de tourner tout de suite après l'utilisation.
- En regardant du dessus, le coussinet tourne dans le sens horaire pendant l'opération avec charge, mais il peut tourner dans le sens anti-horaire pendant l'opération sans charge.
- Ne jamais faire fonctionner l'outil sans papier de verre. Vous pourriez sérieusement endommager la plaque de soutien.
- L'utilisation de l'outil avec le bord de la plaque de soutien en contact avec la pièce à travailler peut endommager la plaque de soutien.

## INSTALLATION DES ACCESSOIRES EN OPTION

**⚠ AVERTISSEMENT:** Pour éviter tout accident, bien couper l'interrupteur d'alimentation (OFF) et débrancher la fiche.

- Installation du disque en polyester  
Etant donné que la fixation est de type à rabattement comme pour le papier de verre, il suffit de presser le disque en polyester contre le patin pour l'installer (Fig. 9).

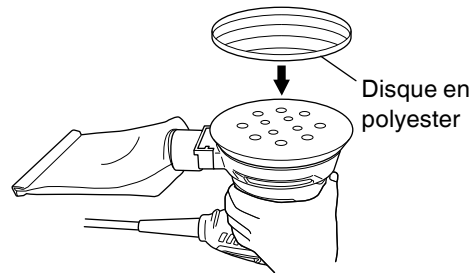


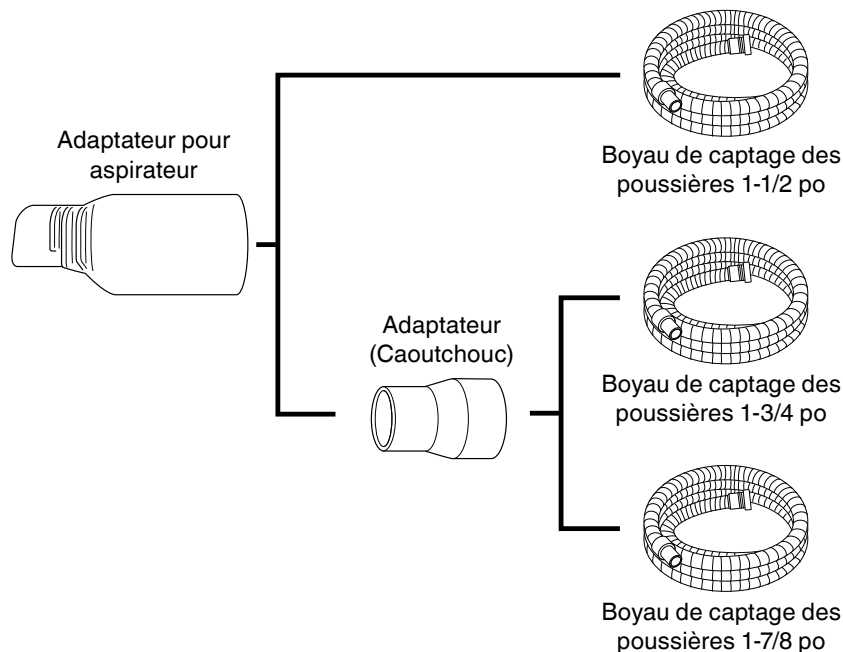
Fig. 9

## FIXATION DU CAPTEUR DE POUSSIÈRE

### Système d'extraction externe:

Insérer la buse d'extraction de la poussière (voir le chapitre sur les Accessoires). Raccorder un appareil d'extraction adapté.

Utiliser un boyau d'aspiration avec l'adaptateur pour aspirateur et l'adaptateur. Voir la section Accessoires.



\* La mesure du raccord est pour référence.

Fig. 10



## ENTRETIEN ET INSPECTION

**⚠ AVERTISSEMENT:** S'assurer de mettre l'interrupteur d'alimentation sur la position OFF et de déconnecter la fiche de la prise secteur avant l'entretien et l'inspection de la meuleuse.

1. Vidage et nettoyage du sac à poussière  
Si le sac à poussière contient trop de poussière, le captage de la poussière en sera affecté. Vider le sac lorsqu'il est plein.  
Retirer le sac à poussière, détacher la bande de fermeture et jeter le contenu.
2. Vérification du papier de verre  
Remplacer le papier de verre dès que des traces d'usure excessive sont visibles, car l'utilisation d'un papier de verre trop usé diminuera l'efficacité des opérations et risque, de plus, d'endommager le coussinet.
3. Inspection des vis  
Inspecter régulièrement toutes les vis et s'assurer qu'elles sont serrées à fond. Si l'une des vis était desserrée, la resserrer immédiatement.



Fig. 11

**⚠ AVERTISSEMENT:** Utiliser la ponceuse orbitale rotative avec des vis desserrées est extrêmement dangereux.

4. Inspection des balais en carbone  
Pour assurer à tout moment la sécurité et la protection contre les chocs électrique, confier l'inspection et le remplacement des balais en carbone de l'outil EXCLUSIVEMENT à UN CENTRE DE SERVICE APRÈS -VENTE AGRÉÉ PAR HITACHI.
5. Entretien et réparation  
Tous les outils motorisés de qualité auront éventuellement besoin d'une réparation ou du remplacement d'une pièce à cause de l'usure normale de l'outil. Pour assurer que seules des pièces de rechange autorisées seront utilisées, tous les entretiens et les réparations doivent être effectués uniquement par SERVICE APRÈS-VENTE HITACHI AGRÉÉ.
6. Liste des pièces de rechange

**⚠ PRÉCAUTION:** Les réparations, modifications et inspections des outils électriques Hitachi doivent être confiées à un SERVICE APRÈS-VENTE HITACHI AGRÉÉ.

Il sera utile de présenter cette liste de pièces au SERVICE APRÈS-VENTE HITACHI AGRÉÉ lorsqu'on apporte un outil nécessitant des réparations ou tout autre entretien.  
Lors de l'utilisation et de l'entretien d'un outil électrique, respecter les règlements et les normes de sécurité en vigueur dans le pays en question.

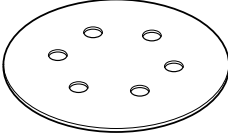
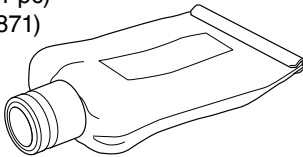

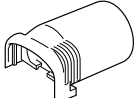
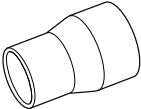
# ACCESSOIRES

**⚠ AVERTISSEMENT:** TOUJOURS utiliser uniquement des pièces de rechange et des accessoires HITACHI. NE JAMAIS utiliser de pièce de rechange ou d'accessoires qui ne sont pas prévus pour être utilisés avec cet outil. En cas de doute, contacter HITACHI pour savoir si une pièce de rechange ou un accessoire particulier peuvent être utilisés en toute sécurité avec votre outil. L'utilisation de tout autre attachement ou accessoire peut être dangereux et peut causer des blessures ou des dommages mécaniques.

**REMARQUE:**

Les accessoires sont sujets à changement sans obligation de la part de HITACHI.

## ACCESSOIRES STANDARD

<p>(1) Papier de verre (2 pcs)</p> 	<p>(2) Sac à poussière (1 pc) (No de code. 371871)</p> 	
<p>(3) Adaptateur pour sac à poussière (1 pc) (No de code. 371873)</p> 	<p>(4) Adaptateur pour aspirateur (1 pc) (No de code. 371875)</p> 	<p>(5) Adaptateur (1 pc) (No de code. 371874)</p> 

## ACCESSOIRES SUR OPTION ..... vendus séparément

○ Toile émeri

Taille (Diamètre extérieur)	Type	N° de grain	N° de code
5" (125 mm)	Type Velcro	AA40	308516
		AA60	308517
		AA80	308518
		AA120	308519
		AA180	308520
		AA240	308521
		AA320	308522
AA400	308523		

○ Toile de lustrage en polyester (Code No. 308515)

**REMARQUE:**

Les spécifications sont sujettes à modification sans aucune obligation de la part de HITACHI.

## INFORMACIÓN IMPORTANTE SOBRE SEGURIDAD

Antes de utilizar o de realizar cualquier trabajo de mantenimiento de esta herramienta eléctrica, lea y comprenda todas las precauciones de seguridad, advertencias e instrucciones de funcionamiento de este Manual de instrucciones.

La mayoría de los accidentes producidos en la operación y el mantenimiento de una herramienta eléctrica se deben a la falta de observación de las normas o precauciones de seguridad. Los accidentes normalmente podrán evitarse reconociendo una situación potencialmente peligrosa a tiempo y siguiendo los procedimientos de seguridad apropiados.

Las precauciones básicas de seguridad se describen en la sección "SEGURIDAD" de este Manual de instrucciones y en las secciones que contienen las instrucciones de operación y mantenimiento.

Para evitar lesiones o el daño de la herramienta eléctrica, los riesgos están identificados con ADVERTENCIAS en dicha herramienta y en este Manual de instrucciones.

No utilice **NUNCA** esta herramienta eléctrica de ninguna forma que no esté específicamente recomendada por HITACHI.

## SIGNIFICADO DE LAS PALABRAS DE SEÑALIZACIÓN

**ADVERTENCIA** indica situaciones potencialmente peligrosas que, si se ignoran, pueden resultar en la muerte o en lesiones de gravedad.

**PRECAUCIÓN** indica situaciones potencialmente peligrosas que, de no evitarse, pueden resultar en lesiones menores o moderadas, o causar daños en la herramienta eléctrica.

**NOTA** acentúa información esencial.

# SEGURIDAD

## ADVERTENCIAS DE SEGURIDAD GENERAL DE LA HERRAMIENTA ELÉCTRICA

### ⚠ **ADVERTENCIA:**

**Lea todas las advertencias de seguridad, instrucciones, ilustraciones y especificaciones proporcionadas con esta herramienta eléctrica.**

Si no sigue las instrucciones que se indican a continuación, podrían producirse descargas eléctricas, incendios o lesiones graves.

**Guarde todas las advertencias e instrucciones para futura referencia.**

El término "herramienta eléctrica" en las advertencias hace referencia a la herramienta eléctrica que funciona con la red de suministro (con cable) o a la herramienta eléctrica que funciona con pilas (sin cable).

### 1) Seguridad en el área de trabajo

#### a) Mantenga la zona de trabajo limpia y bien iluminada.

Las zonas desordenadas o oscuras pueden provocar accidentes.

#### b) No utilice las herramientas eléctricas en entornos explosivos como, por ejemplo, en presencia de líquidos inflamables, gases o polvo.

Las herramientas eléctricas crean chispas que pueden hacer que el polvo desprenda humo.

#### c) Mantenga a los niños y transeúntes alejados cuando utilice una herramienta eléctrica.

Las distracciones pueden hacer que pierda el control.

### 2) Seguridad eléctrica

#### a) Los enchufes de las herramientas eléctricas tienen que ser adecuados a la toma de corriente. No modifique el enchufe.

#### No utilice enchufes adaptadores con herramientas eléctricas conectadas a tierra.

Si no se modifican los enchufes y se utilizan tomas de corriente adecuadas se reducirá el riesgo de descarga eléctrica.

#### b) Evite el contacto corporal con superficies conectadas a tierra como tuberías, radiadores y frigoríficos.

Hay mayor riesgo de descarga eléctrica si su cuerpo está en contacto con el suelo.

#### c) No exponga las herramientas eléctricas a la lluvia o a la humedad.

La entrada de agua en una herramienta eléctrica aumentará el riesgo de descarga eléctrica.

#### d) No utilice el cable incorrectamente. No utilice el cable para transportar, tirar de la herramienta eléctrica o desenchufarla.

**Mantenga el cable alejado del calor, del aceite, de bordes afilados o piezas móviles.**

Los cables dañados o enredados aumentan el riesgo de descarga eléctrica.

- e) **Cuando utilice una herramienta eléctrica al aire libre, utilice un cable prolongador adecuado para utilizarse al aire libre.**  
La utilización de un cable adecuado para usarse al aire libre reduce el riesgo de descarga eléctrica.
- f) **Si no se puede evitar el uso de una herramienta eléctrica en un lugar húmedo, utilice un suministro protegido mediante un dispositivo de corriente residual (RCD).**  
El uso de un RCD reduce el riesgo de descarga eléctrica.
- 3) **Seguridad personal**
- a) **Esté atento, preste atención a lo que hace y utilice el sentido común cuando utilice una herramienta eléctrica.**  
**No utilice una herramienta eléctrica cuando esté cansado o esté bajo la influencia de drogas, alcohol o medicación.**  
La distracción momentánea cuando utiliza herramientas eléctricas puede dar lugar a importantes daños personales.
- b) **Utilice un equipo de protección. Utilice siempre una protección ocular.**  
El equipo de protección como máscara para el polvo, zapatos de seguridad antideslizantes, casco o protección para oídos utilizado para condiciones adecuadas reducirá los daños personales.
- c) **Evite un inicio involuntario. Asegúrese de que el interruptor está en "off" antes de conectar la herramienta a una fuente de alimentación y/o batería, cogerla o transportarla.**  
El transporte de herramientas eléctricas con el dedo en el interruptor o el encendido de herramientas eléctricas con el interruptor encendido puede provocar accidentes.
- d) **Retire las llaves de ajuste antes de encender la herramienta eléctrica.**  
Si se deja una llave en una pieza giratoria de la herramienta eléctrica podrían producirse daños personales.
- e) **No se extralimite. Mantenga un equilibrio adecuado en todo momento.**  
Esto permite un mayor control de la herramienta eléctrica en situaciones inesperadas.
- f) **Vístase adecuadamente. No lleve prendas sueltas o joyas. Mantenga el pelo, la ropa y los guantes alejados de las piezas móviles.**  
La ropa suelta, las joyas y el pelo largo pueden pillarse en las piezas móviles.
- g) **Si se proporcionan dispositivos para la conexión de extracción de polvo e instalaciones de recogida, asegúrese de que están conectados y se utilizan adecuadamente.**


La utilización de un sistema de recogida de polvo puede reducir los riesgos relacionados con el polvo.

- h) **No permita que opere frecuentemente con herramientas le haga ser complaciente e ignore los principios de seguridad de la herramienta.**  
Una acción descuidada puede provocar lesiones severas en una fracción de segundo.
- 4) **Utilización y mantenimiento de las herramientas eléctricas**
- a) **No fuerce la herramienta eléctrica. Utilice la herramienta eléctrica correcta para su aplicación.**  
La herramienta eléctrica correcta trabajará mejor y de forma más segura si se utiliza a la velocidad para la que fue diseñada.
- b) **No utilice la herramienta eléctrica si el interruptor no la enciende y apaga.**  
Las herramientas eléctricas que no pueden controlarse con el interruptor son peligrosas y deben repararse.
- c) **Desconecte el conector de la fuente de alimentación o desconecte el paquete de baterías, si puede ser desmontado, de la herramienta eléctrica antes de realizar ajustes, cambiar accesorios o almacenar las herramientas eléctricas.**  
Estas medidas de seguridad preventivas reducen el riesgo de que la herramienta eléctrica se ponga en marcha accidentalmente.
- d) **Guarde las herramientas eléctricas que no se utilicen para que no las cojan los niños y no permita que utilicen las herramientas eléctricas personas no familiarizadas con las mismas o con estas instrucciones.**  
Las herramientas eléctricas son peligrosas si son utilizadas por usuarios sin formación.
- e) **Mantenga adecuadamente las herramientas eléctricas y los accesorios. Verifique el fallo de alineación o de unión de las partes móviles, la rotura de las partes y otras condiciones que puedan afectar a la operación de la herramienta eléctrica. Si sufre daños, solicite una reparación de la herramienta eléctrica antes de ser utilizada.**  
Se producen muchos accidentes por no realizar un mantenimiento correcto de las herramientas eléctricas.
- f) **Mantenga las herramientas de corte afiladas y limpias.**  
Las herramientas de corte correctamente mantenidas con los bordes de corte afilados son más fáciles de controlar.
- g) **Utilice la herramienta eléctrica, los accesorios y las brocas de la herramienta, etc. de acuerdo con estas instrucciones, teniendo en cuenta las condiciones laborales y el trabajo que se va a realizar.**

La utilización de la herramienta eléctrica para operaciones diferentes a pretendidas podría dar lugar a una situación peligrosa.

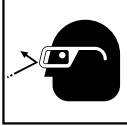
- h) **Mantenga los asideros y las superficies de agarre secas, limpias y libres de aceite y grasa.**  
Los asideros y las superficies de agarre resbaladizas no permiten un manejo y un control seguros de la herramienta en situaciones inesperadas.
- 5) **Revisión**  
a) **Lleve su herramienta a que la revise un experto cualificado que utilice sólo piezas de repuesto idénticas.**  
Esto garantizará el mantenimiento de la seguridad de la herramienta eléctrica.

#### **NORMAS Y SÍMBOLOS ESPECÍFICOS DE SEGURIDAD**

1. **Sujete las herramientas por las superficies de empuñadura aisladas cuando realice una operación en la que la herramienta de corte pueda entrar en contacto con cables ocultos o con su propio cable de alimentación.** El contacto con un conductor "activo" "activará" las partes metálicas de la herramienta y el operador recibirá una descarga eléctrica.
2. **SIEMPRE utilice protectores auditivos cuando tenga que utilizar la herramienta durante mucho tiempo.**  
La exposición prolongada a ruido de gran intensidad puede causar la sordera.
- 
3. **NO toque NUNCA las piezas móviles.**  
NO coloque NUNCA sus manos, dedos, ni demás partes del cuerpo cerca de las piezas móviles de la herramienta.
4. **NO utilice NUNCA la herramienta sin los protectores colocados en su lugar.**  
NO utilice NUNCA esta herramienta sin los protectores de seguridad correctamente instalados. Si el trabajo de mantenimiento o de reparación requiere el desmontaje de un protector de seguridad, cerciórese de volver a instalarlo antes de utilizar la herramienta.
5. **Utilice la herramienta correcta.**  
No fuerce herramientas ni accesorios pequeños para realizar un trabajo pesado.  
No utilice las herramientas para fines no proyectados, por ejemplo, no utilice una sierra circular para cortar ramas o lenos.
6. **NO utilice NUNCA una herramienta eléctrica para aplicaciones que no sean las especificadas.**  
NO utilice NUNCA una herramienta eléctrica para aplicaciones no especificadas en este Manual de instrucciones.

7. **Maneje correctamente la herramienta.**  
Maneje la herramienta de acuerdo con las instrucciones ofrecidas aquí. No deje caer ni tire la herramienta. **NO** permita **NUNCA** que los niños ni otras personas no autorizadas ni familiarizadas con la operación de la herramienta utilicen ésta.
8. **Mantenga todos los tornillos, pernos, y cubiertas firmemente fijados en su lugar.**  
Mantenga todos los tornillos, pernos, y cubiertas firmemente montados. Compruebe periódicamente su condición.
9. **No utilice herramientas eléctricas si la carcasa o la empuñadura de plástico está rajada.**  
Las rajaduras en la carcasa o en la empuñadura de plástico pueden conducir a descargas eléctricas. Tales herramientas no deberán utilizarse mientras no se hayan reparado.
10. **Las cuchillas y los accesorios deberán montarse con seguridad en la herramienta.**  
Evite lesiones personales y de otras personas. Las cuchillas, los accesorios de corte, y demás accesorios montados en la herramienta deberán fijarse con seguridad.
11. **Mantenga limpio el conducto de ventilación del motor.**  
El conducto de ventilación del motor limpio para que el aire pueda circular libremente en todo momento. Compruebe frecuentemente y limpie el polvo acumulado.
12. **Utilice las herramientas eléctricas con la tensión de alimentación nominal.**  
Utilice las herramientas eléctricas con las tensiones indicadas en sus placas de características. La utilización de una herramienta eléctrica con una tensión superior a la nominal podría resultar en revoluciones anormalmente altas del motor, en el daño de la herramienta, y en la quemadura del motor.
13. **NO utilice NUNCA una herramienta defectuosa o que funcione anormalmente.**  
Si la herramienta parece que funciona anormalmente, produciendo ruidos extraños, etc., deje inmediatamente de utilizarla y solicite su arreglo a un centro de servicio autorizado por Hitachi.
14. **NO deje NUNCA la herramienta en funcionamiento desatendida. Desconecte su alimentación.**  
No deje sola la herramienta hasta mientras no se haya parado completamente.
15. **Maneje con cuidado las herramientas eléctricas.**  
Si una herramienta eléctrica se ha caído o ha chocado inadvertidamente contra materiales duros, es posible que se haya deformado, rajado, o dañado.
16. **No limpie las partes de plástico con disolvente.**  
Los disolventes, como gasolina, diluidor de pintura, bencina, tetracloruro de carbono, y alcohol pueden dañar o rajar las partes de plástico. No las limpie con tales disolventes.  
Limpie las partes de plástico con un paño suave ligeramente humedecido en agua jabonosa y después séquelas bien.

17. **SIEMPRE** utilice gafas protectoras que cumplan con los requerimientos de la última revisión de la norma ANSI Z87.1.



18. **NUNCA** deje la lijadora orbital en el suelo mientras esté funcionando.
19. **No** aplique **NUNCA** agua ni aceite lubricante, o podrían producirse descargas eléctricas.
20. **NUNCA** apriete con demasiada fuerza la lijadora orbital contra una superficie.  
Empujando la lijadora orbital con demasiada fuerza, el papel de lija podría romperse y podría verse afectada la vida útil de la máquina.
21. Maneje **SIEMPRE** la lijadora orbital de acuerdo con las instrucciones de seguridad.  
La lijadora orbital es una lijadora portátil plana y en seco diseñada para pulir superficies de madera y metal, así como esmaltes base.
22. Coloque **SIEMPRE** el papel de lija de forma segura.
23. **SIEMPRE** lleve una máscara protectora cuando opere la lijadora orbital.  
Ventile el área de trabajo adecuadamente cuando realice operaciones de lijado.
24. Definiciones para las magnitudes utilizadas en esta herramienta
- V .....tensión eléctrica  
Hz .....hertzios  
A .....amperios  
n<sub>o</sub> ..... velocidad sin carga  
W .....vatios  
□ ..... Construcción de clase II  
---/min .....revoluciones por minuto  
~ .....Corriente alterna

En los siguientes casos, limpie la bolsa colectora de polvo y elimine totalmente el polvo.

El polvo restante en la bolsa colectora de polvo puede causar incendios.

- Lijar láminas de acero luego de lijar materiales como madera.
- Tras finalizar trabajos de lijado.

No tire el polvo de lijado sobre el fuego, ya que los materiales en forma de partículas finas pueden ser explosivos:

#### AISLAMIENTO DOBLE PARA OFRECER UNA OPERACIÓN MÁS SEGURA

Para garantizar una operación más segura de esta herramienta eléctrica, HITACHI ha adoptado un diseño de aislamiento doble. "Aislamiento doble" significa que se han utilizado dos sistemas de aislamiento físicamente separados para aislar los materiales eléctricamente conductores conectados a la fuente de alimentación del bastidor exterior manejado por el operador. Por lo tanto, en la herramienta eléctrica o en su placa de características aparecen el símbolo "□" o las palabras "Double insulation" (aislamiento doble).

Aunque este sistema no posee puesta a tierra externa, usted deberá seguir las precauciones sobre seguridad eléctrica ofrecidas en este Manual de instrucciones, incluyendo la no utilización de la herramienta eléctrica en ambientes húmedos.

Para mantener efectivo el sistema de aislamiento doble, tenga en cuenta las precauciones siguientes:

- Esta herramienta eléctrica solamente deberá desensamblar y ensamblarla un CENTRO DE SERVICIO AUTORIZADO DE HITACHI, y solamente deberán utilizarse con ella piezas de reemplazo genuinas de HITACHI.
- Limpie el exterior de la herramienta eléctrica solamente con un paño suave humedecido en agua jabonosa, y después séquela bien.  
No utilice disolventes, gasolina, ni diluidor de pintura para limpiar las partes de plástico, ya que podría disolverlas.

**¡GUARDE ESTAS INSTRUCCIONES  
Y  
PÓNGALAS A DISPOSICIÓN DE  
OTROS USUARIOS  
Y  
PROPIETARIOS DE ESTA  
HERRAMIENTA!**

## DESCRIPCIÓN FUNCIONAL

### NOTA:

La información contenida en este Manual de instrucciones ha sido diseñada para ayudarle a utilizar con seguridad y mantener esta herramienta eléctrica.

**NUNCA** haga funcionar ni efectúe el mantenimiento de la herramienta antes de leer y comprender todas las instrucciones de seguridad contenidas en este manual.

Algunas ilustraciones de este Manual de Instrucciones pueden mostrar detalles o accesorios diferentes a los de la propia herramienta eléctrica.

### NOMENCLATURA

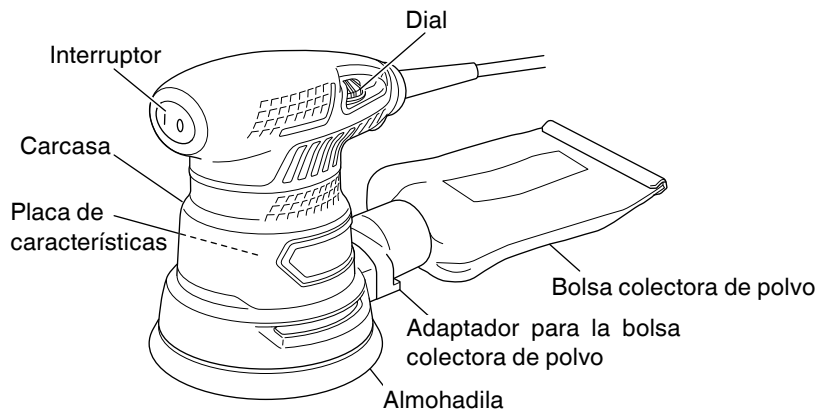


Fig. 1

### SPECIFICATIONS

Modelo	SV13YST
Motor	Motor conmutador en serie monofásico
Fuente de alimentación	120 V c.a., 60 Hz, monofásica
Corriente	2.8 A
Velocidad de marcha en vacío	9,000 – 13,000/min
Medida del disco esmerilado (Diámetro externo)	4-7/8" (122 mm)
Medida del papel esmeril (Diámetro externo)	5" (125 mm)
Peso	3.1 lbs. (1.4 kg)

# MONTAJE Y OPERACIÓN

## APLICACIONES

- Desbastado o acabado de superficies de madera y de metal.
- Lijado preliminar de superficies de madera y metal antes de pintar.
- Eliminación de pintura.
- Eliminación de óxido.

## ANTES DE LA OPERACIÓN

1. Fuente de alimentación  
Cerciórese de que la fuente de alimentación que vaya a utilizar cumpla los requisitos indicados en la placa de características del producto.
2. Interruptor de alimentación  
Cerciórese de que el interruptor de alimentación esté en la posición OFF. Si enchufase el cable de alimentación en un tomacorriente de la red con el interruptor en ON, la herramienta eléctrica comenzaría a funcionar inmediatamente, lo que podría provocar lesiones serias.
3. Cable prolongador  
Cuando el área de trabajo esté alejada de la fuente de alimentación, utilice un cable prolongador de suficiente grosor y con la capacidad nominal. El cable prolongador deberá mantenerse lo más corto posible.



**⚠ ADVERTENCIA:**  
**Si un cable está dañado deberá reemplazarse o repararse.**

4. Comprobación del tomacorriente  
Si el enchufe del cable de alimentación queda flojo en el tomacorriente, habrá que reparar éste. Póngase en contacto con un electricista cualificado para que realice las reparaciones adecuadas.  
Si utilizase un tomacorriente en este estado, podría producirse recalentamiento, lo que supondría un riesgo serio.
5. Revise el entorno de trabajo  
Antes de empezar a trabajar, compruebe lo siguiente:
  - Ausencia en el lugar de trabajo de gases, líquidos u objetos inflamables.
  - Al lijar chapas delgadas de metal podría producirse mucho estruendo.  
En ese caso, coloque una alfombrilla de plástico debajo de la pieza de trabajo.
  - Tome las medidas necesarias en cuanto a insonorización, para evitar los efectos negativos en el medio ambiente debido al ruido eléctrico.
  - Evite la presencia de niños o personal no autorizado.



#### 6. Instalación del papel de lija

Como la fijación es de tipo gancho y bucle, el papel de lija podrá instalarse fácilmente presionándolo simplemente en la almohadilla. Cuando instale el papel de lija, para hacerlo coincidir con los orificios de la almohadilla, dóblelo suavemente a lo largo del eje de dos orificios como se muestra en la Fig. 2.

A continuación, utilice los orificios a lo largo de la doblez como guía para adaptar el papel de lija a la almohadilla. Finalmente, presione todo el papel de lija uniformemente contra la almohadilla.

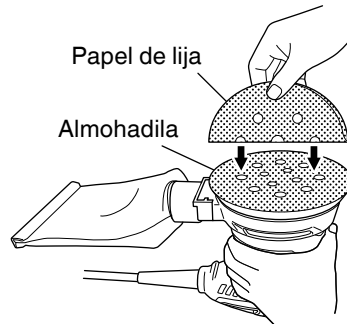


Fig. 2

#### ⚠ ADVERTENCIA:

**Asegúrese de apagar la alimentación y de desconectar la clavija para evitar accidentes.**

#### ⚠ PRECAUCIÓN:

- Use solamente el tamaño de papel de lija especificado en la placa de características del producto.
- No use accesorios que tengan una capacidad adhesiva deficiente.

#### 7. Fijación y extracción de la bolsa colectora de polvo

Acoplar la bolsa colectora de polvo al adaptador para la bolsa colectora de polvo. Como se muestra en la Fig. 3, agarre el adaptador para la bolsa colectora de polvo y empújelo en la dirección de la flecha A para conectarlo a la bolsa colectora de polvo.

Para acoplar la bolsa colectora de polvo (Fig. 4):

- (1) Desconecte la lijadora.
- (2) Alinee la estría elevada de la bolsa colectora de polvo con las ranuras de la lijadora, y conecte la bolsa colectora de polvo a la lijadora.

#### NOTA:

Antes de empezar a operar, asegúrese de que la bolsa colectora de polvo está asegurada a la herramienta.

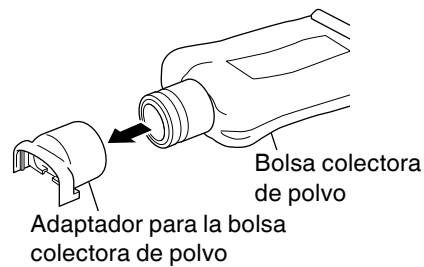


Fig. 3

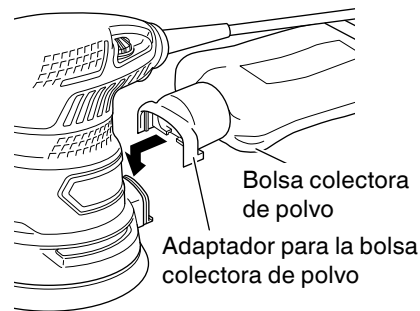


Fig. 4

Para desconectar la bolsa colectora de polvo:

- (1) Desconecte la lijadora.
- (2) Tire de la bolsa colectora de polvo hacia arriba y quítela de la herramienta.

**NOTA:**

Cuando coloque la bolsa colectora de polvo en la herramienta, asegúrese de que la estría elevada de la bolsa colectora de polvo se alinea con las ranuras de la lijadora, y de que la bolsa colectora de polvo encaja en su sitio apropiadamente. Una colocación inapropiada de la bolsa colectora de polvo puede causar daños en los componentes internos.

8. Ajuste de la velocidad

La lijadora está equipada con un circuito de control eléctrico que habilita un control de velocidad progresivo.

Para ajustar la velocidad, girar el selector como se muestra en la Fig. 5. Cuando el selector indica "1", la lijadora funciona a la mínima velocidad (9,000/min). Cuando el selector indique "6", la lijadora funciona a la máxima velocidad (13,000/min). Ajustar la velocidad de acuerdo al material a cortar y a la eficiencia de trabajo.

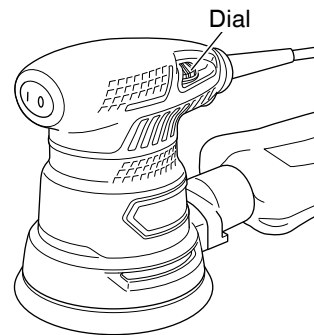


Fig. 5

Ajustando el dial, adapte la velocidad al material y al tipo de la pieza de trabajo.

Material	Grano		Escala del dial
	Esmerilado tosco	Esmerilado fino	
Pintura:			
Esmerilar	180	400	3 – 6
Reparaciones con lijado (rajaduras, puntos de óxido)	120	240	2 – 4
Desbarbado	40	80	2 – 4
Madera:			
Madera blanda	60 – 80	240	3 – 6
Madera dura	60	180	3 – 5
Chapa	240	320	2 – 4
Metales:			
Aluminio	80	240	2 – 4
Acero	60	240	3 – 6
Acero inoxidable	120	240	3 – 6

**NOTA:** Utilice esta tabla como norma.

## UTILIZACIÓN DE LA LIJADORA ORBITAL

**⚠ ADVERTENCIA:** No aplicar nunca agua ni fluido abrasivo cuando se está lijando. Esto podría causar una descarga eléctrica.

### 1. Cómo sujetar la lijadora orbital

Mientras se agarra la lijadora, apretarla ligeramente contra la superficie a lijar de forma que el papel de lija toque uniformemente la superficie, como se muestra en la Fig. 6. No aplicar una fuerza excesiva sobre la lijadora al efectuar el trabajo. Una presión excesiva podría causar sobrecalentamientos en el motor, reducir la duración de servicio del papel de lija y disminuir la eficiencia del trabajo.

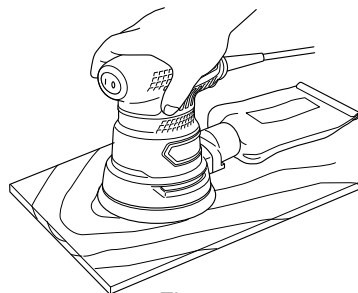


Fig. 6

### 2. Forma de mover la lijadora orbital

Mueva la lijadora hacia arriba y hacia abajo o en círculos avanzando gradualmente en sentido lateral. (Figs. 7 y 8)

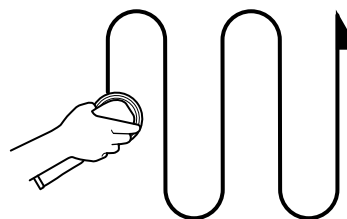


Fig. 7

### 3. Encendido y apagado de la lijadora

La alimentación puede conectarse ajustando el interruptor en ENCENDIDO (I) y apagarse ajustando el interruptor en APAGADO (O).

### OBSERVACION:

No encender nunca la lijadora cuando esté en contacto con la superficie a lijar. Esto es para prevenir daños en la pieza a trabajar. Lo mismo puede aplicarse al apagar la lijadora.

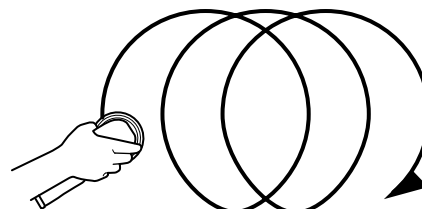


Fig. 8

### ⚠ PRECAUCIÓN:

- Nada más acabar de usarla, apague y desenchufe siempre la lijadora.
- Como la lijadora aspira, procure no colocarla cerca de polvo o de suciedad mientras sigue girando nada más usarla.
- Mirando desde arriba, la superficie de lijado rota hacia la derecha durante la operación con carga, pero puede rotar hacia la izquierda durante la operación sin carga.
- Nunca ponga la herramienta en marcha sin papel de lija. Puede dañar seriamente la placa de soporte.
- Usar la herramienta con el borde de la placa de soporte contactando con la pieza de trabajo puede dañar la placa de soporte.

## MONTAJE DE LOS ACCESORIOS OPCIONALES

**⚠ ADVERTENCIA:** Para evitar posibles accidentes, sitúe siempre el interruptor de encendido en OFF y desenchufe la lijadora.

- Montaje del pulidor de poliéster  
Como la fijación es de tipo gancho y bucle, como en el caso de papel de lija, el pulidor de poliéster podrá montarse presionándolo en la almohadilla (Fig. 9).

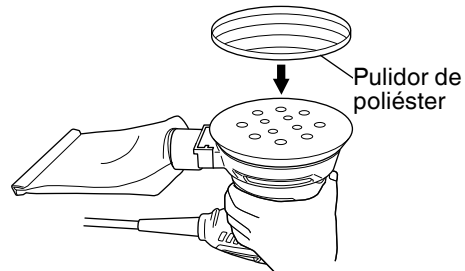


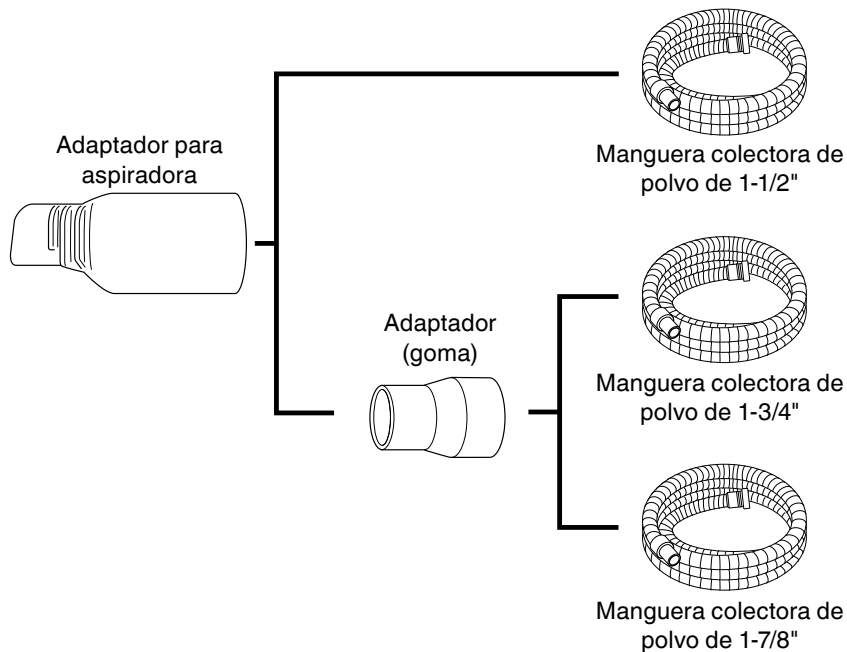
Fig. 9

## CONECTAR EL COLECTOR DE POLVO

**Sistema de extracción externo:**

Acople la boquilla de extracción de polvo (refiérase al capítulo Accesorios). Conecte un dispositivo de extracción adecuado.

Utilice una manguera de succión con un adaptador para aspiradora y un adaptador. Refiérase a la sección Accesorios.



\* La medida de acople es para referencia.

Fig. 10

## MANTENIMIENTO E INSPECCIÓN

**⚠ ADVERTENCIA:** Antes de realizar el mantenimiento o la inspección de la amoladora, cerciőrese de **DESCONECTAR** la alimentaci3n y de **desenchufar** el cable de alimentaci3n del tomacorriente.

1. Vaciar y limpiar el colector de polvo  
Si la bolsa colector de polvo contiene demasiado polvo, la recolecci3n del polvo se ver3 afectada. Vacie la bolsa de serr3n cuando se llene. Quite la bolsa de polvo, desconecte la banda de cierre y deseche los contenidos.
2. Inspecci3n del papel de lija  
Cambiar el papel de lija tan pronto como se note en 3l una abracci3n excesiva. La utilizaci3n de un papel de lija desgastado disminuir3 la eficiencia del trabajo y podr3 dañar la almohadilla.
3. Inspecci3n de los tornillos  
Inspeccione regularmente todos los tornillos y aseg3rese de que est3n completamente apretados. Si hay alg3n tornillo flojo, apri3telo inmediatamente.



Fig. 11

**⚠ ADVERTENCIA:** Es muy peligroso utilizar la lijadora orbital si los tornillos est3n flojos.

4. Inspecci3n de las escobillas  
Por motivos de seguridad contra descargas el3ctricas, la inspecci3n y el reemplazo de las escobillas deber3n realizarse **SOLAMENTE** en un **CENTRO DE SERVICIO AUTORIZADO DE HITACHI**.
5. Mantenimiento y reparaci3n  
Todas las herramientas el3ctricas de calidad requieren de vez en cuando el servicio de mantenimiento o el reemplazo de piezas debido al desgaste producido durante la utilizaci3n normal. Para asegurarse de que solamente se utilicen piezas de reemplazo autorizadas, todos los servicios de mantenimiento y reparaci3n deber3n realizarse **SOLAMENTE EN UN CENTRO DE SERVICIO AUTORIZADO DE HITACHI**.
6. Lista de repuestos

**⚠ PRECAUCI3N:** La reparaci3n, modificaci3n e inspecci3n de las herramientas el3ctricas Hitachi deben ser realizadas por un **CENTRO DE SERVICIO AUTORIZADO DE HITACHI**.

Esta lista de repuestos ser3 de utilidad si es presentada junto con la herramienta al **CENTRO DE SERVICIO AUTORIZADO DE HITACHI** para solicitar la reparaci3n o cualquier otro tipo de mantenimiento.

En el manejo y el mantenimiento de las herramientas el3ctricas, se deber3n observar las normas y reglamentos vigentes en cada pa3s.

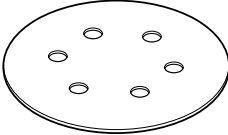


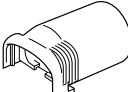

## ACCESORIOS

**⚠ ADVERTENCIA:** SIEMPRE utilice únicamente repuestos y accesorios autorizados por HITACHI. NO utilice NUNCA repuestos o accesorios no previstos para usar con esta herramienta. Si tiene dudas en cuanto a la seguridad de usar determinado repuesto o accesorio junto con su herramienta, póngase en contacto con HITACHI. La utilización de otros accesorios puede resultar peligrosa y causar lesiones o daños mecánicos.

**NOTA:**

Los accesorios están sujetos a cambio sin ninguna obligación por parte de HITACHI.

### ACCESORIOS ESTÁNDAR

<p>(1) Papel de lija (2 unidades)</p> 	<p>(2) Bolsa colectora de polvo (1 unidad) (N.º de código 371871)</p> 	
<p>(3) Adaptador para la bolsa colectora de polvo (1 unidad) (N.º de código 371873)</p> 	<p>(4) Adaptador para aspiradora (1 unidad) (N.º de código 371875)</p> 	<p>(5) Adaptador (1 unidad) (N.º de código 371874)</p> 

### ACCESORIOS OPCIONALES ..... De venta por separado

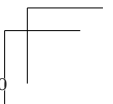
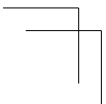
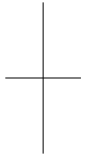
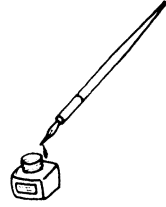
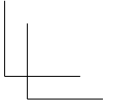
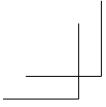
○ Papel de lija

Tamaño (Diámetro externo)	Tipo	N.º de grano	N.º de código
5" (125 mm)	Tipo velcro	AA40	308516
		AA60	308517
		AA80	308518
		AA120	308519
		AA180	308520
		AA240	308521
		AA320	308522
AA400	308523		

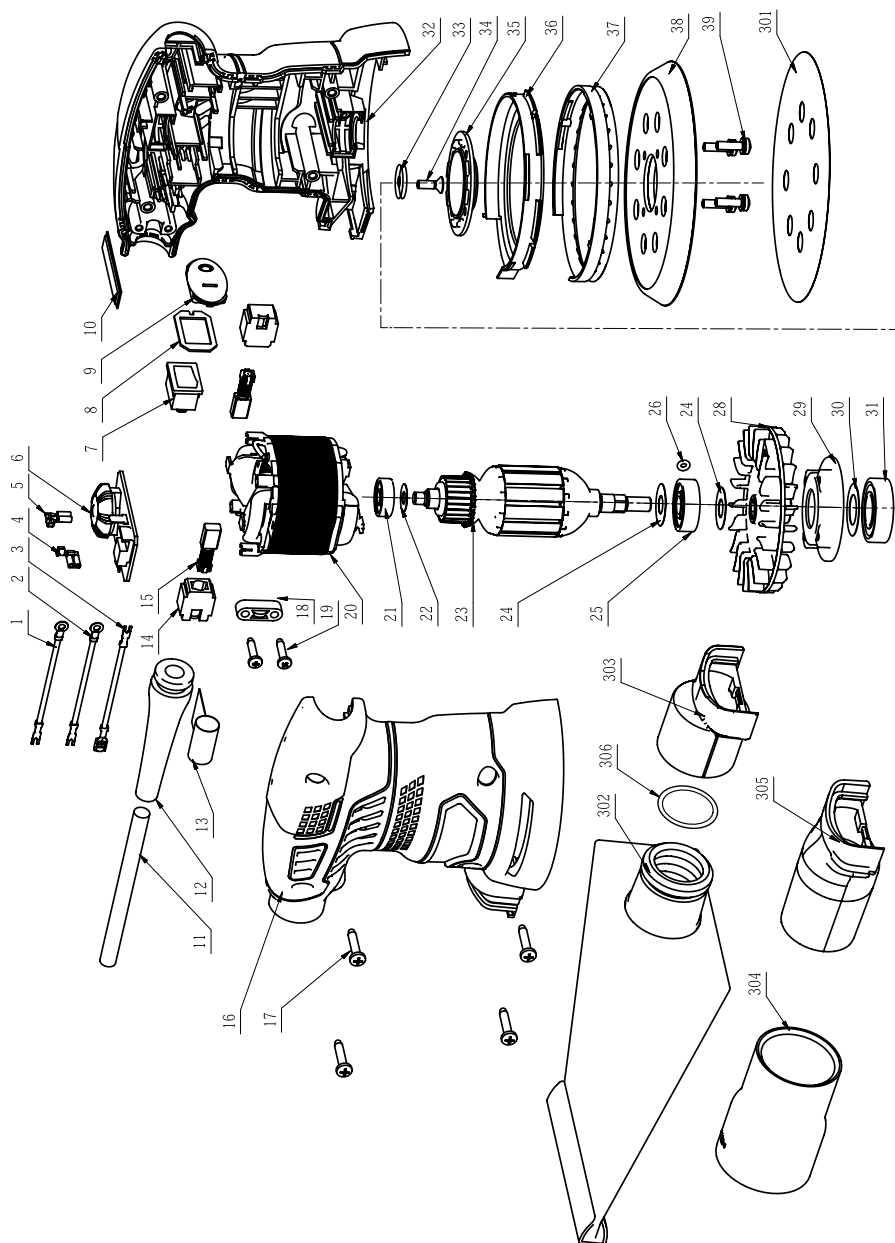
○ Gamuza de poliéster (N.º de código 308515)

**NOTA:**

Las especificaciones están sujetas a cambio sin ninguna obligación por parte de HITACHI.



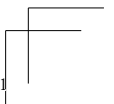
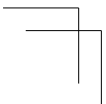
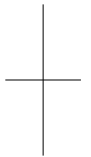
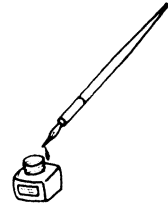
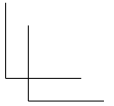
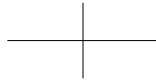
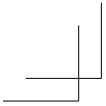
SV13YST

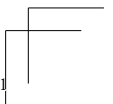
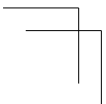
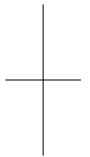
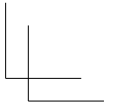
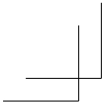




No	Part Name	QTY
33	WASHER	1
34	SCREW M4x12	1
35	BEARING COVER	1
36	FAN GUIDE	1
37	BRAKE RING	1
38	BASE PAD	1
39	M4 SCREW	4
301	SANDING PAPER#120	2
302	DUST BAG ASS'Y	1
303	DUST BAG ADAPTER	1
304	ADAPTER	1
305	VACUUM ADAPTER	1
306	O-RING	1

No	Part Name	QTY
1	INTERNAL WIRE(A)	1
2	INTERNAL WIRE(B)	1
3	INTERNAL WIRE(C)	1
4	TERMINAL(A)	1
5	TERMINAL(B)	1
6	CONTROL CIRCUIT ASSY	1
7	SWITCH	1
8	FIXING BOARD	1
9	SWITCH COVER	1
10	MONITORING LABEL	1
11	CORD	1
12	CORD ARMOR	1
13	CORD BAND	1
14	BRUCH HOLDER	2
15	CARBON BRUSH	2
16	RIGHT HOUSING ASSY	1
17	TAPPING SCREW 4x20	4
18	CORD CLIP	1
19	TAPPING SCREW 3.5x16	2
20	STATOR ASSY	1
21	BALL BEARING(628FRS)	1
22	PLAIN WASHER(A)	1
23	ARMATURE ASSY	1
24	PLAIN WASHER(B)	2
25	BALL BEARING(629FRS)	1
26	O RING	1
28	DUST FAN	1
29	BEARING HODER	1
30	PLAIN WASHER(C)	1
31	BALL BEARING(6002DDW)	1
32	LEFT HOUSING ASSY	1





**WARNING:**

Some dust created by power sanding, sawing, grinding, drilling, and other construction activities contains chemicals known to the State of California to cause cancer, birth defects or other reproductive harm. Some examples of these chemicals are:

- Lead from lead-based paints,
- Crystalline silica from bricks and cement and other masonry products, and
- Arsenic and chromium from chemically-treated lumber.

Your risk from these exposures varies, depending on how often you do this type of work. To reduce your exposure to these chemicals: work in a well ventilated area, and work with approved safety equipment, such as those dust masks that are specially designed to filter out microscopic particles.

**AVERTISSEMENT:**

La poussière résultant d'un ponçage, d'un sciage, d'un meulage, d'un perçage ou de toute autre activité de construction renferme des produits chimiques qui sont connus par l'Etat de Californie pour causer des cancers, des défauts de naissance et autres anomalies de reproduction. Nous énumérons ci-dessus certains de ces produits chimiques:

- Plomb des peintres à base de plomb,
- Silice cristalline des briques et du ciment et autres matériaux de maçonnerie, et
- Arsenic et chrome du bois d'oeuvre traité chimiquement.

Le risque d'exposition à ces substances varie en fonction de la fréquence d'exécution de ce genre de travail. Pour réduire l'exposition à ces produits chimiques, travailler dans un lieu bien ventilé, et porter un équipement de protection agréé, par exemple un masque anti-poussière spécialement conçu pour filter les particules microscopiques.

**ADVERTENCIA:**

Algunos polvos creados por el lijado mecánico, el aserrado, el esmerilado, el taladrado y otras actividades de construcción contienen sustancias químicas conocidas por le Estado de California como agentes cancerígenos, defectos congénitos y otros daños reproductores.

Algunos ejemplos de estas sustancias químicas son:

- El plomo de las pinturas a base de plomo,
- El silice cristalino de los ladrillos y cemento y otros productos de mampostería, y
- El arsénico y el cromo de la madera tratada químicamente.

El riesgo resultante de la exposición varía según la frecuencia con que se realiza este tipo de trabajo. Para reducir la exposición a esta sustancias químicas: trabaje en un lugar bien ventilado y realice el trabajo utilizando el equipamiento apropiado, tal como las máscaras para el polvo especialmente diseñados para eliminar las partículas minúsculas.

Issued by

 **Hitachi Koki Co., Ltd.**

Shinagawa Intercity Tower A, 15-1, Konan 2-chome,  
Minato-ku, Tokyo 108-6020, Japan

Distributed by

 **Hitachi Koki U.S.A., Ltd.**

PO Box 970  
Braselton, GA 30517

 **Hitachi Koki Canada Corp.**

450 Export Blvd. Unit B,  
Mississauga ON L5S 2A4

 **Hitachi Power Tools de México, S. A. de C. V.**

Calle Isaac Newton No.286, 2do Piso, Col. Polanco V Sección,  
Del. Miguel Hidalgo, C. P. 11560  
Ciudad de México, México.

707  
Code No. C99230361 O  
Printed in China