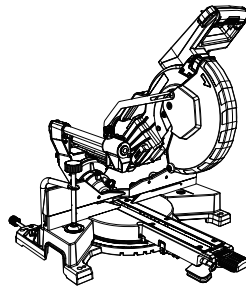


HITACHI

Model
Modèle **C 10FSHC**
Modelo

(Laser Marker Equipment)
(Outil avec marqueur à laser)
(Equipo marcador láser)

Slide Compound Miter Saw
Scie à coupe d'onglet radiale
Tronzadora radial abatible



SAFETY INSTRUCTIONS AND INSTRUCTION MANUAL

⚠ WARNING

IMPROPER OR UNSAFE use of this power tool can result in death or serious bodily injury! This manual contains important information about product safety. Please read and understand this manual before operating the power tool. Please keep this manual available for other users and owners before they use the power tool. This manual should be stored in safe place.

INSTRUCTIONS DE SECURITE ET MODE D'EMPLOI

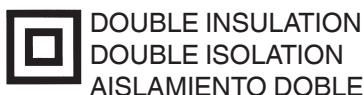
⚠ AVERTISSEMENT

Une utilisation **INCORRECTE OU DANGEREUSE** de cet outil motorisé peut entraîner la mort ou de sérieuses blessures corporelles!
Ce mode d'emploi contient d'importantes informations à propos de la sécurité de ce produit. Prière de lire et de comprendre ce mode d'emploi **AVANT** d'utiliser l'outil motorisé. Garder ce mode d'emploi à la disponibilité des autres utilisateurs et propriétaires avant qu'ils utilisent l'outil motorisé. Ce mode d'emploi doit être conservé dans un endroit sûr.

INSTRUCCIONES DE SEGURIDAD Y MANUAL DE INSTRUCCIONES

⚠ ADVERTENCIA

¡La utilización **INAPROPIADA O PELIGROSA** de esta herramienta eléctrica puede resultar en lesiones de gravedad o la muerte!
Este manual contiene información importante sobre la seguridad del producto. Lea y comprenda este manual **ANTES** de utilizar la herramienta eléctrica. Guarde este manual para que puedan leerlo otras personas antes de utilizar la herramienta eléctrica. Este manual debe ser guardado en un lugar seguro.



Hitachi Koki

CONTENTS

English	Page	Page	
IMPORTANT SAFETY INFORMATION	3	PREPARATION BEFORE OPERATION	14
MEANINGS OF SIGNAL WORDS	3	BEFORE USING	16
SAFETY	4	BEFORE CUTTING.....	18
IMPORTANT SAFETY INSTRUCTIONS FOR		PRACTICAL APPLICATIONS	27
USING ALL POWER TOOLS	4	SAW BLADE MOUNTING AND DISMOUNTING...	37
REPLACEMENT PARTS.....	8	MAINTENANCE AND INSPECTION	39
USE PROPER EXTENSION CORD.....	8	SERVICE AND REPAIRS.....	41
DOUBLE INSULATION FOR SAFER OPERATION...	9	PARTS LIST	126
OPERATION AND MAINTENANCE	10		
NAME OF PARTS.....	10		
SPECIFICATIONS.....	12		
ACCESSORIES.....	13		
APPLICATIONS.....	14		

TABLE DES MATIERES

Français	Page	Page	
INFORMATIONS IMPORTANTES DE		SPÉCIFICATIONS.....	52
SÉCURITÉ.....	42	ACCESSOIRES.....	53
SIGNIFICATION DES MOTS		APPLICATIONS.....	54
D'AVERTISSEMENT	42	PRÉPARATION AVANT L'UTILISATION	54
SECURITE	43	AVANT L'UTILISATION	56
CONSIGNES DE SECURITE RELATIVES AUX		AVANT LA COUPE.....	58
OUTILS ÉLECTRIQUES	43	APPLICATIONS PRATIQUES	68
PIECES DE RECHANGE	47	INSTALLATION ET RETRAIT DE LA LAME.....	79
UTILISER LE CORDON DE RALLONGE		ENTRETIEN ET INSPECTION.....	81
APPROPRIÉ.....	48	SERVICE APRÈS-VENTE ET RÉPARATIONS.....	83
DOUBLE ISOLATION POUR UN		LISTE DES PIECES	126
FONCTIONNEMENT PLUS SUR.....	48		
UTILISATION ET ENTRETIEN	50		
NOM DES PIÈCES.....	50		

ÍNDICE

Español	Página	Página	
INFORMACIÓN IMPORTANTE SOBRE		ACCESORIOS.....	95
SEGURIDAD	84	APLICACIONES	96
SIGNIFICADO DE LAS PALABRAS DE		PREPARATIVOS PREVIOS A LA	
SEÑALIZACIÓN	84	OPERACIÓN	96
SEGURIDAD	85	ANTES DE LA UTILIZACIÓN.....	98
NORMAS DE SEGURIDAD PARA LAS		ANTES DEL CORTE	100
HERRAMIENTAS ELÉCTRICAS.....	85	APLICACIONES PRÁCTICAS	110
PIEZAS DE REEMPLAZO.....	89	MONTAJE Y DESMONTAJE DE LA	
UTILICE EL CABLE PROLONGADOR		HOJA DE SIERRA.....	120
ADECUADO	90	MANTENIMIENTO E INSPECCIÓN	123
AISLAMIENTO DOBLE PARA OFRECER UNA		SERVICIO Y REPARACIONES.....	125
OPERACIÓN MÁS SEGURA	90	LISTA DE PIEZAS	126
OPERACIÓN Y MANTENIMIENTO	92		
NOMENCLATURA DE PARTES	92		
ESPECIFICACIONES.....	94		

IMPORTANT SAFETY INFORMATION

Read and understand all of the safety precautions, warnings and operating instructions in the Instruction Manual before operating or maintaining this power tool.

Most accidents that result from power tool operation and maintenance are caused by the failure to observe basic safety rules or precautions. An accident can often be avoided by recognizing a potentially hazardous situation before it occurs, and by observing appropriate safety procedures.

Basic safety precautions are outlined in the "SAFETY" section of this Instruction Manual and in the sections which contain the operation and maintenance instructions.

Hazards that must be avoided to prevent bodily injury or machine damage are identified by WARNINGS on the power tool and in this Instruction Manual.

NEVER use this power tool in a manner that has not been specifically recommended by HITACHI.

MEANINGS OF SIGNAL WORDS

WARNING indicates a potentially hazardous situations which, if ignored, could result in death or serious injury.

CAUTION indicates a potentially hazardous situations which, if not avoided, may result in minor or moderate injury, or may cause machine damage.

NOTE emphasizes essential information.

SAFETY

IMPORTANT SAFETY INSTRUCTIONS FOR USING ALL POWER TOOLS

READ ALL OF THE WARNINGS AND OPERATING INSTRUCTIONS IN THIS MANUAL BEFORE OPERATING OR MAINTAINING THIS TOOL:

⚠ WARNING: When using this electric tool, take all necessary precautions to minimize the risk of electric shock or other personal injury. In particular, always comply with the following safety rules:

- 1. ALWAYS KEEP GUARDS IN PLACE** and in working order.
- 2. ALWAYS REMOVE ADJUSTING KEYS AND WRENCHES BEFORE STARTING TOOL.** Always confirm that all keys and adjusting wrenches have been removed from the tool before it is turned on.
- 3. ALWAYS KEEP WORK AREA CLEAN.** Avoid injuries by not cluttering the work areas and work benches.
- 4. NEVER USE TOOL IN HAZARDOUS ENVIRONMENTS.** Never use the power tool in damp or wet places and never expose it to rain. Always keep the work area well lighted.
- 5. NEVER PERMIT CHILDREN OR OTHERS TO LOITER NEAR THE WORK AREA.** Keep all people (especially children) away from the work area. Always unplug unattended tools and keep the work place tamper-proof by installing locks on the doors and on the master switches. Always remove the lock-off button from the tool and store it in a secure place, when the tool is not in use.
- 6. NEVER FORCE THE TOOL.** It will do the job better and more safely if it is operated at the rate for which it was designed.
- 7. ALWAYS USE THE RIGHT TOOLS.** Never force a tool or an attachment to do a job for which it was not designed.
- 8. ALWAYS WEAR PROPER APPAREL WHEN WORKING WITH THE TOOL.** Never wear loose clothing, gloves, neckties, rings, bracelets or other jewelry which may get caught in the moving parts. Always wear non-slip footwear, preferably with steel toes. Wear protective hair covering to contain long hair.
- 9. ALWAYS WEAR EYE PROTECTION WITH SIDE SHIELDS THAT MEETS THE REQUIREMENTS OF ANSI STANDARD Z87.1 WHEN WORKING WITH THE TOOL TO PREVENT EYE INJURY.** Ordinary eyeglasses do not provide adequate protection because they do not contain impact resistant safety glass. Also, use a face mask for additional safety and wear a dust mask if the cutting operation produces dust.
- 10. ALWAYS SECURE THE WORKPIECE TO THE FENCE OR THE TABLE.** Use clamps or a vise to hold the workpiece in place. It is safer than using your hand and it frees both hands to operate the tool.

11. **NEVER OVERREACH.** Always keep proper footing and balance when working with the tool.
12. **ALWAYS MAINTAIN TOOLS WITH CARE.** Always keep tools sharp and clean for the best and safest performance. Always follow instructions for lubricating the tool and for changing accessories.
13. **ALWAYS DISCONNECT THE TOOL** before servicing and before changing blades or other accessories.
14. **NEVER RISK UNINTENTIONAL STARTING WHEN PLUGGING IN THE TOOL.** Always confirm that the switch is in the OFF position before inserting the power plug into the receptacle.
15. **ALWAYS USE RECOMMENDED ACCESSORIES ONLY WHEN OPERATING THIS TOOL.** Consult this instruction manual for descriptions of recommended accessories. To avoid personal injuries, use only recommended accessories in conjunction with this tool.
16. **NEVER STAND ON THE TOOL.** Prevent serious injury by not tipping the tool and by not risking unintentional contact with the saw blade.
17. **ALWAYS CHECK FOR DAMAGED PARTS BEFORE USING THE TOOL.** Always check the guard and all other components for damage before using the tool to assure that they will function properly. Check all moving parts for proper alignment, freedom from binding and other conditions that might affect proper operation. Always repair or replace any damaged guards or other damaged components before using the tool.
18. **ALWAYS CONFIRM THE ROTATION DIRECTION OF THE BLADE BEFORE USING THE TOOL.** Always feed work into the tool against the rotation direction of the blade in order to prevent possible injury.
19. **NEVER LEAVE THE TOOL RUNNING WHILE UNATTENDED. TURN POWER OFF.** Do not leave tool until it comes to a complete stop. Always turn the power off when the tool is not in use. Always unplug the power cord when the tool is not in use.
20. This tool was not designed to be used for mass-production applications and should not be used in mass-production environments.
21. When servicing this tool, use only authorized replacement parts.
22. Apply 120 volts AC only to this tool. Applying the wrong voltage or applying DC power can cause the POWER TOOL to operate improperly and cause serious personal injury or damage to the tool.
23. Never raise the saw blade from the workpiece until it has first come to a complete stop.
24. Always use outboard stands to provide support for long workpieces that overhang the table of the slide compound miter saw.
25. Always return the carriage to the full rear position after each crosscut operation in order to reduce the risk of injury.
26. **POLARIZED PLUGS** To reduce the risk of electric shock, this equipment has a polarized plug (one blade is wider than the other). This plug will fit in a polarized outlet only one way. If the plug does not fit fully in the outlet, reverse the plug. If it still does not fit, contact a qualified electrician to install the proper outlet. Do not change the plug in any way.

Specific Safety Rules for Use of this Power Tool


⚠ WARNING: The following specific operating instructions must be observed when using this POWER TOOL in order to avoid injury:

DO's

ALWAYS OBSERVE THE FOLLOWING RULES TO ASSURE SAFE USE OF THIS TOOL:

1. Review this Manual and familiarize yourself with the safety rules and operating instructions for this POWER TOOL before attempting to use it.
2. Remove all packing materials attached or connected to the tool before attempting to operate it.
3. Always confirm that the POWER TOOL is clean before using it.
4. Always wear snug-fitting clothing, non-skid footwear (preferably with steel toes) and eye protection when operating the POWER TOOL.
5. Always handle the POWER TOOL carefully. If the POWER TOOL falls or strikes against a hard object, it might become deformed or cracked or sustain other damage.
6. Always cease operating the saw at once, if you notice any abnormality whatsoever.
7. Always confirm that all components are mounted properly and securely before using the tool.
8. When replacing the saw blade, always confirm that the rpm rating of the new blade is correct for use on this tool.
9. Always shut off the power and wait for the saw blade to completely stop rotating before doing any maintenance or adjustments.
10. During slide cutting, always push the saw blade away from the operator.
11. Always clamp or otherwise secure the workpiece to the fence; otherwise the workpiece might be thrust from the table and cause bodily harm.
12. During miter or bevel cutting, always wait for the rotation of the blade to stop completely before lifting the saw blade.
13. Always make a trial run first before attempting any new use of the saw.
14. Always handle the saw blade with care when dismounting and mounting it.
15. Always confirm that the workpiece is free of nails or other foreign objects before beginning a cut.
16. Always keep your hands out of the path of the saw blade.
17. Always confirm that the lower guard is in the proper place before using the saw.
18. Always confirm that the lower guard does not obstruct the sliding motion of the saw before attempting slide cutting.
19. Inspect the tool power cords periodically.
20. Always confirm that the proper lengths and types of extension cords are being utilized, if necessary, before starting the tool.
21. Always confirm that the motor air vents are fully open before using the tool.
22. Always wait until the motor has reached full speed before starting a cut.
23. Always keep the handles dry, clean and free of oil and grease. Hold the tool firmly when in use.
24. Always use outboard stands to provide support for long workpieces that overhang the table of the slide compound miter saw.
25. Always operate the tool after ensuring the workpiece is fixed properly with a vise assembly.
26. The operating instructions provided with the tool shall direct the user to secure the tool to supporting structure if, during normal operation, there is a tendency for the tool to tip over, slide, or walk on the supporting surface.

DON'Ts**NEVER VIOLATE THE FOLLOWING RULES TO ASSURE SAFE USE OF THIS TOOL:**

1. Never operate the POWER TOOL unless you fully understand the operating instructions contained in this Manual.
2. Never leave the POWER TOOL unattended without first unplugging the power cord.
3. Never operate the POWER TOOL when you are tired, after you have taken any medications, or have consumed any alcoholic beverages.
4. Never use the POWER TOOL for applications not specified in the instruction manual.
5. Never operate the tool while wearing loose clothing, a necktie or jewelry, or while your hair is uncovered, to protect against getting caught in the moving machinery.
6. Never reach around the saw blade.
7. Never touch any moving parts, including the blade, while the saw is in use.
8. Never remove any safety devices or blade guards; use of the tool without them would be hazardous.
9. Never lock the lower guard; always confirm that it slides smoothly before using the tool.
10. Never damage the power cord of the tool.
11. Never attempt to move a plugged-in POWER TOOL while your finger is on the starting switch.
12. Never use the POWER TOOL if the starting switch does not turn on and off properly.
13. Never use the POWER TOOL if the plastic housing or the handle is cracked or deformed.
14. Never use the POWER TOOL near flammable liquids or gases because sparking can cause an explosion.
15. Never clean plastic components with solvents because the plastic may dissolve.
16. Never operate the saw unless all the blade guards are in place.
17. Never raise the saw blade from the workpiece until it has first come to a complete stop.
18. When slide cutting, never pull the handle toward the operator, since this could cause the saw blade to kick up from the workpiece. Always push the handle away from the operator in a single, smooth motion.
19. Never place your limbs inside of the line next to warning sign “” while the tool is being operated. This may cause hazardous conditions.
20. Never use abrasive type blades on this saw.
21. Never expose to rain or use in damp locations.
22. Never cut ferrous metals or masonry.

WARNING**FOR YOUR OWN SAFETY READ THIS INSTRUCTION MANUAL BEFORE OPERATING THE SLIDE COMPOUND MITER SAW**

1. Always wear eye protection when using the slide compound miter saw.
2. Always keep hands out of the path of the saw blade.
3. Never operate the saw without the guards in place.
4. Never perform any freehand operation with the slide compound miter saw.
5. Never reach around the saw blade.

6. Always turn off tool and wait for saw blade to stop before moving workpiece or changing settings.
7. Always disconnect power before changing blade or servicing.
8. Saw blade diameter is 10" (255 mm).
9. No load speed is 3,200/min.
10. To reduce the risk of injury, return carriage to the full rear position after each crosscut operation.

REPLACEMENT PARTS

When servicing use only identical replacement parts.
Repairs should be conducted only by a Hitachi authorized service center.

USE PROPER EXTENSION CORD

Make sure your extension cord is in good condition. When using an extension cord, be sure to use one heavy enough to carry the current your product will draw. An undersized cord will cause a drop in line voltage resulting in loss of power and overheating. Table shows the correct size to use depending on cord length and nameplate ampere rating. If in doubt, use the next heavier gage. The smaller the gage number, the heavier the cord.

		MINIMUM GAGE FOR CORD SETS			
		Total Length of Cord in Feet (Meter)			
		0 – 25 (0 – 7.6)	26 – 50 (7.9 – 15.2)	51 – 100 (15.5 – 30.5)	101 – 150 (30.8 – 45.7)
Ampere Rating		AWG			
More Than	Not More Than				
	0 – 6	18	16	16	14
	6 – 10	18	16	14	12
	10 – 12	16	16	14	12
	12 – 16	14	12	Not Recommended	

⚠ WARNING: Avoid electrical shock hazard. Never use this tool with a damaged or frayed electrical cord or extension cord.
Inspect all electrical cords regularly. Never use in or near water or in any environment where electric shock is possible.

DOUBLE INSULATION FOR SAFER OPERATION

To ensure safer operation of this power tool, HITACHI has adopted a double insulation design. "Double insulation" means that two physically separated insulation systems have been used to insulate the electrically conductive materials connected to the power supply from the outer frame handled by the operator. Therefore, either the symbol "⊞" or the words and "Double insulation" appear on the power tool or on the nameplate.

Although this system has no external grounding, you must still follow the normal electrical safety precautions given in this Instruction Manual, including not using the power tool in wet environments.

To keep the double insulation system effective, follow these precautions:

- * Only HITACHI AUTHORIZED SERVICE CENTER should disassemble or assemble this power tool, and only genuine HITACHI replacement parts should be installed.
- * Clean the exterior of the power tool only with a soft cloth moistened with soapy water and dry thoroughly.
- * Never use solvents, gasoline or thinners on plastic components; otherwise the plastic may dissolve.

**SAVE THESE INSTRUCTIONS
AND
MAKE THEM AVAILABLE TO
OTHER USERS
AND
OWNERS OF THIS TOOL!**

OPERATION AND MAINTENANCE

NOTE: The information contained in this Instruction Manual is designed to assist you in the safe operation and maintenance of the power tool. Some illustrations in this Instruction Manual may show details or attachments that differ from those on your own power tool.

NAME OF PARTS

MODEL C10FSHC

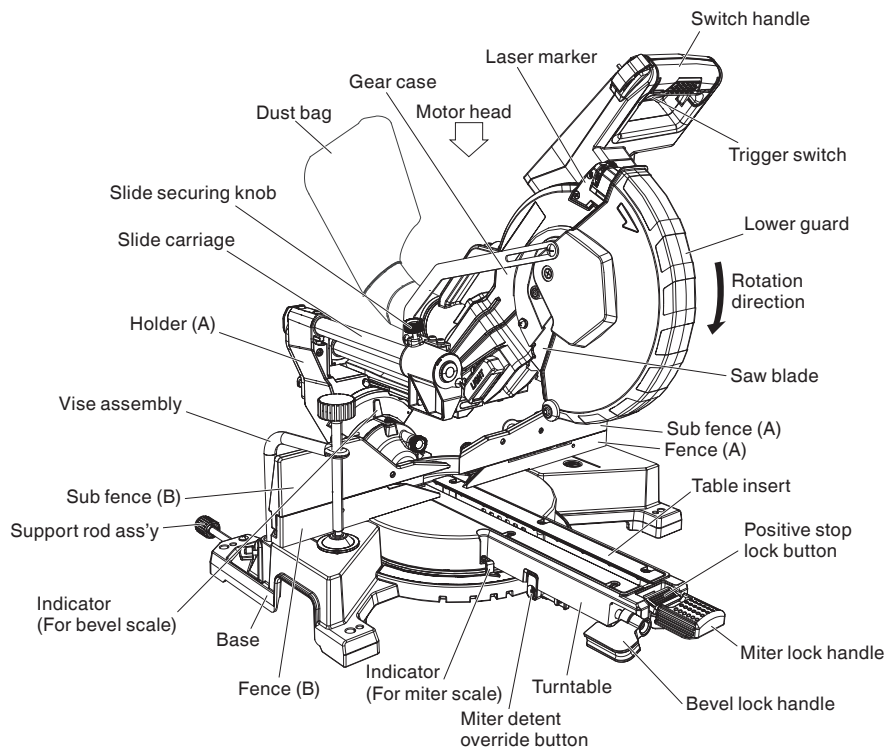


Fig. 1

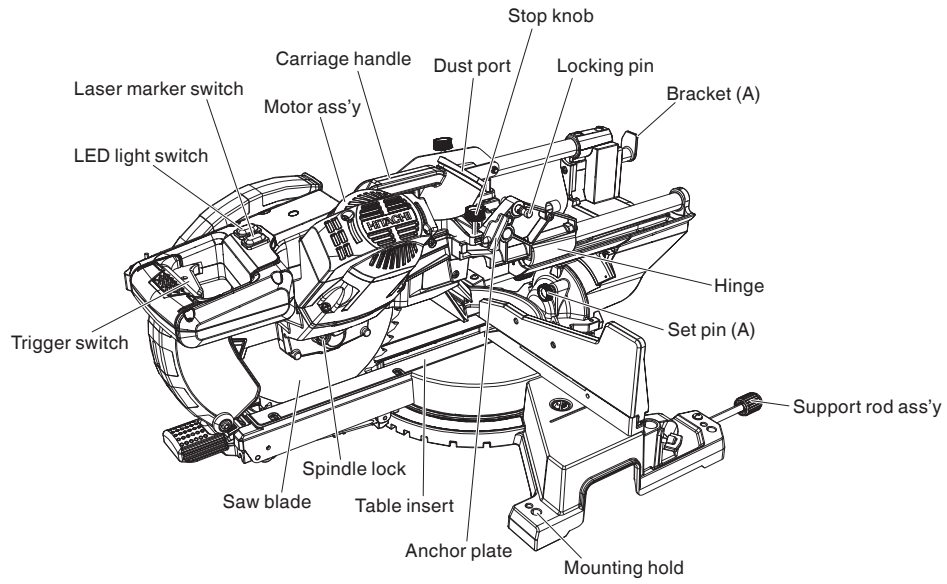


Fig. 2

SPECIFICATIONS

Item	Model		C 10FSHC		
Motor	Type		Series commutator motor		
	Power source		Single-phase AC 60Hz		
	Voltage (Volts)		120		
	Full-load current (Amp)		15		
Laser Marker	Maximum output		<5mW CLASS IIIa Laser Product		
	Wave length		630 – 660 nm		
	Laser medium		Laser Diode		
Applicable saw blade	Outside Dia. 10" (255 mm)				
	Hole Dia. 5/8" (15.9 mm)				
No load speed		3,200/min			
Max. sawing dimension	Miter	Head	Turntable	Max. sawing dimension	
		0	0	(With anchor plate)	
				Max. Height	3-1/2" (89 mm)
				Max. Width	11-1/2" (292 mm)
				(Without anchor plate)	
				Max. Height	2-1/2" (64 mm)
				Max. Width	12-1/2" (318 mm)
		0	Left 45° or Right 45°	(With anchor plate)	
				Max. Height	3-1/2" (89 mm)
				Max. Width	8" (204 mm)
				(Without anchor plate)	
				Max. Height	2-1/2" (64 mm)
				Max. Width	8-3/4" (222 mm)
		0	Left 55°	(With anchor plate)	
				Max. Height	3-1/2" (89 mm)
				Max. Width	6-7/8" (176 mm)
				(Without anchor plate)	
				Max. Height	2-1/2" (64 mm)
				Max. Width	7-1/4" (182 mm)
		0	Right 60°	(With anchor plate)	
				Max. Height	3-1/2" (89 mm)
				Max. Width	5-3/4" (146 mm)
				(Without anchor plate)	
				Max. Height	2-1/2" (64 mm)
				Max. Width	6-1/4" (158 mm)
	Bevel	Left 45°	0	(With anchor plate)	
				Max. Height	1-3/4" (45 mm)
				Max. Width	11-1/2" (292 mm)
				(Without anchor plate)	
				Max. Height	1-5/8" (41 mm)
				Max. Width	12-1/2" (318 mm)
		Right 45°	0	(With anchor plate)	
				Max. Height	1" (25 mm)
				Max. Width	11-1/2" (292 mm)
				(Without anchor plate)	
				Max. Height	3/4" (19 mm)
				Max. Width	12-1/2" (318 mm)
	Compound	Left 45°	Left 45° or Right 45°	(With anchor plate)	
				Max. Height	1-3/4" (45 mm)
				Max. Width	8" (204 mm)
				(Without anchor plate)	
				Max. Height	1-5/8" (41 mm)
				Max. Width	8-3/4" (222 mm)
		Right 45°	Left 45° or Right 45°	(With anchor plate)	
				Max. Height	1" (25 mm)
				Max. Width	8" (204 mm)
				(Without anchor plate)	
				Max. Height	3/4" (19 mm)
				Max. Width	8-3/4" (222 mm)
Miter sawing range	Left 0° – 55° Right 0° – 60°				
Bevel sawing range	Left 0° – 48° Right 0° – 48°				
Compound sawing range	Left (Bevel) 0° – 45°, Left (Miter) 0° – 45°				
	Right (Bevel) 0° – 45°, Right (Miter) 0° – 45°				
Net weight	45.6 lbs. (20.7 kg)				
Cord	2 Conductor type cable 6ft. (1.8 m)				

ACCESSORIES

⚠ WARNING: Accessories for this power tool are mentioned in this Instruction Manual.

The use of any other attachment or accessory can be dangerous and could cause injury or mechanical damage.

STANDARD ACCESSORIES

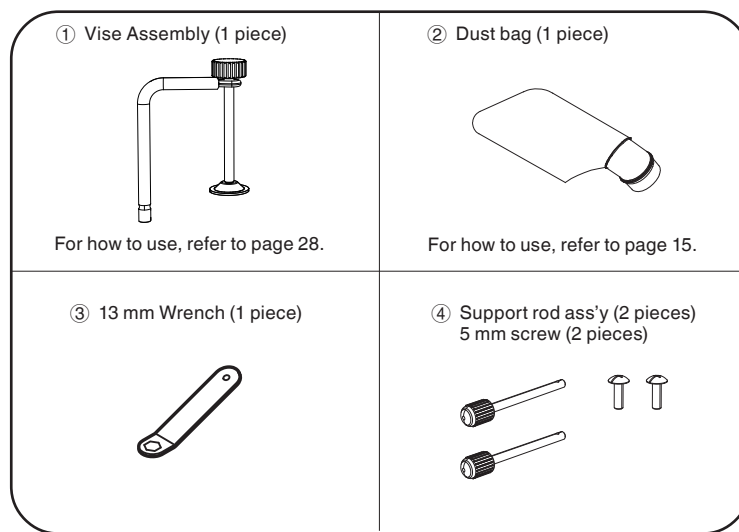


Fig. 3

NOTE: Accessories are subject to change without any obligation on the part of the HITACHI.

APPLICATIONS

Wood and aluminum sash.

PREPARATION BEFORE OPERATION

Make the following preparations before operating the power tool:

1. Remove all packing materials attached or connected to the tool before attempting to operate it.
2. Installation

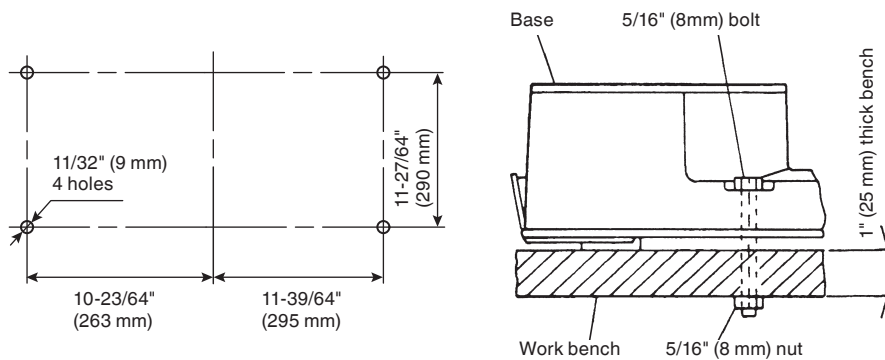


Fig. 4

Attach the power tool to a level, horizontal work bench in accordance with Fig. 4. Select 5/16" (8 mm) diameter bolts suitable in length for the thickness of the work bench. Bolt length should be at least 1-9/16" (40 mm) plus the thickness of the work bench. For example, use 2-9/16" (65 mm) or larger bolts for a 1" (25 mm) thick work bench.

The support rod ass'y attached to the rear of the base helps stabilize the power tool.

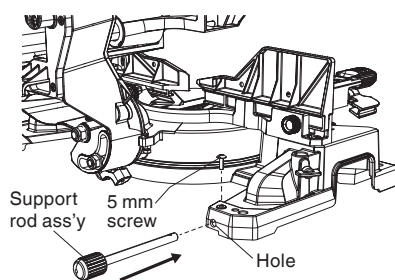


Fig. 5

Installing the support rod ass'y

Insert one support rod ass'y into the hole located at the rear of the base and push it in as far as it will go.

Thread the 5 mm screw into the hole next to the mounting hold.

Firmly tighten the 5 mm screw with a screwdriver.

Repeat the above steps for installing the other support rod ass'y.

3. Releasing the locking pin

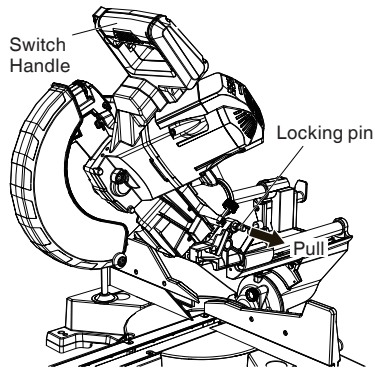


Fig. 6

When the power tool is prepared for shipping, its main parts are secured by a locking pin. Press the handle slightly down and pull out the locking pin to disengage the cutting head.

NOTE: Lowering the handle slightly will enable you to disengage the locking pin more easily and safely. The lock position of the locking pin is for carrying and storage only.

4. Installing the dust bag and vise

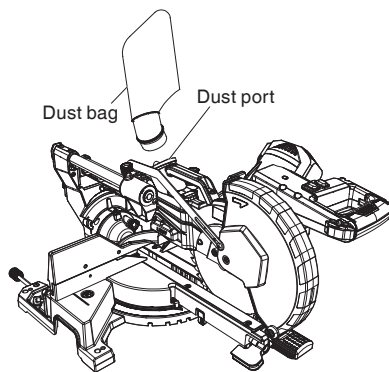


Fig. 7

Install the dust bag onto the dust port on the miter saw. Fit the connecting tube of dust bag and the dust port together.

To empty the dust bag, pull out the dust bag assembly from dust port. Open zipper on underside of bag and empty into waste container. **Check frequently and empty the dust bag before it gets full.**

NOTE: The dust bag should be angled toward the right side of the saw for best results. This will also avoid any interference during the saw operation.

⚠ CAUTION: Empty the dust bag frequently to prevent the duct and the lower guard from becoming clogged. Sawdust will accumulate more quickly than normal during bevel cutting.

⚠ WARNING: Do not use this saw to cut and/or sand metals. The hot chips or sparks may ignite saw dust from the bag material.

(Attach the vise assembly as shown in Fig. 1, Fig. 2 and Fig. 25.)

5. Power cord storage

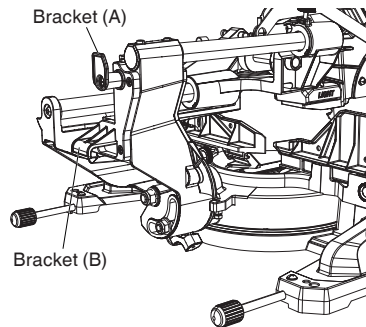


Fig. 8-a

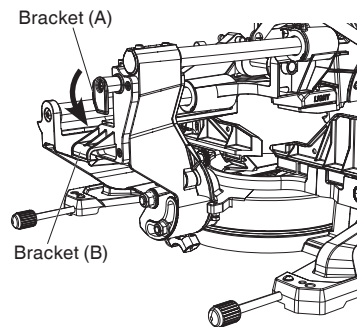


Fig. 8-b

For convenience and to prevent damage to the power cord when the miter saw is not in use or is in transportation, there are two brackets at the rear side of the slide carriage for winding the cord. (Fig. 8-a)

NOTE: To rapidly release the power cord, turn the upper bracket (A) 180°. It will release the cord. (Fig. 8-b)

BEFORE USING

1. Make sure the power source is appropriate for the tool.
 - ⚠ WARNING: Never connect the power tool unless the available AC power source is of the same voltage as that specified on the nameplate of the tool.**
 - Never connect this power tool to a DC power source.**
2. Make sure the trigger switch is turned OFF.
 - ⚠ WARNING: If the power cord is connected to the power source with the trigger switch turned ON the power tool will start suddenly and can cause a serious accident.**
3. Check the saw blade for visible defects.
Confirm that the saw blade is free of cracks or other visible damage.
4. Confirm that the saw blade is attached securely to the power tool.
Using the supplied 13 mm wrench, tighten the 8 mm bolt on the saw blade spindle to secure the saw blade.
For details, see Fig. 44-a, Fig. 44-b, Fig. 44-c and Fig. 44-d in the section on "SAW BLADE MOUNTING AND DISMOUNTING".

5. Check the lower guard for proper operation.

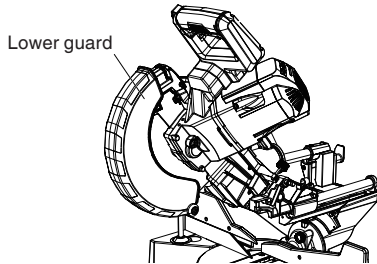


Fig. 9

Lower guard is designed to protect the operator from coming into contact with the saw blade during operation of the tool.

Always check that the lower guard moves smoothly and covers the saw blade properly.

⚠ WARNING: NEVER OPERATE THE POWER TOOL if the lower guard does not function smoothly.

6. Confirm the position of the spindle lock before using the tool.
After installing the saw blade, confirm that the spindle lock has been returned to the released position before using the power tool (see Fig. 2).
7. Check the Power Receptacle.
To prevent overheating, accidental stopping or intermittent operation, confirm that the power cord plug fits properly in the electrical receptacle and does not fall out after it is inserted. Repair or replace the receptacle if it is faulty.
8. Confirm the tool's power cord is not damaged.
Repair or replace the power cord if an inspection indicates that it is damaged
9. Eye protection
Always wear eye protection with side shields that meets the requirements of ANSI Standard Z87.1. Ordinary eyeglasses do not provide adequate protection because they do not contain impact resistant safety glass.

⚠ WARNING: Operating the tool without wearing proper eye protection may result in serious injury.

10. Electric brake
This tool is equipped with an electric brake which will typically stop the blade within 5 seconds after the trigger switch is released.
Occasionally, there will be a delay in the brake engaging which will result in a longer blade stopping time. On rare occasions, the brake may not engage at all and the saw blade will coast to a stop.
If the brake fails to engage frequently, depress and release the trigger switch to turn the tool on and off 4 or 5 times. If the brake still does not engage, have the tool serviced at a Hitachi authorized service center.
Always confirm that the saw blade has completely stopped before raising it from the workpiece.

The brake is not a substitute for a properly functioning lower guard. Check the function of the lower guard before each use. Serious personal injury may occur if the lower guard does not move smoothly and cover the blade properly.

⚠ WARNING: Please be aware of the reaction of the Motor Head (Fig.1) when the brake is activated. Braking causes the Motor Head to jerk downward and the user should be prepared for this reaction, especially when the trigger switch is released before the blade is completely down. Failure to be familiar with, and prepared for, the operational characteristics of the tool may cause serious injury.

AFTER CONNECTING THE POWER PLUG TO AN APPROPRIATE AC POWER SOURCE, CHECK THE OPERATION OF THE TOOL AS FOLLOWS:

11. Trial Run
After confirming that no one is standing behind, the power tool start and confirm that no operating abnormalities exist before attempting a cutting operation.
12. Inspect the rotating stability of the saw blade.
For precise cutting, rotate the saw blade and check for deflection to confirm that the blade is not noticeably unstable; otherwise vibrations might occur and cause an accident.

BEFORE CUTTING

1. Positioning the table insert

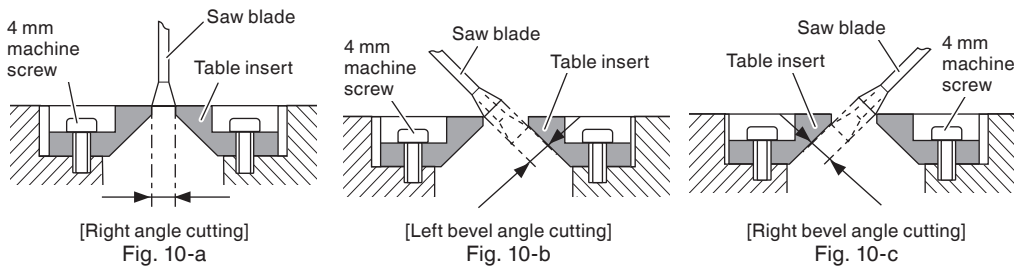


Table inserts are installed on the turntable. When shipping the tool from the factory, the table inserts are so fixed that the saw blade does not contact them. The burr of the bottom surface of the workpiece is remarkably reduced, if the table insert is fixed so that the gap between the side surface of the table insert and the saw blade will be minimum. Before using the tool, eliminate this gap in accordance with the following procedure.

- (1) Right angle cutting
Loosen the three 4 mm machine screws, then secure the left side table insert and temporarily tighten the 4 mm machine screws of both ends. Then fix a workpiece (about 7-7/8" (200 mm) wide) with the vise assembly and cut it off. After aligning the cutting surface with the edge of the table insert, securely tighten the 4 mm machine screws of both ends. Remove the workpiece and securely tighten the 4 mm center machine screw. Adjust the right hand table insert in the same way.

(2) Left and right bevel angle cutting

Adjust the table insert in the manner shown in Fig. 10-b and Fig. 10-c following the same procedure for right angle cutting.

⚠ CAUTION: After adjusting the table insert for right angle cutting, the table insert will be cut to some extent if it is used for bevel angle cutting. When bevel cutting operation is required, adjust the table insert for bevel angle cutting.

2. Use of sub fence (A)

⚠ WARNING: The sub fence (A) must be extended when making any right angle bevel cut. Failure to extend the sub fence (A) will not allow enough space for the blade to pass through which could result in serious injury. At extreme miter or bevel angles the saw blade may also contact the fence.

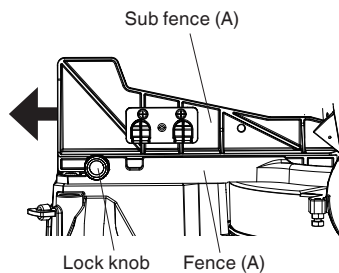


Fig. 11

This power tool is equipped with a sub fence (A).

In the case of direct angle cutting and left bevel angle cutting, use the sub fence (A). Then, you can realize stable cutting of the material with a wide back face.

When right angle cutting, loosen the lock knob, then slide the sub fence (A) outward, as shown in Fig. 11.

When you slide sub fence (A) outward, if enough space cannot be secured or the sub fence (A) comes into contact with other parts of the tool including the motor, fully remove sub fence (A) from fence (A). Also, make sure to remove the lock knob from fence (A).

NOTE: When transporting the saw, always secure the sub fence (A) in the collapsed position and lock it.

3. Use of sub fence (B)

⚠ WARNING: The sub fence (B) must be extended when making any left angle bevel cut. Failure to extend the sub fence (B) will not allow enough space for the blade to pass through which could result in serious injury. At extreme miter or bevel angles the saw blade may also contact the fence.

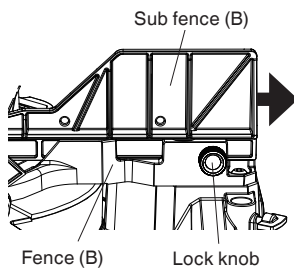


Fig. 12

This power tool is equipped with a sub fence (B). In the case of

direct angle cutting and right bevel angle cutting, use the sub

fence (B). Then, you can realize stable cutting of the material

with a wide back face. When left angle cutting, loosen the lock

knob, then slide the sub fence (B) outward, as shown in Fig. 12.

When you slide sub fence (B) outward, if enough space cannot

be secured or the sub fence (B) comes into contact with other

parts of the tool including the lower guard, fully remove sub

fence (B) from fence (B).

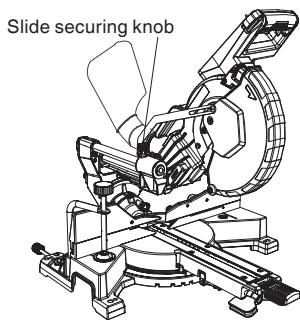
NOTE: When transporting the saw, always secure the sub fence (B) in the collapsed position and lock it.

4. Securing the workpiece

⚠ WARNING: Always clamp or vise to secure the workpiece to the fence; otherwise the workpiece might be thrust from the table and cause bodily harm.

5. Slide carriage system

⚠ WARNING: To reduce the risk of injury, return slide carriage to the full rear position after each crosscut operation.



For chop cutting operations on small workpieces, slide the cutting head assembly completely toward the rear of the unit and tighten the slide securing knob.
To cut wide boards up to 305 mm, the slide securing knob must be loosened to allow the cutting head slide freely.

Fig. 13

6. Quick-cam locking lever operation

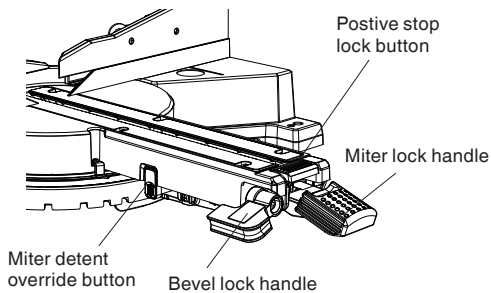


Fig. 14

If miter angles required are NOT one of the nine positive stops, the miter table can be locked at any angle between these positive stops by using the postive stop lock button and miter lock handle.

Unlock the miter table by lifting up the miter lock handle, grasp the miter lock handle and pressing down on the postive stop lock button to move the table to the desired angle, then release the postive stop lock button. Press down on the miter lock handle to lock the table in position.

7. Miter detent override button (Fig. 14)

The miter detent override button allows for the table to be micro adjusted, disengaging the positive detent stops feature. When a required miter angle is close to a positive detent stop, this override prevents the wedge on the miter arm from slipping into that detent slot on the base.

- (1) Unlock the miter table by lifting up the miter lock handle.
- (2) Press down on the positive stop locking button and press the miter detent override button in, then release the positive stop locking button while pressing the miter detent override in. The detent override is now engaged.
- (3) Turn the table to the desired angle, secure the table at the desired angle by pressing the miter lock handle.
- (4) To disengage the miter detent override button, press down again on the positive stop locking button.

8. 90° (0°) Bevel adjustment

⚠ WARNING: To ensure accurate cuts, alignment should be checked and adjustments made prior to use.

- (1) Loosen bevel lock handle by lifting it up and tilting the cutting arm while pushing in the set pin (A) against the 0° bevel stop, please refer Fig. 15-a and 15-b. Tighten the bevel lock handle.
- (2) Place a combination square on the miter table with the ruler against the table and the heel of the square against the saw blade as show in Fig. 15-a.
- (3) If the blade is not 0° to the miter table, loosen the three adjustment bolts at the rear of the unit with a 4 mm hex spanner, please refer Fig. 15-c. Unlock the bevel lock handle and adjust the cutting arm to zero degrees to the table. After alignment is achieved, tighten the three adjustment bolts and press down on the bevel lock handle to secure the cutting head.

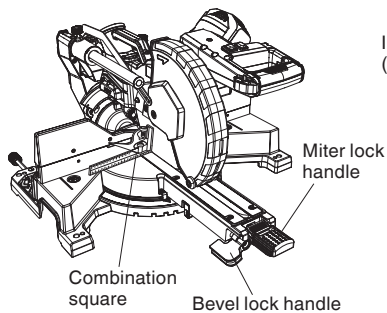


Fig. 15-a

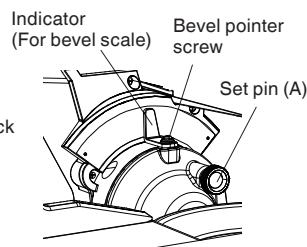


Fig. 15-b

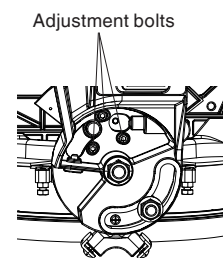


Fig. 15-c

9. 90° Indicator (For bevel scale) adjustment (Fig. 15-b)

- (1) When the blade is exactly 90° (0°) to the table, loosen the bevel pointer screw using a #2 Phillips screwdriver.
- (2) Adjust Indicator to the "0" mark on the bevel scale and retighten the screw.

10. 45° Left bevel adjustment

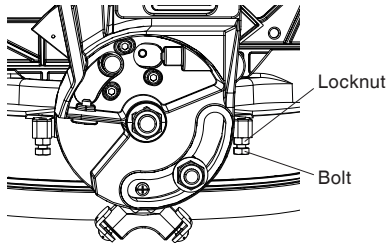


Fig. 16

- (1) Fully extend the sub fence (B) completely to the left, and then pull the set pin (A) towards the front of the machine.

NOTE: When retracting the set pin (A), it may be necessary to shift the miter saw upper arm assembly to the left/right to release the holding pressure.

- (2) Loosen the bevel lock handle and tilt the gear case completely to the left.
- (3) Using a combination square, check to see if the blade is 45° to the table.
- (4) To adjust, tilt the gear case to 0°, loosen the locknut, and turn the bolt in or out to increase or decrease the angle as shown in Fig. 16.
- (5) Tilt the gear case back to the left, and recheck alignment.
- (6) Repeat steps until the blade is 45° to the table. Once alignment is achieved, tighten locknut and bevel lock handle when alignment is achieved.

11. 45° Right bevel adjustment

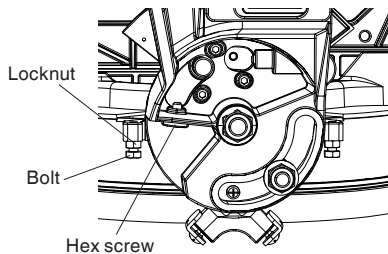


Fig. 17

- (1) Set the miter angle to 0°. Fully extend the sub fence (A) completely to the right, and then pull the set pin (A) towards the front of the machine.

NOTE: When retracting the set pin (A), it may be necessary to shift the mitre saw upper arm assembly to the left/right to release the holding pressure.

- (2) Loosen the bevel lock handle and tilt the gear case completely to the right.
- (3) Using a combination square, check to see if the blade is 45° to the table.
- (4) To adjust, tilt the gear case to 0°, loosen the locknut, and turn the bolt in or out to increase or decrease the angle as shown in Fig. 17.
- (5) Tilt the cutting arm back to the right, and recheck alignment.
- (6) Repeat steps until the blade is 45° to the table. Once alignment is achieved, tighten locknut and bevel lock handle when alignment is achieved.

12. 33.9° Left and right bevel adjustment

- (1) Set the mitre angle to 0°. Fully extend both sub fences (A, B).
- (2) Loosen the bevel lock handle, and tilt gear case to the 33.9° right bevel positive stop by pushing on the set pin (A) towards the rear of the machine.
- (3) Using a combination square, check to see if the blade is 33.9° to the table.
- (4) To adjust, turn the hex screw in or out with a 3 mm spanner until the blade is 33.9° to the table.
- (5) Repeat the above steps and turn the hex screw for the 33.9° left bevel adjustment.

13. Miter angle adjustment

The slide compound miter saw scale can be easily read, showing miter angles from 0° to 48° to the left and right. The miter saw table has nine of the most common angle settings with positive stops at 0°, 15°, 22.5°, 31.6°, and 45°. These positive stops position the blade at the desired angle quickly and accurately. Follow the process below for quickest and most accurate adjustments.

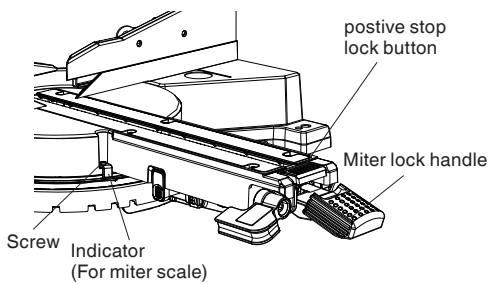


Fig. 18

Adjusting miter angles:

- (1) Lift up on the miter lock handle to unlock the table.
- (2) Move the table while pressing down on the positive stop lock button to align the pointer to the desired degree measurement.
- (3) Lock the table into position by pressing down on the miter lock handle.

Indicator (For miter scale) adjustment:

- (1) Move the table to the 0° positive stop.
- (2) Loosen the screw that holds the Indicator (For miter scale) with a Phillips screwdriver.
- (3) Adjust the pointer to the 0° mark and retighten the screw.

14. Adjusting cutting depth

The maximum depth travel of the cutting head was set at the factory.

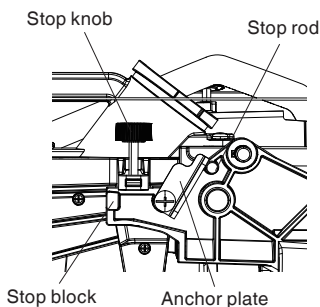


Fig. 19-a

- (1) Setting the maximum width travel of the cutting head, follow the below steps: (Fig. 19-a)
Turn the stop knob counterclockwise until the stop knob is not protruding out of the stop block while moving the cutting head upward.
Rotate the anchor plate clockwise to touch the stop rod.
Recheck the blade depth by moving the cutting head front to back through the full motion of a typical cut along the control arm.

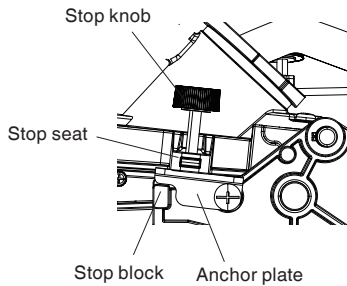


Fig. 19-b

- (2) Setting the maximum height travel of the cutting head, follow the below steps: (Fig. 19-b)
Turn the stop knob counterclockwise until the stop knob is not protruding out of the stop block while moving the cutting head upward.
Rotate the anchor plate counterclockwise to touch the stop seat.
Make sure the stop block touches the anchor plate completely.

15. Setting the cutting depth (Fig. 19-b)

The depth of cut can be preset for even and repetitive shallow cuts.

- (1) Adjust the cutting head down until the teeth of the blade are at the desired depth.
- (2) While holding the upper arm in that position, turn the stop knob until it touches the anchor plate.
- (3) Recheck the blade depth by moving the cutting head front to back through the full motion of a typical cut along the control arm.

NOTE: If the anchor plate becomes loose, it can interfere with raising and lowering the cutting head. The anchor plate must be tightened in horizontal position as shown in Fig. 19-b.

16. The laser guide

- ⚠ WARNING:** * For your own safety, never connect the plug to power source outlet until all the adjustment steps are complete and you have read and understood the safety and operational instructions.
- * Your tool is equipped with a laser guide using a Class IIIa laser guide. The laser guide allows you to preview the saw blade path on the workpiece to be cut before starting the miter saw. This laser guide is powered by the transformed alternating current supply directly through the power lead. The saw must be connected to the power source and the laser on/off switch must be turned on for the laser line to show.

- (1) Avoid direct eye contact

⚠ WARNING: * Laser radiated when laser guide is turned on. Avoid direct eye contact.

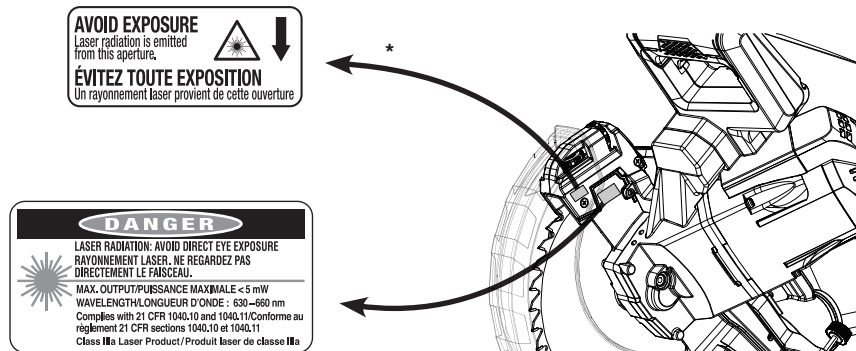


Fig. 20

⚠ CAUTION: * Use of controls or adjustments or performance of procedures may result in hazardous radiation exposure.
* The use of optical instruments with this product will increase eye hazard.

⚠ WARNING: Do not attempt to repair or disassemble the laser. If unqualified persons attempt to repair this laser product, serious injury may result. Any repair required on this laser product should be performed by a qualified service dealer.

- (2) Checking laser line alignment

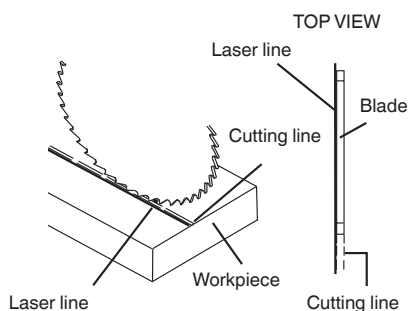


Fig. 21

- Set the saw to a 0° miter and 0° bevel setting.
- Use a combination square to mark a 90° angled running across the top and down the front of a board. This line will serve as the pattern line to adjust the laser. Place the board on the saw table.
- Carefully lower the saw head down to align the saw blade with the pattern line. Position the saw blade to the left, side of the “pattern line” depending on your preference for the laser line location. Lock the board in place with the hold-down clamp.
- With the saw plugged in, turn on the laser guide. Your saw has been preset with the laser line to the left side of the blade.

⚠ WARNING: When making laser line adjustments, keep fingers away from the ON/OFF trigger switch to prevent accidental starting and possible serious injury.

- (e) Slide the cutting head forward enough so that the laser line is visible on the front of the board.
- (f) Looking at the front of the board, if the laser line is not parallel to the “pattern line” please follow the instructions listed below under “Front line” paragraph.
- (g) Looking at the top of the board, if the laser line is not parallel to the “pattern line” please follow the instructions listed below under “Top line” paragraph.

NOTE: If the laser line is not visible on the front of a board, lower the cutting head until the laser line is visible.

(3) Adjusting the position of the laser line

Front line

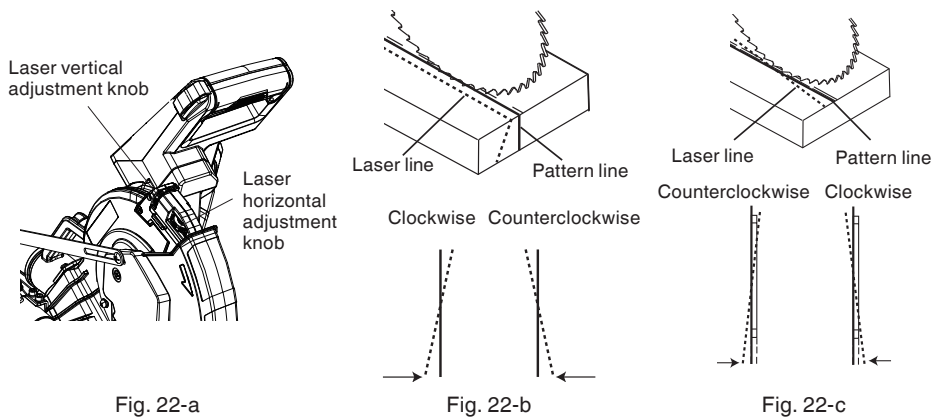
If the laser line is angled from pattern line of front side, turn the laser vertical adjustment knob to align the laser line parallel with pattern line. (Fig. 22- b)

Top line

If the laser line is angled from pattern line of top side, turn the laser horizontal adjustment knob to align the laser line parallel with pattern line. (Fig. 22- c)

NOTE: When adjusting the front line and top line, turning the adjustment knob too much will result in the laser reflecting off of the saw blade to produce two laser lines.

NOTE: After performing the above adjustments, visually check that both the front and top laser lines are parallel with pattern line.



PRACTICAL APPLICATIONS

- ⚠ WARNING:** * To avoid personal injury, never remove or place a workpiece on the table while the tool is being operated.
 * Never place your limbs inside of the line next to warning sign while the tool is being operated. This may cause hazardous conditions (see Fig. 23).

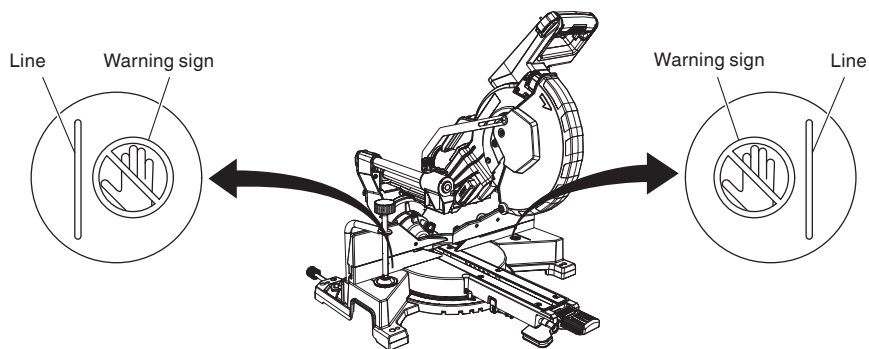


Fig. 23

1. Switch operation

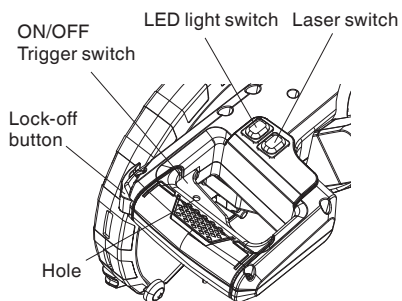
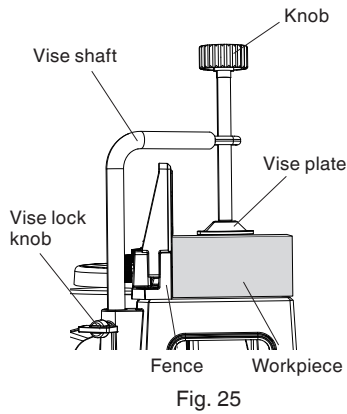


Fig. 24

- (1) Turning the saw on
 This miter saw is equipped with an ON/OFF trigger switch (2). With the lock-off button pressed, squeeze the trigger switch to turn the miter saw ON. Release the trigger switch to turn the saw OFF.
- (2) Turning the laser guide / LED light on
 Press the laser switch to turn it ON, and press again to turn it OFF.
 Press the the LED light switch to turn it ON, and press again to turn it OFF.

- ⚠ WARNING:** Make the ON/OFF switch childproof. Insert a padlock, or chain with padlock, through the hole in the trigger and lock the tool's switch, preventing children and other unqualified users from turning the machine on.

2. Using the Vise Assembly (Standard accessory)



- (1) The vise assembly can be mounted on the base.
- (2) Turn the upper knob and securely fix the workpiece in position (Fig. 25).

⚠ WARNING: Always firmly clamp or vise to secure the workpiece to the fence; otherwise the workpiece might be thrust from the table and cause bodily harm.

3. Cutting Operation

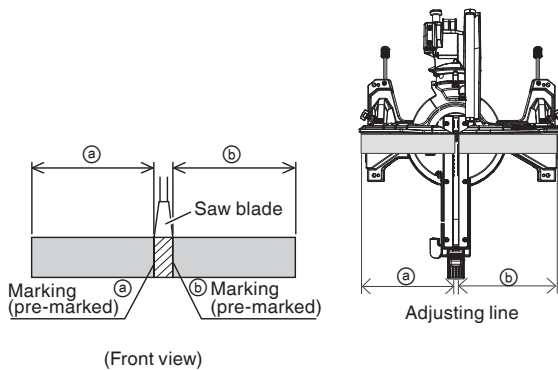


Fig. 26

- (1) As shown in Fig. 26 the width of the saw blade is the width of the cut. Therefore, slide the workpiece to the right (viewed from the operator's position) when length (b) is desired, or to the left when length (a) is desired. If a laser marker is used, align the laser line with the left side of the saw blade, and then align the ink line with the laser line.
- (2) Once the saw blade reaches maximum speed, push the handle down carefully until the saw blade approaches the workpiece.

- (3) Once the saw blade contacts the workpiece, push the handle down gradually to cut into the workpiece.
- (4) After cutting the workpiece to the desired depth, turn the power tool OFF and let the saw blade stop completely before raising the handle from the workpiece to return it to the full retract position.

⚠ CAUTION: Increased pressure on the handle will not increase the cutting speed. On the contrary, too much pressure may result in overload of the motor and/or decreased cutting efficiency.

⚠ WARNING:

- * Confirm that the trigger switch is turned OFF and the power plug has been removed from the receptacle whenever the tool is not in use.
- * Always turn the power off and let the saw blade stop completely before raising the handle from the workpiece. If the handle is raised while the saw blade is still rotating, the cut-off piece may become jammed against the saw blade causing fragments to scatter about dangerously.
- * Every time one cutting or deep-cutting operation is finished, turn the trigger switch off, and check that the saw blade has stopped. Then raise the handle, and return it to the full retract position.
- * Be absolutely sure to remove the cut material from the top of the turntable, and then proceed to the next step.
- * Continued cutting operation can result in overload of the motor. Touch the motor and if it's hot, stop your cutting operation at once and rest for 10 minutes or so, and then restart your cutting operation.

4. Cutting wide workpieces (Slide cutting)

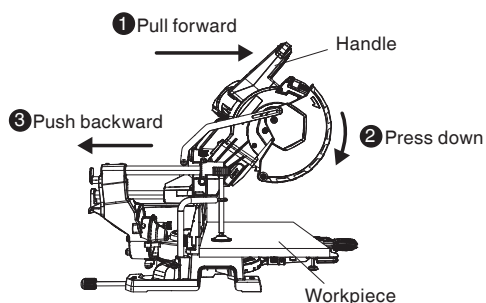


Fig. 27

- (1) Workpieces up to 3-1/2" (89 mm) high and 11-1/2" (292 mm) wide:
Loosen the slide securing knob (see Fig. 1), grip the handle and slide the saw blade forward. Then press down on the handle and slide the saw blade backward to cut the workpiece as indicated in Fig. 27. This facilitates cutting of workpieces of up to 3-1/2" (89 mm) in height and 11-1/2" (292 mm) in width.
- (2) Workpieces up to 2-1/2" (64 mm) high and 12-1/2" (318 mm) wide:
Workpieces of up to 2-1/2" (64 mm) in height and up to 12-1/2" (318 mm) in width can be cut in the same manner as described in paragraph 4-(1) above on page 29.

⚠ CAUTION: * If the handle is pressed down with excessive or lateral force, the saw blade may vibrate during the cutting operation and cause unwanted cutting marks on the workpiece, thus reducing the quality of the cut.

Accordingly, press the handle down gently and carefully.

* In slide cutting, gently push the handle back (rearwards) in a single, smooth operation.

Stopping the handle movement during the cut will cause unwanted cutting marks on the workpiece.

⚠ WARNING: * For slide cutting, follow the procedures indicated above in Fig. 27. Forward slide cutting (toward the operator) is very dangerous because the saw blade could kick upward from the workpiece. Therefore, always slide the handle away from the operator.

* Always return the carriage to the full rear position after each crosscut operation in order to reduce the risk of injury.

* Never put your hand on the side handle during the cutting operation because the saw blade comes close to the miter lock handle when the motor head is lowered.

5. Bevel cutting procedures

⚠ WARNING: The sub fences must be extended when making any bevel cut. Failure to extend the sub fences will not allow enough space for the blade to pass through which could result in serious injury. At extreme miter or bevel angles the saw blade may also contact the fence.

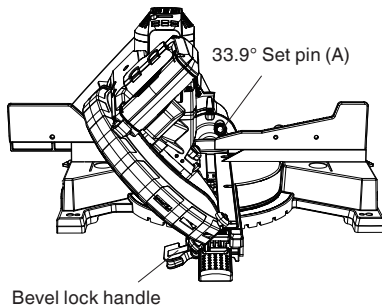


Fig. 28

- (1) When a bevel cut is required, loosen the bevel lock handle.
- (2) Tilt the cutting head to the desired angle while pulling the set pin (A), as shown on the bevel scale.
- (3) The blade can be positioned at any angle, from a 90° straight cut (0° on the scale) to a 45°. Tighten the bevel lock handle to lock the cutting head in position. Positive stops are provided at 0°, 33.9° and 45°.

NOTE: The saw comes with a 33.9° set pin (A) for setting up crown moulding cuts when the angle of the walls equals 90°.

- (4) Turn the laser guide on and position the workpiece on the table for pre-alignment of your cut.

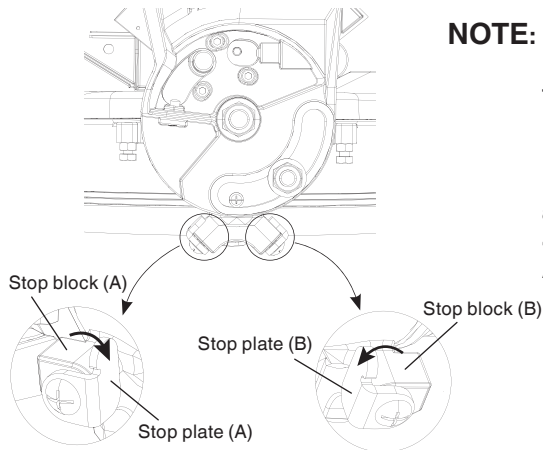


Fig. 29

NOTE: If 48° left bevel is necessary, slide the bevel stop plate (A) clockwise away from the stop block (A) to achieve 48° left bevel.

If 48° right bevel is necessary, slide the bevel stop plate (B) counterclockwise away from the stop block (B) to achieve 48° right bevel.

Also, use anchor plate. (see Fig. 19-b)

⚠ WARNING: When the workpiece is secured on the left or right side of the blade, the short cut-off portion will come to rest on the right or left side of the saw blade. Always turn the power off and let the saw blade stop completely before raising the handle from the workpiece.

If the handle is raised while the saw blade is still rotating, the cut-off piece may become jammed against the saw blade causing fragments to scatter about dangerously.

When stopping the bevel cutting operation halfway, start cutting after pulling back the motor head to the initial position.

Starting from halfway, without pulling back, causes the lower guard to be caught in the cutting groove of the workpiece and to contact the saw blade.

⚠ CAUTION: * If not tightened firmly enough the motor head might suddenly move or slip, causing injuries. Be sure to tighten the motor head section enough so it will not move.

* Always check that the bevel lock handle is secured and the motor head is clamped. If you attempt angle cutting without clamping the motor head, then the motor head might shift unexpectedly causing injuries.

6. 33.9° Set pin (A) for crown mouldings (Fig. 28)

- (1) Push the bevel set pin (A) in towards the rear of the machine.
- (2) Loosen the bevel locking handle.
- (3) Tilt the cutting head until the set pin (A) stops the bevel angle at 33.9° on the bevel scale.
- (4) Tighten the bevel locking handle to lock the cutting head in position. (see Fig. 28)

7. Miter cutting procedures

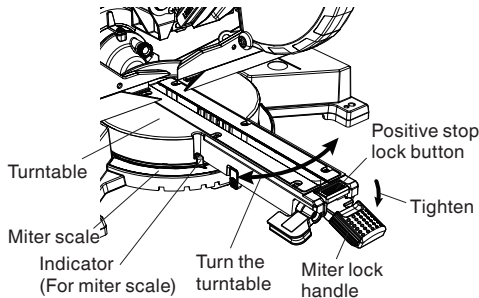


Fig. 30

- (1) Unlock the miter table by lifting up on the miter lock handle.
- (2) While pressing down on the positive stop lock button, grasp the miter lock handle and rotate the table left or right to the desired angle.
- (3) Once the desired miter angle is achieved, release the positive stop lock button and press down on the miter lock handle to secure the table into position.

- (4) If the desired miter angle is NOT one of the nine positive stops noted below, please see the Miter detent override button section on page 21.
- (5) Turn the laser guide on and position the workpiece on the table for pre-alignment of your cut.

⚠ CAUTION: Always check that the miter lock handle is secured and the turntable is clamped.
If you attempt angle cutting without clamping the turntable, then the turntable might shift unexpectedly causing injuries.

NOTE: * Positive stops are provided at the right and left of the 0° center setting, at 15°, 22.5°, 31.6° and 45° settings.
Check that the miter scale and the tip of the indicator are properly aligned.
* Operation of the saw with the miter scale and indicator out of alignment will result in poor cutting precision.

8. Compound cutting procedures

Compound cutting can be performed by following the instructions in 5 to 7 above. For maximum dimensions for compound cutting, refer to "SPECIFICATIONS" table on page 12.

⚠ CAUTION: Always secure the workpiece with the right or left hand and cut it by sliding the round portion of the saw backwards with the left hand.
It is very dangerous to rotate the turntable to the left during compound cutting because the saw blade may come into contact with the hand that is securing the workpiece.
In case of compound cutting (angle + bevel) by left bevel, extend the sub-fence (B) fully before cutting operation.
In case of compound cutting (angle + bevel) by right bevel, extend the sub-fence (A) fully before cutting operation.
Please confirm that sub fence (A) (B) does not interfere with other parts before attempting compound cutting. If there is any interference, remove either sub fence (A) or (B).

9. Crown molding cutting procedures

Fig. 31 shows two common crown molding types having angles of (θ) 38° and 45° .
For the typical crown molding fittings, see Fig. 32.

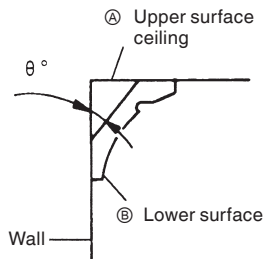


Fig. 31

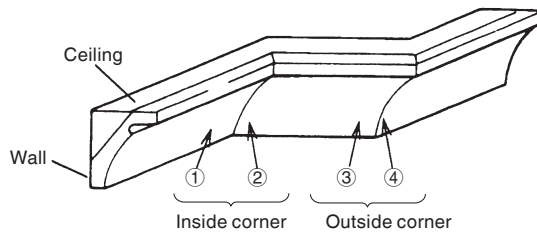


Fig. 32

The table below shows the miter angle and the bevel angle settings that are ideal for the two crown molding types.

NOTE: For convenience, positive stops are provided for the miter setting (left and right 31.6°) positions.

For miter cut setting

If the turntable has been set to either of the angles described, move the turntable adjusting miter lock handle a little to the right and left to stabilize the position and to properly align the miter angle scale and the tip of the indicator before the operation starts.

For bevel cut setting

Tighten the bevel lock handle and check that the position is stable and that the bevel angle scale and the tip of the indicator are properly aligned. Then tighten the clamp lever.

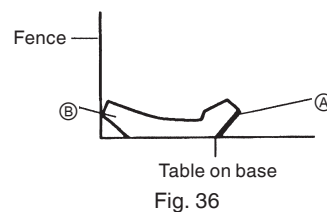
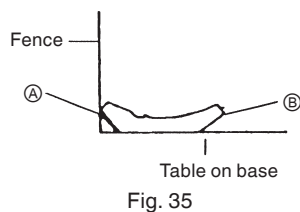
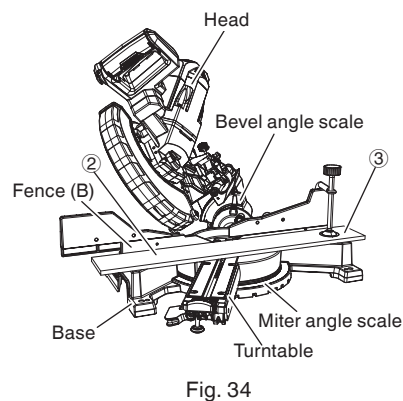
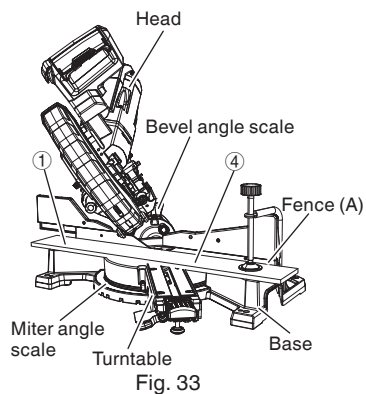
Type of Crown Molding	To process crown molding at positions ① and ④ in Fig. 32.		To process crown molding at positions ② and ③ in Fig. 32.	
	Miter Angle Setting	Bevel Angle Setting	Miter Angle Setting	Bevel Angle Setting
45° Type	right 35.3°	left 30°	left 35.3°	left 30°
38° Type	right 31.6°	left 33.9°	left 31.6°	left 33.9°

(1) Setting to cut crown moldings at positions ① and ④ in Fig. 32 (see Fig. 33; tilt the motor head to the left):

- ① Turn the turntable to the right and set the Miter Angle as follows:
 - * For 45° type crown moldings: 35.3°
 - * For 38° type crown moldings: 31.6°
- ② Tilt the motor head to the left and set the Bevel Angle as follows:
 - * For 45° type crown moldings: 30°
 - * For 38° type crown moldings: 33.9°
- ③ Position the crown molding so that the upper surface (Ⓐ in Fig. 31) contacts the fence as indicated in Fig. 35.

(2) Setting to cut crown moldings at positions ② and ③ in Fig. 32 (see Fig. 34; tilt the head to the left):

- ① Turn the turntable to the left and set the Miter Angle as follows:
 - * For 45° type crown moldings: 35.3°
 - * For 38° type crown moldings: 31.6°
- ② Tilt the head to the left and set the Bevel Angle as follows:
 - * For 45° type crown moldings: 30°
 - * For 38° type crown moldings: 33.9°
- ③ Position the crown molding so that the lower surface (Ⓑ in Fig. 31) contacts the fence as in Fig. 36.



(3) Setting to cut crown moldings at positions ① and ④ in Fig. 32 (see Fig. 37; tilt the head to the right):

① Turn the turntable to the right and set the Miter Angle as follows:

- * For 45° type crown moldings: 35.3°
- * For 38° type crown moldings: 31.6°

② Tilt the head to the right and set the Bevel Angle as follows:

- * For 45° type crown moldings: 30°
- * For 38° type crown moldings: 33.9°

③ Position the crown molding so that the upper surface (Ⓑ in Fig. 31) contacts the fence as indicated Fig. 39.

(4) Setting to cut crown moldings at positions ② and ③ in Fig. 32 (see Fig. 38; tilt the head to the right):

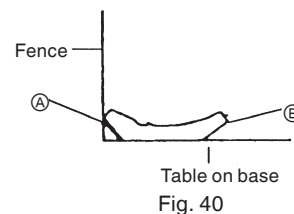
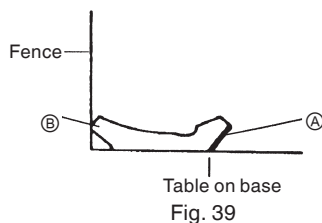
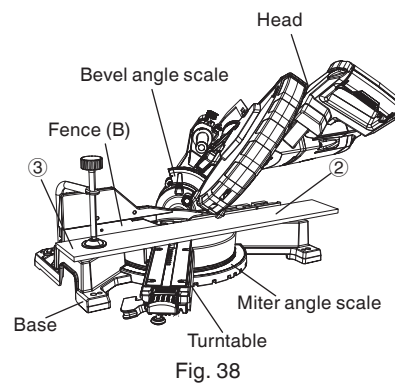
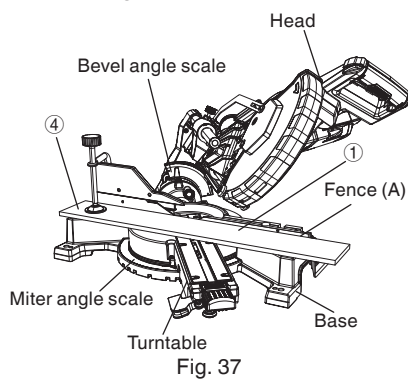
① Turn the turntable to the left and set the Miter Angle as follows:

- * For 45° type crown moldings: 35.3°
- * For 38° type crown moldings: 31.6°

② Tilt the head to the right and set the Bevel Angle as follows:

- * For 45° type crown moldings: 30°
- * For 38° type crown moldings: 33.9°

③ Position the crown molding so that the lower surface (Ⓐ in Fig. 31) contacts the fence as in Fig. 40.



⚠ WARNING: Always firmly clamp or vise to secure the crown molding to the fence; otherwise the crown molding might be thrust from the table and cause bodily harm.

10. Groove cutting procedures

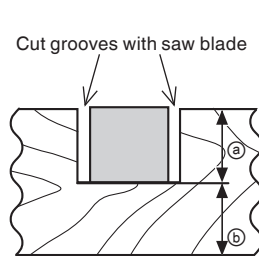


Fig. 41

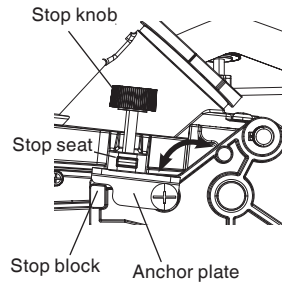
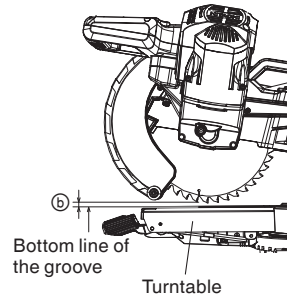


Fig. 42



Grooves in the workpiece can be cut as indicated in Fig. 41 by adjusting the stop knob.

Cutting depth adjustment procedure:

- (1) Turn the anchor plate on the direction shown in Fig. 42. Lower the motor head, and turn the stop knob by hand. (Where the head of the stop knob contacts the anchor plate.)
- (2) Adjust to the desired cutting depth by setting the distance between the saw blade and the surface of the turntable (see ⑥ in Fig. 42).

NOTE: When cutting a single groove at either end of the workpiece, remove the unneeded portion with a chisel.

11. Cutting easily-deformed materials, such as aluminum sash

Materials such as aluminum sash can easily deform when tightened too much in a vise assembly. This will cause inefficient cutting and possible overload of the motor.

When cutting such materials, use a wood plate to protect the workpiece as shown in Fig. 43-a. Set the wood plate near the cutting section.

When cutting aluminum materials, coat the saw blade with cutting oil (non-combustible) to achieve smooth cutting and a fine finish.

In addition, in case of a U-shaped workpiece, use the wood plate as shown in Fig. 43-b to ensure stability in the lateral direction, and clamp it near the cutting section of the workpiece and tighten it using both the vise assembly and the clamp available in the market.

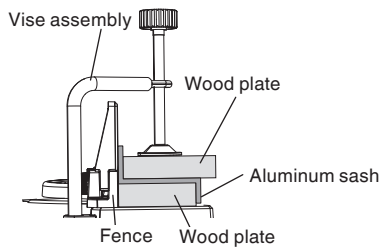


Fig. 43-a

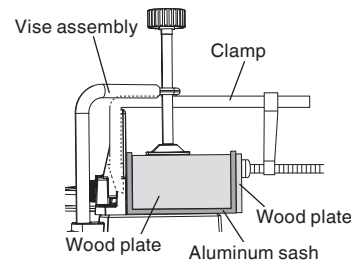


Fig. 43-b

SAW BLADE MOUNTING AND DISMOUNTING

⚠ WARNING: * To prevent an accident or personal injury, always turn off the trigger switch and disconnect the power plug from the receptacle before removing or installing a saw blade.

If cutting work is done in a state where the 8 mm bolt is not sufficiently tightened, the 8 mm bolt can get loose, the blade can come off, and the lower guard can get damaged, resulting in injuries.

Also, check that the 8 mm bolts are properly tightened before plugging the power plug into the receptacle.

* If the 8 mm bolts are attached or detached using tools other than the 13 mm wrench (standard accessory), excessive or improperly tightening occurs, resulting in injury.

1. Dismounting the blade (Fig. 44-a, Fig. 44-b, Fig. 44-c and Fig. 44-d)
 - (1) Unplug the power cord from the outlet.
 - (2) Raise the cutting head to the upright position and slide the cutting head completely toward the rear of the unit and tighten the slide securing knob.
 - (3) Raise the lower guard to the up position.
 - (4) Remove the cover plate screw with a Phillips screwdriver.
 - (5) Place the blade end spanner over the 8 mm bolt.
 - (6) Locate the spindle lock on the motor.
 - (7) Press the spindle lock, holding it in firmly while turning the blade clockwise. The spindle lock will then engage and lock the arbour. Continue to hold the spindle lock, while turning the spanner clockwise to loosen the 8 mm bolt.
 - (8) Remove the 8 mm bolt, washer (B) and the blade. Do not remove the washer (A).

NOTE: If the spindle lock cannot be easily pressed in to lock the spindle, turn the 8 mm bolt with 13 mm wrench (standard accessory) while applying pressure on the spindle lock.

The saw blade spindle is locked when the spindle lock is pressed inward.

NOTE: Pay attention to the pieces removed, noting their position and direction they face. Wipe the washer (B) clean from any sawdust before installing a new blade.

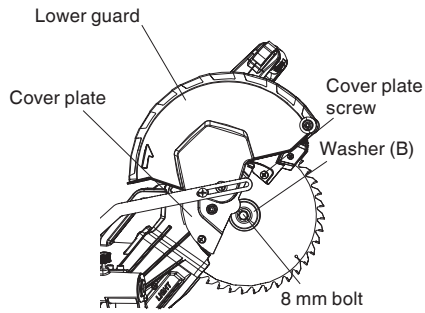


Fig. 44-a

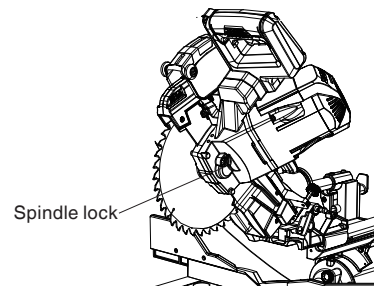


Fig. 44-b

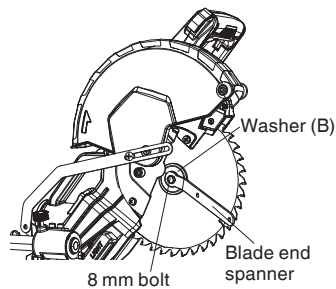


Fig. 44-c

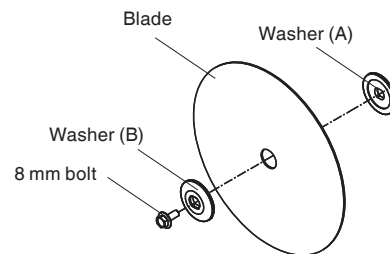


Fig. 44-d

⚠ WARNING: When mounting the saw blade, confirm that the rotation indicator mark on the saw blade and the rotation direction of the lower guard (see Fig. 1) are properly matched.

⚠ CAUTION: * Confirm that the spindle lock has returned to the retract position after installing or removing the saw blade.
* Tighten the 8 mm bolt so it does not come loose during operation. Confirm the 8 mm bolt has been properly tightened before the power tool is started.

2. Mounting the saw blade

⚠ WARNING: Unplug the mitre saw before changing/installing the blade.

- (1) Select a 255 mm blade, making sure the rotation arrow on the blade matches the clockwise rotation arrow on the lower guard, and the blade teeth are pointing downward.
- (2) Place the blade, washer (B) against the blade. Thread the 8 mm bolt in a counterclockwise direction.

NOTE: Make sure the flats of the blade collars are engaged with the flats on the arbour shaft. Also, the flat side of the blade collar must be placed against the blade.

- (3) Place the blade spanner on the 8 mm bolt.
- (4) Press the spindle lock, holding it in firmly while turning the blade counterclockwise. When it engages, continue to press the spindle lock in, while tightening the 8 mm bolt securely.
- (5) Replace the cover plate screw and tighten with a Phillips screwdriver.
- (6) Rotate the cover plate and lower guard back to its original position.
- (7) Verify the operation of the lower guard does not bind or stick.
- (8) Be sure the spindle lock is released so the blade turns freely.

⚠ CAUTION: Never attempt to install saw blades larger than 10" (255 mm) in diameter.
Always install saw blades that are 10" (255 mm) in diameter or less.

MAINTENANCE AND INSPECTION

⚠ WARNING: To avoid an accident or personal injury, always confirm that the trigger switch is turned OFF and the power plug has been disconnected from the receptacle before performing any maintenance or inspection of this tool.

1. Inspecting the saw blade
Always replace the saw blade immediately upon the first sign of deterioration or damage. A damaged saw blade can cause personal injury and a worn saw blade can cause ineffective operation and possible overload to the motor.
⚠ CAUTION: Never use a dull saw blade. When a saw blade is dull, its resistance to the hand pressure applied by the tool handle tends to increase, making it unsafe to operate the power tool.
2. Inspecting the carbon brushes (Fig. 45 and Fig. 46)
The carbon brushes in the motor are expendable parts. If the carbon brushes become excessively worn, motor trouble might occur. Therefore, inspect the carbon brushes periodically and replace them when they have become worn to the wear limit line as shown in Fig. 45. Also, keep the carbon brushes clean so that they will slide smoothly within the brush holders.
Remove the two securing screws and the motor rear cover from the motor. Carefully remove the brush cap on the side of the motor. Third, pull out the carbon brush and replace. The ears on the metal end of the assembly go in the same hole the carbon part fits into. Last, tighten the cap snugly, but do not overtighten. Repeat above procedure for the carbon brush located on the other side of the motor.

NOTE: When replacing the carbon brushes, use only Hitachi carbon brushes having "463" of Code No. (see Fig. 45). If you use other carbon brushes, the electric brake will not operate.

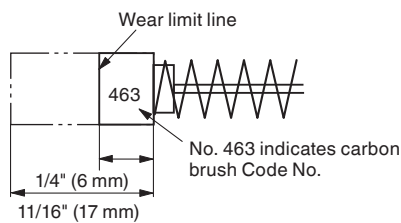


Fig. 45

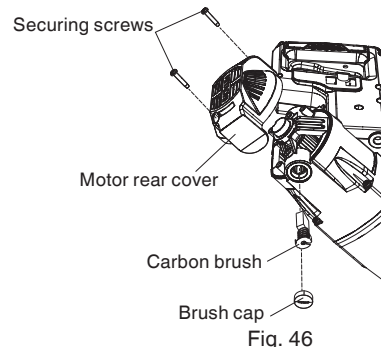


Fig. 46

3. About Handling the Motor (see Fig. 1)

Winding of the motor is said to be the heart of this tool. Exercise utmost caution not to damage the winding by exposing it to wash oil or water.

NOTE: Accumulation of dust and the like inside the motor can result in a malfunction.

After using the motor for 50 hours or so, carry out no-load running, and blow in the dry air from a wind hole at the motor's rear. Such action is effective to discharge dust and the like.

4. Inspecting the screws

Regularly inspect each component of the power tool for looseness. Re-tighten screws on any loose part.

⚠ WARNING: To prevent personal injury, never operate the power tool if any components are loose.

5. Inspecting the lower guard for proper operation

Before each use of the tool, test the lower guard (see Fig. 9) to assure that it is in good condition and that it moves smoothly.

Never use the tool unless the lower guard operates properly and it is in good mechanical condition.

6. Storage

After operation of the tool has been completed, check that the following has been performed:

- (1) Trigger switch is in OFF position,
- (2) Power plug has been removed from the receptacle,

When the tool is not in use, keep it stored in a dry place out of the reach of children.

7. Lubrication

Lubricate the following sliding surfaces once a month to keep the power tool in good operating condition for a long time (see Fig. 1 and Fig. 2). Use of machine oil is recommended.

Oil supply points:

- * Rotary portion of hinge
- * Rotary portion of vise assembly
- * Rotary portion of holder (A)

8. Cleaning

Periodically remove chips, dust and other waste material from the surface of the power tool, especially from the inside of the lower guard with a damp, soapy cloth. To avoid a malfunction of the motor, protect it from contact with oil or water.

If the laser line becomes invisible due to chips and the like adhered onto the window of the laser marker's light-emitting section, wipe and clean the window with a dry cloth or a soft cloth moistened with soapy water, etc.

9. Service parts list

- A: HKU#
- B: I.D. No.
- C: Description
- D: Size
- E: Q'ty

⚠ CAUTION: Repair, modification and inspection of Hitachi Power Tools must be carried out by a Hitachi Authorized Service Center.
This Parts List will be helpful if presented with the tool to the Hitachi Authorized Service Center when requesting repair or other maintenance. In the operation and maintenance of power tools, the safety regulations and standards prescribed in each country must be observed.

MODIFICATIONS:

Hitachi Power Tools are constantly being improved and modified to incorporate the latest technological advancements.

Accordingly, some parts (i.e. code numbers and/or design) may be changed without prior notice.

SERVICE AND REPAIRS

All quality power tools will eventually require servicing or replacement of parts because of wear from normal use. To assure that only authorized replacement parts will be used and that the double insulation system will be protected, all service (other than routine maintenance) must be performed by an AUTHORIZED HITACHI POWER TOOL REPAIR CENTER ONLY.

NOTE: Specifications are subject to change without any obligation on the part of HITACHI.

INFORMATIONS IMPORTANTES DE SÉCURITÉ

Lire et comprendre toutes les précautions de sécurité, les avertissements et les instructions de fonctionnement dans ce mode d'emploi avant d'utiliser ou d'entretenir cet outil motorisé.

La plupart des accidents causés lors de l'utilisation ou de l'entretien de l'outil motorisé proviennent d'un non respect des règles ou précautions de base de sécurité. Un accident peut la plupart du temps être évité si l'on reconnaît une situation de danger potentiel avant qu'elle ne se produise, et en observant les procédures de sécurité appropriées.

Les précautions de base de sécurité sont mises en évidence dans la section "SECURITE" de ce mode d'emploi et dans les sections qui contiennent les instructions de fonctionnement et d'entretien.

Les dangers qui doivent être évités pour prévenir des blessures corporelles ou un endommagement de la machine sont identifiés par AVERTISSEMENTS sur l'outil motorisé et dans ce mode d'emploi.

NE JAMAIS utiliser cet outil motorisé d'une manière qui n'est pas spécifiquement recommandée par HITACHI.

SIGNIFICATION DES MOTS D'AVERTISSEMENT

AVERTISSEMENT indique des situations potentiellement dangereuses qui, si elles sont ignorées, pourraient entraîner la mort ou de sérieuses blessures.

PRECAUTION indique des situations dangereuses potentielles qui, si elles ne sont pas évitées, peuvent entraîner de mineures et légères blessures ou endommager la machine.

REMARQUE met en relief des informations essentielles.

SECURITE

CONSIGNES DE SECURITE RELATIVES AUX OUTILS ÉLECTRIQUES

LIRE TOUS LES AVERTISSEMENTS ET TOUTES LES INSTRUCTIONS D'UTILISATION DU MANUEL AVANT DE METTRE L'OUTIL EN SERVICE OU DE L'ENTREtenir:

⚠ AVERTISSEMENT: Lorsqu'on utilise l'outil électrique, prendre toutes les précautions nécessaires pour éviter au maximum tout risque de choc électrique ou autre blessure physique. En particulier, toujours respecter les consignes de sécurité suivantes:

- 1. TOUJOURS LAISSER LES PROTECTIONS EN PLACE** et les maintenir en bon ordre de marche.
- 2. TOUJOURS RETIRER LES CLAVETTES DE RÉGLAGE ET LES CLÉS AVANT DE METTRE L'OUTIL EN MARCHÉ.** Toujours vérifier que les clés et les clavettes de réglage sont bien toutes retirées de l'outil avant de le mettre en marche.
- 3. TOUJOURS MAINTENIR L'AIRE DE TRAVAIL PROPRE.** Pour éviter tout risque de blessure, ne pas encombrer l'aire de travail ni l'établi.
- 4. NE JAMAIS UTILISER L'OUTIL DANS UN ENVIRONNEMENT DANGEREUX.** Ne jamais utiliser l'outil électrique dans un endroit humide ou mouillé, et ne jamais l'exposer à la pluie. Toujours veiller à ce que l'aire de travail soit suffisamment éclairée.
- 5. NE JAMAIS LAISSER LES ENFANTS NI AUCUNE AUTRE PERSONNE APPROCHER DE L'AIRE DE TRAVAIL.** Interdire l'accès de l'aire de travail à tout le monde (en particulier aux enfants). Toujours débrancher l'outil quand on s'en éloigne et veiller à ce que personne ne puisse pénétrer dans l'aire de travail en mettant des verrous aux portes et aux interrupteurs principaux. Toujours retirer le bouton de déverrouillage de l'outil et le ranger en lieu sûr lorsqu'on ne s'en sert pas.
- 6. NE JAMAIS FORCER L'OUTIL.** Il effectuera le travail le meilleur et avec la sécurité maximale au régime pour lequel il a été conçu.
- 7. TOUJOURS UTILISER LES OUTILS APPROPRIÉS.** Ne jamais utiliser un outil ou un accessoire pour un travail pour lequel il n'est pas conçu.
- 8. PORTER DES VÊTEMENTS APPROPRIÉS PENDANT LE TRAVAIL.** Ne jamais porter de vêtements lâches ni de gants, cravate, bagues, bracelets ni aucun autre bijou. Ils pourraient se coincer dans les pièces en rotation. Toujours porter des chaussures anti-dérapantes, en particulier avec des doigts de pied en acier. Porter un couvre-chef qui recouvre les cheveux longs.

9. **TOUJOURS PORTER DES LUNETTES DE PROTECTION AVEC PROTECTIONS LATÉRALES QUI RÉPONDENT AUX EXIGENCES DE LA NORME ANSI Z87.1 AFIN D'ÉVITER TOUT RISQUE DE BLESSURES AUX YEUX PENDANT LE TRAVAIL AVEC CET OUTIL.** Les lunettes ordinaires n'assurent pas une protection suffisante parce que les verres ne sont pas faits en verre de sécurité résistants aux chocs. Par ailleurs, porter un masque sur le visage pour accroître la sécurité et un masque anti-poussière si le travail doit dégager de la poussière.
10. **TOUJOURS FIXER LA PIÈCE À LA GARDE OU À LA TABLE.** Utiliser des dispositifs de serrage ou un étau pour tenir la pièce. Cela sera plus sûr que de tenir la pièce à la main et libérera les deux mains pour le travail.
11. **NE JAMAIS TROP SE PENCHER.** Toujours garder une bonne assise et un bon équilibre pendant le travail.
12. **TOUJOURS ENTRETENIR LES OUTILS AVEC SOIN.** Maintenir les outils aiguisés et propres pour optimiser le travail et la sécurité. Toujours suivre les instructions de graissage et de remplacement des accessoires.
13. **TOUJOURS DÉBRANCHER L'OUTIL** avant un entretien et lors du remplacement des lames ou de tout autre accessoire.
14. **NE JAMAIS RISQUER UNE MISE EN MARCHÉ INOPINÉE LORSQU'ON BRANCHE L'OUTIL.** Toujours vérifier que l'interrupteur est en position OFF avant de brancher la fiche d'alimentation dans la prise secteur.
15. **TOUJOURS UTILISER EXCLUSIVEMENT LES ACCESSOIRES RECOMMANDÉS POUR L'OUTIL.** Consulter le mode d'emploi pour la description des outils recommandés. Pour éviter tout risque de blessure, utiliser exclusivement les accessoires recommandés pour cet outil.
16. **NE JAMAIS MONTER SUR L'OUTIL.** Pour éviter tout risque de blessures graves, ne pas incliner l'outil, et veiller à ne pas toucher la lame par inadvertance.
17. **TOUJOURS VÉRIFIER SI L'OUTIL A DES PIÈCES ENDOMMAGÉES AVANT DE L'UTILISER.** Toujours vérifier si la protection et les autres composants sont endommagés avant d'utiliser l'outil pour s'assurer qu'ils fonctionneront correctement. Vérifier si toutes les pièces mobiles sont bien alignées, non voilées, ou toute autre condition qui pourrait entraver leur bon fonctionnement. Toujours réparer ou remplacer les protections ou les autres pièces endommagées avant d'utiliser l'outil.
18. **TOUJOURS VÉRIFIER LE SENS DE ROTATION DE LA LAME AVANT D'UTILISER L'OUTIL.** Toujours avancer la pièce dans l'outil contre le sens de rotation de la lame pour éviter tout risque de blessure.
19. **NE JAMAIS S'ÉLOIGNER DE L'OUTIL QUAND IL FONCTIONNE. LE METTRE HORS TENSION.** Ne pas s'éloigner de l'outil tant qu'il n'est pas complètement arrêté. Toujours mettre l'outil hors tension quand on ne s'en sert pas. Toujours débrancher le cordon d'alimentation quand on ne se sert pas de l'outil.
20. L'outil n'est pas conçu pour des applications de fabrication en série, et il ne devra donc pas être utilisé dans un environnement de fabrication en série.
21. Pour les réparations, utiliser exclusivement des pièces de rechange agréées.
22. Alimenter l'outil exclusivement sur un courant alternatif de 120 volts. Une tension ou une alimentation incorrectes pourraient provoquer un mauvais fonctionnement de l'OUTIL ELECTRIQUE et provoquer des blessures physiques ou des dommages matériels graves.
23. Ne jamais relever la lame de la pièce tant qu'elle n'est pas complètement arrêtée.

24. Toujours utiliser des supports extérieurs pour assurer la stabilité des longues pièces qui dépassent de la table de la scie à onglet radiale.
25. Pour éviter tout risque de blessure, toujours ramener le chariot complètement vers l'arrière après chaque coupe en travers.
26. **FICHES POLARISÉES** Pour réduire tout risque de choc électrique, l'appareil possède une fiche polarisée (l'une des lames est plus large que l'autre). Cette fiche ne rentrera dans une prise polarisée que dans un sens. Si la fiche ne rentre pas dans la prise, l'inverser. Si elle ne rentre toujours pas, faire installer une prise appropriée par un électricien qualifié. Ne pas modifier la fiche de quelque façon que ce soit.

Consignes de sécurité spéciales pour cet outil électrique

⚠ AVERTISSEMENT: Pour éviter tout risque de blessure, les consignes de sécurité spéciales suivantes devront être respectées lors de l'utilisation de l'outil.

CHOSSES A FAIRE

TOUJOURS OBSERVER LES CONSIGNES SUIVANTES POUR GARANTIR UNE UTILISATION EN TOUTE SÉCURITÉ:

1. Bien lire le manuel et se familiariser avec les consignes de sécurité et les instructions d'utilisation de l'OUTIL ELECTRIQUE avant de l'utiliser.
2. Retirer tous les matériaux d'emballage qui sont attachés ou connectés à l'outil avant d'essayer de le faire fonctionner.
3. Toujours vérifier que l'OUTIL ELECTRIQUE est propre avant de l'utiliser.
4. Toujours porter des vêtements bien ajustés et des chaussures anti-dérapantes (de préférence avec des doigts de pied en acier) et des lunettes de protection lorsqu'on utilise l'OUTIL ELECTRIQUE.
5. Toujours manier l'OUTIL ELECTRIQUE avec soin. Si l'OUTIL ELECTRIQUE tombe ou qu'il heurte un objet dur, il risque de se déformer, de se fendiller ou autre dommage.
6. Toujours cesser immédiatement d'utiliser la scie si l'on remarque quelque chose d'anormal.
7. Toujours vérifier que les pièces sont toutes correctement montées et fixées avant d'utiliser l'outil.
8. Pour le remplacement de la lame, toujours vérifier que le régime nominal de la nouvelle lame convient pour l'outil.
9. Toujours mettre l'outil hors tension et attendre que la lame ait complètement cessé de tourner avant tout remplacement ou tout réglage.
10. Pendant une coupe avec chariot, toujours repousser la lame loin de l'opérateur.
11. Toujours visser ou fixer la pièce sur la garde, pour qu'elle ne risque pas d'être éjectée de la table et de provoquer des blessures.
12. Pendant une coupe d'onglet ou de biseau, toujours attendre que la lame ait complètement cessé de tourner avant de la relever.
13. Toujours faire un essai avant d'utiliser la scie pour un nouvel usage.
14. Toujours manipuler la scie avec soin lorsqu'on la démonte ou qu'on la monte.
15. Toujours vérifier qu'il n'y a ni clou ni aucun autre corps étranger dans la pièce avant de commencer une coupe.

16. Toujours éloigner les mains du trajet de lame.
17. Toujours vérifier que la protection intérieure est en place avant d'utiliser la scie.
18. Toujours vérifier que la protection intérieure ne gêne pas le mouvement du chariot avant toute coupe avec chariot.
19. Inspecter périodiquement les cordons d'alimentation.
20. Le cas échéant, toujours vérifier que l'on utilise des cordons et des rallonges du type et de la longueur voulus avant de mettre l'outil en marche.
21. Toujours vérifier que les événements d'aération du moteur sont complètement dégagés avant d'utiliser l'outil.
22. Toujours attendre que le moteur ait atteint sa vitesse de régime avant d'entamer une coupe.
23. Toujours maintenir les poignées sèches, propres et sans huile ni graisse. Tenir l'outil fermement pendant le travail.
24. Toujours utiliser des supports extérieurs pour soutenir les pièces longues qui dépassent de la table de la scie à coupe d'onglet.
25. Toujours commencer par s'assurer que la pièce est correctement fixée dans un étau.
26. Le mode d'emploi fourni avec l'outil explique à l'utilisateur comment fixer l'outil sur la structure de support si, pendant un fonctionnement normal, l'outil a tendance à se renverser, à glisser, ou à se déplacer sur la surface de support.

CHOSSES A NE PAS FAIRE

POUR GARANTIR UNE UTILISATION EN TOUTE SÉCURITÉ, NE JAMAIS VIOLER LES CONSIGNES SUIVANTES:

1. Ne jamais utiliser l'OUTIL ELECTRIQUE si l'on ne comprend pas bien les instructions de ce manuel.
2. Ne jamais s'éloigner de l'OUTIL ELECTRIQUE sans débrancher auparavant son cordon d'alimentation.
3. Ne jamais utiliser l'OUTIL ELECTRIQUE quand on est fatigué, après avoir pris des médicaments ou consommé des boissons alcoolisées.
4. Ne jamais utiliser l'OUTIL ELECTRIQUE pour des applications non spécifiées dans ce mode d'emploi.
5. Ne jamais faire fonctionner l'outil si l'on porte des vêtements lâches, une cravate ou des bijoux, ou sans se couvrir les cheveux, pour éviter qu'ils ne se prennent dans les pièces mobiles.
6. Ne jamais approcher les mains de la lame.
7. Ne jamais toucher les pièces en mouvement, y compris la lame, pendant le fonctionnement de la scie.
8. Ne jamais retirer les dispositifs de sécurité ni les protections de lame; l'utilisation de l'outil serait dangereuse sans ces pièces.
9. Ne jamais verrouiller la protection intérieure; toujours vérifier qu'il glisse régulièrement avant d'utiliser l'outil.
10. Ne jamais endommager le cordon d'alimentation de l'outil.
11. Quand l'OUTIL ELECTRIQUE est branché, ne jamais tenter de le déplacer avec le doigt sur l'interrupteur de marche.
12. Ne jamais utiliser l'OUTIL ELECTRIQUE si l'interrupteur de marche ne fonctionne pas correctement.

13. Ne jamais utiliser l'OUTIL ELECTRIQUE si le logement en plastique ou la poignée sont déformés ou fendillés.
14. Ne jamais utiliser l'OUTIL ELECTRIQUE à proximité d'un liquide ou d'un gaz inflammable, car les étincelles pourraient provoquer une explosion.
15. Ne jamais nettoyer les composants en plastique avec des solvants car cela risquerait de dissoudre le plastique.
16. Ne jamais faire fonctionner la scie si les protections de lame ne sont pas toutes en place.
17. Ne jamais relever la lame de la pièce tant que la lame n'est pas complètement arrêtée.
18. Lors d'une coupe avec chariot, ne jamais tirer la poignée vers l'opérateur car cela pourrait provoquer un retour de lame. Toujours repousser la poignée loin de l'opérateur d'un mouvement régulier et ininterrompu.
19. Ne jamais amener les membres à l'intérieur de la ligne à côté du signe d'avertissement "⚠" quand l'outil fonctionne. Cela pourrait être dangereux.
20. Ne jamais utiliser de lames de type abrasif avec cette scie.
21. Ne jamais exposer à la pluie ni utiliser dans un endroit humide.
22. Ne jamais couper de métaux ferreux ni de maçonnerie.

AVERTISSEMENT

POUR VOTRE PROPRE SÉCURITÉ, LISEZ ATTENTIVEMENT CE MODE D'EMPLOI AVANT D'UTILISER LA SCIE À COUPE D'ONGLET RADIALE.

1. Toujours porter des lunettes de protection lorsqu'on utilise la scie à coupe d'onglet radiale.
2. Toujours éloigner les mains du trajet de lame.
3. Ne jamais faire fonctionner la scie si les protections ne sont pas en place.
4. Ne jamais effectuer d'opération à la volée avec la scie à coupe d'onglet radiale.
5. Ne jamais s'approcher de la lame.
6. Toujours mettre la scie hors tension et attendre que la lame ait complètement cessé de tourner avant de déplacer la pièce ou de modifier les réglages.
7. Toujours débrancher l'alimentation avant de remplacer la lame ou d'entretenir l'outil.
8. Le diamètre de la lame est de 10" (255 mm).
9. La vitesse à vide est de 3,200/min.
10. Pour réduire tout risque de blessure, ramener le chariot complètement vers l'arrière après chaque opération de coupe.

PIECES DE RECHANGE

Pour les réparations, utiliser exclusivement des pièces de rechange identiques.
Les réparations devront être effectuées exclusivement par un centre de service après-vente Hitachi agréé.

UTILISER LE CORDON DE RALLONGE APPROPRIÉ

Utiliser exclusivement un cordon de rallonge en bon état. Lorsqu'on utilise un cordon de rallonge, veiller à ce qu'il soit suffisamment lourd pour supporter le courant dont l'appareil aura besoin. Un cordon trop petit provoquera une chute de la tension de ligne, ce qui entraînera une perte de puissance et une surchauffe. Le tableau indique le calibre à utiliser en fonction de la longueur du cordon et de l'intensité nominale indiquée sur la plaque signalétique. En cas de doute, utiliser un calibre supérieur. Plus le numéro du calibre est petit, plus le cordon est lourd.

		CALIBRE MINIMUM DES CORDONS			
		Longueur Totale de Cordon en Pieds (Mètres)			
		0 – 25 (0 – 7.6)	26 – 50 (7.9 – 15.2)	51 – 100 (15.5 – 30.5)	101 – 150 (30.8 – 45.7)
Intensité nominale		CALIBRE			
Supérieure	Non Supérieure				
à	à				
0 – 6		18	16	16	14
6 – 10		18	16	14	12
10 – 12		16	16	14	12
12 – 16		14	12	Non recommandé	

⚠ AVERTISSEMENT: Eviter tout risque de choc électrique. Ne jamais utiliser l'outil avec un cordon électrique ou un cordon de rallonge endommagé ou dénudé. Inspecter régulièrement les cordons électriques. Ne jamais utiliser dans l'eau ou à proximité d'eau, ni dans un environnement susceptible de provoquer un choc électrique.

DOUBLE ISOLATION POUR UN FONCTIONNEMENT PLUS SUR

Pour assurer un fonctionnement plus sûr de cet outil électrique, HITACHI a adopté une conception à double isolation. "Double isolation" signifie que deux systèmes d'isolation physiquement séparés ont été utilisés pour isoler les matériaux conducteurs d'électricité connectés à l'outil électrique à partir du cadre extérieur manipulé par l'utilisateur. C'est pourquoi, le symbole "□" ou les mots "Double insulation" (double isolation) apparaissent sur l'outil électrique ou sur la plaque signalétique.

Bien que ce système n'ait pas de mise à la terre extérieure, il est quand même nécessaire de suivre les précautions de sécurité électrique données dans ce mode d'emploi, y compris de ne pas utiliser l'outil électrique dans un environnement humide.

Pour garder le système de double isolation effectif, suivre ces précautions:

- * Seuls les CENTRES DE SERVICE AUTORISES HITACHI peuvent démonter et remonter cet outil électrique et uniquement des pièces de rechange HITACHI garanties d'origine doivent être utilisées.
- * Nettoyer l'extérieur de l'outil électrique uniquement avec un chiffon doux légèrement imbibé d'une solution savonneuse et essuyer minutieusement.
- * Ne jamais utiliser de solvants, d'essence ou de diluants sur les parties en plastique; sinon le plastique risquerait de se dissoudre.

**CONSERVER
CES INSTRUCTIONS
ET
LES METTRE A LA DISPOSITION
DES AUTRES UTILISATEURS
ET
PROPRIETAIRES DE CET OUTIL!**

UTILISATION ET ENTRETIEN

REMARQUE: Les informations contenues dans ce manuel sont destinées à vous aider à utiliser et à entretenir l'OUTIL ELECTRIQUE en toute sécurité. Certaines illustrations de ce manuel peuvent montrer des détails ou des fixations qui diffèrent de ceux de votre OUTIL ELECTRIQUE. Par ailleurs, dans certaines illustrations, les protections et les caches ont été intentionnellement supprimés à des fins d'illustration.

NOM DES PIÈCES

MODÈL C10FSHC

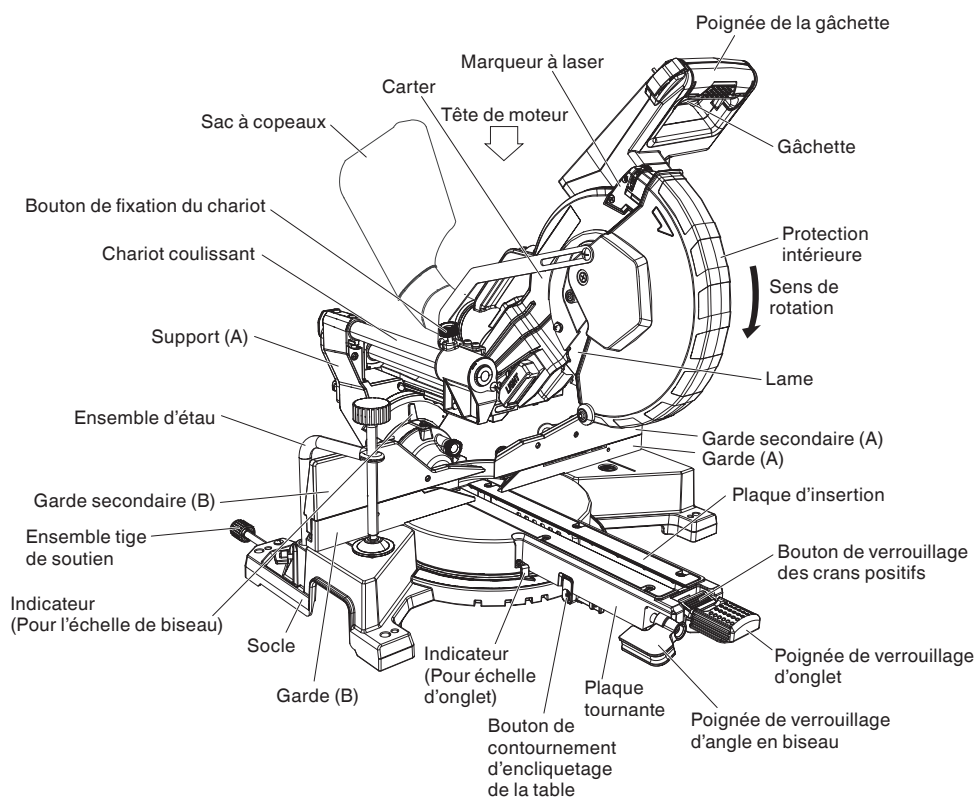


Fig. 1

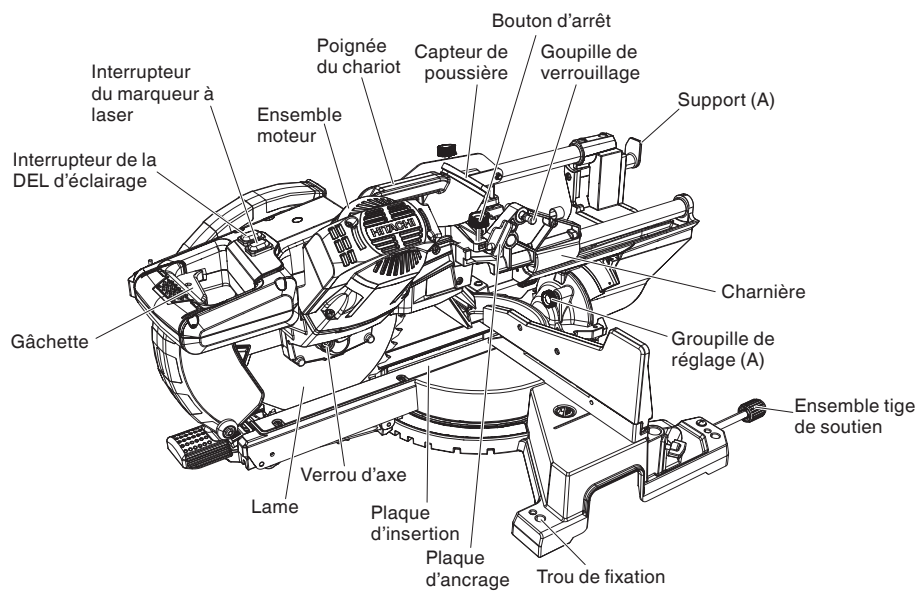


Fig. 2

SPÉCIFICATIONS

Article	Modèle		C 10FSHC	
Moteur	Type		Moteur à commutateur série	
	Alimentation		Courant alternatif monophasé 60 Hz	
	Tension (volts)		120	
	Courant à pleine charge (Amp)		15	
Marqueur laser	Puissance de sortie maximum		<5 mW, appareil laser de la Classe IIIa	
	Longueur d'onde		630 – 660 nm	
	Type de laser		Diode	
Lame applicable			Dia. extérieur 10" (255 mm) Dia. d'orifice 5/8" (15.9 mm)	
Vitesse à vide			3,200 tr/min	
Dimension de coupe max.		Tête	Plaque tournante	Dimension de coupe max.
	Coupe d'onglet	0	0	(Avec plaque d'ancrage) Hauteur max. 3-1/2" (89 mm) Largeur max. 11-1/2" (292 mm) (Sans plaque d'ancrage) Hauteur max. 2-1/2" (64 mm) Largeur max. 12-1/2" (318 mm)
		0	45° à gauche ou 45° à droite	(Avec plaque d'ancrage) Hauteur max. 3-1/2" (89 mm) Largeur max. 8" (204 mm) (Sans plaque d'ancrage) Hauteur max. 2-1/2" (64 mm) Largeur max. 8-3/4" (222 mm)
		0	55° à gauche	(Avec plaque d'ancrage) Hauteur max. 3-1/2" (89 mm) Largeur max. 6-7/8" (176 mm) (Sans plaque d'ancrage) Hauteur max. 2-1/2" (64 mm) Largeur max. 7-1/4" (182 mm)
		0	60° à droite	(Avec plaque d'ancrage) Hauteur max. 3-1/2" (89 mm) Largeur max. 5-3/4" (146 mm) (Sans plaque d'ancrage) Hauteur max. 2-1/2" (64 mm) Largeur max. 6-1/4" (158 mm)
	Coupe de biseau	45° à gauche	0	(Avec plaque d'ancrage) Hauteur max. 1-3/4" (45 mm) Largeur max. 11-1/2" (292 mm) (Sans plaque d'ancrage) Hauteur max. 1-5/8" (41 mm) Largeur max. 12-1/2" (318 mm)
		45° à droite	0	(Avec plaque d'ancrage) Hauteur max. 1" (25 mm) Largeur max. 11-1/2" (292 mm) (Sans plaque d'ancrage) Hauteur max. 3/4" (19 mm) Largeur max. 12-1/2" (318 mm)
	Coupe mixte	45° à gauche	45° à gauche ou 45° à droite	(Avec plaque d'ancrage) Hauteur max. 1-3/4" (45 mm) Largeur max. 8" (204 mm) (Sans plaque d'ancrage) Hauteur max. 1-5/8" (41 mm) Largeur max. 8-3/4" (222 mm)
		45° à droite	45° à gauche ou 45° à droite	(Avec plaque d'ancrage) Hauteur max. 1" (25 mm) Largeur max. 8" (204 mm) (Sans plaque d'ancrage) Hauteur max. 3/4" (19 mm) Largeur max. 8-3/4" (222 mm)
Plage de coupe d'onglet	0° – 55° à gauche 0° – 60° à droite			
Plage de coupe de biseau	0° – 48° à gauche 0° – 48° à droite			
Plage de coupe mixte	0° – 45° à gauche (biseau), 0° – 45° à gauche (onglet) 0° – 45° à droite (biseau), 0° – 45° à droite (onglet)			
Poids net	45.6 lbs. (20.7 kg)			
Cordon	Câble à 2 conducteurs de 6ft. (1.8 m)			

ACCESSOIRES

⚠ AVERTISSEMENT: Les accessoires pour cet outil électrique sont mentionnés dans ce mode d'emploi.

L'utilisation de tout autre attachement ou accessoire peut être dangereuse et peut causer des blessures ou des dommages mécaniques.

ACCESSOIRES STANDARD

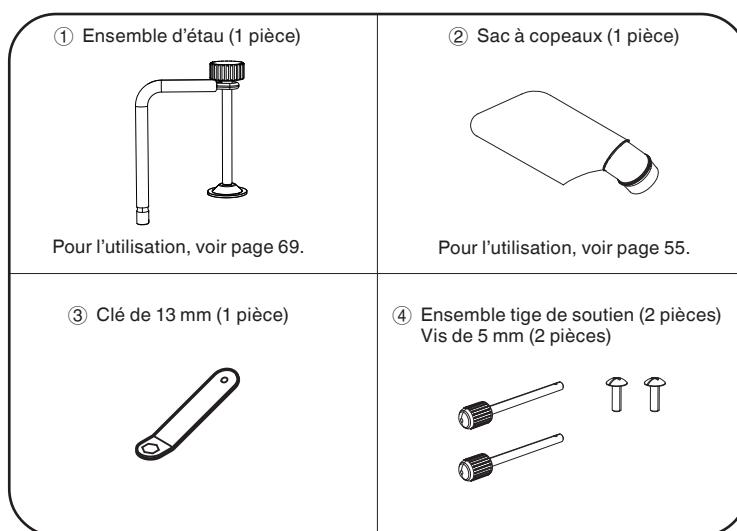


Fig. 3

REMARQUE: Les accessoires sont sujets à changement sans obligation de la part de HITACHI.

APPLICATIONS

Cadres en bois et en aluminium.

PRÉPARATION AVANT L'UTILISATION

Avant de mettre l'outil électrique en service, effectuer les préparations suivantes:

1. Retirer tous les matériaux d'emballage qui sont attachés ou connectés à l'outil avant d'essayer de le faire fonctionner.
2. Installation

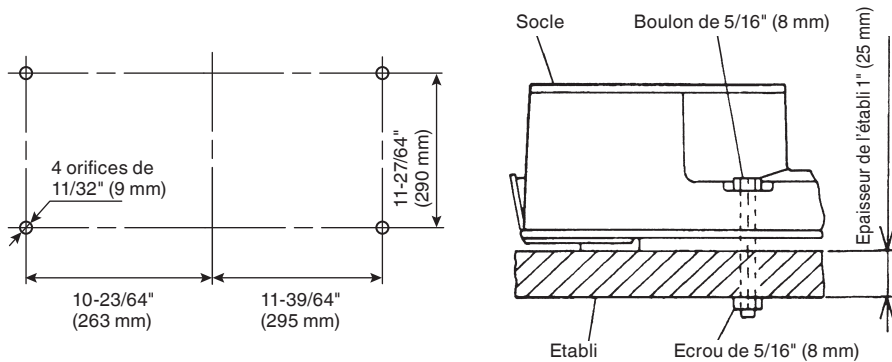


Fig. 4

Fixer l'outil électrique sur un établi horizontal et de niveau conformément à la Fig. 4.

Sélectionner des boulons d'un diamètre 5/16" (8 mm) dont la longueur convient pour l'épaisseur de l'établi.

La longueur des boulons devra être d'au moins 1-9/16" (40 mm) plus l'épaisseur de l'établi.

Par exemple, utiliser des boulons de 2-9/16" (65 mm) ou plus avec un établi de 1" (25 mm) d'épaisseur.

L'ensemble tige de soutien fixée à l'arrière du socle aide à stabiliser l'outil électrique.

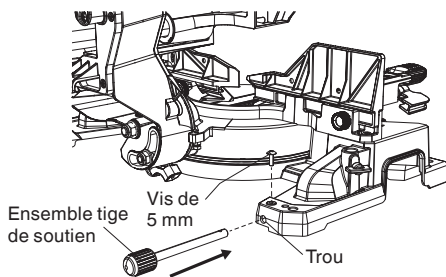


Fig. 5

Installation de l'ensemble tige de soutien

Insérer un ensemble tige de soutien dans le trou logé à l'arrière du socle et le pousser à fond.

Fileter la vis de 5 mm dans le trou à côté du trou de fixation.

Fermeement serrer la vis de 5 mm avec un tournevis.

Répéter les étapes ci-dessus pour installer l'autre ensemble tige de soutien.

3. Libérer la goupille de verrouillage

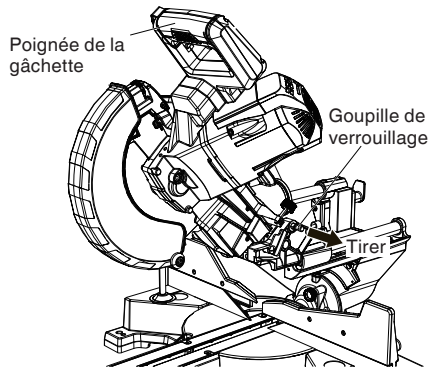


Fig. 6

Quand l'outil électrique quitte nos usines, ses pièces principales sont fixées à l'aide d'une goupille de verrouillage.

Enfoncer légèrement vers le bas la poignée et sortir la goupille de verrouillage pour débloquer la tête de coupe.

REMARQUE: La goupille de verrouillage se dégagera plus facilement et plus sûrement si l'on abaisse légèrement la poignée. La position verrouillée de la goupille de verrouillage ne doit servir que pour le transport et le remisage.

4. Installation du sac à copeaux et de l'étau

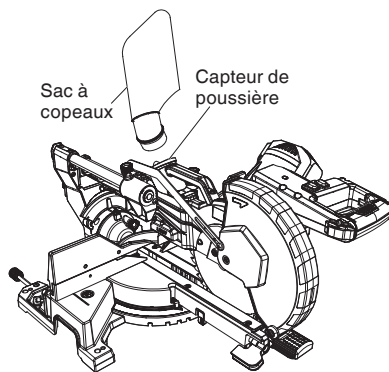


Fig. 7

Installer le sac à copeaux sur le capteur de poussière sur la scie à onglet. Connecter ensemble le tube de raccordement du sac à copeaux et le capteur de poussière.

Pour vider le sac à copeaux, sortir l'ensemble du sac à copeaux du capteur de poussière. Ouvrir la fermeture éclair sous le sac et vider dans la poubelle. **Inspecter fréquemment et vider le sac à copeaux avant qu'il ne soit plein.**

REMARQUE: Le sac à poussière devrait être incliné vers le côté droit de la scie pour de meilleurs résultats. Cela évitera aussi toute interférence pendant le fonctionnement de la scie.

⚠ PRECAUTION: Vider le sac à copeaux fréquemment pour éviter que le conduit et la protection intérieure ne soient bouchés.

Les copeaux s'accumulent plus rapidement lors d'une coupe de biseau.

⚠ AVERTISSEMENT: Ne pas utiliser cette scie pour couper et/ou poncer des métaux, car les copeaux chauds ou les étincelles pourraient enflammer la poussière de la scie du matériau du sac.

(Fixer l'ensemble d'étau comme illustré à la Fig. 1, Fig. 2 et Fig. 25.)

5. Rangement du cordon d'alimentation

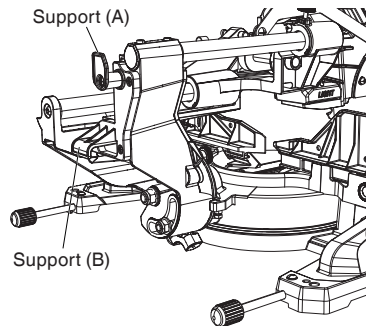


Fig. 8-a

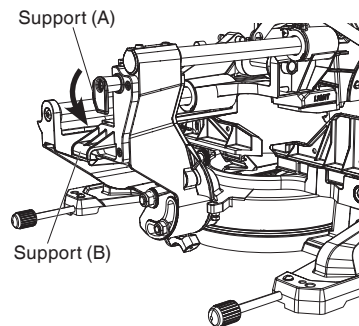


Fig. 8-b

Pour commodité et pour éviter les dommages au cordon d'alimentation quand la scie à onglet n'est pas utilisée ou est transportée, il y a deux supports sur le côté arrière du chariot coulissant pour bobiner le cordon. (Fig. 8-a)

REMARQUE: Pour libérer rapidement le cordon d'alimentation, tourner le support supérieur (A) de 180°. Il libèrera le cordon. (Fig. 8-b)

AVANT L'UTILISATION

1. S'assurer que la source d'alimentation convient pour l'outil.

⚠ AVERTISSEMENT: Ne jamais raccorder l'outil électrique si l'alimentation secteur n'est pas de la tension spécifiée sur la plaque signalétique de l'outil.
Ne jamais raccorder l'outil à une source de courant continu.

2. Vérifier que la gâchette est sur OFF.

⚠ AVERTISSEMENT: Si l'on raccorde le cordon d'alimentation alors que la gâchette est enclenchée, l'outil se mettra brusquement en marche, ce qui peut provoquer un grave accident.

3. Vérifier s'il y a des défauts visibles sur la lame.
S'assurer qu'il n'y a ni fissures ni dommages visibles sur la lame.
4. Vérifier que la lame est solidement fixée sur l'outil électrique.
A l'aide de la clé de 13 mm, serrer le boulon de 8 mm de l'axe de la lame pour fixer la lame.
Pour les détails, voir Fig. 44-a, Fig. 44-b, Fig. 44-c et Fig. 44-d dans la section "INSTALLATION ET RETRAIT DE LA LAME".

5. Vérifier que la protection inférieure fonctionne correctement.

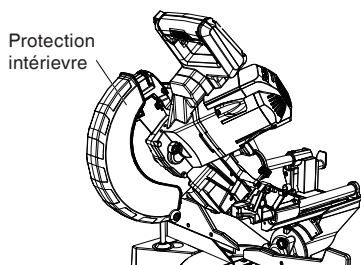


Fig. 9

La protection inférieure a pour but de protéger l'opérateur contre tout contact avec la lame de scie pendant le fonctionnement de l'outil.

Toujours vérifier que la protection inférieure se déplace en douceur et qu'elle recouvre la lame de scie.

⚠ AVERTISSEMENT: NE JAMAIS FAIRE FONCTIONNER L'OUTIL ÉLECTRIQUE si le protection inférieure ne se déplace pas en souplesse.

6. Vérifier la position du verrou d'axe avant d'utiliser l'outil.
Après avoir installé la lame de scie, vérifier que le verrou d'axe est revenu sur sa position libérée avant d'utiliser l'outil électrique (voir Fig. 2).
7. Vérifier la prise d'alimentation.
Pour éviter toute surchauffe, arrêt accidentel ou fonctionnement intermittent, vérifier que la fiche du cordon d'alimentation rentre à fond dans la prise secteur et qu'elle ne ressort pas après l'insertion. Réparer ou remplacer la fiche si elle est défectueuse.
8. Vérifier que le cordon d'alimentation de l'outil n'est pas endommagé.
Réparer ou remplacer le cordon si l'on constate un dommage.
9. Lunette de protection
Toujours porter des lunettes de protection avec protections latérales qui répondent aux exigences de la norme ANSI Z87.1. Les lunettes ordinaires n'assurent pas une protection suffisante parce que les verres ne sont pas faits en verre de sécurité résistants aux chocs.

⚠ AVERTISSEMENT: Utiliser l'outil sans porter des lunettes de protection peut entraîner des blessures graves.

10. Frein électrique
Cet outil est équipé d'un frein électrique qui arrêtera généralement la lame 5 secondes après que la gâchette soit relâchée.
De temps en temps, il y aura un décalage entre le moment où le frein est engagé et l'arrêt complet de la lame qui se traduira éventuellement par un plus long temps d'arrêt. En de rares occasions, le frein pourrait ne pas s'engager du tout et la lame de la scie continuera alors à tourner encore et ce jusqu'à son arrêt.
Si le frein ne parvient pas à s'engager à maintes reprises, appuyer et relâcher la gâchette pour activer et désactiver l'outil 4 ou 5 fois. Si le frein ne s'engage toujours pas, faire réparer l'outil dans un centre de réparation agréé Hitachi.
Toujours s'assurer que la lame de la scie s'est complètement arrêtée avant de la soulever de la machine.

Le frein ne remplace pas la protection intérieure si elle fonctionne correctement. Contrôler le fonctionnement de la protection intérieure avant chaque utilisation. Il y a un risque de blessures graves si la protection inférieure ne se déplace pas sans accroc et couvre la lame correctement.

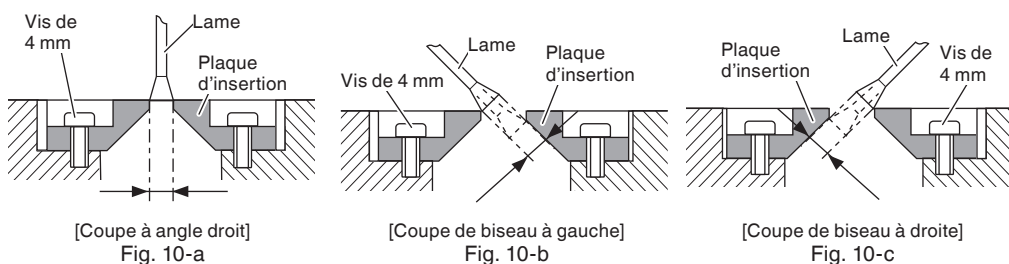
⚠ AVERTISSEMENT: Faire attention à la réactivité de la tête de moteur (Fig.1), lorsque le frein est activé. Le freinage provoque un mouvement brusque vers le bas de la tête de moteur et l'utilisateur doit s'attendre à cette réaction, surtout lorsque la gâchette est relâchée avant que la lame soit complètement rentrée. À défaut de se familiariser avec cela, et d'y être préparé, les caractéristiques de fonctionnement de l'outil peuvent provoquer des blessures graves.

APRÈS AVOIR BRANCHÉ LA FICHE D'ALIMENTATION DANS UNE SOURCE D'ALIMENTATION APPROPRIÉE, VÉRIFIER LE FONCTIONNEMENT DE L'OUTIL COMME SUIT :

11. Marche d'essai
Après avoir vérifié qu'il n'y a personne derrière, mettre l'outil électrique en marche et vérifier qu'il n'y a pas d'anomalie de fonctionnement avant d'effectuer une coupe.
12. Vérifier la stabilité de rotation de la lame.
Pour assurer des coupes précises, faire tourner la lame et vérifier qu'il n'y a pas de flèche pour s'assurer que la lame ne présente pas d'instabilité évidente ; sinon, cela risque de provoquer des vibrations et un accident.

AVANT LA COUPE

1. Installation de la plaque d'insertion



Les plaques d'insertion s'installent sur la plaque tournante. Quand l'outil quitte nos usines, les plaques d'insertion sont fixées de façon que la lame n'entre pas en contact avec. Les ébarbures sur le fond de la pièce seront considérablement réduites si la plaque d'insertion est fixée de façon que l'écart entre la surface latérale de la plaque d'insertion et la lame soit minimal. Avant d'utiliser l'outil, supprimer cet écart en procédant comme suit.

(1) Coupe à angle droit

Desserrer les trois vis de 4 mm, puis mettre la plaque d'insertion de gauche et fixer provisoirement les vis de 4 mm aux deux extrémités. Puis, fixer une pièce d'environ 7-7/8" (200 mm) avec l'ensemble d'étau et la couper. Aligner la surface de coupe sur le bord de la plaque d'insertion, et visser solidement les vis de 4 mm aux deux extrémités. Retirer la pièce et visser solidement la vis centrale de 4 mm. Régler la plaque d'insertion de droite de la même manière.

(2) Coupe de biseau à gauche et à droite

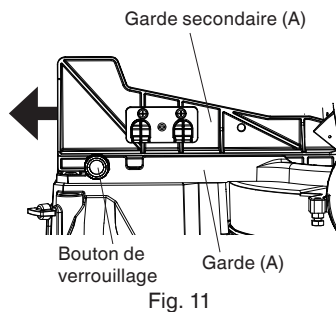
Régler la plaque d'insertion comme indiqué à la Fig. 10-b et Fig. 10-c en procédant comme pour la coupe à angle droit.

⚠ PRECAUTION: Après avoir réglé la plaque d'insertion pour la coupe à angle droit, la plaque d'insertion sera légèrement coupée si on l'utilise pour des coupes de biseau.

Pour effectuer une coupe de biseau, régler la plaque d'insertion pour une coupe à angle de biseau.

2. Utilisation de la garde secondaire (A)

⚠ AVERTISSEMENT: La garde secondaire (A) doit être déployée pour toute coupe en biseau en angle droit. Ne pas déployer la garde secondaire (A) ne permettra pas assez d'espace pour que la lame passe à travers, ce qui pourrait causer de graves blessures. À des angles d'onglet ou de biseau extrêmes, la lame de scie pourrait aussi entrer en contact avec la garde.



Cet outil électrique est équipé d'une garde secondaire (A). Dans le cas d'une coupe droite ou d'une coupe en biseau à gauche, utiliser la garde secondaire (A). Dans ces conditions, il est possible d'effectuer une coupe stable du matériau avec une face arrière large.

Pour une coupe en angle droit, desserrer le bouton de verrouillage, puis faire glisser la garde secondaire (A) vers l'extérieur, comme illustré à la Fig. 11.

Lorsqu'on fait glisser la garde secondaire (A) vers l'extérieur, si un espace suffisant ne peut pas être assuré ou si la garde secondaire (A) entre en contact avec les autres pièces de

l'outil dont le moteur, complètement retirer la garde secondaire (A) de la garde (A). De plus, s'assurer de retirer le bouton de verrouillage de la garde (A).

REMARQUE: Lors du transport de la scie, toujours sécuriser la garde secondaire (A) sur la position repliée et la verrouiller.

3. Utilisation de la garde secondaire (B)

⚠ AVERTISSEMENT: La garde secondaire (B) doit être déployée pour toute coupe en biseau en angle gauche. Ne pas déployer la garde secondaire (B) ne permettra pas assez d'espace pour que la lame passe à travers, ce qui pourrait causer de graves blessures. À des angles d'onglet ou de biseau extrêmes, la lame de scie pourrait aussi entrer en contact avec la garde.

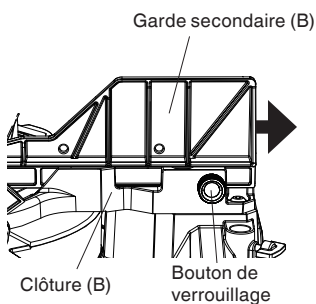


Fig. 12

Cet outil électrique est équipé d'une garde secondaire (B). Dans le cas d'une coupe à angle direct et d'une coupe en biseau à droite, utiliser la garde secondaire (B). On pourra ensuite exécuter une coupe stable du matériau avec une large face arrière. Pour une coupe en angle gauche, desserrer le bouton de verrouillage, puis faire glisser la garde secondaire (B) vers l'extérieur, comme illustré à la Fig. 12.

Lorsqu'on fait glisser la garde secondaire (B) vers l'extérieur, si un espace suffisant ne peut pas être assuré ou si la garde secondaire (B) entre en contact avec les autres pièces de l'outil dont le moteur, complètement retirer la garde secondaire (B) de la garde (B).

REMARQUE: Lors du transport de la scie, toujours sécuriser la garde secondaire (B) sur la position repliée et la verrouiller.

4. Fixation de la pièce

⚠ AVERTISSEMENT: Toujours utiliser un dispositif de fixation ou l'étau pour fixer la pièce à la garde ; sinon, la pièce risque d'être éjectée de la table et de blesser quelqu'un.

5. Dispositif de chariot coulissant

⚠ AVERTISSEMENT: Pour éviter tout risque de blessure, toujours ramener le chariot coulissant complètement vers l'arrière après chaque coupe en travers.

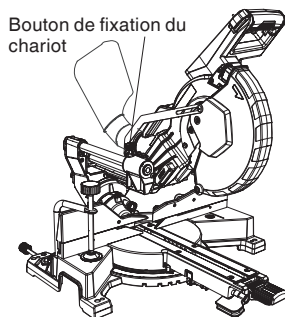


Fig. 13

6. Fonctionnement du levier de verrouillage par came rapide

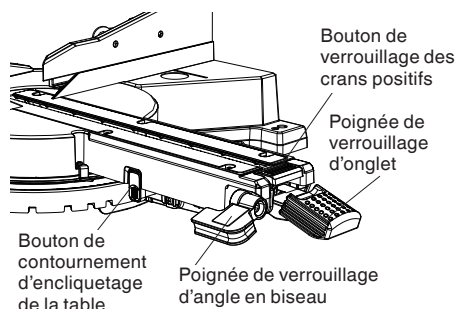


Fig. 14

Si les angles d'onglet requis ne sont PAS l'un des neuf crans positifs, la table de scie à onglet peut être verrouillée à n'importe quel angle entre ces crans positifs au moyen du bouton de verrouillage des crans positifs et de la poignée de verrouillage d'onglet.

Déverrouiller la table de scie à onglet en soulevant la poignée de verrouillage d'onglet, saisir la poignée et appuyer sur le bouton de verrouillage des crans positifs pour déplacer la table sur l'angle désiré, puis relâcher le bouton. Enfoncer la poignée de verrouillage d'onglet pour verrouiller la table en position.

7. Bouton de contournement d'encliquetage de la table (Fig. 14)

Ce bouton permet de régler avec une grande précision la table et de déverrouiller la fonction d'arrêt d'encliquetage à contact positif. Quand un angle d'onglet requis est proche d'un arrêt d'encliquetage à contact positif, ce contournement empêche la cale sur le bras de la scie à onglet de glisser dans la fente du cran sur le socle.

- (1) Déverrouiller la table en soulevant la poignée de verrouillage d'onglet.
- (2) Enfoncer le bouton de verrouillage des crans positifs et appuyer sur le bouton de contournement d'encliquetage de la table, puis libérer le bouton de verrouillage des crans positifs tout en enfonçant le bouton de contournement d'encliquetage de la table. Le contournement d'encliquetage est maintenant activé.
- (3) Tourner la table à l'angle désirée, sécuriser la table à l'angle désiré en appuyant sur la poignée de verrouillage d'onglet.
- (4) Pour désactiver le bouton de contournement d'encliquetage de la table, enfoncer à nouveau le bouton de verrouillage des crans positifs.

8. Réglage de l'angle en biseau 90° (0°)

⚠ AVERTISSEMENT: Pour assurer des coupes précises, l'alignement devrait être inspecté et les ajustements faits avant utilisation.

- (1) Desserrer la poignée de verrouillage d'angle en biseau en la soulevant et en inclinant le bras de coupe tout en poussant la goupille de réglage (A) contre la butée de l'angle en biseau 0°. Se reporter aux Fig. 15-a et 15-b. Serrer la poignée de verrouillage d'angle en biseau.
- (2) Placer une équerre combinée sur la table de scie à onglet avec la règle contre la table et le coin de l'équerre contre la lame de scie comme illustré à la Fig. 15-a.
- (3) Si la lame n'est pas à 0° par rapport à la table de scie à onglet, desserrer les trois boulons de réglage à l'arrière de l'appareil avec une clé hexagonale de 4 mm. Se reporter à la Fig. 15-c. Déverrouiller la poignée de verrouillage d'angle en biseau et ajuster le bras de coupe à zéro degré par rapport à la table. Après obtention de l'alignement, serrer les trois boulons de réglage et enfoncer la poignée de verrouillage d'angle en biseau pour sécuriser la tête de coupe.

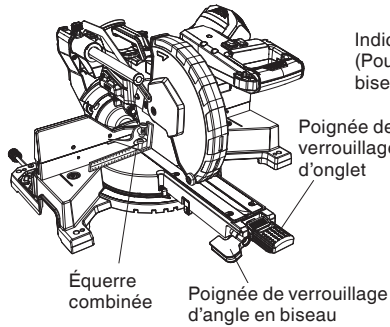


Fig. 15-a

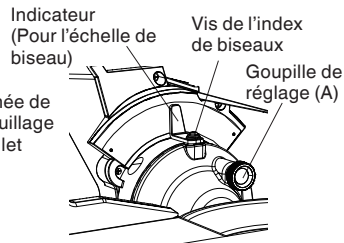


Fig. 15-b



Fig. 15-c

9. Réglage de l'indicateur 90° (pour échelle de biseau) (Fig. 15-b)

- (1) Quand la lame est exactement à 90° (0°) par rapport à la table, desserrer la vis de l'index de biseaux avec un tournevis Phillips #2.
- (2) Ajuster l'indicateur sur la marque « 0 » sur l'échelle de biseau et resserrer la vis.

10. Réglage de l'angle en biseau gauche 45°

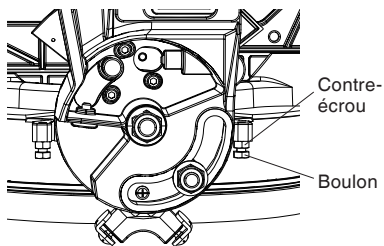


Fig. 16

- (1) Complètement déployer la garde secondaire (B) vers la gauche, puis tirer la goupille de réglage (A) vers l'avant de la machine.

REMARQUE: Quand la goupille de réglage (A) est rentrée, il peut être nécessaire de décaler l'ensemble du bras supérieur de la scie à onglet vers la gauche/droite pour libérer la pression de maintien.

- (2) Desserrer la poignée de verrouillage d'angle en biseau et incliner complètement vers la gauche le carter.
- (3) Au moyen d'une équerre combinée, confirmer si la lame est 45° par rapport à la table.
- (4) Pour ajuster, incliner le carter à 0°, desserrer le contre-écrou et tourner le boulon vers l'intérieur ou l'extérieur pour augmenter ou diminuer l'angle comme illustré sur la Fig. 16.
- (5) Incliner le carter en arrière vers la gauche et reconfirmer l'alignement.
- (6) Répéter les étapes jusqu'à ce que la lame soit à 45° par rapport à la table. Une fois l'alignement obtenu, serrer le contre-écrou et la poignée de verrouillage d'angle en biseau.

11. Réglage de l'angle en biseau droit 45°

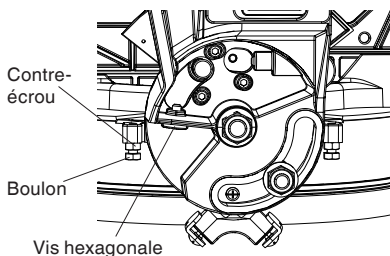


Fig. 17

- (1) Régler l'angle d'onglet sur 0°. Complètement déployer la garde secondaire (B) vers la droite, puis tirer la goupille de réglage (A) vers l'avant de la machine.

REMARQUE: Quand la goupille de réglage (A) est rentrée, il peut être nécessaire de décaler l'ensemble du bras supérieur de la scie à onglet vers la gauche/droite pour libérer la pression de maintien.

- (2) Desserrer la poignée de verrouillage d'angle en biseau et incliner complètement vers la droite le carter.
- (3) Au moyen d'une équerre combinée, confirmer si la lame est 45° par rapport à la table.
- (4) Pour ajuster, incliner le carter à 0°, desserrer le contre-écrou et tourner le boulon vers l'intérieur ou l'extérieur pour augmenter ou diminuer l'angle comme illustré sur la Fig. 17.
- (5) Incliner le bras de coupe en arrière vers la droite et reconfirmer l'alignement.
- (6) Répéter les étapes jusqu'à ce que la lame soit à 45° par rapport à la table. Une fois l'alignement obtenu, serrer le contre-écrou et la poignée de verrouillage d'angle en biseau.

12. Réglage de l'angle en biseau gauche et droit 33.9°

- (1) Régler l'angle d'onglet sur 0°. Complètement déployer les gardes secondaires (A, B).
- (2) Desserrer la poignée de verrouillage d'angle en biseau et incliner le carter sur le cran positif d'angle en biseau droit de 33.9° en poussant la goupille de réglage (A) vers l'arrière de la machine.
- (3) Au moyen d'une équerre combinée, confirmer si la lame est 33.9° par rapport à la table.
- (4) Pour ajuster, tourner la vis hexagonale vers l'intérieur ou l'extérieur avec une clé de 3 mm jusqu'à ce que la lame soit à 33.9° par rapport à la table.
- (5) Répéter les étapes ci-dessus et tourner la vis hexagonale pour le réglage de l'angle en biseau gauche de 33.9°.

13. Réglage de l'angle d'onglet

L'échelle de la scie à coupe d'onglet radiale peut être facilement lue, indiquant les angles d'onglet de 0° à 48° vers la gauche et la droite. La table de la scie à onglet comporte neuf des réglages d'angle les plus courants avec des crans positifs à 0°, 15°, 22.5°, 31.6° et 45°. Ces crans positifs positionnent la lame à l'angle désirée rapidement et précisément. Suivre la procédure ci-dessous pour les réglages les plus rapides et les plus précis.

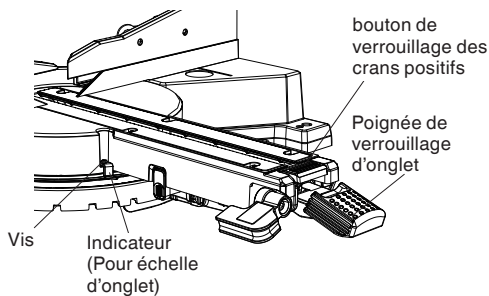


Fig. 18

Réglage des angles d'onglet :

- (1) Soulever la poignée de verrouillage d'onglet pour déverrouiller la table.
- (2) Déplacer la table tout en enfonçant le bouton de verrouillage des crans positifs pour aligner l'index sur la mesure de degré désirée.
- (3) Verrouiller la table sur la position en enfonçant la poignée de verrouillage d'onglet.

Réglage de l'indicateur (Pour échelle d'onglet):

- (1) Déplacer la table sur le cran positif 0°.
- (2) Desserrer la vis qui retient l'indicateur (Pour échelle d'onglet) avec un tournevis Phillips.
- (3) Régler l'index sur la marque 0° et resserrer la vis.

14. Réglage de la profondeur de coupe

La course en profondeur maximum de la tête de coupe a été réglée en usine.

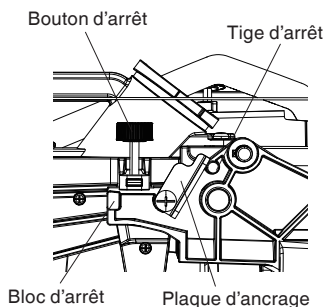


Fig. 19-a

- (1) Pour régler la course en largeur maximum de la tête de coupe, suivre les étapes ci-dessous : (Fig. 19-a)
 Tourner le bouton d'arrêt dans le sens anti-horaire jusqu'à ce qu'il ne dépasse plus du bloc d'arrêt tout en déplaçant la tête de coupe vers le haut.
 Tourner la plaque d'ancrage dans le sens horaire pour toucher la tige d'arrêt.
 Reconfirmer la profondeur de la lame en déplaçant la tête de coupe d'avant en arrière sur l'ensemble du mouvement complet d'une coupe typique le long du bras de commande.

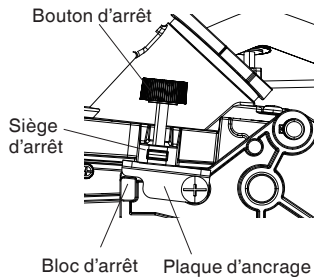


Fig. 19-b

- (2) Pour régler la course en hauteur maximum de la tête de coupe, suivre les étapes ci-dessous : (Fig. 19-b)
 Tourner le bouton d'arrêt dans le sens anti-horaire jusqu'à ce qu'il ne dépasse plus du bloc d'arrêt tout en déplaçant la tête de coupe vers le haut.
 Tourner la plaque d'ancrage dans le sens anti-horaire pour toucher le siège d'arrêt.
 S'assurer que le bloc d'arrêt touche complètement la plaque d'ancrage.

15. Réglage de la profondeur de coupe (Fig. 19-b)

La profondeur de coupe peut être préréglée pour les coupes peu profondes égales et répétitives

- (1) Régler la tête de coupe vers le bas jusqu'à ce que les dents de la lame soient à la profondeur désirée.
- (2) Tout en tenant le bras supérieur à cette position, tourner le bouton d'arrêt jusqu'à ce qu'il touche la plaque d'ancrage.
- (3) Reconfirmer la profondeur de la lame en déplaçant la tête de coupe d'avant en arrière sur l'ensemble du mouvement complet d'une coupe typique le long du bras de commande.

REMARQUE: Si la plaque d'ancrage devient lâche, elle peut interférer avec le soulèvement et l'abaissement de la tête de coupe. La plaque d'ancrage doit être serrée en position horizontale comme illustré sur la Fig. 19-b.

16. Le guide laser

⚠ AVERTISSEMENT: * Par mesure de sécurité, ne jamais brancher la fiche dans la prise de la source d'alimentation tant que les étapes de réglage ne sont pas terminées et que les consignes de sécurité et les instructions de fonctionnement n'ont pas été lues et comprises.

* Votre outil est équipé d'un guide laser de classe IIIa. Le guide laser permet de prévisualiser le chemin de la lame de scie sur la pièce à couper avant de démarrer la scie à onglet. Ce guide laser est alimenté par l'alimentation en courant alternatif transformé directement par l'entremise du câble d'alimentation. La scie doit être connectée à la source d'alimentation et l'interrupteur de marche/arrêt du laser doit être placé sur marche pour que le rayon laser apparaisse.

- (1) Éviter le contact direct avec les yeux.

⚠ AVERTISSEMENT: * Radiation laser quand le guide laser est allumé. Éviter le contact direct avec les yeux.

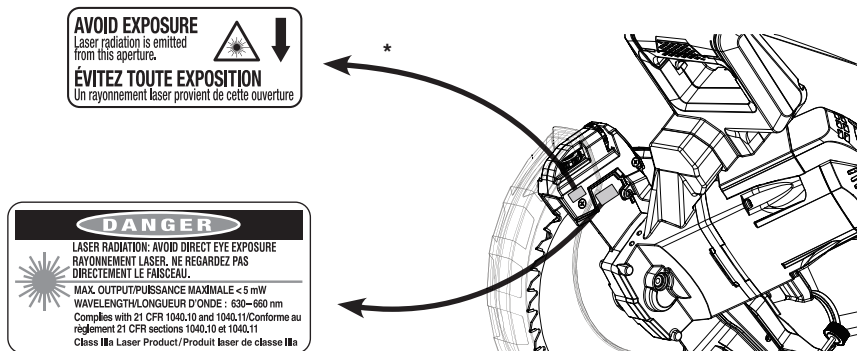


Fig. 20

⚠ PRECAUTION: * L'utilisation de commandes ou réglages ou l'exécution de procédures peut causer une exposition dangereuse aux radiations.

* L'utilisation d'instruments optiques avec ce produit augmentera les risques pour les yeux.

⚠ AVERTISSEMENT: Ne pas essayer de réparer ou démonter le laser. Si une personne non qualifiée tente de réparer ce produit laser, de graves blessures peuvent se produire. Toute réparation requise sur ce produit laser devrait être exécutée par un détaillant de service qualifié.

- (2) Vérification de l'alignement du rayon laser

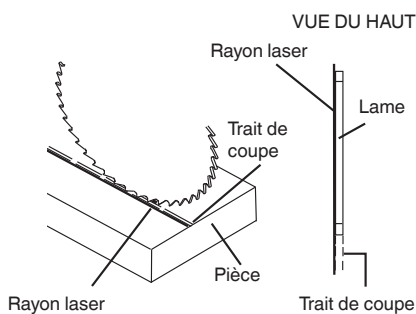


Fig. 21

- Régler la scie à un angle d'onglet de 0° et un angle de biseau de 0°.
- Utiliser une équerre combinée pour marquer un angle de 90° courant du haut en bas de l'avant d'une planche. Cette ligne servira de référence pour ajuster le laser. Placer la planche sur la table d'appui.
- Abaisser soigneusement la tête de scie pour aligner la lame de scie avec la ligne de référence. Positionner la lame de scie sur la gauche de la ligne de référence selon vos préférences d'emplacement du rayon laser. Verrouiller la planche en place avec le serre-flan.
- Avec la scie branchée, allumer le guide laser. Votre scie a été pré-réglée avec le rayon laser sur le côté gauche de la lame.

⚠ AVERTISSEMENT: Lors des réglages du rayon laser, éloigner les doigts de la gâchette ON/OFF pour prévenir le démarrage involontaire et une possible blessure grave.

- (e) Faire glisser la tête de coupe vers l'avant suffisamment pour que le rayon laser soit visible sur l'avant de la planche.
- (f) En regardant sur l'avant de la planche, si le rayon laser n'est pas parallèle à la ligne de référence, suivre les instructions listées sous le paragraphe « Ligne avant ».
- (g) En regardant sur le haut de la planche, si le rayon laser n'est pas parallèle à la ligne de référence, suivre les instructions listées sous le paragraphe « Ligne du haut ».

REMARQUE: Si la ligne laser est invisible à l'avant d'une planche, abaisser la tête de coupe jusqu'à ce qu'elle soit visible.

(3) Réglage de la position du rayon laser

Ligne avant

Si le rayon laser est incliné par rapport à la ligne de référence du côté avant, tourner le bouton de réglage vertical du laser pour aligner le rayon laser parallèlement à la ligne de référence. (Fig. 22- b)

Ligne du haut

Si le rayon laser est incliné par rapport à la ligne de référence du côté supérieur, tourner le bouton de réglage horizontal du laser pour aligner le rayon laser parallèlement à la ligne de référence. (Fig. 22- c)

REMARQUE: Lors du réglage de la ligne avant et de la ligne du haut, trop tourner le bouton de réglage causera la réflexion du laser sur la lame de scie produisant deux rayons laser.

REMARQUE: Après avoir effectué les réglages ci-dessus, confirmer visuellement que les deux rayons laser avant et en haut sont parallèles avec la ligne de référence.

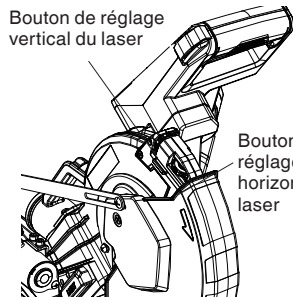


Fig. 22-a

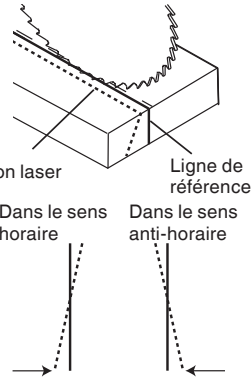


Fig. 22-b

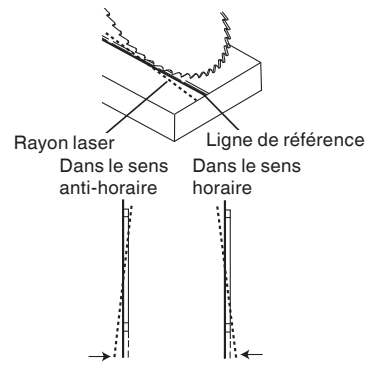


Fig. 22-c

APPLICATIONS PRATIQUES

- ⚠ AVERTISSEMENT:** * Pour éviter tout risque de blessure, ne jamais retirer ni installer la pièce sur la table pendant que l'outil fonctionne.
* Ne jamais amener les membres à l'intérieur de la ligne à côté du signe d'avertissement pendant que l'outil fonctionne. Cela pourrait être dangereux (voir Fig. 23).

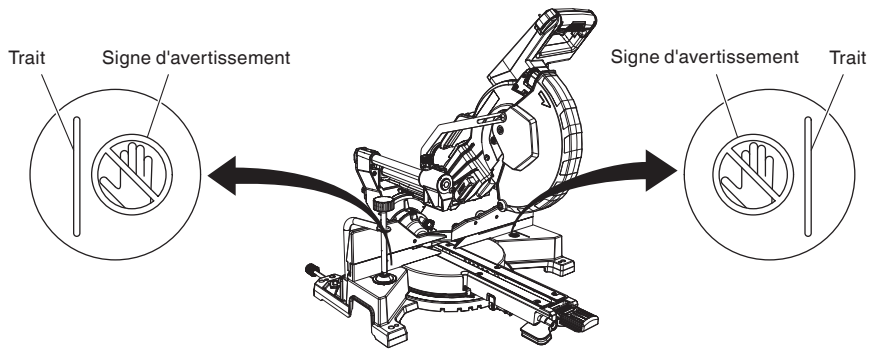


Fig. 23

1. Fonctionnement de l'interrupteur

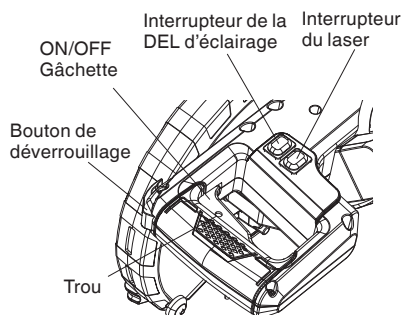


Fig. 24

- (1) Mise en marche de la scie
Cette scie à onglet est équipée d'une gâchette ON/OFF (2). Avec le bouton de déverrouillage enfoncé, presser la gâchette pour mettre en marche la scie à onglet. Relâcher la gâchette pour arrêter la scie.
- (2) Allumage du guide laser/de la DEL d'éclairage
Appuyer sur l'interrupteur du laser pour l'allumer et rappuyer pour l'éteindre.
Appuyer sur l'interrupteur de la DEL d'éclairage pour l'allumer et rappuyer pour l'éteindre.

⚠ AVERTISSEMENT: Rendre l'interrupteur ON/OFF à l'épreuve des enfants. Insérer un cadenas ou une chaîne avec cadenas par le trou sur la gâchette et verrouiller l'interrupteur de l'outil empêchant les enfants et d'autres utilisateurs non qualifiés de mettre la machine en marche.

2. Utilisation de l'ensemble d'étau (Accessoire standard)

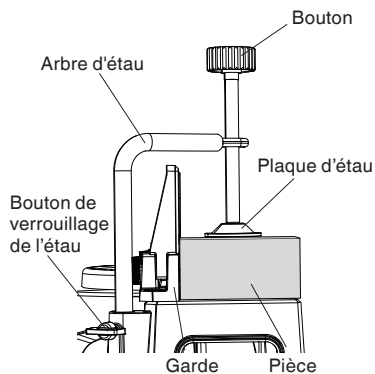


Fig. 25

- (1) L'étau d'assemblage peut être monté sur la base.
- (2) Tourner le bouton supérieur et fixer solidement la pièce en place (Fig. 25).

⚠ AVERTISSEMENT: Toujours utiliser un dispositif de fixation ou l'étau pour fixer solidement la pièce à la garde ; sinon, la pièce risque d'être éjectée de la table et de blesser quelqu'un.

3. Coupe

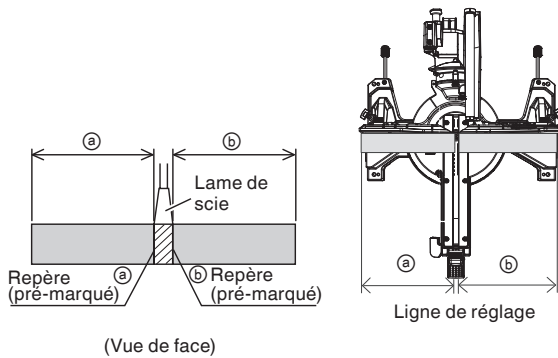


Fig. 26

(1) Comme indiqué à la Fig. 26, la largeur de la lame est la largeur de coupe. En conséquence, glisser la pièce vers la droite (vue de la position de l'opérateur) pour obtenir la longueur \textcircled{b} , et sur la gauche pour obtenir la longueur \textcircled{a} .
Si le marqueur laser est utilisé, aligner la ligne laser sur le côté gauche de la lame de scie, puis aligner la ligne tracée à l'encre sur la ligne laser.

(2) Quand la lame a atteint sa vitesse maximale, abaisser doucement la poignée jusqu'à ce que la lame approche de la pièce.

(3) Quand la lame touche la pièce, appuyer progressivement sur la poignée pour couper la pièce.

(4) Quand la pièce est coupée à la longueur voulue, mettre l'outil électrique hors tension et attendre que la lame soit complètement arrêtée avant de relever la poignée en position complètement rentrée.

⚠ PRECAUTION: Une pression accrue sur la poignée n'augmentera pas la vitesse de coupe.
Au contraire, une pression excessive risque de surcharger le moteur et/ou de réduire le rendement.

⚠ AVERTISSEMENT:

- * Vérifier que l'interrupteur à gâchette est coupé (OFF) et que la fiche d'alimentation est débranchée de la prise secteur quand on ne se sert pas de l'outil.
- * Couper l'alimentation et attendre que la lame de scie soit complètement arrêtée avant de soulever la poignée de la pièce.
Si la poignée de la pièce est soulevée alors que la lame de scie tourne encore, le morceau coupé peut se bloquer contre la lame et des fragments peuvent être projetés dangereusement.
- * Chaque fois qu'une opération de coupe normale ou profonde est terminée, mettre le gâchette sur la position d'arrêt et s'assurer que la lame de scie est arrêtée. Cela fait, soulever la poignée et la replacer dans la position de retrait total.
- * Ne pas oublier de retirer les morceaux coupés de dessus la plaque tournante avant de procéder à l'opération suivante.

* La coupe continue peut conduire à une surcharge du moteur. Toucher le moteur et s'il est chaud, arrêter votre coupe tout de suite et laisser reposer pendant 10 minutes ou plus, puis reprendre votre coupe.

4. Coupe de pièces larges (Coupe avec chariot)

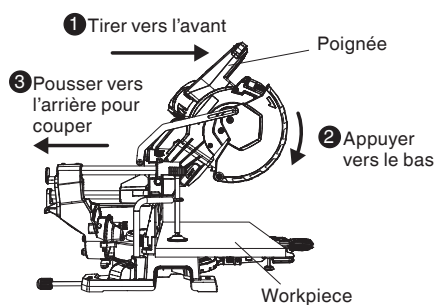


Fig. 27

- (1) Pièces d'une hauteur allant jusqu'à 3-1/2" (89 mm) et d'une largeur allant jusqu'à 11-1/2" (292 mm):

Desserrer le bouton (A) de fixation de glissière et incliner la lame vers l'avant (Voir Fig. 1).

Puis enfoncer la poignée et faire glisser la lame de scie en arrière pour couper la pièce comme indiqué à la Fig. 27. Cela facilitera la coupe des pièces d'une hauteur allant jusqu'à 3-1/2" (89 mm) et d'une largeur allant jusqu'à 11-1/2" (292 mm).

- (2) Pièces d'une hauteur allant jusqu'à 2-1/2" (64 mm) et d'une largeur allant jusqu'à 12-1/2" (318 mm):

Les pièces allant jusqu'à 2-1/2" (64 mm) de hauteur et 12-1/2" (318 mm) de largeur peuvent être coupées de la même manière que décrit au paragraphe 4-(1) ci-dessus à la page 71.

⚠ PRECAUTION: * Si l'on appuie trop fort ou de biais sur la poignée, la lame risque de vibrer pendant la coupe, ce qui laissera des marques de coupe peu esthétiques sur la pièce et réduira la qualité de coupe.

On abaissera donc la poignée doucement et avec soin.

* Lors d'une coupe avec chariot, ramener délicatement la poignée (vers l'arrière) d'un mouvement régulier et ininterrompu.

Le fait d'arrêter la poignée pendant la coupe laissera des marques de coupe peu esthétiques sur la pièce.

⚠ AVERTISSEMENT: * Lors d'une coupe avec chariot, procéder comme indiqué à la Fig. 27.

Une coupe avec chariot vers l'avant (vers l'opérateur) serait très dangereuse car la lame pourrait effectuer un retour vers le haut. En conséquence, toujours déplacer la poignée loin de l'opérateur.

* Toujours ramener le chariot complètement vers l'arrière après chaque coupe en travers de façon à réduire tout risque de blessure.

* Ne jamais mettre la main sur la poignée latérale pendant une coupe, car la lame vient tout près de la poignée de verrouillage d'onglet lorsque la tête du moteur est abaissée.

5. Procédures de coupe en biseau

⚠ AVERTISSEMENT: Les gardes secondaires doivent être déployées pour toute coupe en biseau. Ne pas déployer les gardes secondaires ne permettra pas assez d'espace pour que la lame passe à travers, ce qui pourrait causer de graves blessures. À des angles d'onglet ou de biseau extrêmes, la lame de scie pourrait aussi entrer en contact avec la garde.

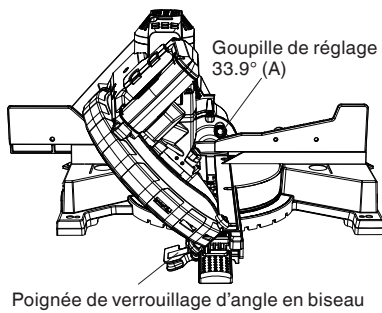


Fig. 28

- (1) Si une coupe en biseau est requise, desserrer la poignée de verrouillage d'angle en biseau.
- (2) Incliner la tête de coupe à l'angle désiré tout en tirant sur la goupille de réglage (A), comme illustré sur l'échelle de biseau.
- (3) La lame peut être positionnée à tout angle, d'une coupe droite à 90° (0° sur l'échelle) à 45°. Serrer la poignée de verrouillage d'angle en biseau pour verrouiller la tête de coupe sur la position. Des crans positifs sont fournis à 0°, 33.9° et 45°.

REMARQUE: La scie inclut une goupille de réglage 33.9° (A) pour régler des coupes de moulure de corniche quand l'angle des murs est égal à 90°.

- (4) Allumer le guide laser et positionner la pièce sur la table pour le préalignement de votre coupe.

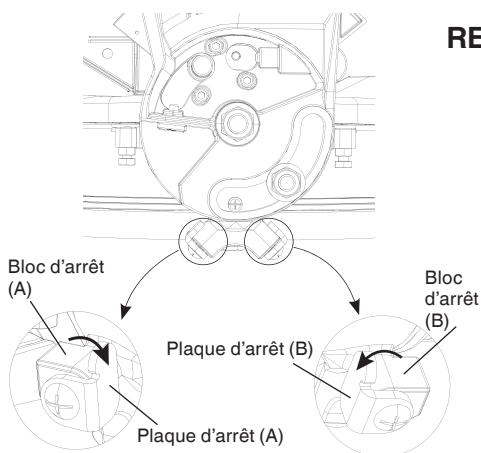


Fig. 29

REMARQUE: Si un angle de biseau gauche de 48° est nécessaire, faire glisser la plaque d'arrêt du biseau (A) dans le sens horaire loin du bloc d'arrêt (A) pour atteindre un angle de biseau gauche de 48°. Si un angle de biseau droit de 48° est nécessaire, faire glisser la plaque d'arrêt du biseau (B) dans le sens anti-horaire loin du bloc d'arrêt (B) pour atteindre un angle de biseau droit de 48°. Utiliser aussi une plaque d'ancrage. (voir la Fig. 19-b)

⚠ AVERTISSEMENT: Quand on fixe la pièce sur le côté gauche ou droit de la lame, la section tronçonnée courte vient reposer sur le côté droit ou gauche de la lame. Toujours couper l'alimentation et attendre que la lame se soit complètement arrêtée avant de relever la poignée de la pièce.

Si on relève la poignée alors que la lame tourne toujours, la section tronçonnée se coincera contre la lame et des fragments s'éparpilleront, ce qui serait dangereux.

Si l'on interrompt la coupe de biseau à mi-chemin, recommencer la coupe après avoir ramené la tête du moteur à sa position d'origine.

Si l'on commence à mi-chemin sans avoir ramené la tête, le protection intérieure se coincera dans l'encoche de coupe de la pièce et il touchera la lame.

⚠ PRECAUTION: * Si l'on ne serre pas assez, la tête du moteur risque de bouger ou de glisser subitement et de provoquer des blessures. Bien serrer la section de la tête du moteur de façon qu'elle ne bouge pas.

* Toujours s'assurer que la poignée de verrouillage d'angle en biseau est sécurisée et que la tête de moteur est serrée. Si l'on effectue une coupe à angle sans bloquer la tête du moteur, elle risque de bouger de façon imprévue et de provoquer des blessures.

6. Goupille de réglage 33.9° (A) pour moulure de corniche (Fig. 28)
 - (1) Pousser la goupille de réglage d'angle en biseau (A) vers l'arrière de la machine.
 - (2) Serrer la poignée de verrouillage d'angle en biseau.
 - (3) Incliner la tête de coupe jusqu'à ce que la goupille de réglage (A) arrête l'angle en biseau à 33.9° sur l'échelle de biseaux.
 - (4) Serrer la poignée de verrouillage d'angle en biseau pour verrouiller la tête de coupe sur la position. (voir Fig. 28)
7. Procédures de coupe d'onglet

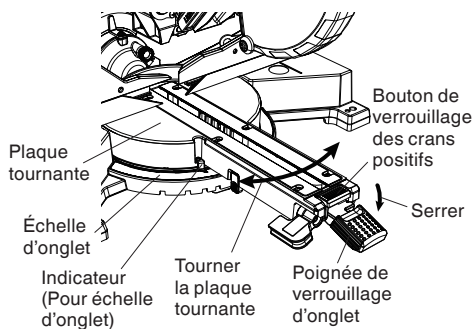


Fig. 30

- (1) Déverrouiller la table de scie à onglet en soulevant la poignée de verrouillage d'onglet.
- (2) Tout en enfonçant le bouton de verrouillage des crans positifs, saisir la poignée de verrouillage d'onglet et tourner la table à gauche ou à droite à l'angle désiré.
- (3) Une fois l'angle d'onglet désiré obtenu, relâcher le bouton de verrouillage des crans positifs et enfoncer la poignée de verrouillage d'onglet pour sécuriser la table sur la position.

- (4) Si l'angle d'onglet n'est PAS un des neuf crans positifs listés ci-dessous, voir la section Bouton de contournement d'encliquetage de la table à la page 61.
- (5) Allumer le guide laser et positionner la pièce sur la table pour le préalignement de votre coupe.

⚠ PRECAUTION: Toujours confirmer que la poignée de verrouillage d'onglet est sécurisée et que la plaque tournante est serrée.
Si l'on effectue une coupe à angle sans bloquer la table tournante, elle risque de bouger de façon imprévue et de provoquer des blessures.

REMARQUE: * Des crans positifs sont prévus à droite et à gauche du réglage central de 0°, à 15°, 22.5°, 31.6° et 45°.
Vérifier que l'échelle d'onglet et l'extrémité de l'indicateur sont alignés correctement.
* L'utilisation de la scie avec l'échelle d'onglet et l'indicateur non alignés causera une précision de coupe médiocre.
Veuillez confirmer que la garde secondaire (A) (B) n'interfère pas avec d'autres pièces avant d'essayer de faire une coupe mixte. En cas d'interférence, retirer la garde secondaire (A) ou (B).

8. Procédures de coupe mixte

La coupe mixte s'effectue en suivant les instructions de 5 à 7 ci-dessus. Pour les dimensions maximales de la coupe mixte, voir le tableau des « SPÉCIFICATIONS » à la page 52.

⚠ PRECAUTION: Toujours fixer la pièce de la main droite ou gauche et la couper en glissant la section ronde de la scie vers l'arrière avec la main gauche.
Il serait très dangereux de faire tourner la plaque tournante vers la gauche pendant une coupe mixte car la lame risquerait d'entrer en contact avec la main qui tient la pièce.
Dans le cas d'une coupe mixte (angle + biseau) à biseau gauche, complètement déployer la garde secondaire (B) avant de procéder à l'opération de coupe.
Dans le cas d'une coupe mixte (angle + biseau) à biseau droit, complètement déployer la garde secondaire (A) avant de procéder à l'opération de coupe.
Veuillez confirmer que la garde secondaire (A) (B) n'interfère pas avec d'autres pièces avant d'essayer de faire une coupe mixte. En cas d'interférence, retirer la garde secondaire (A) ou (B).

9. Procédures de coupe de corniche complexe

La Fig. 31 montre deux types de corniche complexe courants ayant des angles de (θ) 38° et de 45°. Pour les montures de corniche complexe, voir la Fig. 32.

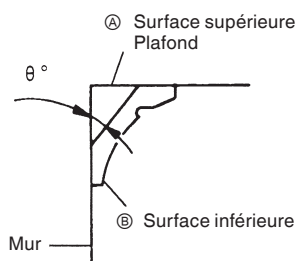


Fig. 31

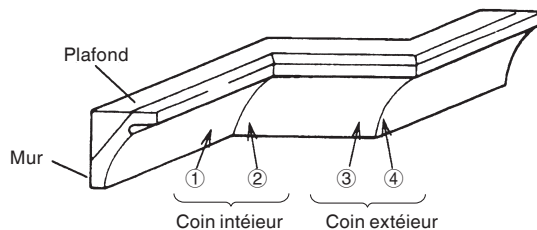


Fig. 32

Le tableau ci-dessous montre les réglages d'angle d'onglet et d'angle de biseau qui conviennent le mieux pour les deux types de corniche complexe.

REMARQUE: A des fins de commodité, des crans positifs sont prévus à la fois pour les positions de réglage d'onglet (31.6° à gauche et à droite).

Réglage d'une coupe d'onglet

Si la plaque tournante est réglée sur l'un des angles décrits, déplacer la poignée de verrouillage d'onglet de réglage de la plaque tournante légèrement vers la droite ou vers la gauche pour stabiliser la position et aligner correctement l'échelle d'angles d'onglet et l'extrémité de l'indicateur avant de commencer le travail.

Réglage d'une coupe de biseau

Serrer la poignée de verrouillage d'angle en biseau et s'assurer que la position est stable et que l'échelle d'angle de biseau et l'extrémité de l'indicateur sont soigneusement alignées. Puis, serrer le levier de serrage.

Type de corniche complexe	Pour découper une corniche complexe aux positions ① et ④ de la Fig. 32		Pour découper une corniche complexe aux positions ② et ③ de la Fig. 32	
	Réglage d'angle d'onglet	Réglage d'angle de biseau	Réglage d'angle d'onglet	Réglage d'angle de biseau
Type 45°	35.3° vers la droite	30° vers la gauche	35.3° vers la gauche	30° vers la gauche
Type 38°	31.6° vers la droite	33.9° vers la gauche	31.6° vers la gauche	33.9° vers la gauche

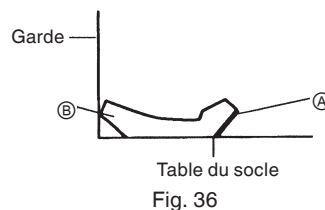
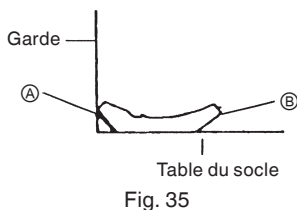
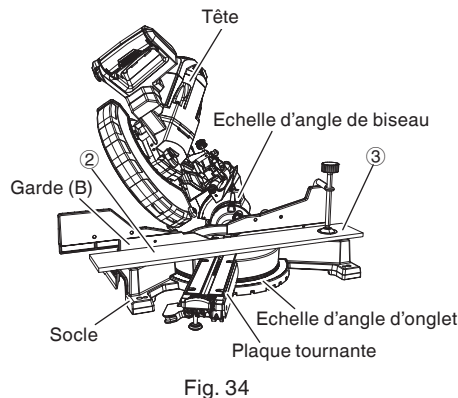
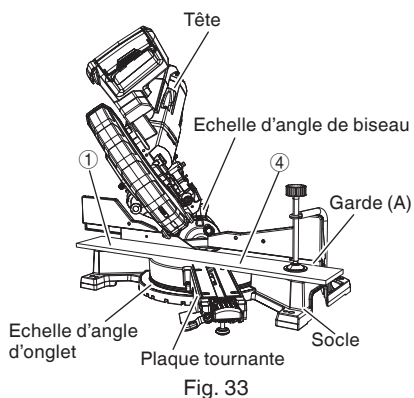
(1) Réglage de coupe en corniche complexe aux positions ① et ④ de la Fig. 32 (voir Fig. 33 ; incliner la tête vers la gauche):

- ① Tourner la plaque tournante vers la droite et régler l'angle d'onglet comme suit:
 - * Pour des corniches complexes de type 45°: 35.3°
 - * Pour des corniches complexes de type 38°: 31.6°

- ② Incliner la tête vers la gauche et régler l'angle de biseau comme suit:
 - * Pour des corniches complexes de type 45°: 30°
 - * Pour des corniches complexes de type 38°: 33.9°
- ③ Disposer la corniche complexe de façon que la surface inférieure (A sur la Fig. 31) touche la garde comme indiqué à la Fig. 35.

(2) Réglage de coupe en corniche complexe aux positions ② et ③ de la Fig. 32 (voir Fig. 34 ; incliner la tête vers la gauche):

- ① Tourner la plaque tournante vers la droite et régler l'angle d'onglet
 - * Pour des corniches complexes de type 45°: 35.3°
 - * Pour des corniches complexes de type 38°: 31.6°
- ② Incliner la tête vers la gauche et régler l'angle de biseau comme suit:
 - * Pour des corniches complexes de type 45°: 30°
 - * Pour des corniches complexes de type 38°: 33.9°
- ③ Disposer la corniche complexe de façon que la surface supérieure (B sur la Fig. 31) touche la garde comme indiqué à la Fig. 36.

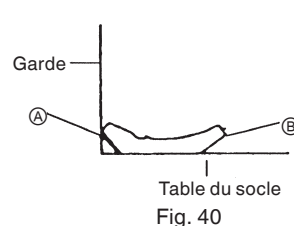
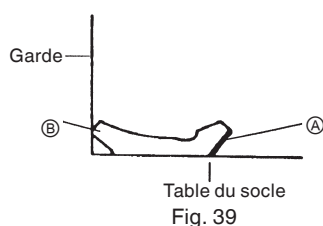
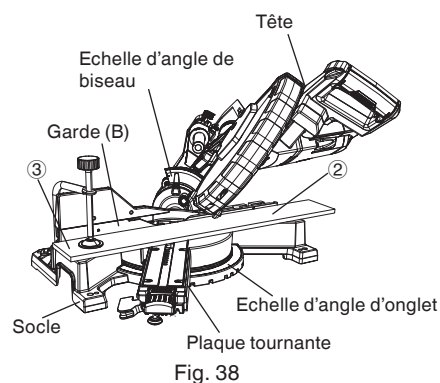
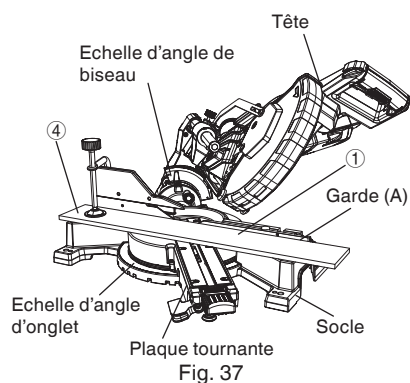


(3) Réglage de coupe en corniche complexe aux positions ① et ④ de la Fig. 32 (voir Fig. 37 ; incliner la tête vers la droite):

- ① Tourner la plaque tournante vers la droite et régler l'angle d'onglet comme suit:
 - * Pour des corniches complexes de type 45°: 35.3°
 - * Pour des corniches complexes de type 38°: 31.6°

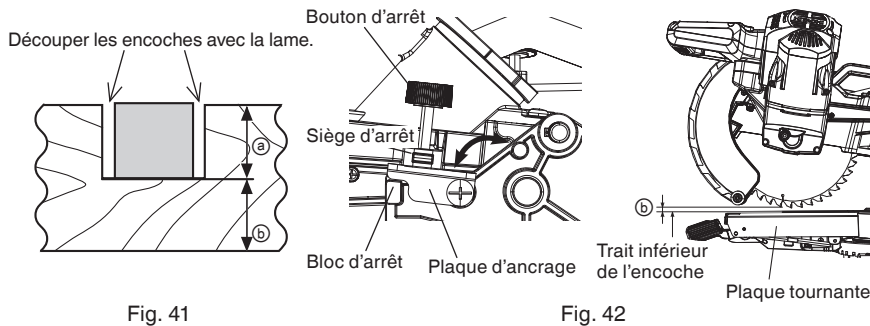
- ② Incliner la tête vers la droite et régler l'angle de biseau comme suit:
- * Pour des corniches complexes de type 45°: 30°
 - * Pour des corniches complexes de type 38°: 33.9°
- ③ Disposer la corniche complexe de façon que la surface inférieure (Ⓑ sur la Fig. 31) touche la garde comme indiqué à la Fig. 39.
- (4) Réglage de coupe en corniche complexe aux positions ② et ③ de la Fig. 32 (voir Fig. 38 ; incliner la tête vers la droite):

- ① Tourner la plaque tournante vers la droite et régler l'angle d'onglet comme suit:
- * Pour des corniches complexes de type 45°: 35.3°
 - * Pour des corniches complexes de type 38°: 31.6°
- ② Incliner la tête vers la gauche et régler l'angle de biseau comme suit:
- * Pour des corniches complexes de type 45°: 30°
 - * Pour des corniches complexes de type 38°: 33.9°
- ③ Disposer la corniche complexe de façon que la surface supérieure (Ⓐ sur la Fig. 31) touche la garde comme indiqué à la Fig. 40.



⚠ AVERTISSEMENT: Maintenir ou serrer dans un étau la moulure de corniche contre la garde; dans le cas contraire, la moulure de corniche peut être projetée hors de la table et provoquer une blessure corporelle.

10. Procédures de coupe d'encoche



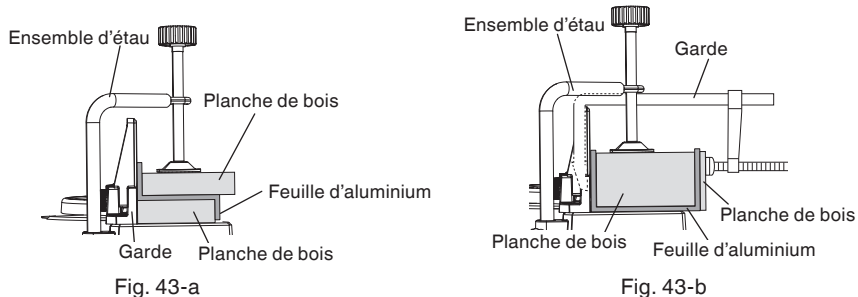
Les encoches dans les pièces se découpent comme indiqué à la Fig. 41 en réglant le bouton d'arrêt.

Procédure de réglage de la profondeur de coupe:

- (1) Tourner la plaque d'ancrage dans le sens illustré à la Fig. 42.
Abaisser la tête de moteur et tourner le bouton d'arrêt avec la main. (Là où la tête du bouton d'arrêt entre en contact avec la plaque d'ancrage.)
- (2) Régler la profondeur de coupe voulue en réglant la distance entre la lame et la surface du plaque tournante (voir © à la Fig. 42).

REMARQUE: Quand on découpe une seule encoche à l'une des extrémités de la pièce, retirer la section inutile avec un ciseau

11. Coupe de matériaux qui se déforment facilement, par exemple une feuille d'aluminium
Les matériaux comme l'aluminium en feuille se déforment facilement quand ils sont serrés trop fort dans un étau. Cela ne permettra pas une bonne coupe et risque de provoquer une surcharge du moteur.
Pour couper ce genre de matériaux, utiliser une planche de bois pour protéger la pièce comme indiqué à la Fig. 43-a. Placer la planche de bois près de la section de coupe.
Pour couper de l'aluminium, enduire la lame d'une huile de coupe (non-combustible) pour obtenir une coupe régulière et un bon fini.
En outre, dans le cas d'un pièce en U, utiliser un morceau de bois comme le montre la Fig. 43-b pour réaliser la stabilité dans le sens latéral, le fixer près de la coupe de la pièce et le serrer en utilisant l'étau et un serre-joint disponible sur le marché.



INSTALLATION ET RETRAIT DE LA LAME

- ⚠ AVERTISSEMENT:** * Pour éviter tout risque d'accident ou de blessure, toujours couper l'interrupteur à gâchette et débrancher la fiche de la prise secteur avant de retirer ou d'installer la lame. Si le travail de coupe est effectué alors que le boulon de 8 mm n'est pas suffisamment serré, le boulon de 8 mm risque de se défaire, la lame de se détacher et le protection intérieure de s'abîmer, ce qui provoquera des blessures. Par ailleurs, s'assurer que les boulons de 8 mm sont convenablement serrés avant de brancher la fiche du cordon d'alimentation sur une prise secteur.
- * Si les boulons de 8 mm sont posés ou déposés en utilisant un outil autre que la clé de 13 mm (accessoire standard), le serrage peut être excessif ou insuffisant et cela peut provoquer une blessure.

1. Démontage de la lame (Fig. 44-a, Fig. 44-b, Fig. 44-c et Fig. 44-d)
 - (1) Débrancher le cordon d'alimentation du secteur.
 - (2) Soulever la tête de coupe à la position verticale et faire glisser complètement la tête de coupe vers l'arrière de l'appareil et serrer le bouton de fixation du chariot.
 - (3) Soulever la protection intérieure à la position supérieure.
 - (4) Retirer la vis de la plaque du couvercle avec un tournevis Phillips.
 - (5) Placer la clé de changement de lame sur le boulon de 8 mm.
 - (6) Localiser le verrou d'axe sur le moteur.
 - (7) Appuyer sur le verrou d'axe, en le tenant fermement tout en tournant la lame dans le sens horaire. Le verrou d'axe s'engage alors et verrouille l'arbre. Continuer à maintenir le verrou d'axe, tout en tournant la clé dans le sens horaire pour desserrer le boulon de 8 mm.
 - (8) Retirer le boulon de 8 mm, la rondelle (B) et la lame. Ne pas retirer la rondelle (A).

REMARQUE: Si le verrou d'axe ne peut pas facilement être engagé pour verrouiller l'axe, tourner le boulon de 8 mm avec une clé de 13 mm (accessoire standard) tout en appliquant une pression sur le verrou d'axe.

L'axe de la lame est verrouillé quand le verrou d'axe est enfoncé.

REMARQUE: Faire attention aux pièces déposées en notant leur position et leur orientation. Essayer les copeaux de scie de la rondelle (B) avant d'installer une lame neuve.

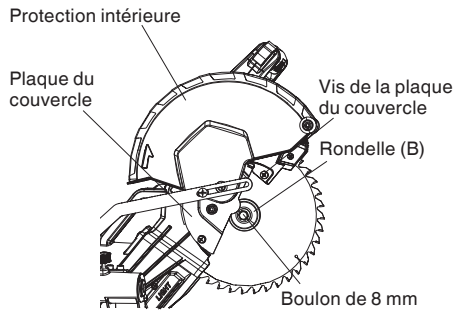


Fig. 44-a

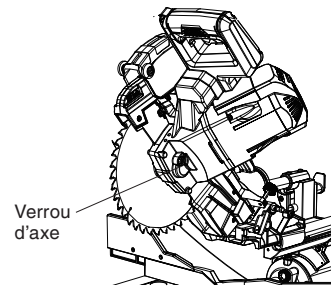


Fig. 44-b

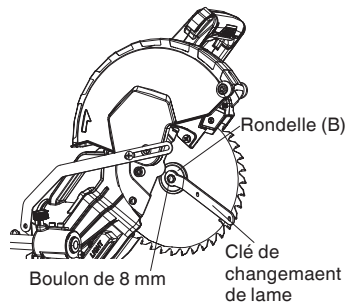


Fig. 44-c

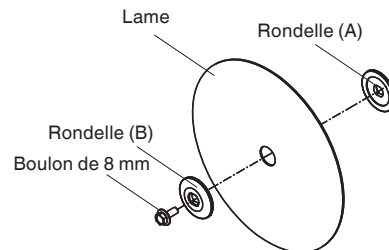


Fig. 44-d

⚠ AVERTISSEMENT: Lors du montage de la lame de scie, s'assurer que la marque de sens de rotation sur la lame de scie et le sens de rotation sur la protection intérieure (se reporter à la Fig. 1) sont les mêmes.

⚠ PRECAUTION: * Vérifier que le verrou d'axe est revenu en position rentrée après le retrait ou l'installation de la lame.
* Serrer le boulon 8 mm de façon qu'il ne se desserre pas pendant le fonctionnement.
Vérifier que le boulon 8 mm est solidement vissé avant de mettre l'outil électrique en marche.

2. Montage de la lame de scie

⚠ AVERTISSEMENT: Débrancher la scie à onglet avant de remplacer/installer la lame.

- (1) Sélectionner une lame de 255 mm en s'assurant que la flèche de rotation sur la lame correspond à la flèche de rotation dans le sens horaire sur la protection intérieure et que les dents de la lame sont dirigées vers le bas.
- (2) Placer la lame, la rondelle (B) contre la lame. Fileter le boulon de 8 mm dans un sens anti-horaire.

REMARQUE: S'assurer que les côtés plats des bords de lame sont engagés dans ceux de l'axe de l'arbre. De plus, le côté plat du bord de lame doit être placé contre la lame.

- (3) Placer la clé de changement de lame sur le boulon de 8 mm.
- (4) Appuyer sur le verrou d'axe, en le tenant fermement tout en tournant la lame dans le sens anti-horaire. Une fois engagé, continuer d'appuyer sur le verrou d'axe tout en serrant solidement le boulon de 8 mm.
- (5) Remettre la vis de la plaque du couvercle et serrer avec un tournevis Phillips.
- (6) Tourner la plaque du couvercle et abaisser la protection à sa position d'origine.
- (7) Vérifier que le fonctionnement de la protection intérieure ne s'accroche pas ou ne se coince pas.
- (8) Veiller à ce que le verrou d'axe soit relâché de sorte que la lame tourne librement.

⚠ PRECAUTION: Ne jamais tenter d'installer des lames de scie de plus de 10" (255 mm) de diamètre. Toujours installer des lames de scie d'un diamètre égal ou inférieur à 10" (255 mm).

ENTRETIEN ET INSPECTION

⚠ PRECAUTION: Pour éviter tout risque d'accident ou de blessure, toujours vérifier que l'interrupteur à gâchette est coupé et que la fiche d'alimentation est débranchée de la prise secteur avant d'entretenir ou d'inspecter l'outil

1. Inspection de la lame
Toujours remplacer la lame dès qu'elle présente des signes d'usure ou de dommage. Une lame endommagée risque de provoquer des blessures, et une lame usée peut réduire le rendement et provoquer une surcharge du moteur.
⚠ PRECAUTION: Ne jamais utiliser de lame émoussée. Si la lame est émoussée, sa résistance à la pression de la main appliquée par la poignée de l'outil a tendance à augmenter, ce qui rend le fonctionnement de l'outil électrique peu sûr.
2. Inspecter les balais carbone (Fig. 45 et Fig. 46)
Les balais carbone du moteur sont des pièces consommables. Si les balais en carbone sont usés, le moteur risque d'avoir des anomalies. En conséquence, inspecter périodiquement les balais en carbone et les remplacer lorsqu'ils ont atteint la limite d'usure comme indiqué à la Fig. 45. Par ailleurs, maintenir les balais carbone propres de façon qu'ils glissent régulièrement dans les porte-balai.
Retirer les deux vis de blocage et le couvercle arrière de moteur du moteur. Retirer soigneusement la tête porte-balai du côté du moteur. Ensuite, extraire le balai carbone et le remplacer. Les pattes sur l'extrémité métallique de l'ensemble s'insèrent dans le même orifice que la pièce de carbone. Finalement, serrer parfaitement la tête porte-balai, mais sans trop serrer. Répéter la procédure ci-dessus pour le balai en carbone situé sur l'autre côté du moteur.

REMARQUE: Lors du remplacement des balais carbone, utiliser uniquement des balais carbone Hitachi avec le No. de code « 463 » (voir Fig. 45). Si vous utilisez d'autres balais carbone, le frein électrique ne fonctionnera pas.

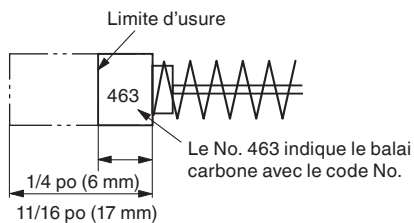


Fig. 45

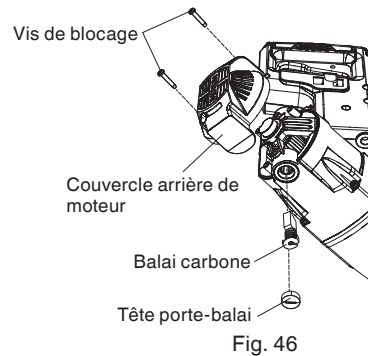


Fig. 46

3. A propos de l'entretien du moteur (se reporter à la Fig. 1)
L'enroulement du moteur est le coeur de cet outil. Veiller tout particulièrement à ne pas endommager l'enroulement en l'exposant à l'huile ou à l'eau.

REMARQUE: L'accumulation de poussières dans le moteur peut entraîner une anomalie de fonctionnement. Après avoir fait tourner le moteur pendant 50 heures environ, le laisser tourner à vide et souffler de l'air sec dans le perçage à l'arrière du moteur. Cette action a pour effet de débarrasser le moteur des poussières et saletés.

4. Inspection des vis
Inspecter régulièrement chaque composant de l'outil électrique pour voir s'il n'est pas lâche.
Resserrer les vis des pièces lâches.

⚠ AVERTISSEMENT: Pour éviter tout risque de blessure, ne jamais faire fonctionner l'outil électrique si certains de ses composants sont lâches.

5. Inspection du bon fonctionnement de la protection inférieure
Avant chaque utilisation, faire un essai de la protection inférieure (voir Fig. 9) pour s'assurer qu'elle est en bon état et qu'elle se déplace en douceur.
Ne jamais utiliser l'outil si la protection inférieure ne fonctionne pas correctement et qu'elle n'est pas en bon état mécanique.

6. Remisage
Quand le travail est terminé, vérifier que l'on a bien effectué toutes les opérations suivantes:

- (1) Interrupteur à gâchette en position OFF,
- (2) Fiche d'alimentation débranchée de la prise secteur,

Si l'on ne prévoit pas de se servir de l'outil, le ranger dans un lieu sec et hors de portée des enfants.

7. Graissage

Graisser les surfaces de glissement suivantes une fois par mois pour maintenir l'outil électrique en bon état de marche pendant longtemps (voir Fig. 1 et Fig. 2). Il est recommandé d'utiliser une huile de machine.

Points de graissage:

- * Section rotative de la charnière
- * Section rotative de l'ensemble d'étau
- * Section rotative du support (A)

8. Nettoyage

Retirer périodiquement les copeaux et autres déchets de la surface de l'outil électrique, en particulier par l'intérieur de la protection inférieure, avec un chiffon humecté de savon.

Si la ligne laser devient invisible en raison des copeaux et autres débris adhérant à la fenêtre de la section d'émission du marqueur laser, essuyer et nettoyer la fenêtre avec un chiffon sec ou un chiffon doux humecté d'une solution d'eau savonneuse, etc.

9. Liste des pièces de rechange

- A: HKU#
- B: I.D. No.
- C: Description
- D: Taille
- E: Qtté

⚠ PRECAUCIÓN: Les réparations, modifications et inspections des outils électriques Hitachi doivent être confiées à un service après-vente Hitachi agréé. Il sera utile de présenter cette liste de pièces au service après-vente Hitachi agréé lorsqu'on apporte un outil nécessitant des réparations ou tout autre entretien. Lors de l'utilisation et de l'entretien d'un outil électrique, respecter les règlements et les normes de sécurité en vigueur dans le pays en question.

MODIFICATIONS:

Les outils électriques Hitachi sont constamment améliorés et modifiés afin d'incorporer les tous derniers progrès technologiques.

En conséquence, il est possible que certaines pièces (c.-à-d. no. de code et/ou dessin) soient modifiées sans avis préalable.

SERVICE APRÈS-VENTE ET RÉPARATIONS

Tous les outils électriques de qualité finissent un jour par avoir besoin de réparations ou de remplacement de pièces sous l'effet d'une usure normale. Pour garantir que seules des pièces de rechange agréées seront utilisées et que le système de double isolation sera protégé, il faudra confier toutes les opérations d'entretien (autres que l'entretien de routine) exclusivement à un SERVICE APRES-VENTE D'OUTILS ELECTRIQUES HITACHI AGREE.

REMARQUE: Les spécifications sont sujettes à modification sans obligations de la part d'HITACHI.

83

INFORMACIÓN IMPORTANTE SOBRE SEGURIDAD

Antes de utilizar o de realizar cualquier trabajo de mantenimiento de esta herramienta eléctrica, lea y comprenda todas las precauciones de seguridad, advertencias e instrucciones de funcionamiento de este Manual de instrucciones.

La mayoría de los accidentes producidos en la operación y el mantenimiento de una herramienta eléctrica se deben a la falta de observación de las normas o precauciones de seguridad. Los accidentes normalmente podrán evitarse reconociendo una situación potencialmente peligrosa a tiempo y siguiendo los procedimientos de seguridad apropiados.

Las precauciones básicas de seguridad se describen en la sección "SEGURIDAD" de este Manual de instrucciones y en las secciones que contienen las instrucciones de operación y mantenimiento.

Para evitar lesiones o el daño de la herramienta eléctrica, los riesgos están identificados con ADVERTENCIAS en dicha herramienta y en este Manual de instrucciones.

No utilice **NUNCA** esta herramienta eléctrica de ninguna forma que no esté específicamente recomendada por HITACHI.

SIGNIFICADO DE LAS PALABRAS DE SEÑALIZACIÓN

ADVERTENCIA indica situaciones potencialmente peligrosas que, si se ignoran, pueden resultar en la muerte o en lesiones de gravedad.

PRECAUCIÓN indica situaciones potencialmente peligrosas que, de no evitarse, pueden resultar en lesiones menores o moderadas, o causar daños en la herramienta eléctrica.

NOTA acentúa información esencial.

SEGURIDAD

NORMAS DE SEGURIDAD PARA LAS HERRAMIENTAS ELÉCTRICAS

LEA TODAS LAS ADVERTENCIAS E INSTRUCCIONES DE OPERACIÓN DE ESTE MANUAL ANTES DE UTILIZAR ESTA HERRAMIENTA O DE REALIZAR TRABAJOS DE MANTENIMIENTO EN LA MISMA:

⚠ ADVERTENCIA: Cuando utilice esta herramienta eléctrica, tome todas las precauciones necesarias para reducir al mínimo el riesgo de descargas eléctricas y demás lesiones. En particular, observe siempre las normas de seguridad siguientes:

- 1. MANTENGA SIEMPRE LOS PROTECTORES EN SU LUGAR,** y en perfectas condiciones de trabajo.
- 2. ANTES DE PONER EN FUNCIONAMIENTO LA HERRAMIENTA, QUÍTELE TODAS LAS CHAVETAS Y LLAVES DE AJUSTE.** Antes de conectar la alimentación de la herramienta eléctrica, confirme que todas las chavetas y llaves de ajuste estén extraídas de la misma.
- 3. MANTENGA SIEMPRE EL ÁREA DE TRABAJO LIMPIA.** Evite lesiones debidas al desorden del área y el banco de trabajo.
- 4. NO UTILICE NUNCA LA HERRAMIENTA EN AMBIENTES PELIGROSOS.** No utilice nunca la herramienta eléctrica en lugares húmedos, y no la exponga nunca a la humedad. Mantenga siempre bien iluminada el área de trabajo.
- 5. NO PERMITA QUE LOS NIÑOS NI OTRAS PERSONAS ENTREN EN EL ÁREA DE TRABAJO.** Mantenga a las personas (especialmente los niños) alejadas del área de trabajo. Desenchufe siempre las herramientas desatendidas y bloquee el área de trabajo instalando cerraduras en las puertas y seguros en los interruptores principales. Cuando no vaya a utilizar una herramienta, quítele el botón de desbloqueo y guárdela en un lugar seguro.
- 6. NO FUERCE NUNCA LA HERRAMIENTA.** La herramienta trabajará mejor y con mayor seguridad si la utiliza con el régimen para el que fue diseñada.
- 7. UTILICE SIEMPRE LAS HERRAMIENTAS CORRECTAS.** No fuerce nunca una herramienta ni un accesorio para realizar un trabajo para el que no se haya diseñado.
- 8. ANTES DE TRABAJAR CON LA HERRAMIENTA, VÍSTASE LA ROPA ADECUADA.** No utilice nunca ropa floja, guantes, corbatas, collares, anillos, brazaletes, ni demás joyas que puedan quedar atrapados en las partes móviles. Utilice siempre calzado antideslizable, preferiblemente con punteras reforzadas con acero. Si tiene el pelo largo, recoja y cúbreselo.

9. **SIEMPRE USE PROTECCIÓN OCULAR CON PROTECCIONES LATERALES QUE CUMPLAN CON LOS REQUISITOS DE LA NORMA ESTÁNDAR ANSI Z87.1 AL TRABAJAR CON LA HERRAMIENTA PARA EVITAR LESIONES EN LOS OJOS.** Las gafas comunes no proporcionan la protección adecuada debido a que no contienen cristal de seguridad resistente a impactos. También, use una máscara para el rostro para obtener seguridad adicional y use una máscara anti polvo si la operación de corte produce polvo.
10. **ASEGURE SIEMPRE LA PIEZA DE TRABAJO EN LA ESCUADRA DE GUÍA O EN LA MESA.** Utilice abrazaderas o un tornillo de carpintero para sujetar la pieza de trabajo. Es más seguro utilizar que utilizar su mano, porque podrá usar ambas para manejar la herramienta.
11. **NO SE EXTRALIMITE NUNCA.** Cuando trabaje con la herramienta, mantenga en todo momento el equilibrio.
12. **MANTENGA SIEMPRE LAS HERRAMIENTAS EN PERFECTAS CONDICIONES.** Guarde siempre las herramientas afiladas y limpias para que rindan al máximo y ofrezcan la mayor seguridad. Siga siempre las instrucciones sobre lubricación y cambio de accesorios de las herramientas.
13. **DESCONECTE SIEMPRE LA HERRAMIENTA** antes de realizar la operación de mantenimiento y de cambiar la hoja de sierra y demás accesorios.
14. **TENGA CUIDADO CON LA PUESTA EN FUNCIONAMIENTO ACCIDENTAL AL ENCHUFAR LA HERRAMIENTA.** Antes de insertar el enchufe de alimentación en un tomacorriente, cerciórese de que el interruptor esté en la posición OFF.
15. **CON ESTA HERRAMIENTA UTILICE SIEMPRE SOLAMENTE LOS ACCESORIOS RECOMENDADOS.** Con respecto a la descripción sobre los accesorios recomendados, consulte el manual de instrucciones. Para evitar lesiones, con esta herramienta, utilice solamente los accesorios recomendados.
16. **NO SE SUBA NUNCA SOBRE LA HERRAMIENTA.** Evite lesiones serias no inclinando la herramienta ni tocando accidentalmente la hoja de sierra.
17. **ANTES DE UTILIZAR LA HERRAMIENTA, COMPRUEBE SI TIENE PARTES DAÑADAS.** Compruebe siempre si el protector y los demás componentes están dañados antes de utilizar la herramienta para asegurarse de que funcionen adecuadamente. Compruebe si todas las partes móviles están adecuadamente alineadas, no están dobladas, y no se encuentran en otras condiciones que puedan afectar la operación apropiada. Antes de utilizar la herramienta, repare o reemplace siempre cualquier protector o componente dañado.
18. **ANTES DE UTILIZAR LA HERRAMIENTA, COMPRUEBE SIEMPRE EL SENTIDO DE GIRO DE LA HOJA DE SIERRA.** Alimente siempre la pieza de trabajo en la herramienta en sentido contrario al de giro de la hoja de sierra a fin de evitar posibles lesiones.
19. **NO DEJE LA HERRAMIENTA DESATENDIDA EN FUNCIONAMIENTO. DESCONECTE LA ALIMENTACIÓN.** No deje la herramienta mientras no se haya parado completamente. Cuando no vaya a utilizar la herramienta, desenchufe su cable de alimentación.
20. Esta herramienta no ha sido diseñada para aplicaciones de producción en masa, y no deberá utilizarse para ello.
21. Cuando tenga que reemplazar esta herramienta, utilice solamente las piezas de reemplazo autorizadas.
22. Aplique solamente 120 voltios CA a esta unidad. Si le aplicase una tensión incorrecta, o tensión de CC, la HERRAMIENTA ELÉCTRICA podría funcionar incorrectamente y causar lesiones o daños a la propia herramienta.

23. No levante nunca la hoja de sierra de la pieza de trabajo mientras no se haya parado completamente.
24. Utilice siempre soportes para piezas de trabajo largas que sobrepasen la longitud de la mesa de la sierra compuesta deslizable.
25. Después de cada operación de corte en cruz, devuelva el carro a la posición completamente posterior a fin de reducir el riesgo de lesiones.
26. **ENCHUFES POLARIZADOS** Para reducir el riesgo de descargas eléctricas, este equipo posee un enchufe polarizado (una cuchilla del mismo es más amplia que la otra). Este enchufe solamente encajará de una forma en un tomacorriente polarizado. Si el enchufe no encaja en el tomacorriente, póngase en contacto con un electricista cualificado para que le instale el tomacorriente apropiado. No cambie nunca el enchufe del cable de alimentación.

Normas de seguridad específicas para la utilización de esta herramienta

⚠ ADVERTENCIA: Las instrucciones de operación específicas siguientes deberán observarse cuando se utilice esta HERRAMIENTA ELÉCTRICA a fin de evitar lesiones:

LO QUE DEBERÁ HACERSE

TENGA SIEMPRE EN CUENTA LAS NORMAS SIGUIENTES PARA PODER UTILIZAR CON SEGURIDAD ESTA HERRAMIENTA:


1. Antes de intentar utilizar esta HERRAMIENTA ELÉCTRICA, lea este manual y familiarícese con las normas de seguridad y las instrucciones de operación.
2. Quite todo el material de embalaje adherido o vinculado con la herramienta antes de usarla.
3. Antes de utilizar la HERRAMIENTA ELÉCTRICA, confirme que esté limpia.
4. Para utilizar la HERRAMIENTA ELÉCTRICA, vístase ropa ajustada, calzado no deslizante (preferiblemente con punteras reforzadas con acero) y gafas protectoras.
5. Maneje la HERRAMIENTA ELÉCTRICA con cuidado. Si la HERRAMIENTA ELÉCTRICA se cae o se golpea contra un objeto duro, puede deformar o rajarse, o sufrir otros daños.
6. Si nota cualquier anomalía, deje de utilizar inmediatamente la sierra.
7. Antes de utilizar la herramienta, compruebe si todos los componentes están montados adecuadamente y con seguridad.
8. Cuando reemplace la hoja de sierra, confirme que las rpm de la nueva sean correctas para utilizarse con esta unidad.
9. Antes de realizar cualquier trabajo de mantenimiento o ajuste, desconecte la alimentación y espere hasta que la hoja de sierra se haya parado completamente.
10. Durante la operación de corte, empuje siempre la hoja de sierra alejándola de usted.
11. Sujete o asegure la pieza de trabajo en la escuadra de guía, ya que de lo contrario podría salirse de la mesa y causar lesiones serias.
12. Durante el corte de ingletes o en bisel, espere siempre hasta que la hoja de sierra se haya parado completamente antes de levantarla.
13. Realice siempre una prueba antes de intentar utilizar una hoja de sierra nueva.

14. Maneje siempre la hoja de sierra con cuidado con la desmonte o monte.
15. Antes de utilizar la sierra, compruebe siempre si la pieza de trabajo está exenta de puntas y demás objetos extraños.
16. Mantenga siempre las manos alejadas del trayecto de la hoja de sierra.
17. Antes de utilizar la sierra, confirme que el revestimiento de protección inferior esté en el lugar apropiado.
18. Antes de intentar cortar, confirme siempre que el revestimiento de protección inferior no obstruya el movimiento de deslizamiento de la sierra.
19. Inspeccione periódicamente el cable de alimentación de la herramienta.
20. Antes de poner en funcionamiento la herramienta, confirme si la longitud del cable de alimentación y de los cables prolongadores, si va a utilizarlos, es apropiada.
21. Antes de utilizar la herramienta, confirme que los orificios de ventilación del motor estén completamente abiertos.
22. Antes de comenzar a cortar, espere siempre hasta que el motor haya alcanzado la velocidad plena.
23. Mantenga siempre las empuñaduras secas, limpias, y exentas de aceite y grasa. Cuando utilice la herramienta, sujétela firmemente.
24. Para piezas de trabajo que sobrepasen la mesa de la sierra compuesta deslizable, utilice soportes.
25. Utilice siempre la herramienta después de haberse asegurado de que la pieza de trabajo esté adecuadamente fijada con un tornillo de carpintero.
26. El manual de instrucciones suministrado con la herramienta indica al usuario que asegure la herramienta a la estructura de soporte si, durante la operación normal, la herramienta tiende a volcarse, deslizarse, o moverse por la superficie de soporte.

LO QUE NO DEBERÁ HACERSE

NO VIOLE NUNCA LAS NORMAS SIGUIENTES PARA PODER UTILIZAR CON SEGURIDAD ESTA HERRAMIENTA:

1. No utilice nunca la HERRAMIENTA ELÉCTRICA a menos que haya comprendido completamente las instrucciones de operación contenidas en este manual.
2. No deje nunca la HERRAMIENTA ELÉCTRICA desatendida sin haber desenchufado antes el cable de alimentación.
3. No utilice nunca la HERRAMIENTA ELÉCTRICA cuando esté cansado, después de haber ingerido medicamentos, o cuando haya tomado bebidas alcohólicas.
4. No utilice nunca la HERRAMIENTA ELÉCTRICA para aplicaciones no especificadas en este manual.
5. No utilice nunca la herramienta con ropa floja, corbata, ni joyas, ni si haberse cubierto el pelo para evitar que puedan quedar atrapados en las partes móviles.
6. No acerque las manos a la hoja de sierra.
7. No toque nunca las partes móviles, incluyendo la hoja de sierra, mientras esté utilizando la sierra.
8. No quite nunca ningún dispositivo de seguridad ni los protectores de la hoja de sierra, ya que la utilización de la herramienta sin ellos podría resultar peligrosa.
9. No bloquee nunca el revestimiento de protección inferior; confirme que se deslice suavemente antes de utilizar la herramienta.

10. No dañe nunca el cable de alimentación de la herramienta.
11. No intente mover nunca una HERRAMIENTA ELÉCTRICA con el dedo en el interruptor de disparo.
12. No intente nunca utilizar la HERRAMIENTA ELÉCTRICA si el interruptor de disparo no funciona adecuadamente.
13. No utilice nunca la HERRAMIENTA ELÉCTRICA si la envoltura de plástico o la empuñadura está rajada o deformada.
14. No utilice nunca la HERRAMIENTA ELÉCTRICA cerca de líquidos ni gases inflamables porque las chispas podrían causar una explosión.
15. No limpie nunca los componentes de plástico con disolventes, porque el plástico podría disolverse.
16. No utilice nunca la herramienta a menos que los protectores de la hoja de sierra estén en su lugar.
17. No levante nunca la hoja de sierra de la pieza de trabajo mientras no se haya parado completamente.
18. Cuando corte deslizando, no tire nunca de la empuñadura hacia usted mismo, ya que esto podría hacer que la hoja de sierra se saliese de la pieza de trabajo. Empuje siempre la empuñadura alejándola de usted mismo con un solo movimiento uniforme.
19. No coloque nunca sus miembros dentro de la línea cerca del signo de advertencia “” mientras esté utilizando la herramienta. Esto podría resultar peligroso.
20. No utilice nunca hojas de tipo abrasivo con esta herramienta.
21. No esponga nunca la herramienta a la lluvia, ni la utilice en lugares húmedos.
22. No corte nunca metales ferrosos ni mampostería.

ADVERTENCIA

PARA SU PROPIA SEGURIDAD, ANTES DE UTILIZAR ESTA TRONZADORA RADIAL ABATIBLE, LEA ESTE MANUAL DE INSTRUCCIONES.

1. Para utilizar esta tronadora radial abatible, utilice siempre gafas protectoras.
2. Mantenga siempre las manos fuera del trayecto de la hoja de sierra.
3. No utilice nunca la sierra sin los protectores en su lugar.
4. No realice ninguna operación sin las manos con esta tronadora radial abatible.
5. No acerque nunca las manos a la hoja de sierra.
6. Antes de mover la pieza de trabajo o de cambiar los ajustes espere siempre a que la hoja de sierra se haya parado completamente.
7. Desconecte siempre la herramienta antes de cambiar la hoja de sierra o de realizar cualquier trabajo de mantenimiento.
8. El diámetro de la hoja de sierra es de 10" (255 mm).
9. La velocidad sin carga es de 3,200/min.
10. Para reducir el riesgo de lesiones, haga el retornar el carro a la posición la posición completamente hacia atrás después de cada operación de corte.

PIEZAS DE REEMPLAZO

Para la reparación de una herramienta, utilice solamente piezas de reemplazo idénticas. Las reparaciones solamente deberán realizarse en un centro de servicio autorizado por Hitachi.


UTILICE EL CABLE PROLONGADOR ADECUADO

Cerchiórese de que el cable prolongador esté en buenas condiciones. Cuando utilice un cable prolongador, cerchiórese de que tenga el calibre (grosor) suficiente como para poder conducir la corriente necesaria para la herramienta. Un cable de calibre inferior causaría la caída de tensión, lo que resultaría en pérdida de potencia y en recalentamiento. En la tabla siguiente se indica el calibre correcto de acuerdo con la longitud del cable y la indicación de amperaje de la tabla de características. Cuando menor sea el número de calibre, mayor será el cable.

		CALIBRE MÍNIMO PARA CABLES			
		Longitud Total del Cable en Pies (Metros)			
		0 – 25 (0 – 7.6)	26 – 50 (7.9 – 15.2)	51 – 100 (15.5 – 30.5)	101 – 150 (30.8 – 45.7)
Amperaje nominal		AWG			
Más de	No más de				
	0 – 6	18	16	16	14
	6 – 10	18	16	14	12
	10 – 12	16	16	14	12
	12 – 16	14	12	No se recomienda	

⚠ ADVERTENCIA: Evite descargas eléctricas. No utilice nunca esta herramienta con un cable de alimentación o prolongador dañado ni reparado. Inspeccione regularmente todos los cables eléctricos. No utilice nunca la herramienta cerca del agua ni en ningún otro lugar en el que exista el riesgo de descargas eléctricas.

AISLAMIENTO DOBLE PARA OFRECER UNA OPERACIÓN MÁS SEGURA

Para garantizar una operación más segura de esta herramienta eléctrica, HITACHI ha adoptado un diseño de aislamiento doble. “Aislamiento doble” significa que se han utilizado dos sistemas de aislamiento físicamente separados para aislar los materiales eléctricamente conductores conectados a la fuente de alimentación del bastidor exterior manejado por el operador. Por lo tanto, en la herramienta eléctrica o en su placa de características aparecen el símbolo “” o las palabras “Double insulation” (aislamiento doble).

Aunque este sistema no posee puesta a tierra externa, usted deberá seguir las precauciones sobre seguridad eléctrica ofrecidas en este Manual de instrucciones, incluyendo la no utilización de la herramienta eléctrica en ambientes húmedos.

Para mantener efectivo el sistema de aislamiento doble, tenga en cuenta las precauciones siguientes:

- * Esta herramienta solamente deberá ser desmontada y montada en un CENTRO DE SERVICIO AUTORIZADO POR HITACHI, y sólo deberán utilizarse piezas de reemplazo genuinas de HITACHI.
- * Limpie el exterior de la herramienta eléctrica solamente con un paño suave humedecido en agua jabonosa, y después séquela bien.
- * No utilice disolventes, gasolina, ni diluidor de pintura para limpiar las partes de plástico, ya que podría disolverlas.

**¡GUARDE ESTAS
INSTRUCCIONES
Y
PÓNGALAS A DISPOSICIÓN DE
OTROS USUARIOS
Y
PROPIETARIOS DE ESTA
HERRAMIENTA!**

OPERACIÓN Y MANTENIMIENTO

NOTA: La información contenida en este manual ha sido diseñada para ayudarle a realizar una operación segura y a mantener la HERRAMIENTA ELÉCTRICA. Algunas ilustraciones de este manual pueden mostrar detalles o dispositivos diferentes a los de su propia HERRAMIENTA ELÉCTRICA.

NOMENCLATURA DE PARTES

MODELO C10FSHC

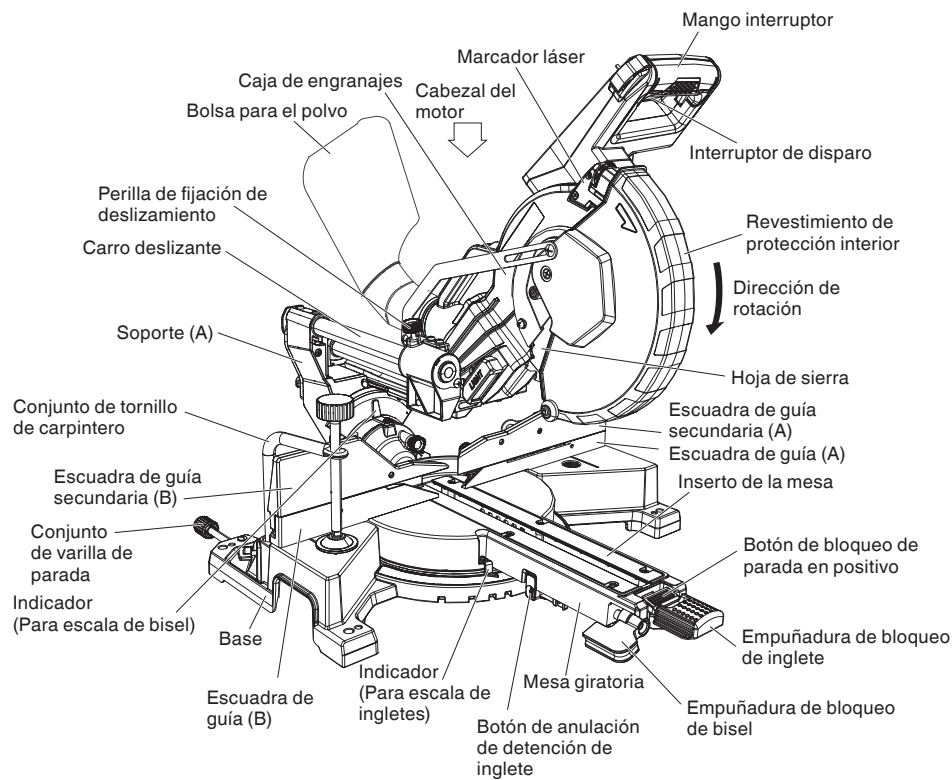


Fig. 1

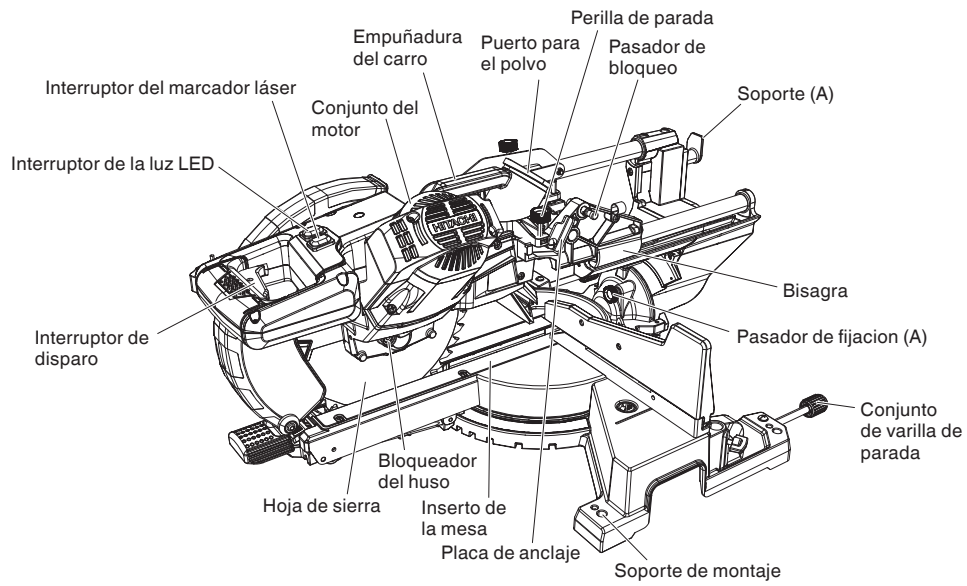


Fig. 2

ESPECIFICACIONES

Ítem	Modelo	C 10FSHC			
Motor	Tipo	Motor conmutador en serie			
	Fuente de alimentación	Monofásica, CA, 60 Hz			
	Tensión (voltios)	120			
	Corriente a plena carga (amperios)	15			
Marcador láser	Potencia máxima	<5 mW Producto láser CLASE IIIa			
	Longitud de onda	630 – 660 nm			
	Medio de láser	Diodo láser			
Hoja de sierra aplicable	Diámetro exterior: 10" (255 mm) Diámetro del orificio: 5/8" (15.9 mm)				
Velocidad sin carga	3,200/min				
Dimensión máxima de corte	Ingletes	Cabeza	Mesa giratoria	Dimensión máxima de corte	
				(Con placa de anclaje)	
		0	0	Altura máx.	3-1/2" (89 mm)
				Anchura máx.	11-1/2" (292 mm)
				(Sin placa de anclaje)	
				Altura máx.	2-1/2" (64 mm)
				Anchura máx.	12-1/2" (318 mm)
		0	45° a la izquierda o 45° a la derecha	(Con placa de anclaje)	
				Altura máx.	3-1/2" (89 mm)
				Anchura máx.	8" (204 mm)
				(Sin placa de anclaje)	
				Altura máx.	2-1/2" (64 mm)
				Anchura máx.	8-3/4" (222 mm)
		0	55° a la izquierda	(Con placa de anclaje)	
				Altura máx.	3-1/2" (89 mm)
				Anchura máx.	6-7/8" (176 mm)
				(Sin placa de anclaje)	
				Altura máx.	2-1/2" (64 mm)
				Anchura máx.	7-1/4" (182 mm)
		0	60° a la derecha	(Con placa de anclaje)	
				Altura máx.	3-1/2" (89 mm)
				Anchura máx.	5-3/4" (146 mm)
				(Sin placa de anclaje)	
				Altura máx.	2-1/2" (64 mm)
				Anchura máx.	6-1/4" (158 mm)
	Bisel	45° a la izquierda	0	(Con placa de anclaje)	
				Altura máx.	1-3/4" (45 mm)
				Anchura máx.	11-1/2" (292 mm)
				(Sin placa de anclaje)	
				Altura máx.	1-5/8" (41 mm)
				Anchura máx.	12-1/2" (318 mm)
		45° a la derecha	0	(Con placa de anclaje)	
				Altura máx.	1" (25 mm)
				Anchura máx.	11-1/2" (292 mm)
				(Sin placa de anclaje)	
				Altura máx.	3/4" (19 mm)
				Anchura máx.	12-1/2" (318 mm)
	Compuesto	45° a la izquierda	45° a la izquierda o 45° a la derecha	(Con placa de anclaje)	
				Altura máx.	1-3/4" (45 mm)
				Anchura máx.	8" (204 mm)
				(Sin placa de anclaje)	
				Altura máx.	1-5/8" (41 mm)
				Anchura máx.	8-3/4" (222 mm)
		45° a la derecha	45° a la izquierda o 45° a la derecha	(Con placa de anclaje)	
				Altura máx.	1" (25 mm)
				Anchura máx.	8" (204 mm)
				(Sin placa de anclaje)	
				Altura máx.	3/4" (19 mm)
				Anchura máx.	8-3/4" (222 mm)
Margen de corte de ingletes	0 – 55° a la izquierda 0 – 60° a la derecha				
Margen de corte en bisel	0 – 48° a la izquierda 0 – 48° a la derecha				
Margen de corte compuesto	0 – 45° a la izquierda (bisel), 0 – 45° a la izquierda (inglete) 0 – 45° a la derecha (bisel), 0 – 45° a la derecha (inglete)				
Peso neto	45.6 libras (20.7 kg)				
Cable	Cable de tipo de 2 conductores de 6 pies (1.8 m)				

ACCESORIOS

⚠ ADVERTENCIA: Los accesorios para esta herramienta eléctrica se mencionan en este Manual de instrucciones.
La utilización de otros accesorios puede resultar peligrosa y causar lesiones o daños mecánicos.

ACCESORIOS ESTÁNDAR

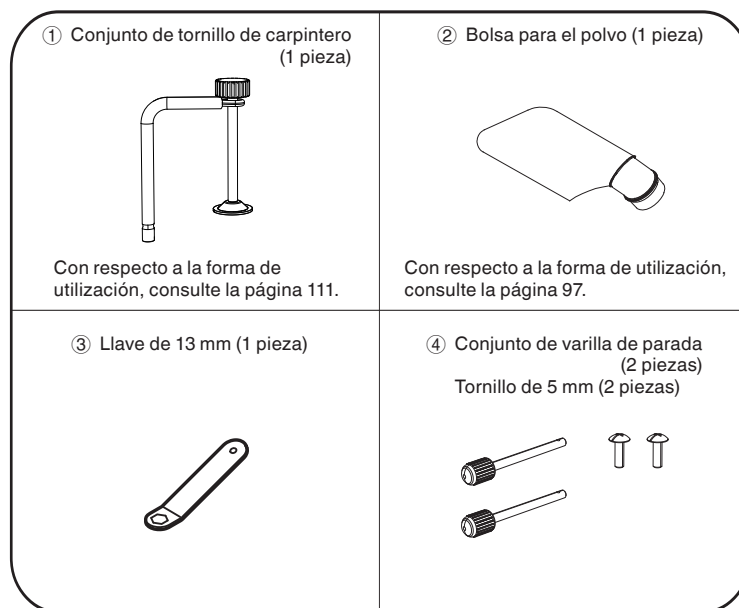


Fig. 3

NOTA: Los accesorios están sujetos a cambio sin ninguna obligación por parte de HITACHI.

APLICACIONES

Puertas corredizas de madera y aluminio.

PREPARATIVOS PREVIOS A LA OPERACIÓN

Antes de utilizar la herramienta eléctrica, realice los preparativos siguientes.

1. Quite todo el material de embalaje adherido o vinculado con la herramienta antes de usarla.
2. Instalación

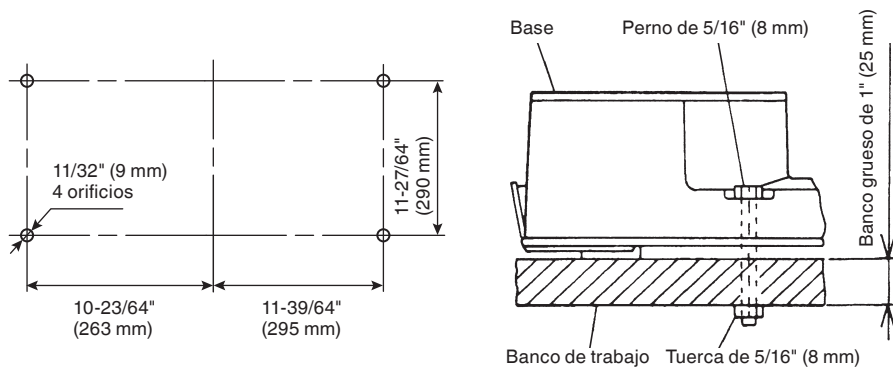


Fig. 4

Coloque la herramienta eléctrica sobre un banco de trabajo nivelado horizontal, como se muestra en la Fig. 4.

Seleccione pernos de 5/16" (8 mm) de diámetro y de la longitud adecuada al grosor del banco de trabajo. La longitud del perno deberá ser de 1-9/16" (40 mm) por lo menos más el grosor del banco de trabajo.

Por ejemplo, utilice pernos de 2-9/16" (65 mm) o más para un banco de trabajo con grosor de 1" (25 mm).

El conjunto de varilla de parada acoplada a la parte trasera de la base ayuda a estabilizar la herramienta eléctrica.

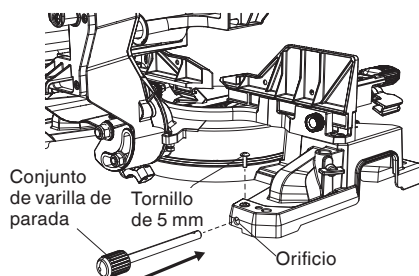


Fig. 5

Instalación del conjunto de varilla de parada

Inserte un conjunto de varilla de parada en el orificio ubicado en la parte posterior de la base y empújelo hasta el máximo de su recorrido.

Enrosque el tornillo de 5 mm en el orificio situado junto al soporte de montaje.

Apriete firmemente el tornillo de 5 mm con un destornillador.

Repita los pasos anteriores para instalar el otro conjunto de varilla de parada.

3. Liberación del pasador de bloqueo

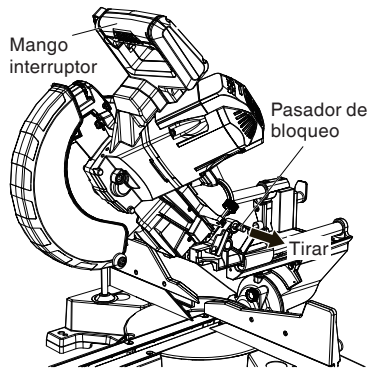


Fig. 6

Cuando la herramienta eléctrica esté preparada para transportarse, sus partes principales estarán aseguradas mediante el pasador de bloqueo.

Presione la empuñadura ligeramente hacia abajo y saque el pasador de bloqueo para desacoplar el cabezal de corte.

NOTA: Si baja ligeramente la empuñadura podrá desenganchar el pasador de bloqueo de forma más fácil y segura. La posición de bloqueo del pasador de bloqueo es solamente para transporte y almacenamiento.

4. Instalar la bolsa para el polvo y el tornillo de carpintero

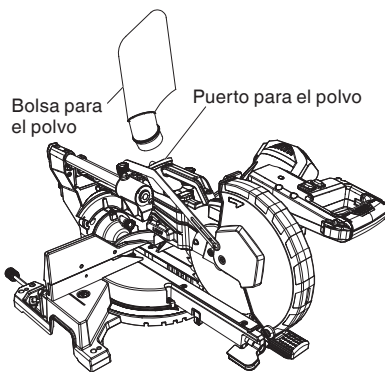


Fig. 7

Instale la bolsa para el polvo en el puerto para el polvo de la sierra para cortar ingletes. Acople el tubo de conexión de la bolsa para el polvo y el puerto para el polvo.

Para vaciar la bolsa para el polvo, saque el conjunto de la bolsa para el polvo del puerto para el polvo. Abra la cremallera de la parte inferior de la bolsa y vacíela en un contenedor de residuos. **Verifique frecuentemente y vacíe la bolsa para el polvo antes de que se llene.**

NOTA: La bolsa para el polvo debe ser colocada en ángulo hacia el lado derecho de la sierra para obtener los mejores resultados. Esto también evitará las interferencias durante la operación de la sierra.

⚠ PRECAUCIÓN: Vacíe frecuentemente la bolsa para el polvo para evitar que se atasquen el conducto y el revestimiento de protección inferior.

Durante el corte en bisel se acumulará más polvo de lo normal.

⚠ ADVERTENCIA: No utilice esta sierra para cortar y/o abrasar metales. Las partículas calientes o las chispas pueden hacer que se incendie el polvo de la bolsa.

(Acople el conjunto de tornillo de carpintero como se visualiza en las Fig. 1, Fig. 2 y Fig. 25.)

5. Almacenaje del cable de alimentación

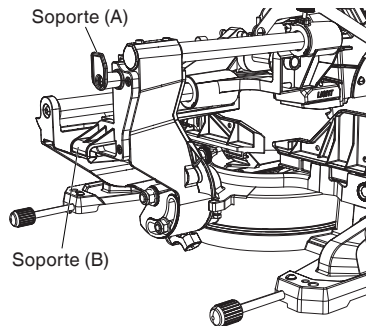


Fig. 8-a

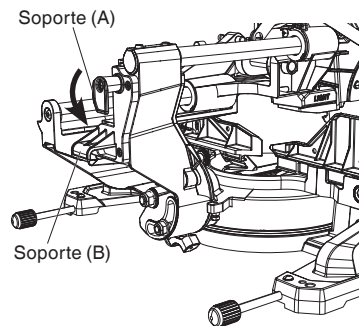


Fig. 8-b

Para comodidad y prevenir daños en el cable de alimentación cuando la sierra para cortar ingletes no está en uso o en transporte, hay dos soportes en el lado trasero del carro deslizante para enrollar el cable. (Fig. 8-a)

NOTA: Para liberar rápidamente el cable de alimentación, gire el soporte superior (A) 180°. Así se liberará el cable. (Fig. 8-b)

ANTES DE LA UTILIZACIÓN

1. Cerciórese de que la fuente de alimentación sea adecuada para la herramienta.

⚠ ADVERTENCIA: No conecte nunca la herramienta eléctrica a menos que la fuente de alimentación de CA disponible sea de la misma tensión que la especificada en la placa de características de dicha herramienta.
Nunca conecte esta herramienta eléctrica a una fuente de alimentación de CC.
2. Cerciórese de que el interruptor de disparo esté en OFF.

⚠ ADVERTENCIA: Si conectase el cable de alimentación en la fuente de alimentación con el interruptor de disparo en ON, la herramienta se pondría repentinamente en funcionamiento y podría causar un accidente serio.
3. Compruebe si la hoja de sierra posee defectos visibles.
Confirme que la hoja de sierra esté exenta de rajaduras y de otros defectos visibles.
4. Confirme que la hoja de sierra esté fijada con seguridad a la herramienta eléctrica.
Utilizando la llave de 13 mm suministrado, apriete el perno de 8 mm del huso de la hoja de sierra para asegurar ésta.
Con respecto a los detalles, consulte la Fig. 44-a, Fig. 44-b, Fig. 44-c y Fig. 44-d de la sección "MONTAJE Y DESMONTAJE DE LA HOJA DE SIERRA".

5. Compruebe si el revestimiento de protección inferior funciona adecuadamente.

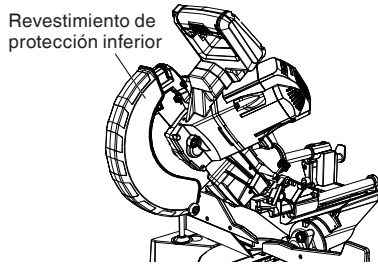


Fig. 9

El revestimiento de protección inferior está diseñado para evitar que el operador entre en contacto con la hoja de sierra cuando utilice la herramienta.

Compruebe siempre si el revestimiento de protección inferior se mueve suavemente y si cubre adecuadamente la hoja de sierra.

⚠ ADVERTENCIA: NO UTILICE NUNCA LA HERRAMIENTA ELÉCTRICA si el revestimiento de protección inferior no funciona suavemente.

6. Antes de utilizar la herramienta, confirme la posición del bloqueador del huso. Luego de instalar la hoja de sierra, confirme que el pasador de bloqueo haya vuelto a la posición liberada antes de usar la herramienta eléctrica (refiérase a la Fig. 2).
7. Compruebe el tomacorriente de CA.
Para evitar el recalentamiento, la parada accidental, o la operación intermitente, confirme que el enchufe del cable de alimentación esté firmemente insertado en el tomacorriente y que no se caiga después de haberlo insertado. Si el tomacorriente está defectuoso repare o reemplácelo.
8. Confirme que el cable de alimentación de la herramienta no esté dañado. Si el cable de alimentación está dañado, repare o reemplácelo.
9. Protección ocular
Siempre use protección ocular con protecciones laterales que cumpla con los requerimientos de la norma estándar ANSI Z87.1. Las gafas comunes no proporcionan la protección adecuada debido a que no contienen cristal de seguridad resistente a impactos.

⚠ ADVERTENCIA: Operar la herramienta sin usar la protección ocular correcta podría ocasionar lesiones severas.

10. Freno eléctrico
Esta herramienta está equipada con un freno eléctrico que comúnmente detiene la cuchilla en un tiempo de 5 segundos después de liberar el interruptor de activación. Ocasionalmente, se producirá un retraso al aplicarse el freno lo que podría ocasionar que el tiempo de parada de la cuchilla sea mayor. En raras ocasiones, el freno podría no aplicarse por completo y la hoja de sierra avanzará hasta la parada. Si el freno no se aplica frecuentemente, presione y suelte el interruptor de activación para encender y apagar la herramienta 4 o 5 veces. Si el freno aún no se activa, lleve la herramienta a revisión a un centro de servicio autorizado Hitachi. Siempre confirme que la hoja de sierra se haya detenido completamente antes de levantarla de la pieza de trabajo.

El freno no es sustituto del funcionamiento correcto de la protección inferior. Compruebe el funcionamiento de la protección inferior antes de cada uso. Lesiones personales severas pueden ocurrir si la protección inferior no se mueve suavemente y cubre la cuchilla correctamente.

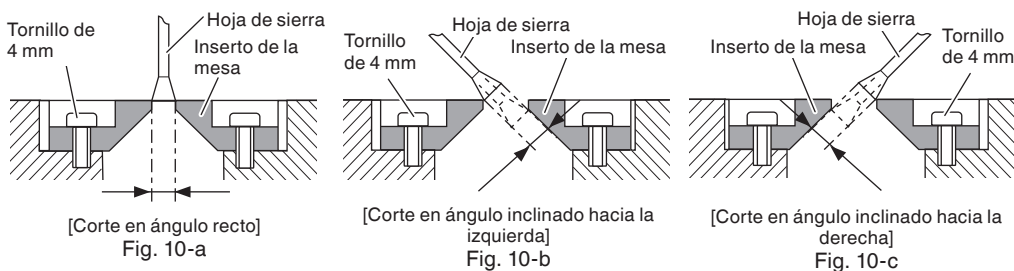
⚠ ADVERTENCIA: Tenga presente la reacción del cabezal del motor (Fig. 1) cuando se active freno. El frenado ocasiona que el cabezal del motor se mueva bruscamente hacia abajo y el usuario debe estar preparado para esta reacción, especialmente cuando se libera el interruptor de activación antes de que baje por completo la cuchilla. De no estar familiarizado ni preparado para su utilización, las características operacionales de la herramienta podrían ocasionar lesiones severas.

DESPUÉS DE HABER CONECTADO EL ENCHUFE DEL CABLE DE ALIMENTACIÓN EN UN TOMACORRIENTE DE CA APROPIADO, COMPRUEBE LA OPERACIÓN DE LA HERRAMIENTA DE LA FORMA SIGUIENTE:

11. Operación de prueba
Después de haber confirmado que no se ha olvidado de nada, ponga en funcionamiento la herramienta eléctrica, y confirme que no haya ninguna anomalía antes de intentar realizar la operación de corte.
12. Inspeccione la estabilidad de rotación de la hoja de sierra.
Para cortar con precisión, gire la hoja de sierra y compruebe la deflexión para confirmar que la hoja no esté inestable, ya que de lo contrario, podrían producirse vibraciones y ocurrir un accidente.

ANTES DEL CORTE

1. Ubicación del inserto de la mesa



Los insertos de la mesa se instalan en la mesa giratoria. Cuando la herramienta sale de la fábrica, los insertos de la mesa están fijados de forma que la hoja de sierra no entre en contacto con ellos. Las rebabas de la superficie inferior de la pieza de trabajo se reducirán notablemente si el inserto de la mesa está fijado de forma que la separación entre la superficie lateral del inserto de la mesa y la hoja de sierra sea mínima. Antes de utilizar la herramienta, elimine esta separación de acuerdo con el procedimiento siguiente-te.

(1) Corte en ángulo recto

Afloje los tres tornillos de 4 mm, seguidamente asegure el inserto de mesa del lado derecho y apriete temporalmente los tornillos para metales de 4 mm de ambos extremos. Luego fije una pieza de trabajo (aproximadamente 7-7/8" (200 mm) de ancho) con el conjunto de tornillo de banco y córtela. Tras alinear la superficie de corte con el borde del inserto de mesa, apriete firmemente los tornillos para metales de 4 mm de ambos extremos. Retire la pieza de trabajo y apriete firmemente el tornillo para metales central de 4 mm. Ajuste de la misma manera el inserto de mesa del lado derecho.

(2) Corte en bisel hacia la izquierda y la derecha

Ajuste el inserto de la mesa de la forma mostrada en la Fig. 10-b y Fig. 10-c siguiendo el mismo procedimiento que para el corte en ángulo recto.

⚠ PRECAUCIÓN: Después de haber ajustado el inserto de la mesa para el corte en ángulo recto, dicho inserto se cortará ligeramente si se utiliza para corte en bisel. Cuando se requiera la operación de corte en bisel, ajuste el inserto de la mesa para dicho corte.

2. Uso del tope secundario (A)

⚠ ADVERTENCIA: El tope secundario (A) debe ser extendido al realizar cualquier corte de bisel en ángulo derecho. No extender el tope secundario (A) no dejará espacio suficiente para que la hoja pase, lo que podría resultar en lesiones graves. En ángulos de inglete o bisel muy agudos, la hoja de sierra también podría contactar con el tope.

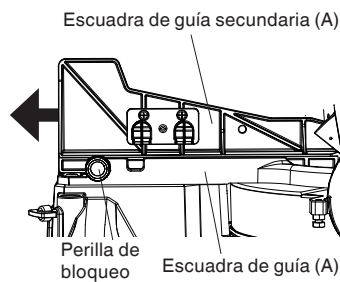


Fig. 11

Esta herramienta mecánica está equipada con una escuadra de guía secundaria (A).

En el caso de corte en ángulo directo y de corte en ángulo a bisel izquierdo, utilice la escuadra de guía secundaria (A). Esto le permitirá realizar un corte estable del material con una cara trasera ancha.

Al cortar en ángulo derecho, afloje la perilla de bloqueo y deslice el tope secundario (A) hacia fuera, como se muestra en la Fig. 11.

Al deslizar la escuadra de guía secundaria (A) hacia fuera, si no se dispone de espacio suficiente o la escuadra de guía secundaria (A) entra en contacto con otras partes de la herramienta, incluido el motor, extraiga por completo la escuadra de guía secundaria (A) de la escuadra de guía (A). Asegúrese también de quitar la perilla de bloqueo de la escuadra de guía (A).

NOTA: Al transportar la sierra, fije siempre el tope secundario (A) en la posición contraída y bloquéelo.

3. Uso del tope secundario (B)

⚠ ADVERTENCIA: El tope secundario (B) debe ser extendido al realizar cualquier corte de bisel en ángulo izquierdo. No extender el tope secundario (B) no dejará espacio suficiente para que la hoja pase, lo que podría resultar en lesiones graves. En ángulos de inglete o bisel muy agudos, la hoja de sierra también podría contactar con el tope.

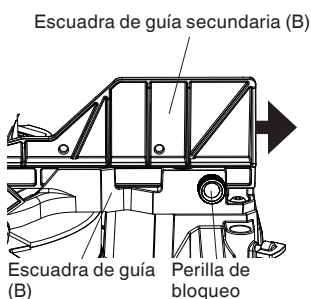


Fig. 12

Esta herramienta mecánica está equipada con una escuadra de guía secundaria (B). En el caso de corte en ángulo directo y de corte en ángulo a bisel derecho, utilice la escuadra de guía secundaria (B). Esto le permitirá realizar un corte estable del material con una cara trasera ancha. Al cortar en ángulo izquierdo, afloje la perilla de bloqueo y deslice el tope secundario (B) hacia fuera, como se muestra en la Fig. 12.

Al deslizar la escuadra de guía secundaria (B) hacia fuera, si no se dispone de espacio suficiente o la escuadra de guía secundaria (B) entra en contacto con otras partes de la herramienta, incluido el motor, extraiga por completo la escuadra de guía secundaria (B) de la escuadra de guía (B).

NOTA: Al transportar la sierra, fije siempre el tope secundario (B) en la posición contraída y bloquéelo.

4. Inmovilización de la pieza de trabajo

⚠ ADVERTENCIA: Sujete siempre la pieza de trabajo a la escuadra de guía, ya que de lo contrario podría salirse de la mesa y causar lesiones serias.

5. Sistema de carro deslizante

⚠ ADVERTENCIA: Para reducir el riesgo de lesión, devuelva el carro deslizante hasta la posición totalmente atrás después de cada operación de corte.

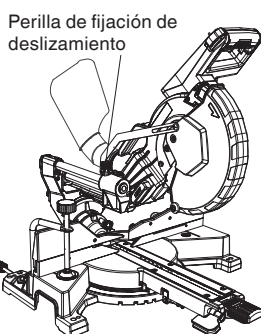


Fig. 13

Para operaciones de corte a trozos en piezas de trabajo pequeñas, deslice el conjunto del cabezal de corte completamente hacia la parte trasera de la unidad y apriete la perilla de fijación de deslizamiento.

Para cortar placas de hasta 305 mm, la perilla de fijación de deslizamiento debe ser aflojada para permitir que el cabezal de corte se deslice libremente.

6. Operación de la palanca de bloqueo rápido de leva

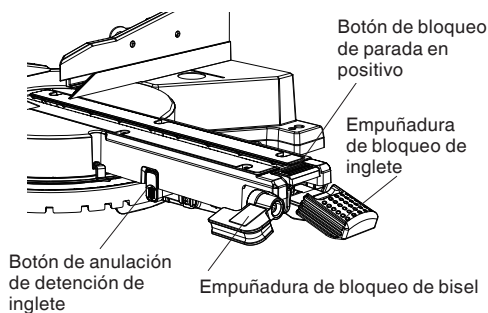


Fig. 14

Si los ángulos de inglete requeridos NO son una de las nueve paradas en positivo, la mesa para ingletes puede ser bloqueada en cualquier ángulo entre estas paradas en positivo utilizando el botón de bloqueo de parada en positivo y la empuñadura de bloqueo de inglete.

Desbloquee la mesa de inglete levantando la empuñadura de bloqueo de inglete, agarrando la empuñadura de bloqueo de inglete y presionando hacia abajo el botón de bloqueo de parada en positivo para mover la mesa

hasta el ángulo deseado, luego libere el botón de bloqueo de parada en positivo. Presione hacia abajo en la empuñadura de bloqueo de inglete para bloquear la mesa en posición.

7. Botón de anulación de detención de inglete (Fig. 14)

El botón de anulación de detención de inglete permite que la mesa sea microajustada, desactivando la función de paradas en positivo. Cuando un ángulo de inglete requerido está cerca de una parada de detención en positivo, esta anulación evita que la cuña del brazo de inglete se deslice hasta la ranura de detención de la base.

- (1) Desbloquee la mesa de inglete levantando la empuñadura de bloqueo de inglete.
- (2) Presione hacia abajo el botón de bloqueo de parada en positivo y presione el botón de anulación de detención de inglete. Luego, libere el botón de bloqueo de parada en positivo mientras presiona la anulación de detención de inglete. La anulación de inglete ya está activada.
- (3) Gire la mesa hasta el ángulo deseado, fije la mesa en el ángulo deseado presionando la empuñadura de bloqueo de inglete.
- (4) Para desacoplar el botón de anulación de detención de inglete, presione hacia abajo de nuevo en el botón de bloqueo de parada en positivo.

8. Ajuste de bisel en 90° (0°)

⚠ ADVERTENCIA: Para garantizar cortes precisos, la alineación debe ser verificada y los ajustes deben ser realizados antes del uso.

- (1) Afloje la empuñadura de bloqueo del bisel levantándola hacia arriba e inclinando el brazo de corte mientras presiona el pasador de ajuste (A) contra la parada de bisel en 0°; refiérase a las Fig. 15-a y 15-b. Apriete la empuñadura de bloqueo del bisel.
- (2) Coloque una herramienta combinada en la mesa de inglete con la regla contra la mesa y el talón de la herramienta combinada contra la hoja de sierra, como se visualiza en la Fig. 15-a.
- (3) Si la hoja no está en 0° con respecto a la mesa de inglete, afloje los tres pernos de ajuste en la parte trasera de la unidad con una llave de tuercas hexagonal de 4 mm, refiérase a la Fig. 15-c. Desbloquee la empuñadura de bloqueo de bisel y ajuste el brazo de corte en cero grados con respecto a la mesa. Una vez obtenida la alineación, apriete los tres pernos de ajuste y presione hacia abajo la empuñadura de bloqueo de bisel para fijar el cabezal de corte.

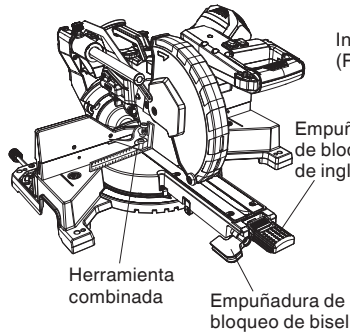


Fig. 15-a

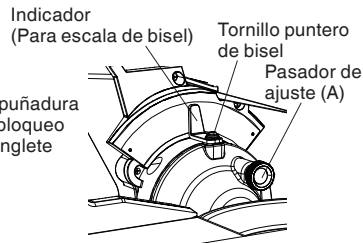


Fig. 15-b

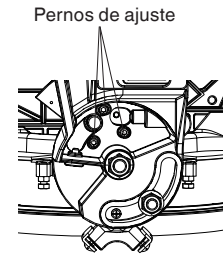


Fig. 15-c

9. Ajuste del indicador de 90° (para escala de bisel) (Fig. 15-b)

- (1) Cuando la hoja esté exactamente en 90° (0°) con respecto a la mesa, afloje el tornillo de puntero del bisel con un destornillador Phillips del número 2.
- (2) Ajuste el indicador en la marca "0" de la escala del bisel y apriete el tornillo de nuevo.

10. Ajuste de bisel izquierdo en 45°

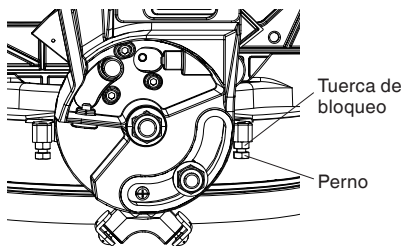


Fig. 16

- (1) Extienda por completo el tope secundario (B) totalmente hacia la izquierda, y tire del pasador de ajuste (A) hacia la parte frontal de la máquina.

NOTA: Al retraer el pasador de ajuste (A) podría ser necesario desplazar el conjunto de brazo superior de la sierra de inglete hacia la izquierda o la derecha para liberar la presión de retención.

- (2) Afloje la empuñadura de bloqueo del bisel e incline la carcasa de engranajes totalmente hacia la izquierda.
- (3) Utilizando una herramienta combinada, verifique si la hoja está en 45° con respecto a la mesa.
- (4) Para realizar el ajuste, incline la carcasa de engranajes a 0°, afloje la tuerca de bloqueo y gire el perno hacia dentro o hacia afuera para aumentar o reducir el ángulo como se visualiza en la Fig. 16.
- (5) Incline la carcasa de engranajes de nuevo hacia la izquierda, y verifique la alineación de nuevo.
- (6) Repita los pasos hasta que la hoja esté en 45° con respecto a la mesa. Una vez obtenida la alineación, apriete la tuerca de bloqueo y la empuñadura de bloqueo de bisel.

11. Ajuste de bisel derecho en 45°

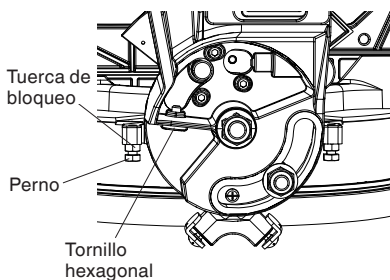


Fig. 17

- (1) Ajuste el ángulo de inglete en 0°. Extienda por completo el tope secundario (A) totalmente hacia la derecha, y tire del pasador de ajuste (B) hacia la parte frontal de la máquina.

NOTA: Al retraer el pasador de ajuste (A) podría ser necesario desplazar el conjunto de brazo superior de la sierra de inglete hacia la izquierda o la derecha para liberar la presión de retención.

- (2) Afloje la empuñadura de bloqueo del bisel e incline la carcasa de engranajes totalmente hacia la derecha.
- (3) Utilizando una herramienta combinada, verifique si la hoja está en 45° con respecto a la mesa.
- (4) Para realizar el ajuste, incline la carcasa de engranajes a 0°, afloje la tuerca de bloqueo y gire el perno hacia dentro o hacia afuera para aumentar o reducir el ángulo como se visualiza en la Fig. 17.
- (5) Incline el brazo de corte de nuevo hacia la derecha, y verifique la alineación de nuevo.
- (6) Repita los pasos hasta que la hoja esté en 45° con respecto a la mesa. Una vez obtenida la alineación, apriete la tuerca de bloqueo y la empuñadura de bloqueo de bisel.

12. Ajuste de bisel izquierdo y derecho en 33.9°

- (1) Ajuste el ángulo de inglete en 0°. Despliegue por completo los dos topes secundarios (A, B).
- (2) Afloje la empuñadura de bloqueo de bisel, e incline la carcasa de engranajes hasta la parada en positivo de bisel derecho en 33.9° empujando el pasador de ajuste (A) hacia la parte trasera de la máquina.
- (3) Utilizando una herramienta combinada, verifique si la hoja está en 33.9° con respecto a la mesa.
- (4) Para ajustar, gire el tornillo hexagonal hacia dentro o hacia fuera con una llave de tuercas de 3 mm hasta que la hoja esté en 33.9° con respecto a la mesa.
- (5) Repita los pasos anteriores y gire el tornillo hexagonal para el ajuste de bisel izquierdo en 33.9°.

13. Ajuste del ángulo de inglete

La escala de sierra de inglete compuesta puede ser leída fácilmente; en ella se muestran ángulos de inglete de 0° a 48° hacia la izquierda y la derecha. La mesa de la sierra de inglete tiene nueve de los ajustes de ángulo más comunes con paradas en positivo en 0°, 15°, 22.5°, 31.6° y 45°. Estas paradas en positivo sitúan la hoja en el ángulo deseado de una forma rápida y precisa. Siga el proceso indicado a continuación para lograr los ajustes más rápidos y precisos.

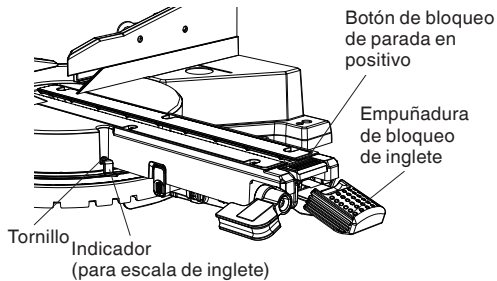


Fig. 18

Ajustar los ángulos de inglete:

- (1) Levante la empuñadura de bloqueo de inglete para desbloquear la mesa.
- (2) Mueva la tabla mientras presiona hacia abajo el botón de bloqueo de parada en positivo para alinear el puntero con la medición de grados deseada.
- (3) Bloquee la tabla en posición presionando hacia abajo la empuñadura de bloqueo de inglete.

Ajuste del indicador (para escala de inglete):

- (1) Mueva la mesa hasta la parada en positivo en 0°.
- (2) Afloje el tornillo que retiene el indicador (para escala de inglete) con un destornillador Phillips.
- (3) Ajuste el puntero en la marca de 0° y apriete el tornillo de nuevo.

14. Ajuste de la profundidad de corte

El desplazamiento de profundidad máximo del cabezal de corte fue ajustado en la fábrica.

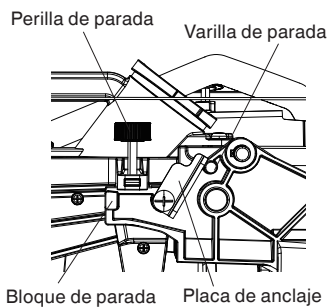


Fig. 19-a

- (1) Para ajustar el desplazamiento de ancho máximo del cabezal de corte, siga los pasos indicados a continuación: (Fig. 19-a)

Gire la perilla de parada hacia la izquierda hasta que no sobresalga del bloque de parada mientras mueve el cabezal de corte hacia arriba.

Rote la placa de anclaje hacia la derecha hasta que entre en contacto con la varilla de parada.

Verifique de nuevo la profundidad de la hoja moviendo el cabezal de corte de delante hacia atrás por todo el movimiento de un corte típico a lo largo del brazo de control.

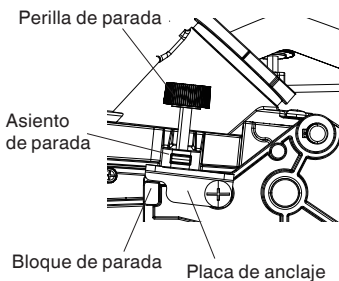


Fig. 19-b

- (2) Para ajustar el desplazamiento de altura máximo del cabezal de corte, siga los pasos indicados a continuación: (Fig. 19-b)

Gire la perilla de parada hacia la izquierda hasta que no sobresalga del bloque de parada mientras mueve el cabezal de corte hacia arriba.

Rote la placa de anclaje hacia la izquierda hasta que entre en contacto con el asiento de parada.

Asegúrese de que el bloque de parada contacta por completo con la placa de anclaje.

15. Ajuste de la profundidad de corte (Fig. 19-b)

La profundidad de corte puede ser preestablecida para cortes profundos homogéneos y repetitivos.

- (1) Ajuste el cabezal de corte hacia abajo hasta que los dientes de la hoja estén en la profundidad deseada.
- (2) Mientras mantiene el brazo superior en dicha posición, gire la perilla de parada hasta que entre en contacto con la placa de anclaje.
- (3) Verifique de nuevo la profundidad de la hoja moviendo el cabezal de corte de delante hacia atrás por todo el movimiento de un corte típico a lo largo del brazo de control.

NOTA: Si la placa de anclaje se afloja, puede interferir con la subida y bajada del cabezal de corte. La placa de anclaje debe ser apretada en posición horizontal como se visualiza en la Fig. 19-b.

16. La guía láser

⚠ ADVERTENCIA: * Para su propia seguridad, nunca conecte la clavija en el tomacorriente hasta que todos los pasos de ajuste hayan sido realizados y usted haya leído y comprendido todas las instrucciones de seguridad y operacionales.

* Su herramienta está equipada con una guía láser de Clase IIIa. La guía láser le permite previsualizar la trayectoria de la hoja de sierra sobre la pieza de trabajo que va a ser cortada antes de poner en marcha la sierra para cortar ingletes. Esta guía láser se alimenta mediante suministro de corriente alterna transformada directamente a través del cable de alimentación. La sierra debe ser conectada a la fuente de alimentación y el interruptor de encendido/apagado del láser debe estar encendido para que la línea del láser se visualice.

- (1) Evite contacto visual directo

⚠ ADVERTENCIA: * Cuando se enciende la guía láser se radia láser. Evite el contacto ocular directo.

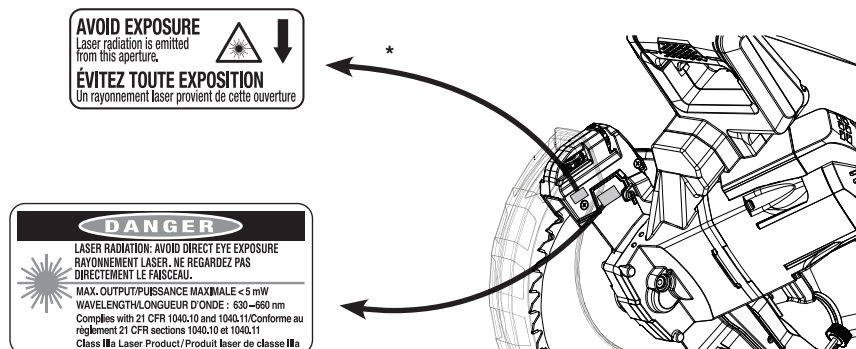


Fig. 20

- ⚠ PRECAUCIÓN:** * El uso de controles, ajustes o la ejecución de procedimientos puede resultar en exposición a radiación peligrosa.
* El uso de instrumentos ópticos con este producto aumentará el riesgo para la vista.

⚠ ADVERTENCIA: No intente reparar o desmontar el láser. Si personas no calificadas intentan reparar este producto láser, pueden producirse lesiones graves. Cualquier reparación requerida en este producto láser debe ser realizada por un distribuidor de servicios cualificado.

(2) Verificación de la alineación de la línea láser

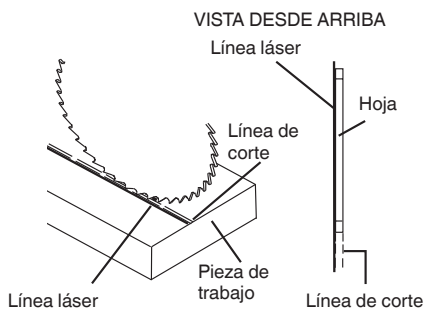


Fig. 21

- Ajuste la sierra en un inglete de 0° y un bisel de 0° .
- Utilice una herramienta combinada para marcar un ángulo de 90° a lo largo de la parte superior e inferior de la parte frontal de un tablero. Esta línea servirá como línea de patrón para ajustar el láser. Coloque la tabla en la mesa de la sierra.
- Baje con cuidado el cabezal de la sierra para alinear la hoja de sierra con la línea de patrón. Coloque la hoja de sierra en el lado izquierdo de la línea patrón, dependiendo de su preferencia para la ubicación de la línea láser. Bloquee el tablero en su sitio con la sujeción de retención.
- Con la sierra conectada, encienda la guía láser. Su sierra ha sido preestablecida con la línea láser en el lado izquierdo de la hoja.

⚠ ADVERTENCIA: Cuando realice ajustes de la línea láser, mantenga los dedos alejados del interruptor del gatillo de encendido/apagado para prevenir arranques accidentales y posibles lesiones graves.

- Deslice el cabezal de corte hacia delante lo suficiente como para que la línea láser esté visible en la parte delantera del tablero.
- Mientras mira el frontal del tablero, si la línea láser no está en paralelo con la línea patrón, siga las instrucciones indicadas a continuación debajo del párrafo "Línea frontal".
- Mientras mira la parte superior del tablero, si la línea láser no está en paralelo con la línea patrón, siga las instrucciones indicadas a continuación debajo del párrafo "Línea superior".

NOTA: Si la línea láser no es visible en la parte frontal de un tablero, baje el cabezal de corte hasta que la línea láser sea visible.

(3) Ajuste de la posición de la línea láser

Línea frontal

Si la línea láser está en ángulo con respecto a la línea patrón del lado frontal, gire la perilla de ajuste vertical del láser hacia la derecha para alinear la línea láser en paralelo con la línea patrón. (Fig. 22- b)

Línea superior

Si la línea láser está en ángulo con respecto a la línea patrón del lado superior, gire la perilla de ajuste horizontal del láser para alinear la línea láser en paralelo con la línea patrón. (Fig. 22- c)

NOTA: Cuando ajuste la línea frontal y la línea superior, girar la perilla de ajuste demasiado hará que el láser se refleje en la hoja de la sierra y produzca dos líneas láser.

NOTA: Tras realizar los ajustes anteriores, verifique visualmente que tanto la línea láser frontal como la superior están en paralelo con la línea patrón.

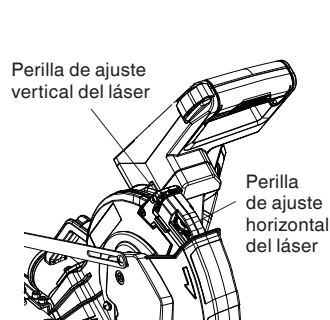


Fig. 22-a

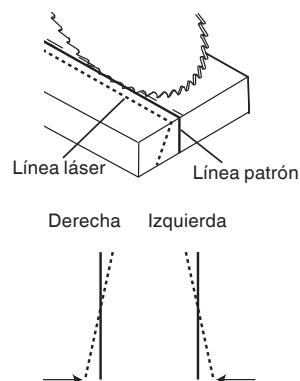


Fig. 22-b

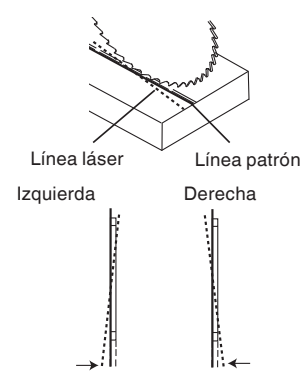


Fig. 22-c

APLICACIONES PRÁCTICAS

⚠ ADVERTENCIA: * Para evitar lesiones, no quite ni remplace nunca la pieza de trabajo sobre la mesa mientras la herramienta esté en funcionamiento.

* No coloque nunca sus miembros dentro de la línea cerca del signo de advertencia mientras esté utilizando la herramienta. Esto podría resultar peligroso (consulte la Fig. 23).

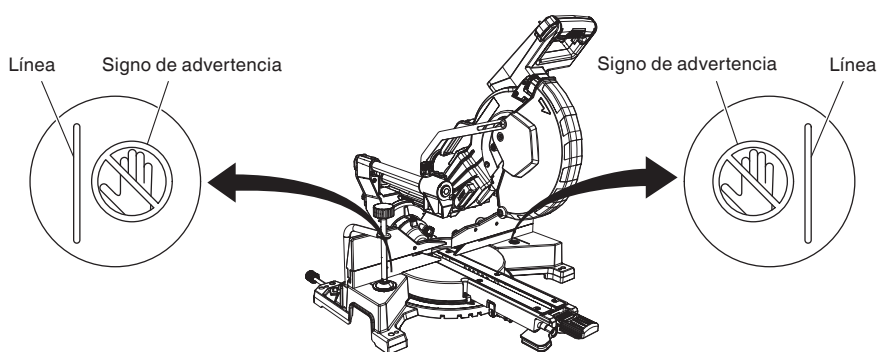


Fig. 23

1. Operación de conmutación

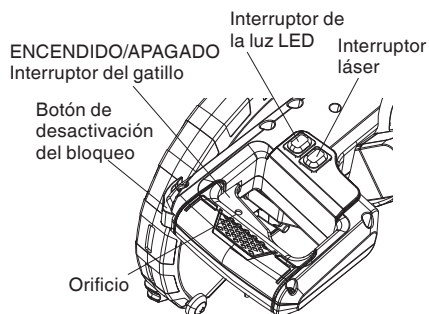


Fig. 24

- (1) Encendido de la sierra
La sierra de inglete está equipada con un interruptor del gatillo de encendido/apagado (2). Con el botón de desactivación de bloqueo presionado, apriete el interruptor del gatillo para encender la sierra de inglete. Suelte el interruptor del gatillo para apagar la sierra.
- (2) Encendido de la guía láser/luz LED
Presione el interruptor del láser para encenderlo, y presiónelo de nuevo para apagarlo. Presione el interruptor de la luz LED para encenderla, y presiónelo de nuevo para apagarla.

⚠ ADVERTENCIA: Proteja el interruptor de encendido/apagado a prueba de niños. Inserte un candado, o una cadena con candado, a través del orificio del gatillo y bloquee el interruptor de la herramienta, para evitar que niños y otros usuarios no cualificados enciendan la máquina.

2. Utilización del conjunto de tornillo de carpintero (Accesorio estándar)

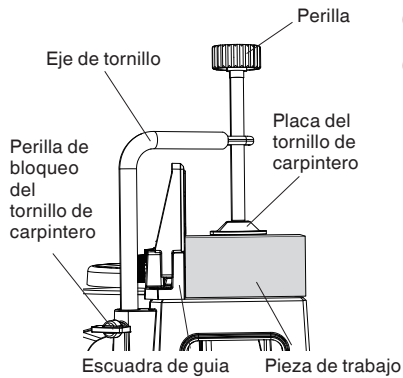


Fig. 25

- (1) La prensa de tornillo se puede colocar sobre la base.
- (2) Gire la perilla superior y fije firmemente la pieza de trabajo en su lugar (Fig. 25).

⚠ ADVERTENCIA: Siempre sujete firmemente la pieza de trabajo a la escuadra de guía, ya que de lo contrario podría salirse de la mesa y causar lesiones serias.

3. Operación de corte

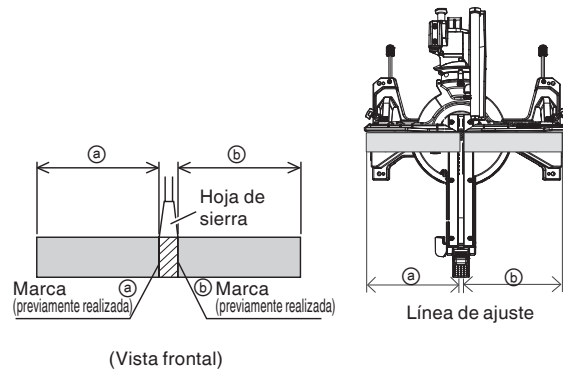


Fig. 26

- (1) Como se muestra en la Fig. 26, la anchura de la hoja de sierra es la de corte. Por lo tanto, deslice la pieza de trabajo hacia la derecha (vista desde la posición del operador) cuando desee la longitud (b), o hacia la izquierda cuando desee la longitud (a). Si se utiliza un marcador láser, alinee la línea de láser con el lado derecho de la hoja de sierra, y luego alinee la línea de tinta con la línea de láser.

- (2) Cuando la hoja de sierra haya alcanzado la velocidad máxima, empuje cuidadosamente hacia abajo la empuñadura hasta que la hoja de sierra se acerque a la pieza de trabajo.
- (3) Cuando la hoja de sierra haya entrado en contacto con la pieza de trabajo, empuje gradualmente hacia abajo la empuñadura para cortar dicha pieza.
- (4) Después de haber cortado la pieza de trabajo con la profundidad deseada, desconecte la alimentación de la herramienta eléctrica y deje que la hoja de sierra se pare completamente antes de levantar la empuñadura de la pieza de trabajo para devolverla a su posición de completamente retraída.

⚠ PRECAUCIÓN: El aumento de la presión sobre la empuñadura no aumentará la velocidad de corte. Por el contrario, la presión excesiva puede resultar en sobrecarga del motor y/o en reducción de la eficacia de corte.

⚠ ADVERTENCIA:

- * Cuando no vaya a utilizar la herramienta, confirme que el interruptor de disparo esté en OFF y de que el enchufe del cable de alimentación esté desconectado del tomacorriente.
- * Siempre desconecte la alimentación y deje que la hoja de sierra se detenga completamente antes de levantar la empuñadura de la pieza de trabajo.

Si se levantara la empuñadura mientras está girando la hoja de sierra, la pieza de corte podría atascarse contra la hoja de sierra y los fragmentos del material podrían salir despedidos, con el consiguiente peligro.

- * Cada vez que finaliza una operación de corte o de corte de profundidad, desactive el interruptor de disparo, y compruebe que la hoja de sierra se encuentra detenida. Luego levante la empuñadura, y colóquela en la posición de retracción total.
- * Cerciérese de retirar el material de corte de la parte superior de la mesa giratoria, y luego realice el paso siguiente.
- * Una operación de corte continua podrá provocar la sobrecarga del motor. Toque el motor y, si está caliente, detenga la operación de corte y descanse durante 10 minutos aproximadamente. A continuación, inicie la operación de corte de nuevo.

4. Corte de piezas de trabajo anchas (Corte con deslizamiento)

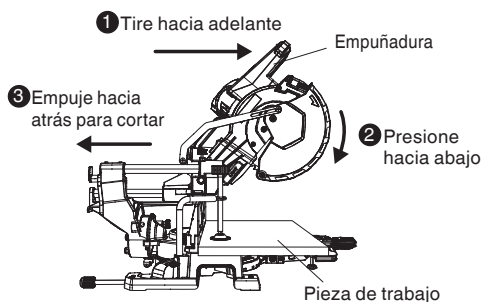


Fig. 27

(1) Piezas de trabajo de hasta 3-1/2" (89 mm) de altura y 11-1/2" (292 mm) de anchura: Afloje la perilla de inmovilización de deslizamiento (consulte la Fig. 1), sujete la empuñadura, y deslice la hoja de sierra hacia adelante.

A continuación, presione hacia abajo la empuñadura y deslice la hoja de sierra hacia atrás para cortar la pieza de trabajo como se indica en la Fig. 27. Esto facilitará el corte de piezas de trabajo de hasta 3-1/2" (89 mm) de altura y 11-1/2" (292 mm) de anchura.

(2) Piezas de trabajo de hasta 2-1/2" (64 mm) de altura y 12-1/2" (318 mm) de anchura: Las piezas de trabajo con una altura de hasta 2-1/2" (64 mm) y una anchura de hasta 12-1/2" (318 mm) pueden ser cortadas de la misma manera que se describe en el párrafo 4-(1) anterior en la página 112.

⚠ PRECAUCIÓN: * Si presiona la empuñadura con excesiva fuerza vertical o lateral, la hoja de sierra puede vibrar durante la operación de corte y causar marcas indeseadas en la pieza de trabajo reduciendo, de esta forma, la calidad del corte.

Por consiguiente, presione suave y cuidadosamente la empuñadura.

* En el corte deslizable, presione suavemente la empuñadura hacia atrás (separándose del operador) con una operación única y uniforme.

Si parase el movimiento de la empuñadura durante el corte, se producirían marcas de corte indeseadas en la pieza de trabajo.

⚠ ADVERTENCIA: * Para el corte deslizable, siga los procedimientos indicados en la Fig. 27 anterior.

El corte deslizable hacia adelante (hacia el operador) es muy peligroso porque la hoja de sierra puede salir despedida de la pieza de trabajo. Por lo tanto, deslice siempre la empuñadura alejándola de usted mismo.

* Devuelva siempre el carro a la posición completamente posterior después de cada operación de corte en cruza fin de reducir el riesgo de lesiones.

* Nunca coloque su mano en la empuñadura lateral durante la operación de corte, porque la hoja de sierra se acerca a la empuñadura de bloqueo de inglete cuando se baja el cabezal del motor.

5. Procedimientos de corte de bisel

⚠ ADVERTENCIA: Los topes secundarios deben ser extendidos al realizar cualquier corte de bisel. No extender los topes secundarios no dejará espacio suficiente para que la hoja pase, lo que podría resultar en lesiones graves. En ángulos de inglete o bisel muy agudos, la hoja de sierra también podría contactar con el tope.

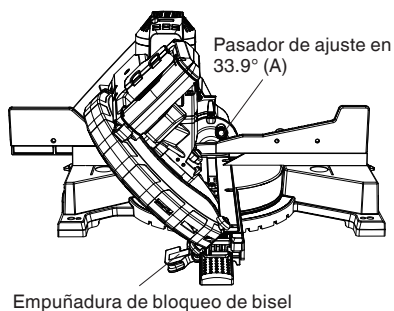
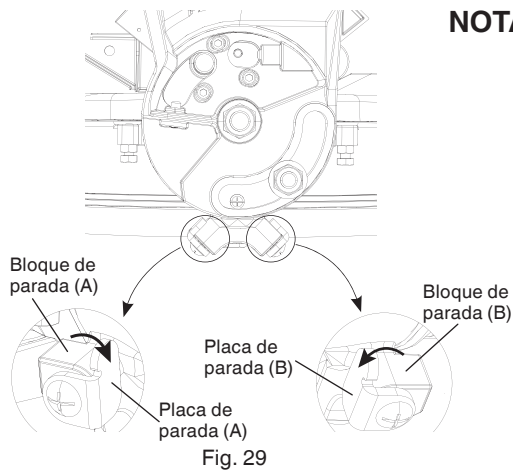


Fig. 28

- (1) Cuando sea necesario un corte de bisel, afloje la empuñadura de bloqueo de bisel.
- (2) Incline el cabezal de corte al ángulo deseado mientras tira del pasador de ajuste (A), como se muestra en la escala de bisel.
- (3) La hoja puede ser colocada en cualquier ángulo, desde un corte recto en 90° (0° en la escala) hasta un corte en 45°. Apriete la empuñadura de bloqueo del bisel para bloquear el cabezal de corte en posición. Se proveen paradas en positivo en 0°, 33.9° y 45°.

NOTA: La sierra incluye un pasador de ajuste de 33.9° (A) para configurar cortes de moldeo en corona cuando el ángulo de las paredes es igual a 90°.

- (4) Encienda la guía láser y coloque la pieza de trabajo sobre la mesa para la alineación previa de su corte.



NOTA: Si se necesita bisel izquierdo en 48°, deslice la placa de parada de bisel (A) hacia la derecha lejos del bloque de parada (A) para lograr el bisel izquierdo en 48°.

Si se necesita bisel derecho en 48°, deslice la placa de parada de bisel (B) hacia la izquierda lejos del bloque de parada (B) para lograr el bisel derecho en 48°.

Utilice además la placa de anclaje. (Refiérase a la Fig. 19-b)

⚠ ADVERTENCIA: Cuando la pieza de trabajo esté asegurada en la parte izquierda o derecha de la hoja de sierra, la parte de corte corto entrará en contacto con el resto de la parte derecha o izquierda de dicha hoja. Desconecte siempre la alimentación y deje que la hoja de sierra se pare completamente antes de levantar le empuña dura de la pieza de trabajo.

Si levanta la empuñadura mientras la hoja de sierra está girando, la pieza de corte puede atascarse contra la hoja de sierra haciendo que se esparzan peligrosamente virutas.

Cuando pare en la mitad la operación de corte en bisel, comience a cortar después de haber devuelto la cabeza del motor hasta la posición inicial.

Si comenzase en el medio, sin haber tirado hacia atrás, el revestimiento de protección inferior podría quedar enganchada en la ranura de corte de la pieza de trabajo y entrar en contacto con la pieza de trabajo.

⚠ PRECAUCIÓN: * Si no apretase firmemente la cabeza del motor podría mover o deslizarse repentinamente y causar lesiones. Cerciórese de apretar suficientemente la sección de la cabeza del motor para que no se mueva.

*** Siempre verifique que la empuñadura de bloqueo de bisel está fijada y el cabezal del motor está sujeto. Si intentase cortar en ángulo sin inmovilizar la cabeza del motor, ésta podría desplazarse inesperadamente y causar lesiones.**

6. Pasador de ajuste de 33.9° (A) para moldeados de corona (Fig. 28)

- (1) Empuje el pasador de ajuste del bisel (A) hacia la parte trasera de la máquina.
- (2) Afloje la empuñadura de bloqueo del bisel.
- (3) Incline el cabezal de corte hasta que el pasador de ajuste (A) pare el ángulo de bisel a 33.9° sobre la escala del bisel.
- (4) Apriete la empuñadura de bloqueo del bisel para bloquear el cabezal de corte en posición. (refiérase a la Fig. 28)

7. Procedimientos de corte de inglete

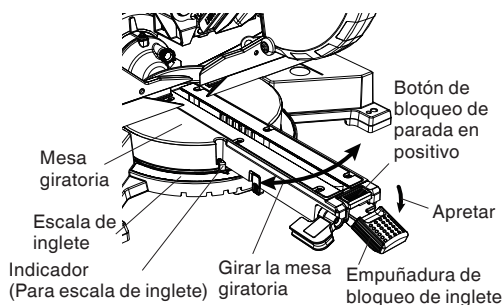


Fig. 30

- (1) Desbloquee la mesa de inglete levantando la empuñadura de bloqueo de inglete.
- (2) Mientras presiona hacia abajo en el botón de bloqueo de parada en positivo, agarre la empuñadura de bloqueo de inglete y rote la mesa a izquierda o derecha hasta el ángulo deseado.
- (3) Una vez logrado el ángulo de inglete deseado, suelte el botón de bloqueo de parada en positivo y presione hacia abajo la empuñadura de bloqueo de inglete para fijar la mesa en su sitio.

- (4) Si el ángulo de inglete deseado NO es una de las nueve paradas en positivo indicadas debajo, consulte la sección del botón de anulación de detención de inglete en la página 103.
- (5) Encienda la guía láser y coloque la pieza de trabajo sobre la mesa para la alineación previa de su corte.

⚠ PRECAUCIÓN: Siempre verifique que la empuñadura de bloqueo de inglete está fijada y la mesa giratoria está sujeta. Si intenta realizar un corte en ángulo sin fijar la mesa giratoria, ésta puede moverse de forma inesperada y provocar lesiones.

NOTA: * En las posiciones hacia la derecha y la izquierda existen paradas a 0°, centro, 15°, 22.5°, 31.6°, y 45°. Compruebe que la escala de ingletes y la punta del indicador estén adecuadamente alineadas.

* La operación de la sierra con la escala y el indicador de inglete no alineados resultará en una precisión de corte deficiente.

8. Procedimientos de corte compuesto

Se puede realizar corte compuesto siguiendo las instrucciones de 5 a 7 anteriores. Para conocer las dimensiones máximas de corte compuesto, refiérase a la tabla "ESPECIFICACIONES" de la página 94.

⚠ PRECAUCIÓN: Asegure siempre la pieza de trabajo con la mano derecha o izquierda y córtela deslizando la parte redonda de la sierra hacia atrás con la mano izquierda.

Es muy peligroso girar la mesa giratoria hacia la izquierda durante el corte compuesto porque la hoja de sierra puede entrar en contacto con la mano que esté asegurando la pieza de trabajo.

En caso de corte compuesto (ángulo + bisel) mediante bisel izquierdo, extienda el tope secundario (B) por completo antes de la operación de corte.

En caso de corte compuesto (ángulo + bisel) mediante bisel derecho, extienda el tope secundario (B) por completo antes de la operación de corte.

Confirme que el tope secundario (A) (B) no interfiere con otras partes antes de intentar el corte compuesto. Si hay alguna interferencia, quite el tope secundario (A) o (B).

9. Procedimientos de corte con moldura en vértice

En la Fig. 31 se muestran los tipos de moldura en vértice con ángulos de (θ) 38° y 45°.

Con respecto a las molduras en vértice típicas, consulte la Fig. 32.

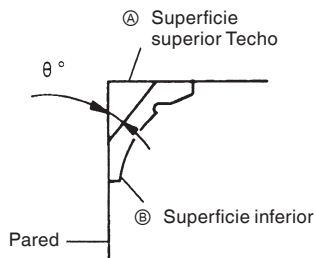


Fig. 31

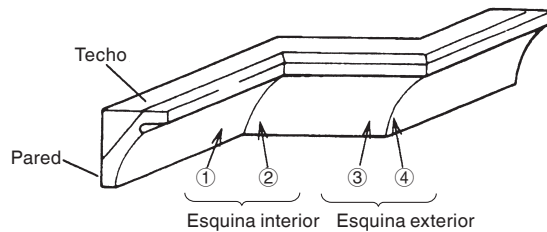


Fig. 32

En la tabla siguiente se muestran los ajustes de ángulo de ingletes y de corte en bisel para los dos tipos de moldura en el vértice.

NOTA: Por motivos de comodidad, existen posiciones con parada para los ajustes de corte de ingletes (izquierda y derecha de 31.6°).

Para el ajuste de corte de ingletes

Si la mesa giratoria se ha ajustado en cualquiera de los ángulos descritos, mueva la mesa giratoria ajustando la empuñadura de bloqueo de inglete ligeramente hacia la derecha y la izquierda para estabilizar la posición, y para alinear correctamente la escala de ángulo de inglete y la punta del indicador antes de que comience la operación.

Para el ajuste del corte en bisel

Apriete la empuñadura de bloqueo de bisel y verifique que la posición es estable y que la escala de ángulo de bisel y la punta del indicador están correctamente alineadas. A continuación, apriete la palanca de sujeción.

Tipo de moldura en vértice	Para procesar la moldura en vértices en las posiciones ① y ④ de la Fig. 32.		Para procesar la moldura en vértices en las posiciones ② y ③ de la Fig. 32	
	Ajuste del ángulo de ingletes	Ajuste del ángulo de corte en bisel	Ajuste del ángulo de ingletes	Ajuste del ángulo de corte en bisel
Tipo de 45°	35.3° hacia la derecha	30° hacia la izquierda	35.3° hacia la izquierda	30° hacia la izquierda
Tipo de 38°	31.6° hacia la derecha	33.9° hacia la izquierda	31.6° hacia la izquierda	33.9° hacia la izquierda

(1) Ajuste para cortar molduras en vértice a las posiciones ① y ④ de la Fig. 32 (consulte la Fig. 33, incline la cabeza hacia la izquierda):

① Gire la mesa giratoria hacia la derecha y ajuste el ángulo de ingletes de la forma siguiente:

- * Para molduras en vértice de tipo de 45°: 35.3°
- * Para molduras en vértice de tipo de 38°: 31.6°

② Incline la cabeza hacia la izquierda y ajuste el ángulo de corte en bisel de la forma siguiente:

- * Para molduras en vértice de tipo de 45°: 30°
- * Para molduras en vértice de tipo de 38°: 33.9°

③ Coloque la moldura en el vértice de forma que la superficie superior (A de la Fig. 31) entre en contacto con la escuadra de guía como se indica en la Fig. 35.

(2) Ajuste para cortar molduras en vértice a las posiciones ② y ③ de la Fig. 32 (consulte la Fig. 34, incline la cabeza hacia la izquierda):

① Gire la mesa giratoria hacia la derecha y ajuste el ángulo de ingletes de la forma siguiente:

- * Para molduras en vértice de tipo de 45°: 35.3°
- * Para molduras en vértice de tipo de 38°: 31.6°

② Incline la cabeza hacia la izquierda y ajuste el ángulo de corte en bisel de la forma siguiente:

- * Para molduras en vértice de tipo de 45°: 30°
- * Para molduras en vértice de tipo de 38°: 33.9°

③ Coloque la moldura en el vértice de forma que la superficie superior (B de la Fig. 31) entre en contacto con la escuadra de guía como se indica en la Fig. 36.

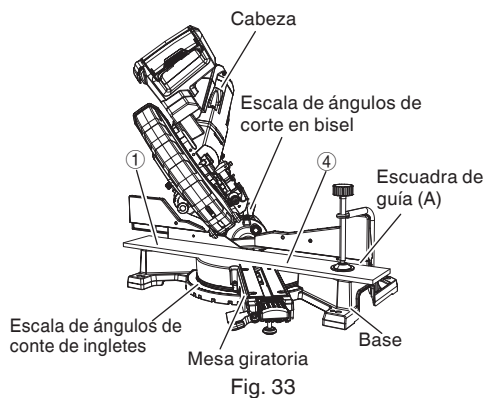


Fig. 33

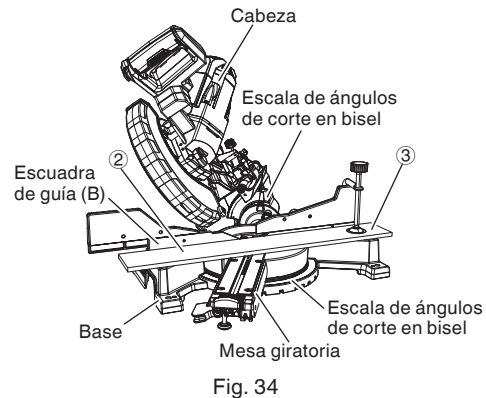


Fig. 34

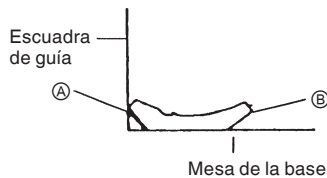


Fig. 35

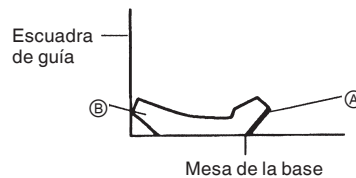


Fig. 36

(3) Ajuste para cortar molduras en vértice a los posiciones ① y ④ de la Fig. 32 (consulte la Fig. 37, incline la cabeza hacia la derecha):

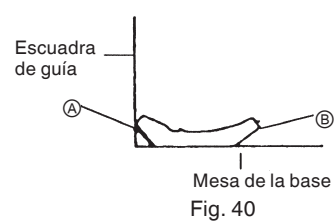
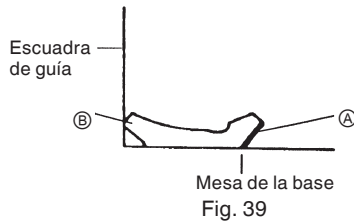
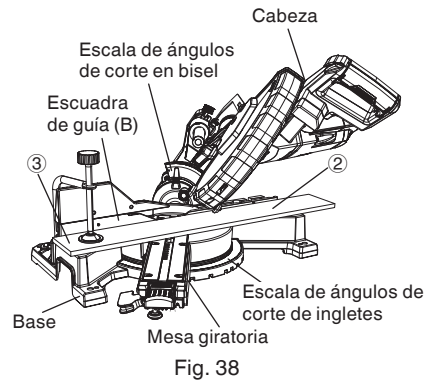
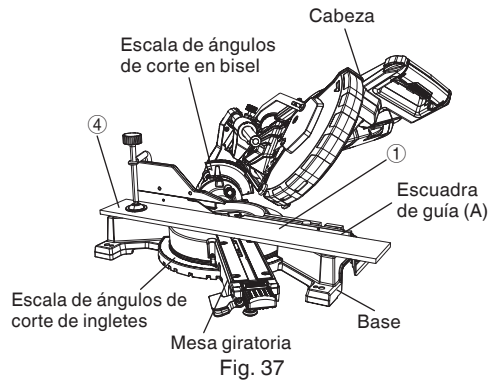
- ① Gire la mesa giratoria hacia la derecha y ajuste el ángulo de ingletes de la forma siguiente:
 - * Para molduras en vértice de tipo de 45°: 35.3°
 - * Para molduras en vértice de tipo de 38°: 31.6°
- ② Incline la cabeza hacia la izquierda y ajuste el ángulo de corte en bisel de la forma siguiente:
 - * Para molduras en vértice de tipo de 45°: 30°
 - * Para molduras en vértice de tipo de 38°: 33.9°

- ③ Coloque la moldura en el vértice de forma que la superficie superior (B de la Fig. 31) entre en contacto con la escuadra de guía como se indica en la Fig. 39.

(4) Ajuste para cortar molduras en vértice a los posiciones ② y ③ de la Fig. 32 (consulte la Fig. 38, incline la cabeza hacia la derecha):

- ① Gire la mesa giratoria hacia la derecha y ajuste el ángulo de ingletes de la forma siguiente:
 - * Para molduras en vértice de tipo de 45°: 35.3°
 - * Para molduras en vértice de tipo de 38°: 31.6°
- ② Incline la cabeza hacia la izquierda y ajuste el ángulo de corte en bisel de la forma siguiente:
 - * Para molduras en vértice de tipo de 45°: 30°
 - * Para molduras en vértice de tipo de 38°: 33.9°

- ③ Coloque la moldura en el vértice de forma que la superficie superior (A de la Fig. 31) entre en contacto con la escuadra de guía como se indica en la Fig. 40.



⚠ ADVERTENCIA: Siempre asegure firmemente la moldura en vértice a la escuadra de guía; de lo contrario, la misma podría zafarse de la mesa y producir lesiones.

10. Procedimientos de corte de ranuras

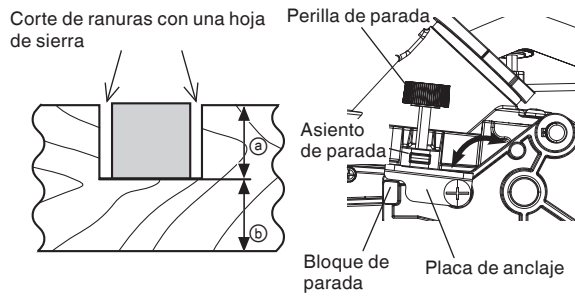


Fig. 41

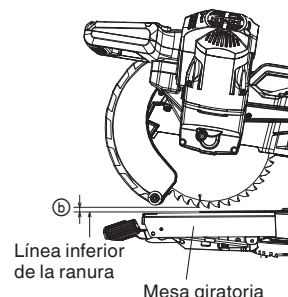


Fig. 42

Se pueden cortar ranuras en la pieza de trabajo como se indica en la Fig. 41 ajustando la perilla de parada.

Procedimiento de ajuste de la profundidad de corte:

- (1) Gire la placa de anclaje en la dirección mostrada en la Fig. 42. Baje la cabeza del motor y gire la perilla de parada con la mano. (Donde la cabeza de la perilla de parada entra en contacto con la placa de anclaje.)

- (2) Ajuste la profundidad de corte deseada regulando la distancia entre la hoja de sierra y la superficie de la mesa giratoria (consulte ⑥ de la Fig. 42).

NOTA: Cuando corte una sola ranura en cualquier extremo de la pieza de trabajo, quite la parte innecesaria con un formón.

11. Corte fácil de materiales deformados, tales como vidrieras corredizas de aluminio
Los materiales tales como vidrieras corredizas de aluminio pueden deformarse fácilmente si se aprietan demasiado con el conjunto de tornillo de carpintero. Esto causará el corte ineficaz y posiblemente la sobrecarga del motor.

Cuando corte tales materiales, utilice un tablón de madera para proteger la pieza de trabajo como se muestra en la Fig. 43-a. Coloque la tabla de madera cerca de la sección de corte. Cuando corte materiales de aluminio, recubra la hoja de sierra con aceite para corte (no consumible) a fin de lograr un corte uniforme y un acabado fino.

Asimismo, en el caso de una pieza de trabajo en forma de U, utilice un tablón de madera, tal como se observa en la Fig. 43-b para asegurar estabilidad en la dirección lateral, y asegúrela cerca de la sección de corte de la pieza de trabajo. Luego realice el apriete utilizando tanto el conjunto de tornillo de carpintero y abrazadera disponible en las tiendas del ramo.

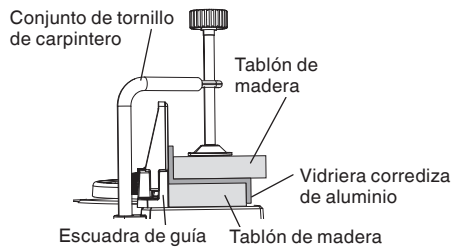


Fig. 43-a

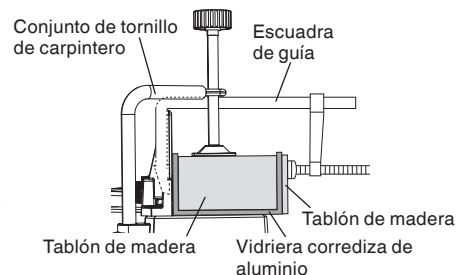


Fig. 43-b

MONTAJE Y DESMONTAJE DE LA HOJA DE SIERRA

⚠ ADVERTENCIA: * Para evitar accidentes o lesiones, suelte siempre el interruptor de disparo y desconecte el enchufe del cable de alimentación del tomacorriente antes de extraer o instalar la hoja de sierra. Si se realizara la tarea de corte sin haber apretado suficientemente el perno de 8 mm, éste se podría aflojar, la hoja se podría salir y el revestimiento de protección inferior se podría dañar, provocando lesiones.

Compruebe asimismo que los pernos de 8 mm se encuentren correctamente apretados antes de desenchufar la clavija de alimentación de la toma de corriente.

* Si se instalaran o retiraran los pernos de 8 mm utilizando una herramienta que no sea la llave de 13 mm (accesorio estándar), se producirá un apriete excesivo o inadecuado, lo cual podría provocar lesiones.

1. Desmontaje de la hoja (Fig. 44-a, Fig. 44-b, Fig. 44-c y Fig. 44-d)

- (1) Desconecte el cable de alimentación del tomacorriente.
- (2) Levante el cabezal de corte en posición vertical, deslice el cabezal de corte completamente hacia la parte trasera de la unidad y apriete la perilla de fijación de deslizamiento.
- (3) Levante el protector inferior hasta la posición superior.
- (4) Quite el tornillo de la placa de cubierta con un destornillador Phillips.
- (5) Coloque la llave de tuercas del extremo de la hoja sobre el perno de 8 mm.
- (6) Localice el bloqueo del husillo en el motor.
- (7) Presione el bloqueo del husillo, mientras lo retiene con firmeza al girar la hoja hacia la derecha. El bloqueo del husillo se engranará y bloqueará el eje. Continúe para retener el bloqueo del husillo, mientras gira la llave de tuercas hacia la izquierda para aflojar el perno de 8 mm.
- (8) Retire el perno de 8 mm, la arandela (B) y la hoja. No retire la arandela (A).

NOTA: Si el bloqueador del huso no puede presionarse fácilmente para bloquear el huso, gire el perno de 8 mm con la llave de 13 mm (accesorio estándar) presionándolo.

El cubo de la hoja de sierra se bloqueará al presionar hacia adentro el bloqueador del mismo.

NOTA: Preste atención a las piezas que ha quitado, anotando su posición y la dirección en la que están orientadas. Limpie la arandela (B) de restos de polvo antes de instalar una hoja nueva.

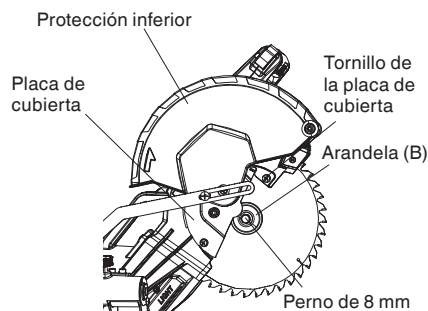


Fig. 44-a

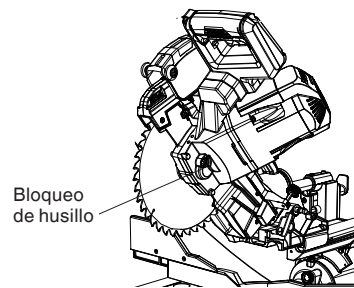


Fig. 44-b

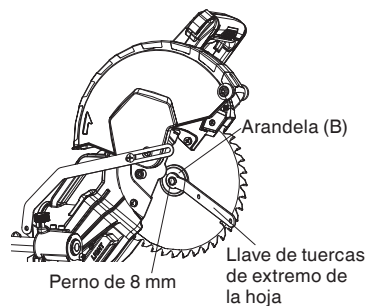


Fig. 44-c

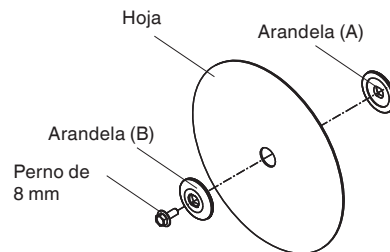


Fig. 44-d

⚠ ADVERTENCIA: Al montar la hoja de sierra, confirme que la marca indicadora de rotación de la hoja de sierra y la dirección de rotación de la protección inferior (refiérase a la Fig. 1) coinciden correctamente.

⚠ PRECAUCIÓN: * Después de haber instalado o extraído la hoja de sierra, confirme que el bloqueador del huso haya vuelto a la posición de retracción.
* Apriete el perno de 8 mm de forma que no se afloje durante la operación.
Confirme que el perno de 8 mm haya quedado adecuadamente apretado antes de poner en funcionamiento la herramienta.

2. Montaje de la hoja de sierra

⚠ ADVERTENCIA: Desconecte la sierra para cortar ingletes antes de cambiar o instalar la hoja.

- (1) Seleccione una hoja de 255 mm, asegurándose de que la flecha de rotación de la hoja coincide con la flecha de rotación hacia la derecha de la protección inferior, y de que los dientes de la hoja apuntan hacia abajo.
- (2) Coloque la hoja y la arandela (B) contra la hoja. Enrosque el perno de 8 mm hacia la derecha.

NOTA: Asegúrese de que la parte lisa del cuello de la hoja se acopla a la parte plana del eje. Además, la parte plana del cuello de la hoja debe colocarse contra la hoja.

- (3) Coloque la llave de tuercas sobre el perno de 8 mm.
- (4) Presione el bloqueo del husillo, mientras lo retiene con firmeza al girar la hoja hacia la izquierda. Cuando se acople, siga presionando el bloqueo del husillo mientras aprieta el perno de 8 mm para fijarlo.
- (5) Vuelva a colocar el tornillo de la placa de cubierta y apriételo con un destornillador Phillips.
- (6) Rote la placa de cubierta y el protector inferior de nuevo en su posición original.
- (7) Verifique que durante la operación de la protección inferior no se engancha o adhiere.
- (8) Asegúrese de liberar el bloqueo del husillo para que la hoja gire libremente.

⚠ PRECAUCIÓN: No intente instalar nunca hojas de sierra de diámetro superior a 10" (255 mm).
Instale siempre las hojas de sierra de 10" (255 mm) de diámetro o menos.

MANTENIMIENTO E INSPECCIÓN

⚠ ADVERTENCIA: Para evitar accidentes o lesiones, confirme que el interruptor de disparo esté en OFF y de que el enchufe del cable de alimentación esté desconectado del tomacorriente antes de realizar cualquier operación de mantenimiento o de inspección de esta herramienta.

1. Inspección de la hoja de sierra
Reemplace la hoja de sierra inmediatamente después de haber notado cualquier signo de deterioro o daño.
Una hoja de sierra dañada puede causar lesiones, y otra desgastada puede causar la operación inefectiva o la posible sobrecarga del motor.

⚠ PRECAUCIÓN: No utilice nunca una hoja de sierra mellada. Cuando la hoja de sierra esté mellada, su resistencia a la presión de la mano aplicada por la empuñadura de la herramienta tiende a aumentar, haciendo que la herramienta eléctrica funcione de forma insegura.

2. Inspección de las escobillas (Figs. 45 y 46)
Las escobillas del motor son piezas fungibles.
Si las escobillas se desgastan excesivamente, es posible que el motor tenga problemas.
Por lo tanto, inspeccione periódicamente las escobillas y reemplácelas cuando se hayan desgastado hasta la línea límite mostrada en la Fig. 45.
Además, mantenga las escobillas limpias de forma que se deslicen suavemente dentro de los portaescobillas. Quite los dos tornillos de protección y la cubierta trasera del motor.
Quite lentamente la tapa de la escobilla del lateral del motor. A continuación, saque la escobilla de carbón y cámbiela. Las orejetas del extremo metálico del módulo deben introducirse en el mismo orificio en el que encaja la pieza de carbón. Por último, apriete la tapa con firmeza, pero no en exceso. Repita el procedimiento anterior con la escobilla de carbón situada en el otro lado del motor.

NOTA: Al cambiar las escobillas de carbón, utilice únicamente escobillas de carbón Hitachi que tengan el número de código "463" (refiérase a la Fig. 45). Si usa otras escobillas de carbón, el freno eléctrico no funcionará.

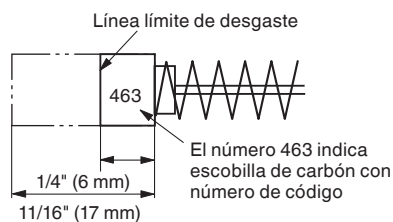


Fig. 45

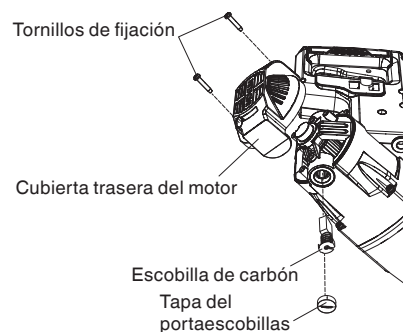


Fig. 46

3. Cómo tratar el motor (consulte la Fig. 1)

El devanado del motor es el "corazón" mismo de esta herramienta. Preste suma atención para asegurarse de que el devanado no se dañe y/o se humedezca con aceite o agua.

NOTA: La acumulación de polvo u otras impurezas en el interior del motor puede provocar fallos de funcionamiento.

Después de usar el motor alrededor de unas 50 horas, efectúe el funcionamiento sin carga, y sople aire seco desde el orificio provisto en la parte trasera del motor. Esta acción es sumamente eficaz para descargar el polvo y similar.

4. Inspección de los tornillos

Inspeccione regularmente cada componente de la herramienta eléctrica para ver si están flojos.

Reapriete los tornillos y cualquier pieza floja.

⚠ ADVERTENCIA: Para evitar lesiones, no utilice nunca la herramienta eléctrica si tiene alguna pieza floja.

5. Inspección del funcionamiento del revestimiento de protección inferior

Antes de utilizar la herramienta, pruebe el revestimiento de protección inferior (consulte la Fig. 9) para asegurarse de que esté en buenas condiciones, y de que se mueva uniformemente.

No utilice nunca la herramienta a menos que el revestimiento de protección inferior funcione de forma adecuada y esté en buenas condiciones mecánicas.

6. Almacenamiento

Después de haber utilizado la herramienta eléctrica, compruebe si:

(1) El interruptor de disparo está en la posición OFF,

(2) El enchufe del cable de alimentación está desconectado del tomacorriente de CA,

Cuando no vaya a utilizar la herramienta, guárdela en un lugar seco fuera del alcance de niños.

7. Lubricación

Lubrique las superficies deslizables siguientes una vez al mes a fin de mantener la herramienta eléctrica en buenas condiciones de operación durante mucho tiempo (consulte la Fig. 1 y la Fig. 2). Se recomienda la utilización de aceite para máquinas.

Puntos de suministro de aceite:

* Parte giratoria de la bisagra

* Parte giratoria del conjunto del tornillo de carpintero

* Parte rotativa del soporte (A)

8. Limpieza

Limpie periódicamente las virutas y demás materiales de la superficie de la herramienta eléctrica, especialmente del interior del revestimiento de protección inferior, con un paño humedecido en una solución jabonosa. Para evitar el mal funcionamiento del motor, protéjalo contra el aceite y el agua.

Si la línea de láser se volviera invisible debido a astillas u otras impurezas adheridas en la ventana de la sección de emisión de luz del marcador láser, limpie la ventana con un paño suave o humedecido con agua jabonosa, etc.

9. Lista de repuestos
- A: HKU n.º
 - B: N.º de ID
 - C: Descripción
 - D: Tamaño
 - E: Cant.

⚠ PRECAUTION: La reparación, modificación e inspección de las herramientas eléctricas Hitachi deben ser realizadas por un Centro de Servicio Autorizado de Hitachi.

Esta lista de repuestos será de utilidad si es presentada junto con la herramienta al Centro de Servicio Autorizado de Hitachi para solicitar la reparación o cualquier otro tipo de mantenimiento. En el manejo y el mantenimiento de las herramientas eléctricas, se deberán observar las normas y reglamentos vigentes en cada país.

MODIFICACIONES:

Hitachi Power Tools introduce constantemente mejoras y modificaciones para incorporar los últimos avances tecnológicos.

Por consiguiente, algunas partes (por ejemplo, números de códigos y/o diseño) pueden ser modificadas sin previo aviso.

SERVICIO Y REPARACIONES

Todas las herramientas eléctricas de calidad necesitan el servicio o el reemplazo de piezas debido al desgaste por el uso. para asegurarse de que solamente se utilicen piezas de remplazo autorizadas y el sistema de doble aislamiento, todos los trabajos de servicio (excepto el mantenimiento rutinario) deberán realizarse **SOLAMENTE EN UN CENTRO DE REPARACIONES DE HERRAMIENTAS ELÉCTRICAS AUTORIZADO POR HITACHI.**

NOTA: Las especificaciones están sujetas a cambio sin previo aviso sin ninguna obligación por parte de HITACHI.

**SLIDE COMPOUND MITER SAW
PARTS LIST**

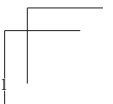
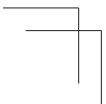
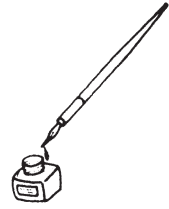
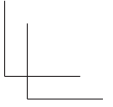
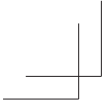
MODEL NO. C 10FSHC

A	B	C	D	E	A	B	C	D	E
372093	083Z	CORD CLAMP		1	372499	32RA	NUT CHUCK	M6*1.0 T=6	2
372441	0CES	COMPRESSION SPRING		1	372500	32RC	NUT CHUCK	M12*1.75 T=12	1
372442	0CPD	CENTER BOLT		1	372501	33N7	FLAT WASHER	φ6*16-1.5	2
372443	0D9A	ANCHOR BLOCK		1	372502	34BN	COMPRESSION SPRING		1
372444	0DT4	ROLLING WHEEL		2	372503	387B	HEX. SOC. TRUSS HD. & WASHER ASSY	M6*1.0-12	2
372445	0DT7	BEARING		2	372504	39XD	COMPRESSION SPRING		1
372446	0DVJ	BLADE WRENCH		1	372505	3ADS	HEX. NUT	M6*1.0 T=5	2
726478	0J4F	FLAT WASHER	φ8*16-2.5	1	339796	3ADZ	NUT CHUCK	M10*1.5, T=10	1
327352	0J66	FLAT WASHER	φ4*10-1	1	339832	3AE3	FLAT WASHER	φ10*20-3	1
949434	0J7K	FLAT WASHER	3/8*29/32-5/64	1	372508	3AZ7	CR. RE. PAN HD. SCREW	M5*0.8-16	3
372450	0JA7	EXTERNAL TOOTH LOCK WASHER	φ6	3	372509	3BKD	HINGE		1
372018	0JAZ	WAVE WASHER		2	372510	3DJ8	LOCATING BAR		1
327354	0JB0	WAVE WASHER		2	372511	3DJ9	FRAME ENDCAP		1
372453	0JBG	DISC SPRING WASHER	φ12	1	372512	3DJA	WASHER BEARING		1
372454	0JE7	C-RING		1	372513	3DJG	SPACER		2
372455	0JFB	SELF-LOCKING RING		2	372514	3DJL	SET PLATE		1
372456	0JMN	O-RING		1	372515	3DJP	SLIDE CARRIAGE ASS'Y		1
372050	0JMP	O-RING		1	372516	3DJR	SLIDE CARRIAGE		1
372458	0JNR	O-RING ROD		2	372517	3DKF	SHAFT-PIVOT		1
372459	0JPE	HEX. HD. BOLT	M6*1.0-20	2	372518	3DKJ	TORSION SPRING		1
372460	0JUK	HEX. SOC. HD. CAP BOLT	M6*1.0-16	1	372519	3DMM	BEARING COVER		3
968247	0JX9	HEX. SOC. SET SCREW	M6*1.0-10	1	372520	3DTM	SHAFT SLEEVE		1
726318	0K05	HEX. SOC. TRUSS HD. SCREW	M8*1.25-20	4	372521	3DTZ	RUBBER PAD		1
726539	0K2B	HEX SOC. HD. CAP SCREW	M6*1.0-16	1	372522	3DWT	INSERT		1
372464	0K4S	CR. RE. TRUSS HD. SCREW	M5*0.8-16	2	372523	3DXM	LINEAR MOTION BEARING		1
372465	0K5E	CR. RE. COUNT HD. SCREW	M6*1.0-25	1	372524	3FJH	SET PLATE		1
372466	0KD8	CR. RE. PAN HD. SCREW	M4*0.7-12	1	372525	3FJQ	WRENCH SET		1
949236	0KDH	CR. RE. PAN HD. SCREW	M5*0.8-8	1	372730	3FQM	SPACER		1
726615	0KQW	LOCK NUT	M5*0.8, T=5	1	372526	3FVK	LASER_COVER		1
339840	0KQX	NUT	M6*1.0, T=6	1	372527	3FVL	COVERLASER_COVER		1
372073	0KQY	LOCK NUT	M8*1.25, T=8	1	372528	3FVM	LEVELING PAD		1
314474	0KR3	LOCK NUT	M6*1.0 T=6	1	372529	3FVQ	ADJUSTABLE NUT		1
372472	0KTP	CABLE CLAMP		1	372530	3G3T	MITER DETENT OVERRIDE BUTTON		1
726627	0KUW	TERMINAL		4	372531	3G4S	VICE ASS'Y		1
372474	10KD	ROLL PIN		2	372532	3GGH	SPECIAL BOLT		1
372475	22A4	LOCKING CABLE TIE		1	372533	3GGQ	ARM MITER COVER		1
372476	23NX	GUARD-CORD		1	372534	3GGG	BRACKET(B)		1
372477	25B1	CR. RE. TRUSS HD. SCREW	M5*0.8-25	1	372535	3GGT	BRACKET(A)		1
372478	27PF	COMPRESSION SPRING		1	372536	3GJ8	INDICATOR (FOR BEVEL SCALE)		1
372479	2B7H	HEX. SOC. SET SCREW		2	372537	3H38	LOCK-OFF BUTTON		1
372480	2E35	TRIGGER SWITCH		1	372538	3H3E	TORSION SPRING		1
372481	2F39	LOCKING PIN		1	372539	3H9P	POWER CABLE		1
372024	2JHZ	CR. RE. PAN HD. TAPPING SCREW	M5*0.8-12	3	372540	3H9U	LEAD WIRE ASS'Y		1
372483	2JTR	INSULATING SLEEVE		1	372541	3HHM	CR. RE. COUNT HD. SCREW	M4*0.7-8	4
372484	2M0S	LIMIT SWITCH		1	372542	3HHT	CR. RE. TRUSS HD. SCREW	M6*1.0-8	1
372485	2MX6	CR. RE. PAN HD. SCREW & WASHER	M6*1.0-20	4	372543	3HHU	CR. RE. TRUSS HD. SCREW	M5*0.8-6	3
372486	2NAH	CR. RE. TRUSS HD. SCREW	M4*0.7-8	1	372544	3HHX	CR. RE. PAN HD. TAPPING SCREW	M4*18-16	3
372487	2R XR	CR. RE. PAN HD. SCREW	M4*0.7-8	1	372545	3HHZ	CR. RE. PAN HD. TAPPING SCREW	M4*18-25	1
372488	2RYJ	CR. RE. PAN HD. TAPPING SCREW	M4*16-20	3	372546	3HJ0	CR. RE. PAN HD. TAPPING SCREW	M3*24-8	4
372489	2VEP	SHAFT		1	372547	3HJ3	CR. RE. PAN HD. ROUND NECK SCREW	M6*1.0-12	1
372490	2VH6	LINEAR MOTION BEARING		2	372548	3HJ5	CR. RE. PAN HD. SCREW	M5*0.8-6	1
372491	2VN7	BLANKET WASHER		4	372549	3HJ7	CR. RE. PAN HD. SCREW	M5*0.8-8	8
372492	2VS0	LEAD WIRE ASS'Y		1	372550	3HJ8	CR. RE. PAN HD. SCREW	M5*0.8-55	2
372493	2WK0	COMPRESSION SPRING		1	372551	3HJA	CR. RE. PAN HD. SCREW	M5*0.8-25	1
372494	2WX6	WASHER (A)/(B)		2	372552	3HJB	CR. RE. PAN HD. SCREW	M5*0.8-10	6
372495	2XSF	CR. RE. COUNT HD. TAPPING SCREW	M5*16-8	3	372553	3HJF	HEX. SOC. SET SCREW	M6*1.0-16	2
372496	2YR6	SPRING GUARD		1	372554	3HJG	HEX. SOC. SET SCREW	M6*1.0-10	2
372497	306G	BUSHING		1	372555	3HJH	HEX. SOC. HD. CAP SCREW	M5*0.8-40	2
372498	31VX	CR. RE. TRUSS HD. ROUND NECK SCREW	M6*1.0-14	1					

**SLIDE COMPOUND MITER SAW
PARTS LIST**

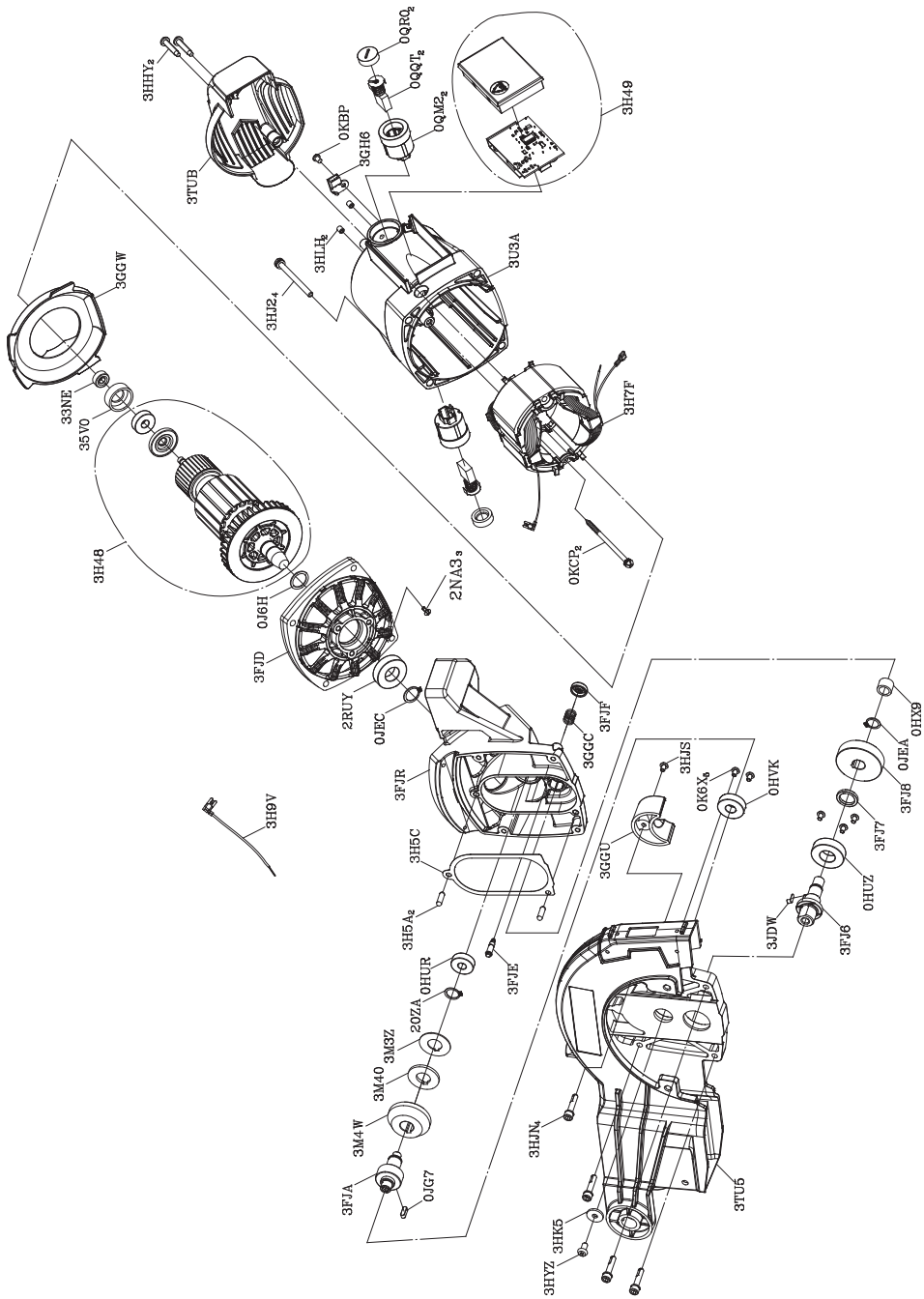
MODEL NO. C 10FSHC

A	B	C	D	E	A	B	C	D	E
372556	3HJP	HEX. SOC. TRUSS HD. & WASHER ASS'Y	M6*1.0-16	2	372597	3TU2	COVER PLATE		1
372557	3HJU	HEX. WASHER HD. BOLT	M8*1.25-20	1	372598	3TU3	LOWER GUARD		1
372558	3HJV	HEX. NUT	M5*0.8,T=4	1	372599	3TU4	BRACING PLATE		1
372559	3HK1	FLAT WASHER	φ12*21-1	1	372600	3TU6	CABLE COVER		1
372560	3HK2	FLAT WASHER	φ5*14-1	1	372601	3TU7	LAMP SOCKET		1
372561	3HK3	FLAT WASHER	φ6*12-1	2	372602	3TU8	SWITCH HANDLE(RIGHT)		1
372562	3HKB	HEX. SOC. SET SCREW	M6*1.0-12	1	372603	3TU9	SWITCH HANDLE(LEFT)		1
372563	3J7N	CR.RE. PAN HD. TAPPING SCREW	M4*16-16	1	372604	3TWF	CONTROLLER ASS'Y		1
372564	3JE7	HEX. SOC. HD. CAP SCREWS	M5*0.8-20	1	372605	3TWK	LED LIGHT		1
372565	3VUA	CAUTION LABEL		1	372606	3TWL	INSERT		1
372566	3K0U	ANCHOR PLATE		1	372607	3TWW	MOTOR ASS'Y		1
372567	3K0V	CR.RE. TRUSS HD. ROUND NECK SCREW	M6*1.0-10	1	372608	3U2U	STOP KNOB		1
372568	3KJ1	INSULATING SLEEVE	φ8.5-50	1	372609	3U6Q	LABLE LINE COVER		1
372569	3M9D	SET PLATE		1	372610	3UG6	TABLE INSERT		2
372570	3MAR	SUPPORT ROD PAD		2	372611	3UMM	LABEL		1
372571	3MAS	SUPPORT ROD		2	372612	3UMN	MITER SCALE		1
372572	3MFB	ALLEN BOLT	M5*0.8-35	1	372613	3UMQ	CAUTION LABEL		1
372573	3R9Z	CR. RE. PAN HD. TAPPING SCREW	M5*0.8-35	1	372614	3UMR	CAUTION LABEL		1
372574	3S85	SLIDE PLATE		1	372615	3UMS	CAUTION LABEL		1
372575	3S9R	NEEDLE ROLLER		8	372616	3UMT	WARNING LABEL		1
372576	3SG0	INDICATOR (FOR MITER SCALE)		1	372617	3UMU	WARNING LABEL		1
372577	3TMD	HEX. SOC. HD. CAP SCREW	M6*1.0-14	3	372618	3UMV	WARNING LABEL		1
372578	3TRD	DUST BUG		1	372619	3UMW	INSTRUCTIONS MANUAL		1
372579	3TTF	BASE		1	372620	3UN5	CABLE SHIELD		1
372580	3TTG	FENCE		1	372621	3UNA	LASER ASS'Y		1
372581	3TTH	SUB FENCE(B)		1	372622	3V10	STOP PLATE(A)		1
372582	3TTJ	SUB FENCE(A)		1	372623	3V11	STOP PLATE(B)		1
372583	3TTK	CLAMP BOLT		1	372624	3V19	HOLDER(A)		1
372584	3TTL	LOCK KNOB		2	372625	3V1R	CR. RE. TRUSS HD. ROUND NECK SCREW	M5*0.8-12	2
372585	3TTM	SLIDE SECURING KNOB		1	372626	3VAC	LASER STICKER		1
372586	3TTN	WISE LOCK KNOB		2	372627	3VAD	WARNING LABEL		1
372587	3TTP	TURN TABLE		1	372628	3VAE	TILTING SCALE		1
372588	3TTQ	POSITIVE STOP LOCK BUTTON		1	372629	3VKC	ROLL PIN		1
372589	3TTR	MITER LOCK HANDLE		1	372630	3VLV	CARRIAGE HANDLE		1
372590	3TTS	BEVEL LOCK HANDLE		1	372631	3VMT	BUSH		4
372591	3TTT	PLUNGER HANDLE		1	372632	3VN4	SAW BLADE		1
372592	3TTV	SPECIAL NUT		1	372633	3VQA	LED/LASER SWITCH ASS'Y		2
372593	3TTW	LOCATING BAR		1	372634	3VQB	CAUTION LABEL		1
372594	3TTY	LOCKING ROD		1	372731	3VTE	STOP PLATE		1
372595	3TTZ	BRACKET STOP		1	372635	Y43S	CR. RE. TRUSS HD. ROUND NECK SCREW	M6*1.0-15	1
372596	3TU1	LEVER		1					



**SLIDE COMPOUND MITER SAW
SCHEMATIC**

MODEL NO. C 10FSHC



**SLIDE COMPOUND MITER SAW
PARTS LIST**

MODEL NO. C 10FSHC

A	B	C	D	E
372389	0HUR	BALL BEARING		1
372390	0HUZ	BALL BEARING		1
372391	0HVK	BALL BEARING		1
326905	0HX9	NEEDLE BEARING		1
372393	0J6H	FLAT WASHER	φ15.02*19.2-1	1
317578	0JEA	C-RING		1
726512	0JEC	C-RING		1
372396	0JG7	PARALLEL KEY		1
372397	0K6X	CR. RE. TRUSS HD. SCREW	M4*0.7-6	5
372398	0KBP	CR. RE. PAN HD. TAPPING SCREW	M4*18-8	1
372399	0KCP	CR. RE. PAN HD. TAPPING & WASHER SCREW	M5*12-60	2
326910	0QM2	BRUSH HOLDER ASS'Y	Φ27*26.5	2
372085	0QQT	CARBON BRUSH		2
372402	0QR0	BRUSH CAP		2
372403	20ZA	C-RING		1
372404	2NA3	CR. RE. TRUSS HD. SCREW	M5*.8-10	3
372405	2RUJ	BALL BEARING		1
372406	33NE	MAGNET		1
372407	35V0	BEARING BUSHING		1
372408	3FJ6	CUTTER SHAFT		1
372409	3FJ7	COLLAR		1
372410	3FJ8	HELIX GEAR		1
372411	3FJA	GEAR SHAFT		1
372412	3FJD	FRONT HOUSINT		1
372413	3FJE	SPINDLE LOCK		1
372414	3FJF	LOCK KNOB		1
372415	3FJR	GEAR BOX		1
372416	3GGC	COMPRESSION SPRING		1
372417	3GGU	OIL CAP		1
372418	3GGW	FLOW GUIDE		1
372419	3GH6	HALL SENSOR ASS'Y		1
372420	3H48	ARMATURE ASS'Y		1
372421	3H49	CONTROLLER ASS'Y		1
372422	3H5A	NEEDLE ROLLER		2
372423	3H5C	OIL PAPER		1
372424	3H7F	FIELD ASS'Y		1
372425	3H9V	LEAD WIRE ASS'Y		1
372426	3HHY	CR. RE. PAN HD. TAPPING SCREW	M5*16-25	2
372427	3HJ2	CR. RE. PAN HD. SCREW & WASHER	M5*0.8-60	4
372428	3HJN	HEX. SOC. HD. CAP SCREWS	M5*0.8-25	4
372429	3HJS	HEX. SOC. TRUSS HD. SCREW	M4*0.7-6	1
372430	3HK5	FLAT WASHER	φ5*16-2	1
372431	3HLH	HEX. SOC. SET SCREW	M5*0.8-6	2
372432	3HYZ	HEX. SOC. HD. CAP BOLT	M5*0.8-10	1
372433	3JDW	PARALLEL KEY		1
372434	3M3Z	CENTER SHAFT WASHER		1
372435	3M40	BUMPER		1
372436	3M4W	STRAIGHT BEVEL GEAR		1
372437	3TU5	GEAR CASE		1
372438	3TUB	MOTOR REAR COVER		1
372439	3U3A	MOTOR COVER		1

WARNING:

Some dust created by power sanding, sawing, grinding, drilling, and other construction activities contains chemicals known to the State of California to cause cancer, birth defects or other reproductive harm. Some examples of these chemicals are:

- Lead from lead-based paints,
- Crystalline silica from bricks and cement and other masonry products, and
- Arsenic and chromium from chemically-treated lumber.

Your risk from these exposures varies, depending on how often you do this type of work. To reduce your exposure to these chemicals: work in a well ventilated area, and work with approved safety equipment, such as those dust masks that are specially designed to filter out microscopic particles.

AVERTISSEMENT:

La poussière résultant d'un ponçage, d'un sciage, d'un meulage, d'un perçage ou de toute autre activité de construction renferme des produits chimiques qui sont connus par l'Etat de Californie pour causer des cancers, des défauts de naissance et autres anomalies de reproduction. Nous énumérons ci-dessus certains de ces produits chimiques:

- Plomb des peintures à base de plomb,
- Silice cristalline des briques et du ciment et autres matériaux de maçonnerie, et
- Arsenic et chrome du bois d'oeuvre traité chimiquement.

Le risque d'exposition à ces substances varie en fonction de la fréquence d'exécution de ce genre de travail. Pour réduire l'exposition à ces produits chimiques, travailler dans un lieu bien ventilé, et porter un équipement de protection agréé, par exemple un masque anti-poussière spécialement conçu pour filter les particules microscopiques.

ADVERTENCIA:

Algunos polvos creados por el lijado mecánico, el aserrado, el esmerilado, el taladrado y otras actividades de construcción contienen sustancias químicas conocidas por el Estado de California como agentes cancerígenos, defectos congénitos y otros daños reproductores. Algunos ejemplos de estas sustancias químicas son:

- El plomo de las pinturas a base de plomo,
- El sílice cristalino de los ladrillos y cemento y otros productos de mampostería, y
- El arsénico y el cromo de la madera tratada químicamente.

El riesgo resultante de la exposición varía según la frecuencia con que se realiza este tipo de trabajo. Para reducir la exposición a estas sustancias químicas: trabaje en un lugar bien ventilado y realice el trabajo utilizando el equipamiento apropiado, tal como las máscaras para el polvo especialmente diseñados para eliminar las partículas minúsculas.

Issued by

 **Hitachi Koki Co., Ltd.**

Shinagawa Intercity Tower A, 15-1, Konan 2-chome,
Minato-ku, Tokyo 108-6020, Japan

Distributed by

 **Hitachi Koki U.S.A., Ltd.**

PO Box 970
Braselton, GA 30517

 **Hitachi Koki Canada Corp.**

450 Export Blvd. Unit B,
Mississauga ON L5S 2A4

706
Code No. C99231261
Printed in China