

HITACHI

Instruction and safety manual

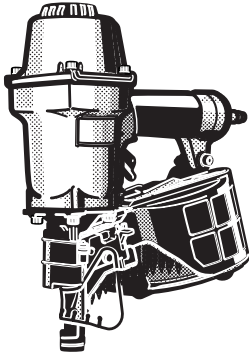
Manuel d'instructions et de sécurité

Instrucciones y manual de seguridad

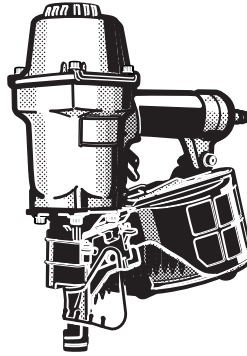
Model
Modèle
Modelo

NV 65AN • NV 65AN(S)

Nailer
Cloueur
Clavador



NV65AN
(contact actuation model)



NV65AN(S)
(single sequential actuation model)

⚠ DANGER

Improper use of this Nailer can result in death or serious injury!
This Manual contains important information about product safety.
Read and understand this Manual before operating the Nailer.
Never allow anyone who has not reviewed this manual to use the tool.
This manual should be stored in safe place.

⚠ DANGER

Une utilisation incorrecte et sans respecter la sécurité de ce cloueur risque d'entraîner la mort ou des blessures graves !
Ce manuel renferme des instructions importantes sur la sécurité de l'outil.
Lire et bien assimiler ce manuel avant d'utiliser le cloueur.
Cet outil ne doit jamais être utilisé par une personne n'ayant pas pris connaissance du manuel.
Ce mode d'emploi doit être conservé dans un endroit sûr.

⚠ PELIGRO

¡La utilización inadecuada e insegura de este clavador puede resultar en lesiones serias o en la muerte!
Este manual contiene información importante sobre la seguridad del producto.
Lea y entienda este manual antes de utilizar el martillo neumático.
La herramienta no deberá utilizarse sin haber leído previamente este manual.
Este manual debe ser guardado en un lugar seguro.

Hitachi Koki

CONTENTS

English	Page	Page	
IMPORTANT SAFETY INFORMATION	3	BEFORE OPERATION.....	10
DEFINITIONS OF SIGNAL WORDS.....	3	WORKING ENVIRONMENT.....	10
EXPLANATION OF THE NAILING ACTION OF THE HITACHI NAILER.....	3	AIR SUPPLY	10
SAFETY		LUBRICATION	11
IMPORTANT SAFETY INSTRUCTIONS - FOR USING NAILERS	4	COLD WEATHER CARE	11
EMPLOYER'S RESPONSIBILITIES	7	TESTING THE NAILER	11
OPERATION		ADJUSTING AIR PRESSURE.....	12
NAME OF PARTS	8	LOADING NAILS	13
SPECIFICATIONS.....	9	NAILER OPERATION	14
NAIL SELECTION	9	METHODS OF OPERATION.....	15
ACCESSORIES.....	9	CHANGING THE EXHAUST DIRECTION.....	16
STANDARD ACCESSORIES.....	9	MAINTENANCE	
OPTIONAL ACCESSORIES.....	10	MAINTENANCE AND INSPECTION	17
APPLICATIONS	10	SERVICE AND REPAIRS.....	18
		PARTS LIST	60

TABLE DES MATIÈRES

Français	Page	Page	
INFORMATION IMPORTANTE DE SÉCURITÉ.....	20	AVANT L'UTILISATION	28
DEFINITION DES MOTS DE SIGNALISATION	20	ENVIRONNEMENT DE TRAVAIL.....	28
EXPLICATION DE L'ACTION DE CLOUAGE DU CLOUEUR HITACHI	20	ALIMENTATION D'AIR.....	28
SECURITE		GRAISSAGE	29
CONSIGNES DE SÉCURITÉ IMPORTANTES POUR L'UTILISATION DU CLOUEUR.....	21	ENTRETIEN PAR TEMPS FROID.....	29
RESPONSABILITES DE L'EMPLOYEUR	25	ESSAI DU CLOUEUR	29
UTILISATION		RÉGLAGE DE LA PRESSION D'AIR.....	31
NOM DES PIÈCES.....	26	CHARGEMENT DES CLOUS.....	31
SPECIFICATIONS.....	27	UTILISATION DU CLOUEUR.....	32
SELECTION DES CLOUS	27	MÉTHODES D'UTILISATION	33
ACCESSOIRES.....	27	CHANGEMENT DU SENS D'ÉCHAPPEMENT	35
ACCESSOIRES STANDARD.....	27	ENTRETIEN	
ACCESSOIRES EN OPTION	28	ENTRETIEN ET INSPECTION.....	36
APPLICATIONS	28	ENTRETIEN ET REPARATIONS	38
		LISTE DES PIÈCES	60

ÍNDICE

Español	Página	Página	
INFORMACIÓN IMPORTANTE SOBRE SEGURIDAD.....	40	ANTES DE LA OPERACIÓN.....	48
DEFINICIÓN DE LAS PALABRAS CLAVE	40	ENTORNO DE TRABAJO	48
EXPLICACIÓN LA ACCIÓN DE CLAVADO DEL CLAVADOR HITACHI	40	SUMINISTRO DE AIRE	48
SEGURIDAD		LUBRICACIÓN	49
INSTRUCCIONES IMPORTANTES DE SEGURIDAD PARA LA UTILIZACIÓN DEL CLAVADOR.....	41	CUIDADOS PARA CLIMAS FRÍOS	49
RESPONSABILIDADES DEL EMPRESARIO.....	45	PRUEBA DEL CLAVADOR.....	49
OPERACIÓN		AJUSTE DE LA PRESIÓN DE AIRE.....	51
NOMENCLATURA.....	46	CARGA DE CLAVOS	51
ESPECIFICACIONES	47	OPERACIÓN DEL CLAVADOR	52
SELECCIÓN DE CLAVOS	47	MÉTODOS DE OPERACIÓN	53
ACCESORIOS	47	CAMBIO DEL SENTIDO DEL AIRE DE ESCAPE	55
ACCESORIOS ESTÁNDAR.....	47	MANTENIMIENTO	
ACCESORIOS OPCIONALES.....	48	MANTENIMIENTO E INSPECCIÓN	56
APLICACIONES.....	48	SERVICIO Y REPARACIONES.....	57
		LISTA DE PIEZAS	60

IMPORTANT SAFETY INFORMATION



Read and understand tool labels and all of the operating instructions, safety precautions and warnings in this manual before operating or maintaining this Nailer.

Failure to follow warnings could result in DEATH or SERIOUS INJURY

Most accidents that result from the operation and maintenance of Nailers are caused by the failure to observe basic safety rules or precautions. An accident can often be avoided by recognizing a potentially hazardous situation before it occurs, and by observing appropriate safety procedures.

Basic safety precautions are outlined in the “SAFETY” section of this Manual and in the sections which contain the operation and maintenance instructions.

Hazards that must be avoided to prevent bodily injury or machine damage are identified by DANGERS and WARNINGS on the Nailer and in this Manual.

NEVER use this Nailer for applications other than those specified in this Manual.

DEFINITIONS OF SIGNAL WORDS

DANGER indicates an imminently hazardous situation which, if not avoided, will result in death or serious injury.

WARNING indicates a potentially hazardous situation which, if not avoided, could result in death or serious injury.

CAUTION indicates a potentially hazardous situation which, if not avoided, may result in minor or moderate injury, or may cause machine damage.

NOTE emphasizes essential information.

EXPLANATION OF THE NAILING ACTION OF THE HITACHI NAILER

- SINGLE SEQUENTIAL ACTUATION MECHANISM:
First, press the push lever against the wood; next, pull the trigger to drive the fastener.
After nailing once, nailing will not be possible again until the Trigger is released and pressed again.
- CONTACT ACTUATION MECHANISM:
First, press the push lever against the wood; next, pull the trigger to drive the fastener.
First, pull the trigger; next, press the push lever against the wood to drive the fastener.
If the Trigger is held back, a nail will be driven each time the Push Lever is pressed against the wood.

SAFETY

IMPORTANT SAFETY INSTRUCTIONS - FOR USING NAILERS

INSTRUCTIONS PERTAINING TO A RISK OF FIRE, ELECTRIC SHOCK, OR INJURY TO PERSONS

● General

To reduce the risks of electric shock, fire, and injury to persons, **READ ALL THE INSTRUCTIONS BEFORE USING THE TOOL.**

⚠ DANGER

1. OPERATORS AND OTHERS IN WORK AREA MUST WEAR EYE PROTECTION (SAFETY GLASSES WITH SIDE SHIELDS).



When operating the Nailer, always wear safety glasses with side shields, and make sure others in work area wear safety glasses, too.

Safety glasses must conform to the requirements of American National Standards Institute, ANSI Z87.1 and provide protection against flying particles both from the front and side.

The employer must enforce the use of safety glasses by the Nailer operator and others in work area.

2. NEVER USE OXYGEN OR OTHER BOTTLED GASES. EXPLOSION MAY OCCUR.



Never use oxygen, combustible gases or any other bottled gases as a power source for the Nailer.

Use of the above gases is dangerous, as the Nailer will explode.

Use only clean, dry, regulated compressed air.

⚠ WARNING

3. NEVER POINT TOOL AT YOURSELF OR OTHERS IN WORK AREA.



Always assume that the Nailer contains fasteners.

Never point the Nailer toward yourself or others, whether it contains fasteners or not.

If fasteners are mistakenly driven, it can lead to severe injuries.

Never engage in horseplay with the Nailer.

Respect the Nailer as a working implement.

5. CHOICE OF TRIGGERING METHOD IS IMPORTANT.

Read and understand section titled "METHODS OF OPERATION." (pages 15 – 16)

4. DO NOT PLACE FINGER ON TRIGGER AND KEEP FINGER AWAY FROM THE TRIGGER WHEN NOT DRIVING FASTENERS TO AVOID ACCIDENTAL FIRING.

Never carry the Nailer with finger on Trigger since you could drive a fastener unintentionally and injure yourself or someone else.

Always carry the Nailer by the handle only.

6. DO NOT MAKE CONTACT WITH SAFETY TIP (PUSH LEVER) WHEN NOT DRIVING FASTENERS.

SAFETY — Continued

WARNING

When using tools, basic precautions should always be followed, including the following:

1. Work area

- (1) **Keep the work area clean and well lit.**

Cluttered benches and dark areas increase the risks of electric shock, fire, and injury to persons.

- (2) **Do not operate the Nailer in explosive atmospheres, such as in the presence of flammable liquids, gases, or dust.**

The Nailer is able to create sparks resulting in the ignition of the dust or fumes.

- (3) **Keep bystanders, children, and visitors away while operating the Nailer.** Distractions are able to result in the loss of control of the Nailer.

2. Personal safety


- (1) **Stay alert. Watch what you are doing and use common sense when operating the Nailer. Do not use the Nailer while tired or under the influence of drugs, alcohol, or medication.**

A moment of inattention while operating the Nailer increases the risk of injury to persons.

- (2) **Dress properly. Do not wear loose clothing or jewelry. Contain long hair. Keep hair, clothing, and gloves away from moving parts.**

Loose clothes, jewelry, or long hair increases the risk of injury to persons as a result of being caught in moving parts.

- (3) **Avoid unintentional starting. Be sure the switch is off before connecting to the air supply.** Do not carry the Nailer with your finger on the switch or connect the Nailer to the air supply with the switch on.

- (4)  **WARNING** – **Disconnect the Nailer from the air source before making adjustments, doing Nailer maintenance, clearing jams, touching the Push Lever, when not in use, leaving work area, loading, or unloading the Nailer, handing it to another person. Never attempt to clear a jam or repair the Nailer unless you have disconnected air hose from the Nailer and removed all remaining fasteners from the Nailer. The Nailer should never be left unattended since people who are not familiar with the Nailer might handle it and injure themselves. Such precautionary measures reduce the risk of injury to persons.**

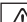
- (5) **Do not overreach. Keep proper footing and balance at all times.** Proper footing and balance enables better control of the Nailer in unexpected situations.

- (6) **Use safety equipment.** A dust mask, non-skid safety shoes and a hard hat must be used for the applicable conditions.

- (7)  **WARNING** – **Risk of hearing loss. Wear ear protection.**

- (8) **Always wear head protection. Always wear head protection to protect your head from flying objects.**

- (9) **Do not attach the hose or Nailer to your body.** Attach the hose to the structure to reduce the risk of loss of balance if the hose shifts.

- (10)  **WARNING** – **Place Nailer properly on workpiece.** Do not fasten on top of another fastener. This is able to cause the fastener to be deflected and hit someone, or cause the Nailer to react and result in a risk of injury to persons.

3. Nailer use and care

- (1) **Use clamps or another practical way to secure and support the workpiece to a stable platform.**

Holding the work by hand or against the body is unstable and is able to lead to loss of control.

- (2) **Do not force the Nailer.** Use the correct Nailer for the application. The correct Nailer will do the job better and safer at the rate for which the Nailer is designed.

- (3) **Do not use the Nailer if the switch does not turn the Nailer on or off.** Any Nailer that cannot be controlled with the switch is dangerous and must be repaired.

Never use Nailer which is defective or operating abnormally. If the Nailer appears to be operating unusually, making strange noises, or otherwise appears defective, stop using it immediately and arrange for repairs by a Hitachi authorized service center.

- (4) **Disconnect the Nailer from the air source before making any adjustments, changing accessories, or storing the Nailer.** Such preventive safety measures reduce the risk of starting the Nailer unintentionally.

SAFETY — Continued

⚠ WARNING

(5) **Store the Nailer when it is idle out of reach of children and other untrained persons.** A Nailer is dangerous in the hands of untrained users.

(6) **Maintain the Nailer with care.** Keep the Nailer Clean and lubricated for better and safer performance.

(7) **Check for misalignment or binding of moving parts, breakage of parts, and any other condition that affects the Nailer's operation.**

If damaged, have the Nailer serviced before using. Because of high air pressure in the Nailer, cracks in the surface are dangerous. To avoid this, do not drop the Nailer or strike the Nailer against hard surfaces; and do not scratch or engrave signs on the Nailer. Many accidents are caused by poorly maintained Nailers. There is a risk of bursting if the Nailer is damaged.

(8) **Use only accessories that are identified by Hitachi for the specific Nailer.** Use of an accessory not intended for use with the specific Nailer, increases the risk of injury to persons.

(9) **Use only those fasteners listed in the Accessories section of this manual.** Fasteners not identified for use with this Nailer by Hitachi are able to result in a risk of injury to persons or Nailer damage when used in this Nailer.

4. Service

(1) **Tool service must be performed only by qualified repair personnel.**

(2) **When servicing a Nailer, use only identical replacement parts. Use only authorized parts.**

(3) **Use only the lubricants supplied with the Nailer or specified by Hitachi.**

5. Air source

(1) **Never connect to an air source that is capable of exceeding 200 psi (13.7 bar 14 kgf/cm²).**

Over pressurizing the Nailer is able to result in bursting, abnormal operation, breakage of the Nailer or serious injury to persons.

DO NOT EXCEED 120 psi (8.3 bar 8.5 kgf/cm²).

Use only clean, dry, regulated compressed air at the rated pressure or within the rated pressure range as marked on the Nailer.

Always verify prior to using the Nailer that the air source has been adjusted to the rated air pressure or within the rated air-pressure range.

(2) **Never use oxygen, carbon dioxide, combustible gases or any bottled gas as an air source for the Nailer.** Such gases are capable of explosion and serious injury to persons.

6. Others

(1) **Be careful of double fire due to recoil.** If the Push Lever is unintentionally allowed to re-contact the workpiece following recoil, an unwanted fastener will be driven. In order to avoid this undesirable double fire,

○ Intermittent operation (Trigger firing)
CONTACT ACTUATION MECHANISM, SINGLE SEQUENTIAL ACTUATION MECHANISM.

1) Pull the trigger rapidly and firmly.

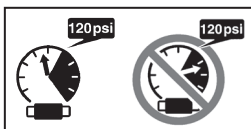
○ Continuous operation (Push lever firing)
CONTACT ACTUATION MECHANISM.

1) Do not press the nailer against the wood with excessive force.

2) Separate the nailer from the wood as it recoils after nailing.

(2) **Never use non relieving coupler on Nailer.** If a non relieving coupler is used on the Nailer, the Nailer can remain charged with air after disconnecting and thus will be able to drive a fastener even after disconnecting. The Nailer and air hose must have a hose coupling such that all pressure is removed from the Nailer when the coupling joint is disconnected.

(3) **Check Push Lever before use.** Make sure the Push Lever operates properly. (The Push Lever may be called "Safety".) Never use the Nailer unless the Push Lever is operating properly, otherwise the Nailer could drive a fastener unexpectedly. Do not tamper with or remove the Push Lever, otherwise the Push Lever becomes inoperable.



SAFETY — Continued

WARNING

- (4) **Keep all screws and covers tightly in place.** Keep all screws and covers tightly mounted. Check their condition periodically. Never use the Nailer if parts are missing or damaged.
- (5) **Do not load fasteners with Trigger or Push Lever depressed.** When loading fasteners into the Nailer or when connecting the air hose,
 - 1) do not depress the Trigger;
 - 2) do not depress the Push Lever; and
 - 3) keep the Nailer pointed downward.
- (6) **Keep hands and feet away from firing head during use.** Never place your hands or feet closer than 8 inches (200 mm) from the firing head. A serious injury can result if the fasteners are deflected by the workpiece, or are driven away from the point of entry.
- (7) **Do not drive fasteners into thin boards or near corners and edges of workpiece.** The fasteners can be driven through or away from the workpiece and hit someone.
- (8) **Never drive fasteners from both sides of a wall at the same time.** The fasteners can be driven into and through the wall and hit a person on the opposite side.
- (9) **Check for live wires.** Avoid the risk of severe electrical shock by checking for live electrical wires that may be hidden by walls, floors or ceilings. Turn off the breaker switch to ensure there are no live wires.
- (10) **Never carry Nailer by hose.**
- (11) **Do not disconnect air hose from Nailer with finger on Trigger.** The Nailer can fire when re-connected to An air supply.
- (12) **Handle Nailer correctly.** Operate the Nailer according to this Manual. Never allow the Nailer to be operated by children, individuals unfamiliar with its operation or unauthorized personnel.
- (13) **Never use Nailer for applications other than those specified in this manual.**
- (14) **Never modify or alter a Nailer.** Doing so may cause it to malfunction and personal injuries may result.
- (15) **Do not remove Dust Cover.** Fragments of wire collating fasteners can fly out.
- (16) **Close Nail Guide and do not open it during operation.** If driving fasteners with the Nail Guide open, the fasteners can be driven away from the workpiece.

EMPLOYER'S RESPONSIBILITIES

- 1. Ensure that this MANUAL is available to operators and personnel performing maintenance.
- 2. Ensure that Nailers are used only when operators and others in work area are wearing EYE PROTECTION.
- 3. Enforce the use of EYE PROTECTION by operators and others in work area.
- 4. Keep Nailers in safe working order.
- 5. Maintain Nailers properly.
- 6. Ensure that Nailers which require repair are not further used before repair.

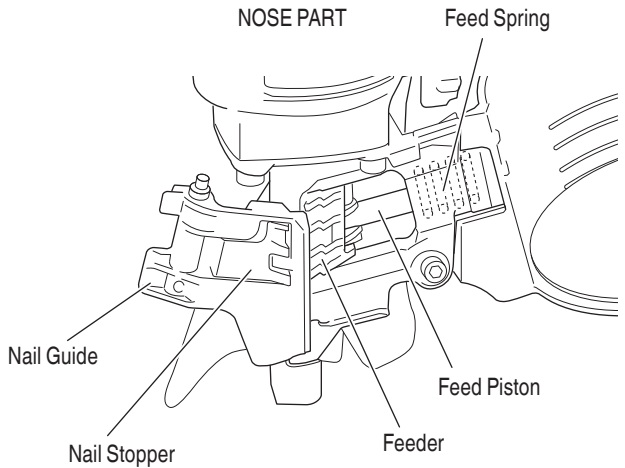
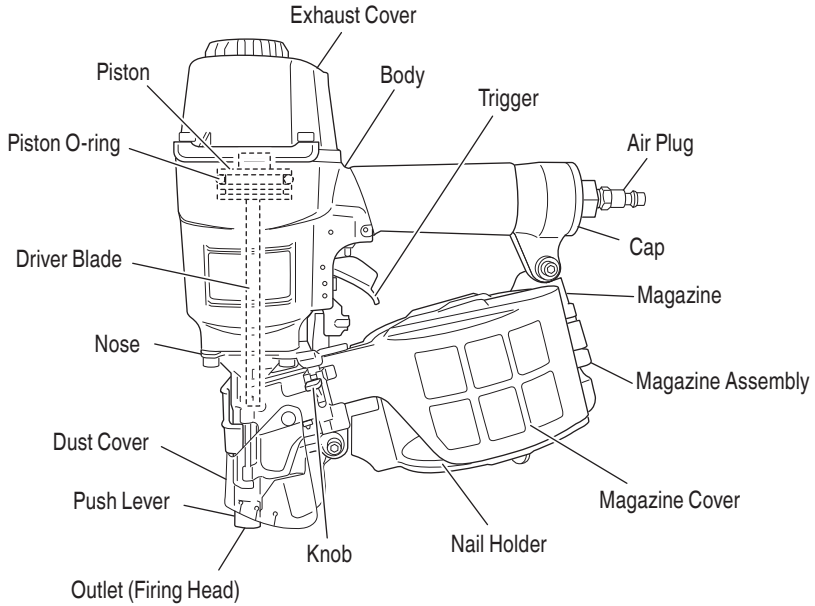
**SAVE THIS MANUAL AND
KEEP IT AVAILABLE FOR OTHERS!**

OPERATION

NOTE: The information contained in this Manual is designed to assist you in the safe operation of the Nailer.

Some illustrations in this Manual may show details or attachments that differ from those on your own Nailer.

NAME OF PARTS



SPECIFICATIONS

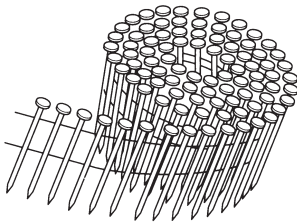
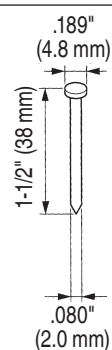
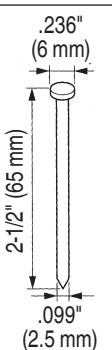
Operating pressure	80 – 120 psi (5.4 – 8.3 bar 5.5 – 8.5 kgf/cm ²)
Dimensions Length x Height x Width	12" x 12-7/16" x 5-13/64" (305 mm x 316 mm x 132 mm)
Weight	5.9 lbs (2.7 kg)
Nail capacity	200 – 300 nails (1 coil)
Air consumption	.049 ft ³ /cycle at 100 psi (1.4 ltr/cycle at 6.9 bar) (1.4 ltr/cycle at 7 kgf/cm ²)
Air inlet	3/8 NPT Thread

NAIL SELECTION

⚠ WARNING

- Be sure to use only the genuine HITACHI nails for the NV65AN. The use of any other nails can result in tool malfunction and/or nail breakdown, leading to serious injuries.

Only nails shown in the Table below can be driven with this Nailer.

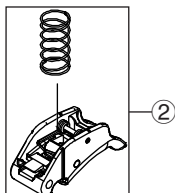
	Min.	Max.
 <p>Wire-collated coil nails</p>	 <p>.189" (4.8 mm)</p> <p>1-1/2" (38 mm)</p> <p>.080" (2.0 mm)</p>	 <p>.236" (6 mm)</p> <p>2-1/2" (65 mm)</p> <p>.099" (2.5 mm)</p>

ACCESSORIES

⚠ WARNING

- Accessories other than those shown below can lead to malfunction and resulting injuries.

STANDARD ACCESSORIES



NV65AN, NV65AN(S)

① Eye protection 1

NV65AN

② Sequential actuation trigger kit..... 1

OPTIONAL ACCESSORIES

- Pneumatic Tool Lubricant ... sold separately
 - .8 oz. (25 cc) oil feeder (Code No. 877153)
 - 4 oz. (120 cc) oil feeder (Code No. 874042)
 - 1 quart (1 ltr) can (Code No. 876212)

NOTE: Accessories are subject to change without any obligation on the part of HITACHI.

APPLICATIONS

- Making wooden palettes, drums, and export wooden boxes.
- Packing operations in manufacturing plants, and other types of packing and crating work in general.
- Construction wooden work such as floor and wall framing, roof decking, subflooring.
- Mobile and modular home construction.

BEFORE OPERATION

Read section titled "SAFETY" (pages 4 - 7).

Make sure of the followings before operation.

WORKING ENVIRONMENT

⚠ WARNING

- No flammable gas, liquid or other flammable objects at worksite.
- Clear the area of children or unauthorized personnel.

AIR SUPPLY

⚠ DANGER



- NEVER use oxygen or other bottled gases. Explosion may occur.

⚠ WARNING

- Never connect Nailer to pressure which potentially exceeds 200 psi (13.7 bar 14 kgf/cm²).
- Never use non relieving coupler on Nailer.

1. Power source
 - Use only clean, dry, regulated compressed air as a power source for this Nailer.

- Air compressors used to supply compressed air to this Nailer must comply with the requirements of the latest version of ANSI Standard B 19.3 "Safety Standard For Compressors For Process Industries."
- Moisture or oil in the air compressor may accelerate wear and corrosion in the Nailer. Drain daily.

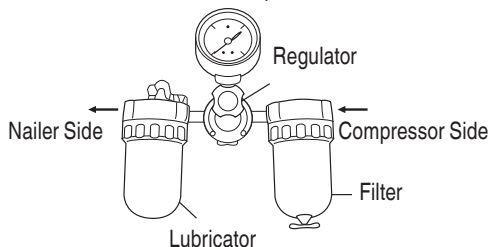
2. Filter-Regulator-Lubricator

- Use a regulator with a pressure range of 0 - 120 psi (0 - 8.3 bar 0 - 8.5 kgf/cm²).
- Filter-regulator-lubricator units supply an optimum condition for the Nailer and extend the Nailer life. These units should always be used.

FilterThe filter removes moisture and dirt mixed in compressed air. Drain daily unless fitted with an automatic drain. Keep the filter clean by regular maintenance.

Regulator.....The regulator controls the operating pressure for safe operation of the Nailer. Inspect the regulator before operation to be sure it operates properly.

LubricatorThe lubricator supplies an oil mist to the Nailer. Inspect the lubricator before operation to be sure the supply of lubricant is adequate. Use Hitachi pneumatic tool lubricant.



3. Air hose

Air hose must have a minimum working pressure rating of 150 psi (10.4 bar 10.6 kgf/cm²) or 150% of the maximum pressure produced in the system, whichever is higher.

4. Air consumption

Using the Air consumption table and the Air compressor size formula, find a correct compressor size.

Air consumption table

Operating pressure	psi	80	90	100
	(bar)	(5.5)	(6.2)	(6.9)
	(kgf/cm ²)	(5.6)	(6.3)	(7)
Air consumption	ft ³ /cycle	.039	.042	.049
	(litr/cycle)	(1.1)	(1.2)	(1.4)

Air compressor size formula

Amount of air required

=number of Nailers

× average nails driven each minute per Nailer

× air consumption at given air pressure

× safety factor (always 1.2)

Example: 2 Nailers operating at 100 psi driving 30 nails per minute

Amount of air required

=2 × 30 × .049 (1.4) × 1.2

=3.5 CFM (ft³/min) (101 ltr/min)

After making the calculations as shown above, you should find a compressor providing 3.5 CFM of air that is required.

LUBRICATION

It is important that the Nailer be properly lubricated.

Without proper lubrication, the Nailer will not work properly and parts will wear prematurely.

- Use Hitachi pneumatic tool lubricant.
Do not use detergent oil or additives. These lubricants will harm the O-rings and other rubber parts. This will cause the Nailer to malfunction.
- Filter-regulator-lubricator units should always be used.
Keep the lubricator filled with Hitachi pneumatic tool lubricant.
- If a lubricator is not available, supply 5 – 10 drops of Hitachi pneumatic tool lubricant into the air plug on the Nailer twice a day.

COLD WEATHER CARE

- Do not store the Nailer in a cold weather environment. Keep the Nailer in a warm area until beginning the work.
- If the Nailer is already cold, bring it in a warm area and allow the Nailer to warm up before use.
 - ① Reduce the air pressure to 80 psi (5.4 bar 5.5 kgf/cm²).
 - ② Remove all nails from the Nailer.
 - ③ Connect the air hose and free-fire (blank-fire) the Nailer.
The lowered air pressure will be enough to free-fire the Nailer.
Slow speed operation tends to warm up the moving part.

⚠ CAUTION

- Do not free-fire the Nailer at high pressure.

TESTING THE NAILER

⚠ DANGER



- Operators and others in work area **MUST** wear safety glasses with side shields which conforms to ANSI Z87.1 specifications.

⚠ WARNING

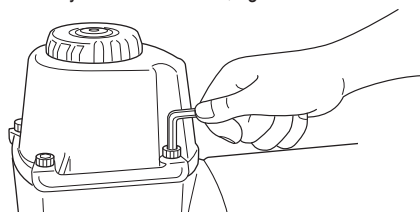
- Never use Nailer unless push lever is operating properly.

Before actually beginning the nailing work, test the Nailer by using the checklist below. Conduct the tests in the following order.

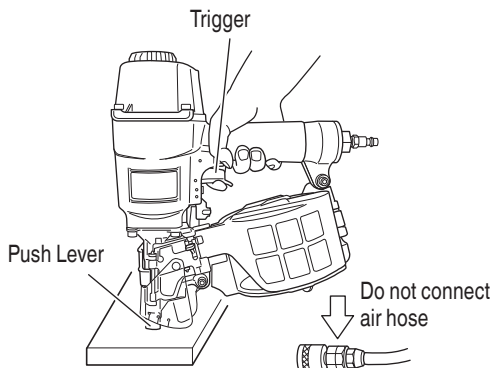
If abnormal operation occurs, stop using the Nailer and contact a Hitachi authorized service center immediately.

- (1) DISCONNECT AIR HOSE FROM NAILER.
REMOVE ALL NAILS FROM NAILER.

- ALL SCREWS MUST BE TIGHTENED.
If any screws are loose, tighten them.

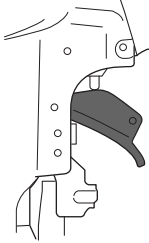


- THE PUSH LEVER AND TRIGGER MUST MOVE SMOOTHLY.



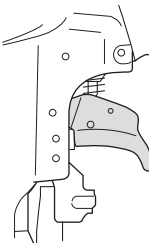
- (2) Adjust the air pressure to 70 psi (4.9 bar 5 kgf/cm²).
Connect the air hose.
- (3) REMOVE ALL NAILS FROM NAILER.
Do not push or rest Push Lever against any surface or
Switching device will not turn.

CONTACT ACTUATION MECHANISM Identified by: BLACK TRIGGER

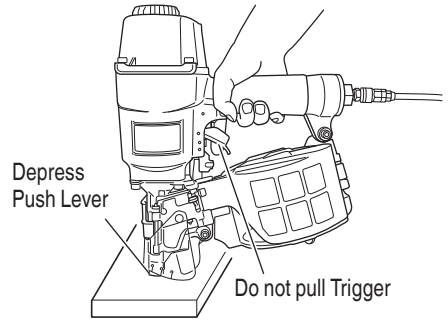


- (1) With the Nailer off the wood, pull the Trigger.
Next, depress the Push Lever against the wood.
 THE NAILER MUST OPERATE.
- (2) Next, depress the Push Lever against the workpiece.
Now pull the Trigger.
 THE NAILER MUST OPERATE.
- (3) If no abnormal operation is observed, you may load
nails in the Nailer.
Drive nails into the workpiece that is the same type to
be used in the actual application.
 THE NAILER MUST OPERATE PROPERLY.

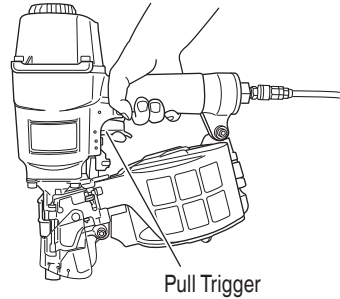
SINGLE SEQUENTIAL ACTUATION MECHANISM Identified by: RED TRIGGER



- (1) Remove the finger from the trigger and press the
push lever against the wood.
 THE NAILER MUST NOT OPERATE.

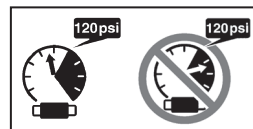


- (2) Separate the push lever from the wood.
Next, point the nailer downward, pull the trigger and
then wait in that position for 5 seconds or longer.
 THE NAILER MUST NOT OPERATE.



- (3) First pull the Trigger.
Next, depress the Push Lever against the wood.
 THE NAILER MUST NOT OPERATE.
- (4) Without touching the Trigger, depress the Push Lever
against the wood.
Next, pull the Trigger.
 THE NAILER MUST OPERATE.

ADJUSTING AIR PRESSURE



- Do not exceed
120 psi (8.3 bar
8.5 kgf/cm²).

Adjust the air pressure at recommended operating pressure 80 – 120 psi (5.4 – 8.3 bar 5.5 – 8.5 kgf/cm²) according to the length of nails and the hardness of workpiece.

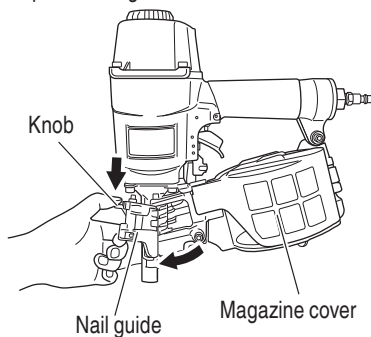
The correct air pressure is the lowest pressure which will do the job. Using the Nailer at a higher than required air pressure unnecessarily over stresses the Nailer.

LOADING NAILS

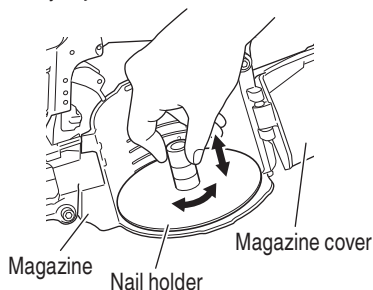
⚠ WARNING

- When loading nails into Nailer,
 - 1) do not pull trigger;
 - 2) do not depress push lever; and
 - 3) keep Nailer pointed downward.

- (1) Grip the nail guide and knob with finger. Press the knob down and swing the nail guide open. And open the magazine cover.

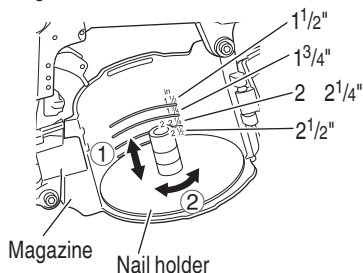


- (2) Adjust the position of the plate according to the nail length. The nail will not feed smoothly if the plate is not correctly adjusted.

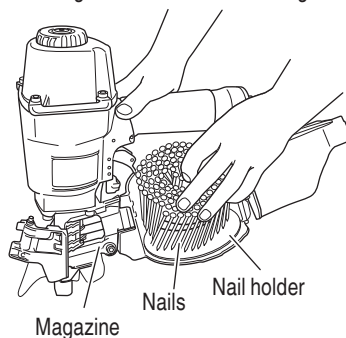


NOTE: Before loading nails in the magazine, adjust the plate. If the magazine cover is forcibly closed without adjusting the plate correctly, the nail holder may be damaged.

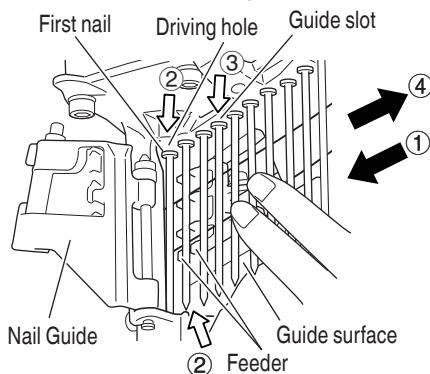
- ① Slide in vertical direction possible. Lift or lower the nail holder to accept different length nails.
- ② Adjust the plate to the nail length reference points on the magazine cover and turn the nail holder 45 degrees.



- (3) Place the nail coil into the magazine. Uncoil enough nails to reach the driving hole.

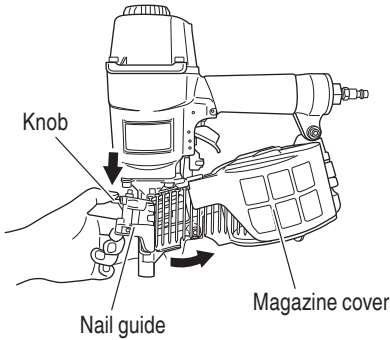


- (4)
 - ① Uncoil enough nails to reach the driving hole.
 - ② Insert the first nail into the driving hole and the second nail between the two pawls of the feeder.
 - ③ Fit the nail heads in the guide slot.



- (4)
 - ④ Pulling the nails to the right, swing the nail guide closed.

- (5) Close the magazine cover first and swing the nail guide closed.
- (6) Lock the knob correctly.



NOTE: Be careful not to deform the collated wires and not to disengage the nails with the guide surface. Otherwise, the nail guide will not close correctly.

NAILER OPERATION

Read section titled "SAFETY" (pages 4 - 7).

⚠ DANGER



- Operators and others in work area **MUST** wear safety glasses with side shields which conforms to ANSI Z87.1 specifications.

⚠ WARNING



- **NEVER** point tool at yourself or others in work area.
- Keep fingers **AWAY** from trigger when not driving nails to avoid accidental firing.
- Choice of triggering method is important. Please read and understand "Methods of Operation" below.
- Before starting work, check the types of operation to drive nails.
- Never place your hands or feet closer than 8 inches (200 mm) from firing head when using.

- Do not drive nails on top of other nails or with Nailer at too steep of an angle; nails can ricochet and hurt someone.
- Do not drive nails into thin boards or near corners and edges of workpiece. Nails can be driven through or away from workpiece and hit someone.
- Never drive nails from both sides of a wall at the same time. Nails can be driven into and through the wall and hit a person on the opposite side.
- Never use Nailer which is defective or operating abnormally.
- Do not use Nailer as hammer.
- Disconnect air hose from Nailer when:
 - 1) it is not in use;
 - 2) leaving work area;
 - 3) moving it to another location; and
 - 4) handing it to another person;

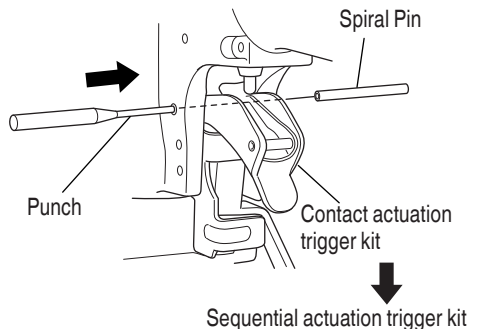
There are two types of operation to drive nails with this Nailer.

Use CONTACT ACTUATION MECHANISM or SINGLE SEQUENTIAL ACTUATION MECHANISM in accordance with the work to be performed.

Explanation of the various nailing operations

- CONTACT ACTUATION MECHANISM: First, press the push lever against the wood; next, pull the trigger to drive the nail. Or, pull the trigger; next, press the push lever against the wood to drive the nail. If the trigger is held back, a nail will be driven each time the push lever is pressed against the wood.

NV65AN is shipped with CONTACT ACTUATION KIT. When switching from CONTACT ACTUATION KIT TO SEQUENTIAL ACTUATION KIT, replace to SEQUENTIAL ACTUATION KIT.



- SINGLE SEQUENTIAL ACTUATION MECHANISM:
First, press the push lever against the wood; next, pull the trigger to drive the nail.
After nailing once, nailing will not be possible again until the trigger is released and pressed again.

METHODS OF OPERATION

This Nailer is equipped with the push lever and does not operate unless the push lever is depressed (upward position).

There are three methods of operation to drive nails with this Nailer.

They are:

1. Intermittent operation (Trigger fire):
CONTACT ACTUATION MECHANISM, SINGLE SEQUENTIAL ACTUATION MECHNISM
 2. Continuous operation (Push lever fire):
CONTACT ACTUATION MECHANISM
 3. Single sequential operation (Trigger fire):
SINGLE SEQUENTIAL ACTUATION MECHANISM
- (1) Intermittent operation (Trigger fire)

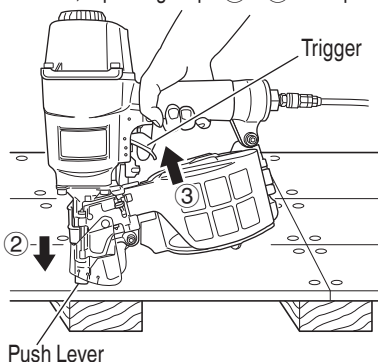
⚠ WARNING

- To avoid double firing or accidental firing due to recoil.

1) Pull the trigger rapidly and firmly.

- ① Position the nail outlet on the workpiece with finger off the trigger.
- ② Depress the push lever firmly until it is completely depressed.
- ③ Pull the trigger to drive a nail.
- ④ Remove finger from the trigger.

To continue nailing in a separate location, move the nailer along the wood, repeating steps ① – ④ as required.



⚠ WARNING

- A nail will fire each time the trigger is depressed as long as the push lever remains depressed.

- (2) Continuous operation (Push lever fire)
Using CONTACT ACTUATION MECHANISM

⚠ WARNING

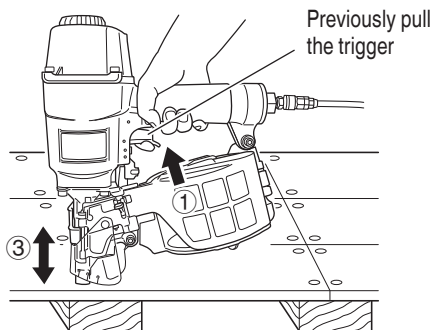
- To avoid double firing or accidental firing due to recoil.

1) Do not press the nailer against the wood with excessive force.

2) Separate the nailer from the wood as it recoils after nailing.

- ① Pull the trigger with the Nailer off the workpiece.
- ② Depress the push lever against the workpiece to drive a nail.
- ③ Move the Nailer along the workpiece with a bouncing motion.

Each depression of the push lever will drive a nail. As soon as the desired number of nails have been driven, remove finger from the trigger.



- (3) Single sequential operation (Trigger fire)

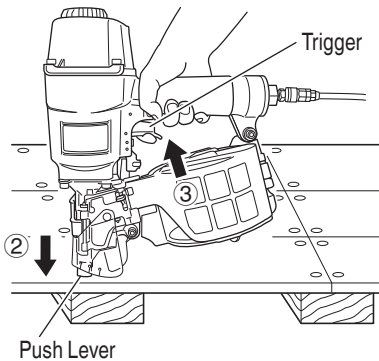
⚠ WARNING

- To avoid double firing or accidental firing due to recoil.

1) Pull the trigger rapidly and firmly.

- ① Position the nail outlet on the workpiece with finger off the trigger.
- ② Depress the push lever firmly until it is completely depressed.
- ③ Pull the trigger to drive a nail.
- ④ Remove finger from the trigger.

To continue nailing in a separate location, move the nailer along the wood, repeating steps ① - ④ as required.



⚠ WARNING

- Keep your finger off the trigger except during fastening operation, because serious injury could result if the push lever accidentally contacts you or others in work area.
- Keep hands and body away from the discharge area. This Hitachi nailer may bounce from the recoil of driving a fastener and unwanted subsequent fastener may be driven, possibly causing injury.
- Some types of loaded nails can spark out of the muzzle during a nail driving operation. Exercise caution!

The SINGLE SEQUENTIAL ACTUATION MECHANISM is for use where precision fastener placement is desired.

The SINGLE SEQUENTIAL ACTUATION MECHANISM may reduce the possibility of bodily injury to you or others in the work area compared to the CONTACT ACTUATION MECHANISM. **This is because it is less likely to drive an unwanted nail if you keep the trigger pulled and accidentally bump the push lever against yourself or others.**

The SINGLE SEQUENTIAL ACTUATION MECHANISM may also reduce the speed of operation compared to the CONTACT ACTUATION MECHANISM. The SINGLE SEQUENTIAL ACTUATION MECHANISM is recommended to inexperienced users.

NOTE:

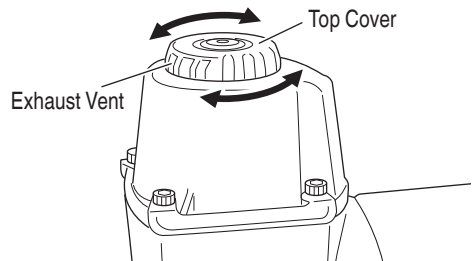
- If all warnings and instructions are followed, safe operation is possible with two systems: CONTACT ACTUATION MECHANISM and SINGLE SEQUENTIAL ACTUATION MECHANISM.
- Always handle nails and package carefully. If nails are dropped, collating wire may be broken.
- After nailing:
 - 1) disconnect air hose from the Nailer;
 - 2) remove all nails from the Nailer;
 - 3) supply 5 - 10 drops of Hitachi pneumatic tool lubricant into the air plug on the Nailer; and
 - 4) open the petcock on the air compressor tank to drain any moisture.

CHANGING THE EXHAUST DIRECTION

⚠ WARNING

- When changing the exhaust direction, be sure to remove your finger from the trigger and disconnect the air hose from the nailer.

The direction of the exhaust vent can be changed by turning the top cover.



MAINTENANCE

NOTE: The information contained in this Manual is designed to assist you in the safe maintenance of the Nailer.

Some illustrations in this Manual may show details or attachments that differ from those on your own Nailer.

MAINTENANCE AND INSPECTION

Read section titled "SAFETY" (pages 4 - 7).

⚠ WARNING

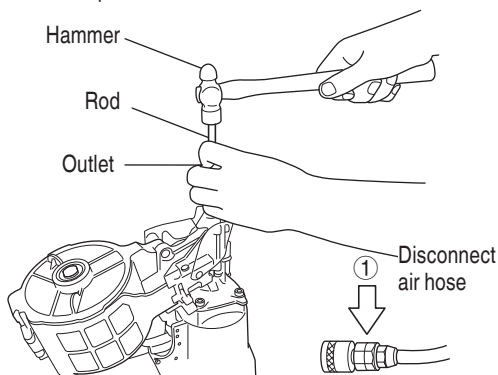
● **Disconnect air hose and remove all nails from Nailer when:**

- 1) **doing maintenance and inspection; and**
- 2) **clearing a jam.**

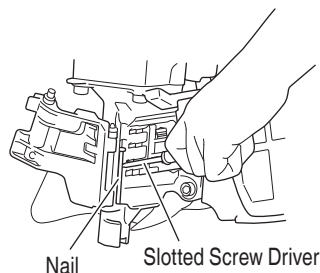
1. Clearing a jam

Remove a jammed nail in the following order:

- ① DISCONNECT AIR HOSE.
- ② Open the nail guide.
- ③ Insert a rod into the outlet.
Tap the rod with a hammer.



- ④ Remove the jammed nail with a slotted screw driver.

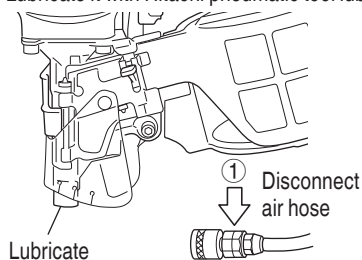


- ⑤ Cut the deformed collated wire with nippers.
Correct the deformation.

- ⑥ In case of frequent jam, contact a Hitachi authorized service center.

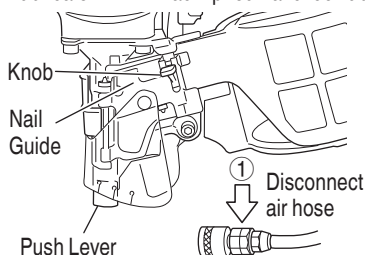
2. Inspecting the push lever

- ① DISCONNECT AIR HOSE.
- ② Clean the push lever sliding part.
Lubricate it with Hitachi pneumatic tool lubricant.

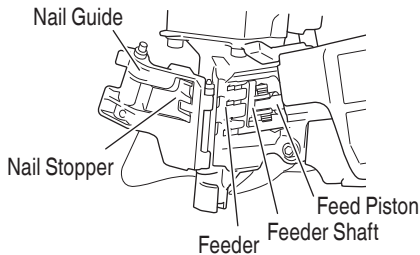


3. Inspecting the feeders

- ① DISCONNECT AIR HOSE.
- ② Clean the knob sliding part.
Lubricate it with Hitachi pneumatic tool lubricant.



- ③ Open the nail guide and remove dust.
Lubricate the sliding groove of the feeder and shafts.

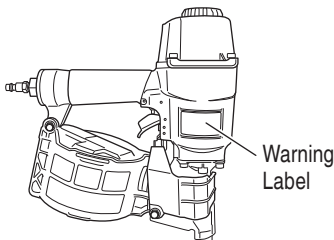


- ④ Lubricate the feeding surfaces of the nose and the nail guide after cleaning. This promotes smooth operation and prevents rust.

⚠ CAUTION

- Check that the nail stopper slides smoothly by pushing them with finger. If not smooth, nails can be driven at an irregular angle and hurt someone.

- 4. Inspecting the magazine
 - ① DISCONNECT AIR HOSE.
 - ② Clean the magazine. Remove dust or wooden tips which may have accumulated in the magazine.
- 5. Storing
 - When not in use for an extended period, apply a thin coat of the lubricant to the steel parts to avoid rust.
 - Do not store the Nailer in a cold weather environment. Keep the Nailer in a warm area.
 - When not in use, the Nailer should be stored in a warm and dry place. Keep out of reach children.
- 6. WARNING LABEL
Change the WARNING LABEL if missing or damaged.
A new WARNING LABEL is available from a Hitachi authorized service center.



- 7. Maintenance chart (See page 19)
- 8. Operator troubleshooting (See page 19)
- 9. Service parts list

⚠ CAUTION

- Repair, modification and inspection of Hitachi Power Tools must be carried out by a Hitachi Authorized Service Center. This Parts List will be helpful if presented with the tool to the Hitachi Authorized Service Center when requesting repair or other maintenance. In the operation and maintenance of power tools, the safety regulations and standards prescribed in each country must be observed.

MODIFICATIONS:

Hitachi Power Tools are constantly being improved and modified to incorporate the latest technological advancements. Accordingly, some parts may be changed without prior notice.

SERVICE AND REPAIRS

⚠ WARNING

- Only service personnel trained by Hitachi, distributor or employer shall repair the Nailer.
- Use only parts supplied or recommended by Hitachi for repair.

All quality Nailers will eventually require servicing or replacement of parts because of wear from normal use.

NOTE: Specifications are subject to change without any obligation on the part of HITACHI.

Maintenance chart

ACTION	WHY	HOW
Drain air line filter daily.	Prevent accumulation of moisture and dirt.	Open manual petcock.
Keep lubricator filled.	Keep the Nailer lubricated.	Fill with Hitachi pneumatic tool lubricant.
Clean filter element — then blow air through filter in direction opposite to normal flow.	Prevent clogging of filter with dirt.	Follow manufacturer's instructions.
Clean magazine and feeder mechanism.	Prevent a jam.	Blow clean daily.
Keep push lever working properly.	Promote operator safety and efficient Nailer operation.	Blow clean daily.
Lubricate the Nailer after nailing.	Extend the Nailer life.	Supply 5 – 10 drops of lubricant into the Nailer.
Drain air compressor.	Keep the Nailer operated properly.	Open petcock on air compressor tank.

Operator troubleshooting

Most minor problems can be resolved quickly and easily using the table below.

If problems persist, contact a Hitachi authorized service center for assistance.

PROBLEM	CHECK METHOD	CORRECTION
Nailer operates, but no nail is driven.	Check for a jam.	Clear a jam.
	Check function of nail feeder per page 17.	Clean and lubricate.
	Check for proper nails.	Use only recommended nails.
Weak drive. Slow to cycle.	Check air pressure.	Increase air pressure. (Do not exceed 120 psi (8.3 bar 8.5 kgf/cm ² .)
	————	Use Hitachi pneumatic tool lubricant.
	Driver blade worn?	Contact Hitachi for replacement.
	Piston O-ring worn or damaged?	
Drives too deep.	Check air pressure.	Reduce air pressure. (Adjust 80 – 120 psi)
Skipping nails. Intermittent feed.	Check for proper nails.	Use only recommended nails.
	Check function of nail feeder per page 17.	Clean and lubricate.
	Check position of nail holder in magazine per page 13.	Adjust nail holder to proper position.
	————	Use Hitachi pneumatic tool lubricant.
	Piston O-ring cut or heavily worn?	Contact Hitachi for replacement.
Nails jam. Driven nail is bent.	Check for proper nails.	Use only recommended nails.
	Driver blade worn?	Contact Hitachi for replacement.
Drives properly during normal operation, but does not drive fully at faster nailing speeds.	Check inside diameter of air hose.	Use larger air hose.

INFORMATION IMPORTANTE DE SÉCURITÉ



Lire et bien assimiler toutes les étiquettes de l'outil ainsi que toutes les instructions de fonctionnement, les consignes de sécurité et les avertissements de ce mode d'emploi avant d'utiliser ou d'entretenir ce cloueur.

Le non respect des avertissements pourrait entraîner la MORT ou des BLESSURES GRAVES.

La plupart des accidents résultant de l'utilisation ou de l'entretien des cloueurs sont dus au non respect de certaines consignes et précautions de sécurité élémentaires. Un accident peut souvent être évité en reconnaissant une situation potentiellement dangereuse avant qu'elle ne se produise, et en respectant les procédures de sécurité applicables.

Les consignes de sécurité élémentaires sont données dans la section "SECURITE" du manuel et dans les sections relatives aux instructions d'utilisation et d'entretien.

Les dangers à éviter pour empêcher tout risque de blessures ou de dommage de l'outil sont identifiés par les mots DANGER et AVERTISSEMENT, sur le cloueur et dans ce manuel.

NE JAMAIS utiliser ce cloueur pour des applications autres que celles qui sont spécifiées dans ce manuel.

DEFINITION DES MOTS DE SIGNALISATION

DANGER indique une situation imminente dangereuse qui, si elle n'est pas évitée, entraînera la mort ou des blessures graves.

AVERTISSEMENT indique une situation potentiellement dangereuse qui, si elle n'est pas évitée, risque d'entraîner la mort ou des blessures graves.

ATTENTION indique une situation potentiellement dangereuse qui, si elle n'est pas évitée, risque d'entraîner des blessures légères ou modérées, ou d'endommager l'outil.

REMARQUE met en relief les informations essentielles.

EXPLICATION DE L'ACTION DE CLOUAGE DU CLOUEUR HITACHI

- MÉCANISME DE DÉCLENCHEMENT SÉQUENTIEL UNIQUE:
Appuyer tout d'abord le levier-poussoir contre le bois, puis tirer sur la gâchette pour enfoncer le clou.
Quand un clou est enfoncé, il n'est plus possible d'enfoncer un autre clou tant que l'on n'a pas relâché la gâchette et appuyé à nouveau.
- MÉCANISME DE DÉCLENCHEMENT PAR CONTACT :
Appuyer tout d'abord le levier-poussoir contre le bois, puis tirer sur la gâchette pour enfoncer le clou.
Tirer tout d'abord sur la gâchette, puis appuyer le levier-poussoir contre le bois pour enfoncer le clou.
Si la gâchette est maintenue tirée, un clou s'enfonce chaque fois que l'on appuie le levier-poussoir contre le bois.

SECURITE

CONSIGNES DE SÉCURITÉ IMPORTANTES POUR L'UTILISATION DU CLOUEUR

CONSIGNES RELATIVES À UN RISQUE D'INCENDIE, DE CHOC ÉLECTRIQUE OU DE BLESSURES CORPORELLES

● Généralités

Afin de réduire les risques de choc électrique, d'incendie et de blessures physiques, **LIRE TOUTES LES INSTRUCTIONS AVANT D'UTILISER L'OUTIL.**

⚠ DANGER

1. LES OPÉRATEURS ET LES AUTRES PERSONNES DANS L'AIRE DE TRAVAIL DOIVENT PORTER UNE PROTECTION OCULAIRE (LUNETTES DE PROTECTION AVEC ÉCRANS LATÉRAUX).



Quand on utilise le cloueur, toujours porter des lunettes de protection avec visières latérales, et veiller à ce que les autres personnes dans la zone de travail en portent également.

Les lunettes de protection devront respecter les exigences de l'ANSI (American National Standards Institute) Z87.1 et assurer la protection contre les projections de particules arrivant par l'avant et par le côté.

L'employeur doit veiller à ce que la personne qui utilise le cloueur et les autres personnes dans l'aire de travail portent des lunettes de protection.

2. NE JAMAIS UTILISER D'OXYGÈNE NI AUCUN AUTRE GAZ EN BOUTEILLE. IL POURRAIT SE PRODUIRE UNE EXPLOSION.



Ne jamais utiliser d'oxygène, de gaz combustibles ni aucun autre gaz en bouteille comme source d'alimentation du cloueur.

L'utilisation de ces gaz serait dangereuse, car le cloueur exploserait. Utiliser exclusivement de l'air comprimé propre, sec et régulé.

⚠ AVERTISSEMENT

3. NE JAMAIS DIRIGER L'OUTIL VERS SOI NI VERS QUELQU'UN D'AUTRE DANS L'AIRE DE TRAVAIL.



Toujours supposer que le cloueur renferme des clous.

Ne jamais diriger le cloueur vers soi, ni vers quelqu'un d'autre, qu'il renferme des clous ou non.

Si l'on enfonce des clous par erreur, cela risque de provoquer des blessures graves.

Ne jamais s'amuser avec le cloueur.

Le cloueur est un instrument de travail. Le respecter.

Ne jamais transporter l'outil avec le doigt sur la gâchette, car on risquerait d'enfoncer accidentellement un clou et de se blesser ou de blesser quelqu'un d'autre.

Toujours transporter le cloueur exclusivement par sa poignée.

5. LE CHOIX DE LA MÉTHODE D'UTILISATION DE LA GÂCHETTE EST IMPORTANT.

Lire et bien assimiler la section intitulée "MÉTHODES D'UTILISATION". (pages 33 – 35)

4. NE PAS PLACER DE DOIGTS SUR LA GÂCHETTE ET LES MAINTENIR ÉLOIGNÉS DE CELLE-CI QUAND ON N'EFFECTUE PAS DE CLOUAGE POUR ÉVITER TOUT RISQUE DE DÉCLENCHEMENT ACCIDENTEL.

6. NE PAS ENTRER EN CONTACT AVEC L'EMBOUT DE SÉCURITÉ (LEVIER-POUSOIR) QUAND ON N'EFFECTUE PAS DE CLOUAGE.

SECURITE — Suite

⚠ AVERTISSEMENT

Lors de l'utilisation de ces outils, des précautions de base doivent être respectées, notamment:

1. Zone de travail

- (1) **Maintenir la zone de travail propre et bien éclairée.**

Les zones sombres et encombrées augmentent les risques de choc électrique, d'incendie ou blessures physiques.

- (2) **Ne pas utiliser le cloueur dans un endroit présentant un risque d'explosion, par exemple en présence de poussière, de gaz ou de liquides inflammables.**

Le cloueur peut provoquer des étincelles susceptibles d'enflammer la poussière ou les vapeurs.

- (3) **Maintenir les passants, enfants et visiteurs à l'écart pendant l'utilisation du cloueur.** Toute distraction peut provoquer la perte de contrôle du cloueur.

2. Sécurité personnelle

- (1) **Rester sur ses gardes. Regarder ce que l'on fait et faire preuve de bon sens en utilisant le cloueur. Ne pas utiliser le cloueur lorsqu'on est fatigué ou sous l'emprise de drogue, d'alcool ou de médicaments.**

Tout moment d'inattention pendant l'utilisation du cloueur augmente le risque de blessures physiques.

- (2) **Porter des vêtements appropriés. Ne pas porter de vêtements amples ou de bijoux. Si l'on a les cheveux longs, les maintenir sous un couvre-chef. Maintenir les cheveux, vêtements et gants à l'écart des pièces mobiles.**

Les vêtements amples, les bijoux et les cheveux longs augmentent le risque de blessures physiques car ils peuvent être entraînés par les pièces mobiles.

- (3) **Éviter toute mise en marche accidentelle. Vérifier que le commutateur est sur arrêt avant de brancher le tuyau d'air.** Ne pas transporter le cloueur en gardant le doigt sur le commutateur ou raccorder le tuyau d'air quand le commutateur est sur marche.

- (4) **⚠ AVERTISSEMENT** – **Débrancher le tuyau d'air du cloueur quand on effectue des réglages ou l'entretien, on retire des clous coincés, on actionne le levier-poussoir, on ne s'en sert pas, on quitte l'aire de travail, on le charge ou le décharge, on le passe à quelqu'un d'autre.** Ne jamais essayer de retirer des clous

coincés ou de réparer le cloueur si le tuyau d'air n'est pas débranché et que les clous restants n'ont pas été retirés du cloueur. Le cloueur ne doit jamais rester sans surveillance car des personnes non familiarisées avec ce type d'outil pourraient le manipuler et se blesser.

Ces mesures de précaution réduisent le risque de blessures physiques.

- (5) **Ne pas trop se pencher. Conserver une bonne assise et un bon équilibre en permanence.**

Une bonne assise et un bon équilibre favorisent un meilleur contrôle du cloueur dans des situations inattendues.

- (6) **Utiliser des équipements de sécurité.** Utiliser un masque anti-poussière, des chaussures de sécurité antidérapantes et un casque de sécurité lorsque les conditions l'exigent.

- (7) **⚠ AVERTISSEMENT** – **Risque de perte auditive. Porter des protections auditives.**

- (8) **Toujours porter un casque. Toujours porter un casque pour se protéger la tête contre les projectiles.**

- (9) **Ne pas attacher le tuyau ou le cloueur à votre corps.**

Attacher le tuyau à la structure pour réduire le risque de perte d'équilibre en cas de mouvements brusques du tuyau.

- (10) **⚠ AVERTISSEMENT** – **Placer le cloueur correctement sur la pièce.** Ne pas enfoncer de clou sur un autre clou. Celui-ci pourrait ricocher et blesser quelqu'un, ou provoquer une réaction inattendue du cloueur susceptible d'entraîner une blessure physique.

3. Utilisation et entretien du cloueur

- (1) **Utiliser des serre-joints ou tout autre moyen pratique pour maintenir la pièce sur une surface stable en toute sécurité.**

Maintenir la pièce à la main ou contre soi est une technique instable et peut provoquer une perte de contrôle.

- (2) **Ne pas forcer sur le cloueur.** Utiliser le cloueur approprié à votre usage. Le cloueur approprié effectuera la tâche en toute sécurité selon les spécifications pour lesquelles il est destiné.

SECURITE — Suite

⚠ AVERTISSEMENT

- (3) **Ne pas utiliser le cloueur si le commutateur ne permet pas de le mettre sur marche ou arrêté.** Tout cloueur ne pouvant pas être contrôlé par le commutateur est dangereux et doit être réparé.

Ne jamais utiliser un cloueur défectueux ou qui ne fonctionne pas normalement. Si le cloueur semble ne pas fonctionner comme d'habitude, qu'il émet des bruits bizarres ou qu'il semble défectueux, cesser immédiatement de l'utiliser et le faire réparer par un service après-vente Hitachi agréé.

- (4) **Débrancher le tuyau d'air du cloueur avant de procéder à des réglages, de changer des accessoires ou de le remiser.** Ces mesures de sécurité préventives réduisent le risque de déclenchement accidentel du cloueur.

- (5) **Remiser le cloueur, lorsqu'il est inutilisé, hors de portée des enfants et de toute personne non formée à son utilisation.** Un cloueur s'avère dangereux entre les mains de personnes non formées à son utilisation.

- (6) **Entretenir soigneusement le cloueur.** Veiller à ce que le cloueur soit toujours propre et graissé pour obtenir un fonctionnement optimal et en toute sécurité.

- (7) **Contrôler tout mauvais alignement ou grippage des pièces mobiles, toute rupture de pièces ou toute autre situation pouvant affecter le fonctionnement du cloueur.**

Si il est endommagé, faire réparer le cloueur avant toute nouvelle utilisation. En raison de la pression d'air élevée à l'intérieur du cloueur, les fissures en surface sont dangereuses. Pour éviter tout risque, ne pas faire tomber le cloueur ni le heurter contre des surfaces dures ; et ne pas le rayer ni y graver d'inscriptions. De nombreux accidents sont provoqués par des cloueurs mal entretenus. Il y a un risque d'éclatement si le cloueur est endommagé.

- (8) **Utiliser exclusivement des accessoires fournis ou recommandés par Hitachi pour ce cloueur spécifique.** L'utilisation d'un accessoire non destiné à ce cloueur spécifique augmente le risque de blessures physiques.

- (9) **Utiliser exclusivement les clous mentionnés dans la section Accessoires du présent manuel.**

Les clous non recommandés par Hitachi en vue d'une utilisation avec ce cloueur augmentent le risque de blessures physiques ou peuvent endommager le cloueur.

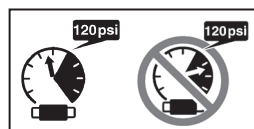
4. Entretien

- (1) L'entretien de cet outil doit être confié exclusivement au personnel d'entretien qualifié.
- (2) **Pour les réparations, utiliser exclusivement des pièces de rechange identiques. Utiliser exclusivement des pièces agréées.**
- (3) **Utiliser exclusivement la graisse fournie avec le cloueur ou recommandée par Hitachi.**

5. Alimentation d'air

- (1) **Ne jamais raccorder le cloueur à une pression qui risque de dépasser 200 psi (13,7 bars 14 kgf/cm²).**

Une pression excessive à l'intérieur du cloueur peut provoquer son éclatement, un fonctionnement anormal, la panne du cloueur ou des blessures physiques graves.



NE PAS DÉPASSER 120 psi (8,3 bars 8,5 kgf/cm²).

Utiliser exclusivement de l'air comprimé propre, sec et régulé à la pression nominale ou dans la plage de pression nominale indiquée sur le cloueur.

Toujours vérifier, avant d'utiliser le cloueur, que l'alimentation d'air a été ajustée en fonction de la pression d'air nominale ou dans la plage de pression d'air nominale stipulée.

- (2) **Ne jamais utiliser d'oxygène, de dioxyde de carbone, de gaz combustibles ou autre gaz en bouteille comme source d'alimentation du cloueur.** L'utilisation de ces gaz pourrait provoquer une explosion et causer de graves blessures physiques.

6. Autres

- (1) **Faire attention aux doubles activations dues au rappel.** Si on laisse le levier-poussoir entrer accidentellement en contact avec la pièce après le rappel, un clou risque d'être enfoncé. Pour éviter ce risque,

- Fonctionnement intermittent (déclenchement par gâchette)

SECURITE — Suite

⚠ AVERTISSEMENT

MÉCANISME DE DÉCLENCHEMENT PAR CONTACT, MÉCANISME DE DÉCLENCHEMENT SÉQUENTIEL UNIQUE.

1) Tirer sur la gâchette rapidement et fermement.

- Fonctionnement continu (déclenchement par levier-poussoir)

MÉCANISME DE DÉCLENCHEMENT PAR CONTACT

1) Ne pas appuyer le cloueur trop fort contre le bois.
2) Eloigner le cloueur du bois car il effectue un rappel après le clouage.

- (2) **Ne jamais utiliser de coupleur non dégageant sur le cloueur.** Si l'on utilise un coupleur non dégageant sur le cloueur, celui-ci risque de rester chargé d'air après le débranchement et, par conséquent, d'enfoncer un clou même après avoir été débranché. Le cloueur et le tuyau d'air doivent avoir un coupleur de tuyau de façon à ce que toute la pression soit évacuée du cloueur quand on débranche le joint de couplage.
- (3) **Vérifier le levier-poussoir avant l'utilisation.** S'assurer que le levier-poussoir fonctionne correctement. (Le levier-poussoir est parfois appelé "sécurité".) Ne jamais utiliser le cloueur si le levier-poussoir ne fonctionne pas correctement. Un clou pourrait s'enfoncer accidentellement. Ne pas toucher au levier-poussoir ni le retirer, car il pourrait ne plus fonctionner.
- (4) **Veiller à ce que toutes les vis et les couvercles soient en place et bien serrés.** Veiller à ce que les vis et les couvercles soient solidement fixés. Les vérifier périodiquement. Ne jamais utiliser le cloueur si des pièces sont manquantes ou sont endommagées.
- (5) **Ne pas charger de clous si la gâchette ou le levier-poussoir sont enfoncés.** Quand on charge des clous dans le cloueur ou qu'on raccorde le tuyau d'air,
 - 1) ne pas appuyer sur la gâchette;
 - 2) ne pas actionner le levier-poussoir; et
 - 3) diriger le cloueur vers le bas.
- (6) **Éloigner les mains et les pieds de la tête de clouage pendant l'utilisation.** Ne jamais approcher les mains ni les pieds à moins de 8 pouces (200 mm) de la tête de clouage. Il y a un risque de blessure grave si les clous sont déviés par la pièce ou qu'ils sont déportés au-delà du point d'entrée.

- (7) **Ne pas enfoncer de clous dans des planches fines ni près des coins et des bords de la pièce.**

Les clous pourraient traverser la pièce ou s'enfoncer ailleurs que dans la pièce et blesser quelqu'un.

- (8) **Ne jamais enfoncer de clous des deux côtés d'un mur en même temps.** Les clous pourraient traverser le mur et blesser quelqu'un de l'autre côté.

- (9) **Vérifier s'il y a des fils sous tension.** Pour éviter tout risque d'électrocution grave, vérifier s'il y a des fils sous tension dissimulés dans le mur, le plancher ou le plafond. Couper le disjoncteur pour s'assurer qu'il n'y a pas de fils sous tension.

- (10) **Ne pas transporter le cloueur par le tuyau.**

- (11) **Ne pas débrancher le tuyau d'air du cloueur avec le doigt sur la gâchette.** Le pourrait se déclencher lorsque l'alimentation d'air sera à nouveau raccordée.

- (12) **Manipuler le cloueur correctement.** Utiliser le cloueur en suivant les instructions du manuel. Ne jamais permettre que le cloueur soit utilisé par des enfants, des personnes non familiarisées avec son fonctionnement ou du personnel non autorisé.

- (13) **Ne jamais utiliser le cloueur pour des applications autres que celles spécifiées dans le présent manuel.**

- (14) **Ne jamais modifier ni altérer un cloueur.** Cela pourrait provoquer un mauvais fonctionnement et entraîner des blessures physiques.

- (15) **Ne pas retirer le couvercle à poussière.** Des fragments du fil de fixation des clous peuvent être éjectés.

- (16) **Fermer le guide-clous et ne pas l'ouvrir pendant le fonctionnement.** Si l'on enfonce des clous avec le guide-clous ouvert, ils risquent d'être déviés de la pièce.

SECURITE — Suite **AVERTISSEMENT****RESPONSABILITES DE L'EMPLOYEUR**

1. Veiller à ce que ce MANUEL reste à la disposition des personnes qui doivent utiliser ou entretenir le cloueur.
2. Veiller à ce que les cloueurs soient utilisés exclusivement lorsque les opérateurs et les autres personnes présentes dans l'aire de travail portent des LUNETTES DE PROTECTION.
3. Obliger les opérateurs et les autres personnes présentes dans l'aire de travail à porter des LUNETTES DE PROTECTION.
4. Maintenir les cloueurs en bon ordre de marche.
5. Entretenir les cloueurs correctement.
6. Veiller à ce que les cloueurs qui ont besoin d'être réparés ne soient plus utilisés avant d'être réparés.

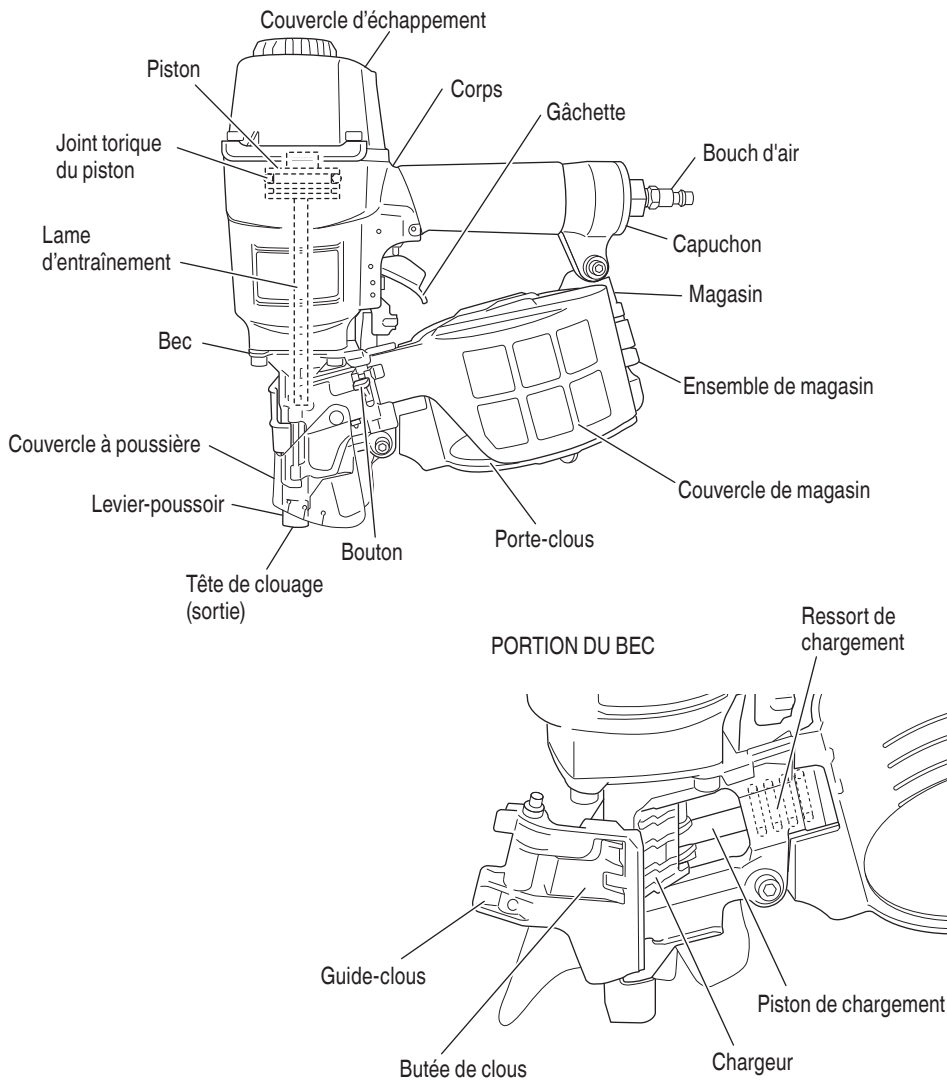
**CONSERVER CE MANUEL ET
LE METTRE A LA DISPOSITION DES
UTILISATEURS!**

UTILISATION

REMARQUE: Les informations contenues dans ce manuel ont pour but d'aider l'opérateur à utiliser le cloueur en toute sécurité.

Certaines des illustrations du manuel peuvent montrer des détails ou des accessoires qui diffèrent de ceux de votre cloueur.

NOM DES PIÈCES



SPECIFICATIONS

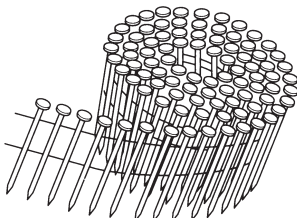
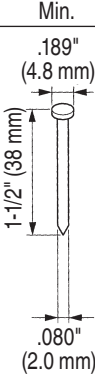
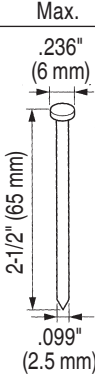
Pression d'utilisation	80 – 120 psi (5.4 – 8.3 bars, 5.5 – 8.5 kgf/cm ²)
Dimensions Longueur x Hauteur x Largeur	12" x 12-7/16" x 5-13/64" (305 mm x 316 mm x 132 mm)
Poids	5.9 lbs (2.7 kg)
Contenance de clous	200 – 300 clous (1 bobine)
Consommation d'air	.049 ft ³ /cycle à 100 psi (1.4 l/cycle à 6.9 bars) (1.4 l/cycle à 7 kgf/cm ²)
Arrivée d'air	Filetage 3/8 NPT

SELECTION DES CLOUS

⚠ AVERTISSEMENT

- Bien utiliser exclusivement les clous HITACHI d'origine avec le NV65AN. L'utilisation d'autres clous risque de provoquer un mauvais fonctionnement de l'outil et/ou une rupture des clous, et d'entraîner des blessures.

Seuls les clous indiqués dans le tableau ci-dessous pourront être utilisés avec ce cloueur.

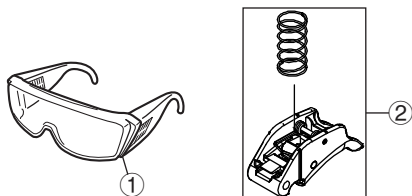
 <p>Bobine de clous fixés par fil</p>	<p>Min.</p>  <p>.189" (4.8 mm)</p> <p>1-1/2" (38 mm)</p> <p>.080" (2.0 mm)</p>	<p>Max.</p>  <p>.236" (6 mm)</p> <p>2-1/2" (65 mm)</p> <p>.099" (2.5 mm)</p>

ACCESSOIRES

⚠ AVERTISSEMENT

- Les accessoires autres que ceux indiqués ci-dessous risquent de mal fonctionner et de provoquer des blessures.

ACCESSOIRES STANDARD



NV65AN, NV65AN(S)

① Lunettes de protection 1

NV65AN

② Mécanisme de détente à commande séquentielle ... 1

ACCESSOIRES EN OPTION

... vendus séparément

- Huile de machine pneumatique
Alimenteur d'huile .8 oz (25 cc) (Code No. 877153)
Alimenteur d'huile 4 oz (120 cc) (Code No. 874042)
Alimenteur d'huile 1 quart (1 l) (Code No. 876212)

REMARQUE: Les accessoires sont sujets à modification sans préavis et sans aucune obligation de la part de HITACHI.

APPLICATIONS

- Pour les palettes en bois, les tambours et les caisses d'exportation en bois.
- Fabrication d'éléments d'emballage dans les usines de production, autres types d'emballages et autres travaux de réalisation de caisses à claire-voie.
- Construction en bois telle que plancher et coffrage de murs, faux comble de toit, structure de base de plancher.
- Construction de caravanes et de maisons modulaires.

AVANT L'UTILISATION

Lire la section intitulée "SECURITE" (pages 21 – 25).

Bien vérifier les points suivants avant de travailler.

ENVIRONNEMENT DE TRAVAIL

⚠ AVERTISSEMENT

- Pas de gaz ou liquides inflammables, ni aucun autre objet inflammable sur le chantier.
- Evacuer les enfants et les personnes non autorisées de l'aire de travail.

ALIMENTATION D'AIR

⚠ DANGER



- NE JAMAIS utiliser d'oxygène ni aucun autre gaz en bouteille. Il pourrait se produire une explosion.

⚠ AVERTISSEMENT

- Ne jamais raccorder le cloueur à une pression qui risque de dépasser 200 psi (13.7 bars 14 kgf/cm²).
- Ne jamais utiliser de coupleur non dégageant sur le cloueur.

1. Alimentation

- Utiliser exclusivement de l'air comprimé propre, sec et régulé avec ce cloueur.
- Les compresseurs d'air utilisés pour alimenter l'air comprimé au cloueur devront respecter les exigences ANSI B19.3 "Normes de sécurité pour les compresseurs des industries de transformation".
- L'humidité ou l'huile dans le compresseur d'air peuvent accélérer l'usure et la corrosion du cloueur. Purger tous les jours.

2. Filtre-régulateur-lubrificateur

- Utiliser un régulateur d'une pression comprise entre 0 – 120 psi (0 – 8.3 bars 0 – 8.5 kgf/cm²).
- Les unités filtre-régulateur-lubrificateur procureront les conditions optimales du cloueur et accroîtront sa durée de service.

Toujours les utiliser.

FiltreLe filtre enlève l'humidité et la saleté mélangées à l'air comprimé.

Purger tous les jours, sauf si l'outil possède une purge automatique.

Nettoyer régulièrement le filtre.

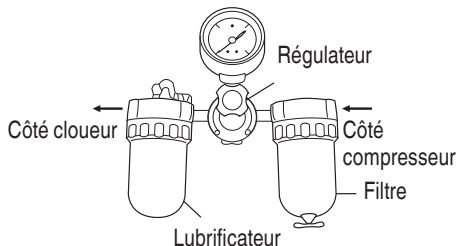
Régulateur.....Le régulateur contrôle la pression de fonctionnement afin d'assurer la sécurité du cloueur.

Inspecter le régulateur avant le travail pour s'assurer qu'il fonctionne correctement.

Lubrificateur...Le lubrificateur alimente de l'huile vaporisée au cloueur.

Inspecter le lubrificateur avant le travail pour s'assurer que l'alimentation d'huile est adéquate.

Utiliser une huile de machine pneumatique Hitachi.



3. Tuyau d'air

Le tuyau d'air doit avoir une pression de travail minimum de 150 psi (10.4 bars 10.6 kgf/cm²) ou 150% de la pression maximum produite par le système, à savoir la plus élevée.

4. Consommation d'air
Sélectionner la taille du compresseur en se reportant au tableau de consommation d'air et aux formules de taille du compresseur.

Tableau de consommation d'air

Pression de fonctionnement	psi	80	90	100
	(bar)	(5.5)	(6.2)	(6.9)
Consommation d'air	(kgf/cm ²)	(5.6)	(6.3)	(7)
	ft ³ /cycle	.039	.042	.049
	(l/cycle)	(1.1)	(1.2)	(1.4)

Formules de taille du compresseur d'air

Quantité d'air requise

=nombre de clous

× clous moyens enfoncés par minute par le cloueur

× consommation d'air à une pression donnée

× facteur de sécurité (toujours 1.2)

Exemple: 2 cloueurs fonctionnant à 100 psi et enfonçant 30 clous par minute

Quantité d'air requise

=2 × 30 × .049 (1.4) × 1.2

=3.5 CFM (ft³/mn) (101 l/mn)

Effectuer le calcul ci-dessus pour obtenir un compresseur fournissant les 3.5 CFM d'air nécessaires.

GRAISSAGE

Il est essentiel que le cloueur soit graissé correctement.

Si le cloueur est mal graissé, il ne fonctionnera pas correctement et les pièces s'useront prématurément.

- Utiliser une huile de machine Hitachi.
Ne pas utiliser d'huile détergente ni d'additifs. Ces lubrifiants endommageraient les joints toriques et les autres pièces en caoutchouc. Cela provoquerait un mauvais fonctionnement du cloueur.
- Toujours utiliser des unités filtre-régulateur-lubrificateur.
Veiller à ce que le régulateur soit toujours plein d'huile de machine pneumatique Hitachi.
- Si l'on ne possède pas de lubrificateur, mettre 5 à 10 gouttes d'huile de machine pneumatique Hitachi dans le bouchon d'air du cloueur deux fois par jour.

ENTRETIEN PAR TEMPS FROID

- Ne pas ranger le cloueur dans un environnement froid.
Le laisser dans un endroit chaud jusqu'à ce que l'on soit prêt à travailler.
- Si le cloueur est déjà froid, l'amener dans un endroit chaud et le laisser réchauffer avant de l'utiliser.
- ① Réduire la pression d'air à 80 psi (5.4 bars 5.5 kgf/cm²).

- ② Sortir tous les clous du cloueur.
- ③ Raccorder le tuyau d'air et faire un essai de clouage (clouage à blanc).
La pression d'air inférieure sera suffisante pour le clouage à blanc.
Les opérations à vitesse lente ont tendance à chauffer les pièces mobiles.

⚠ ATTENTION

- Ne pas faire un essai de clouage à blanc à haute pression.

ESSAI DU CLOUEUR

⚠ DANGER



- Les opérateurs et les autres personnes dans l'aire de travail DOIVENT porter des lunettes de protection avec visières latérales respectant les exigences ANSI Z87.1.

⚠ AVERTISSEMENT

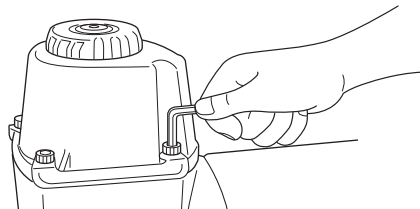
- Ne jamais utiliser le cloueur si le levier-poussoir ne fonctionne pas correctement.

Avant de commencer le travail proprement dit, faire un essai de clouage en vérifiant les points ci-dessous. Effectuer les essais dans l'ordre indiqué.

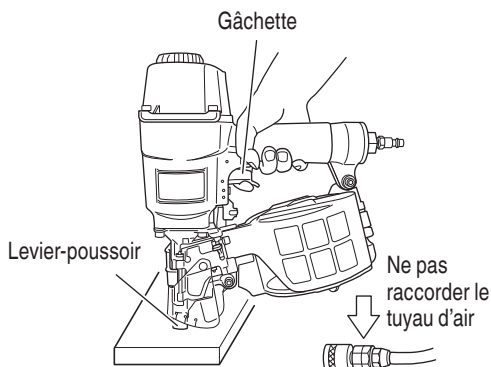
S'il se produit un fonctionnement anormal, cesser immédiatement d'utiliser le cloueur et contacter un service après-vente agréé Hitachi.

- (1) DEBRANCHER LE TUYAU D'AIR DU CLOUEUR.
SORTIR TOUS LES CLOUS DU CLOUEUR.

- TOUTES LES VIS DOIVENT ETRE SERREES A FOND.
Si certaines vis sont relâchées, les reserrer.



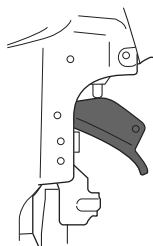
- LE LEVIER-POUSOIR ET LA GACHETTE DOIVENT FONCTIONNER AVEC SOUPLESSE.



- (2) Régler la pression d'air sur 70 psi (4.9 bar 5 kgf/cm²).
Raccorder le tuyau d'air.
- (3) RETIRER TOUS LES CLOUS DE LA CLOUEUSE.
Ne pas appuyer sur le levier-poussoir et ne pas le laisser reposer contre une surface sous peine de gêner la rotation du dispositif de commutation.

MÉCANISME DE DÉCLENCHEMENT PAR CONTACT

Identifié par : DÉTENTE NOIRE

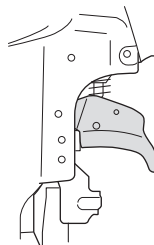


- (1) Décoller la cloueuse de la surface en bois et tirer la gâchette.
Ensuite, appuyer le levier-poussoir contre le bois.
 LA CLOUEUSE DOIT ÊTRE EN MARCHÉ.
- (2) Ensuite, appuyer le levier-poussoir contre la pièce à usiner.
Tirer la gâchette.
 LA CLOUEUSE DOIT ÊTRE EN MARCHÉ.
- (3) Si l'on ne remarque aucun fonctionnement anormal, on pourra mettre des clous dans le cloueur.
Enfoncer les clous dans un matériau du même type que celui du travail proprement dit.

LE CLOUEUR DOIT FONCTIONNER CORRECTEMENT.

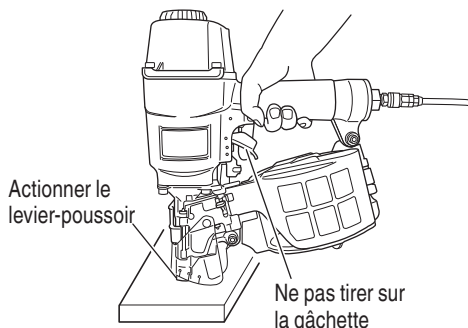
MÉCANISME DE DÉCLENCHEMENT SÉQUENTIEL UNIQUE)

Identifié par : DÉTENTE ROUGE



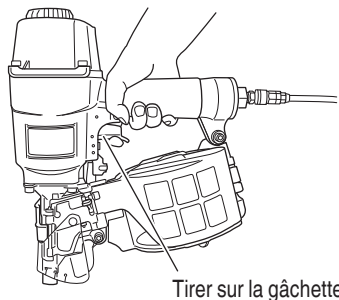
- (1) Retirer le doigt de la gâchette et appuyer le levier-poussoir contre le bois.

LE CLOUEUR NE DOIT PAS FONCTIONNER.



- (2) Eloigner le levier-poussoir du bois.
Ensuite, diriger le cloueur en position abaissée, tirer sur la gâchette et attendre pendant au moins 5 secondes dans cette position.

LE CLOUEUR NE DOIT PAS FONCTIONNER.



- (3) Commencer par tirer sur la gâchette.
Et puis pousser le levier-poussoir contre la surface du bois.

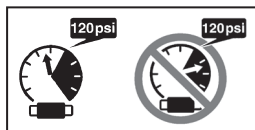
LA CLOUEUSE NE DOIT PAS ÊTRE EN MARCHÉ.

- (4) Sans toucher la gâchette, appuyer le levier-poussoir contre la surface du bois.
Ensuite, tirer sur la gâchette.

LA CLOUEUSE DOIT ÊTRE EN MARCHÉ.

RÉGLAGE DE LA PRESSIION D'AIR

⚠ AVERTISSEMENT



- Ne pas dépasser 120 psi (8.3 bars 8.5 kgf/cm²).

Régler la pression d'air à la pression de travail recommandée de 80 – 120 psi (5.4 – 8.3 bars 5.5 – 8.5 kgf/cm²) en fonction de la longueur des clous et de la dureté du matériau.

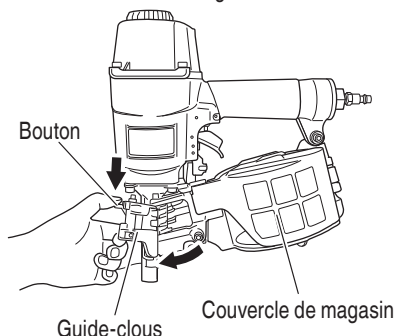
La pression d'air correcte est la pression la plus basse capable d'effectuer le travail. L'utilisation d'une pression d'air supérieure à la pression nécessaire fatiguera inutilement le cloueur.

CHARGEMENT DES CLOUS

⚠ AVERTISSEMENT

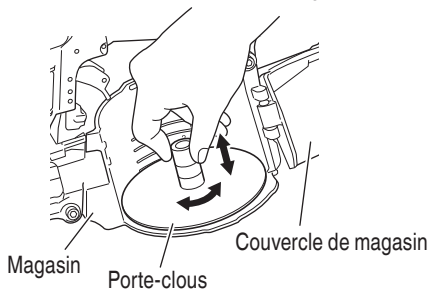
- Lors du chargement des clous dans le cloueur,
 - 1) ne pas appuyer sur la gâchette;
 - 2) ne pas actionner le levier-poussoir; et
 - 3) diriger le cloueur vers le bas.

- (1) Saisir le guide-clous et le bouton avec les doigts. Pousser le bouton vers le bas et ouvrir le guide-clous. Ouvrir le couvercle du magasin.



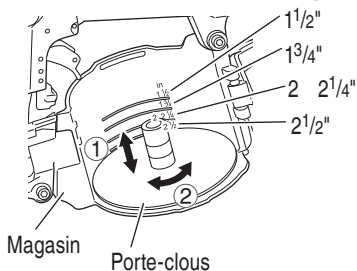
- (2) Régler la position de la platine en fonction de la longueur des clous.

L'alimentation des clous ne peut pas être régulière si la platine n'est pas correctement réglée.

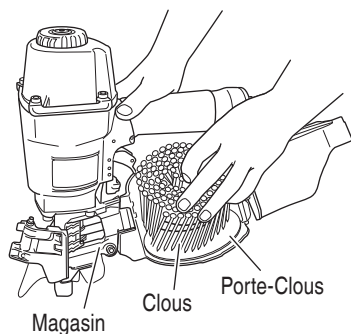


REMARQUE: Avant d'introduire des clous dans le magasin, régler la platine. Si le couvercle du magasin est fermé en forçant et sans que la platine ne soit réglée correctement, le porte-clous peut être endommagé.

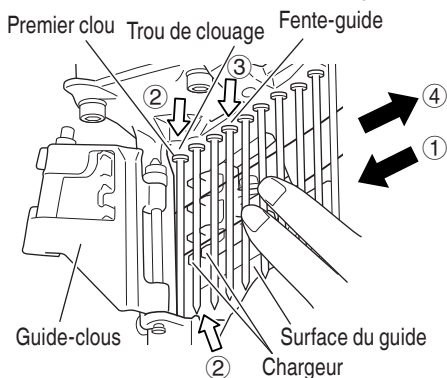
- ① Le faire glisser en position verticales autant que possible.
Soulever ou abaisser le porte-clous pour accepter différentes longueurs de clou.
- ② Régler la plaque selon les points de référence de longueur du clou sur le couvercle du magasin et faire pivoter le porte-clous de 45 degrés.



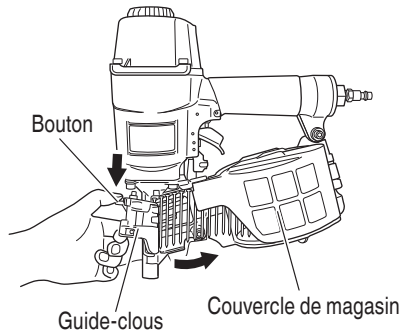
- (3) Introduire la bobine de clous dans le magasin. Dégager une longueur suffisante de clous pour atteindre le perçage d'entraînement.



- (4) ① Dérouler suffisamment de clous pour atteindre le trou de clouage.
- ② Insérer le premier clou dans le trou de clouage et le second clou entre les deux cliquets du chargeur.
- ③ Ajuster la tête du clou dans la fente-guide.



- ④ En tirant les clous sur la droite, faire pivoter le guide-clous pour le refermer.
- (5) Fermer tout d'abord le couvercle du magasin puis le guide-clous.
 - (6) Verrouiller convenablement le bouton.



REMARQUE: Veiller à ne pas déformer les fils d'acier de liaison ni à libérer les clous avec la surface de guidage.

Dans le cas contraire, en effet, le guide-clous ne se fermerait pas correctement.

UTILISATION DU CLOUEUR

Lire la section intitulée "SECURITE" (pages 21 – 25).

⚠ DANGER



- Les opérateurs et les autres personnes dans l'aire de travail DOIVENT porter des lunettes de protection avec visières latérales respectant les exigences ANSI Z87.1.

⚠ AVERTISSEMENT



- NE JAMAIS diriger l'outil vers soi ni vers quelqu'un d'autre dans l'aire de travail.
- Toujours ÉLOIGNER le doigt de la gâchette quand on n'effectue pas de clouage afin d'éviter tout risque de déclenchement accidentel.
- Le choix de la méthode d'utilisation de la gâchette est important.
Lire et bien assimiler les "Méthodes d'utilisation" ci-dessous.
- Avant de commencer la tâche, vérifier les types d'opération pour enfoncer les clous.
- Ne jamais approcher les mains ni les pieds à moins de 8 pouces (200 mm) de la tête de clouage.
- Ne pas enfoncer de clous sur d'autres clous ni avec le cloueur à un angle trop aigu; les clous pourraient ricocher et blesser quelqu'un.
- Ne pas enfoncer de clous dans des planches minces ni près des coins et des bords de la pièce. Les clous pourraient traverser la pièce ou s'enfoncer ailleurs que dans la pièce et blesser quelqu'un.
- Ne jamais enfoncer de clous des deux côtés d'un mur en même temps. Les clous pourraient traverser le mur et blesser quelqu'un de l'autre côté.

- Ne jamais utiliser le cloueur s'il est défectueux ou qu'il ne fonctionne pas normalement.
- Ne pas se servir du cloueur comme d'un marteau.
- Débrancher le tuyau d'air du cloueur quand:
 - 1) on ne s'en sert pas;
 - 2) on quitte l'aire de travail;
 - 3) on le transporte dans un autre endroit; et
 - 4) on le passe à quelqu'un d'autre;

Deux types d'opération sont proposés sur cette cloueuse pour enfoncer des clous.

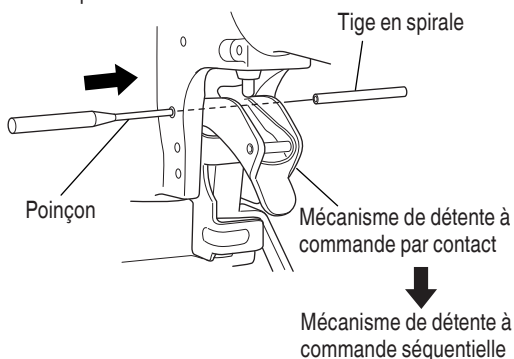
Utiliser le MÉCANISME DE DÉCLENCHEMENT PAR CONTACT ou le MÉCANISME DE DÉCLENCHEMENT SÉQUENTIEL UNIQUE en fonction du travail à effectuer.

Explication des diverses opérations de clouage

- MÉCANISME DE DÉCLENCHEMENT PAR CONTACT: Appuyer tout d'abord le levier-poussoir contre le bois, puis tirer sur la gâchette pour enfoncer le clou. Ou, tirer sur la gâchette, puis appuyer le levier-poussoir contre le bois pour enfoncer le clou. Si la gâchette est maintenue tirée, un clou s'enfonce chaque fois que l'on appuie le levier-poussoir contre le bois.

NV65AN est expédié avec le MÉCANISME DE COMMANDE PAR CONTACT

Remplacer le MÉCANISME DE COMMANDE PAR CONTACT par le MÉCANISME DE COMMANDE SÉQUENTIELLE pour utiliser la commande séquentielle.



- MÉCANISME DE DÉCLENCHEMENT SÉQUENTIEL UNIQUE: Tout d'abord, appuyer le levier-poussoir contre la pièce, puis tirer sur la gâchette pour enfoncer le clou. Quand un clou est enfoncé, il n'est plus possible d'enfoncer un autre clou tant que l'on n'a pas relâché la gâchette et appuyé à nouveau.

MÉTHODES D'UTILISATION

Le cloueur est équipé d'un levier-poussoir et il ne fonctionne pas tant que le levier-poussoir n'est pas enfoncé (position supérieure).

Il y a trois d'enfoncer des clous avec le cloueur.

Ces deux méthodes sont:

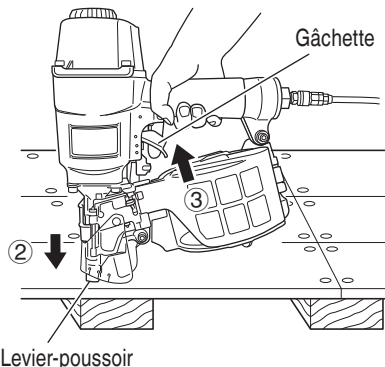
1. Fonctionnement intermittent (déclenchement par gâchette):
MÉCANISME DE DÉCLENCHEMENT PAR CONTACT, MÉCANISME DE DÉCLENCHEMENT SÉQUENTIEL UNIQUE.
 2. Fonctionnement continu (déclenchement par levier-poussoir):
MÉCANISME DE DÉCLENCHEMENT PAR CONTACT.
 3. Fonctionnement à séquence unique (déclenchement par gâchette):
MÉCANISME DE DÉCLENCHEMENT SÉQUENTIEL UNIQUE.
- (1) Fonctionnement intermittent (déclenchement par gâchette)

⚠ AVERTISSEMENT

- Pour éviter tout déclenchement double ou tout déclenchement accidentel du fait d'un rappel:
 - 1) Tirer sur la gâchette rapidement et fermement.

- ① Placer l'orifice de sortie des clous sur la pièce en enlevant le doigt de la gâchette.
- ② Actionner fermement le levier-poussoir jusqu'à ce qu'il soit complètement enfoncé.
- ③ Tirer sur la gâchette pour enfoncer un clou.
- ④ Retirer le doigt de la gâchette.

Pour continuer à clouer à un autre endroit, déplacer le cloueur le long du bois en recommençant les opérations ① à ④ selon les besoins.



⚠ AVERTISSEMENT

- Un clou sera libéré chaque fois que la détente sera enfoncée, en autant que le levier-poussoir demeure enfoncé.
- (2) Fonctionnement continu (déclenchement par levier-poussoir)
Utilisation du MÉCANISME DE DÉCLENCHEMENT PAR CONTACT

⚠ AVERTISSEMENT

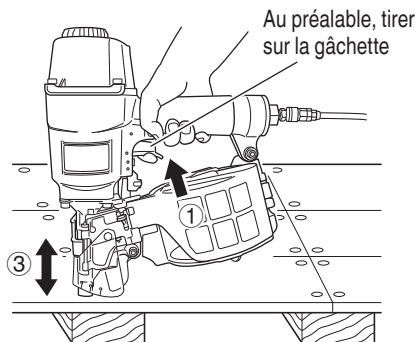
- Pour éviter tout déclenchement double ou tout déclenchement accidentel du fait d'un rappel.

1) Ne pas appuyer le cloueur trop fort contre le bois.

2) Eloigner le cloueur du bois car il effectue un rappel après le clouage.

- ① Tirer sur la gâchette en retirant le cloueur de la pièce.
- ② Actionner le levier-poussoir contre la pièce pour enfoncer un clou.
- ③ Déplacer le cloueur le long de la pièce en lui faisant faire des bonds. Chaque pression du levier-poussoir enfonce un clou.

Dès que le nombre de clous voulu est enfoncé, retirer le doigt de la gâchette.



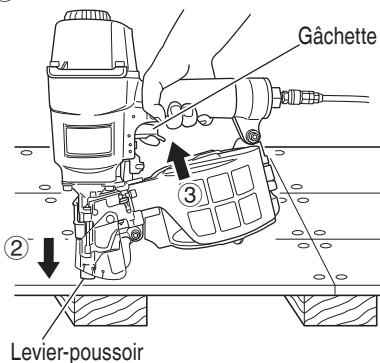
- (3) Fonctionnement à séquence unique (déclenchement par gâchette)

⚠ AVERTISSEMENT

- Pour éviter tout déclenchement double ou tout déclenchement accidentel du fait d'un rappel:
 - 1) Tirer sur la gâchette rapidement et fermement.

- ① Placer l'orifice de sortie des clous sur la pièce en enlevant le doigt de la gâchette.
- ② Actionner fermement le levier-poussoir jusqu'à ce qu'il soit complètement enfoncé.
- ③ Tirer sur la gâchette pour enfoncer un clou.
- ④ Retirer le doigt de la gâchette.

Pour continuer à clouer à un autre endroit, déplacer le cloueur le long du bois en recommençant les opérations ① à ④ selon les besoins.



⚠ AVERTISSEMENT

- Ne pas mettre le doigt sur la gâchette sauf pendant une opération de clouage, car un contact accidentel du levier-poussoir sur l'opérateur ou sur les personnes alentour pourrait entraîner des blessures graves.
- Ne pas approcher les mains ni le corps de la section de sortie des clous. Ce cloueur Hitachi risque de faire un bond sous l'effet du rappel après l'enfoncement d'un clou, ce qui pourrait enfoncer un autre clou non prévu et provoquer des blessures.
- Certains types de clous peuvent s'éjecter de la buse pendant une opération de clouage quand ils sont chargés. Faire attention!

LE MÉCANISME DE DÉCLENCHEMENT SÉQUENTIEL UNIQUE est utilisé lorsqu'un placement précis des attaches est nécessaire.

Le MÉCANISME DE DÉCLENCHEMENT SÉQUENTIEL UNIQUE peut réduire les risques de blessures physiques pour l'opérateur et les autres personnes présentes sur l'aire de travail par rapport au MÉCANISME DE DÉCLENCHEMENT PAR CONTACT. **En effet, il risque moins d'enfoncer accidentellement un clou si l'on garde le doigt sur la gâchette et qu'on appuie accidentellement le levier-poussoir contre soi ou contre une autre personne.**

Le MÉCANISME DE DÉCLENCHEMENT SÉQUENTIEL UNIQUE peut également réduire la vitesse de fonctionnement par rapport au MÉCANISME DE DÉCLENCHEMENT PAR CONTACT. Il est conseillé aux opérateurs débutants d'utiliser LE MÉCANISME DE DÉCLENCHEMENT SÉQUENTIEL UNIQUE.

REMARQUE:

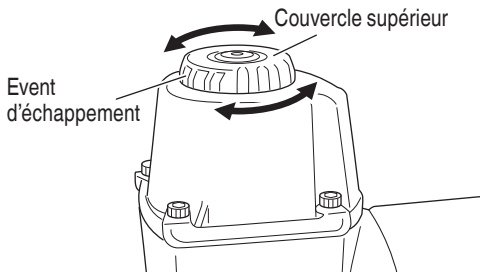
- Si l'on respecte bien tous les avertissements et toutes les instructions, le fonctionnement s'effectuera sans danger avec les deux systèmes : MÉCANISME DE DÉCLENCHEMENT PAR CONTACT et MÉCANISME DE DÉCLENCHEMENT SÉQUENTIEL UNIQUE.
- Toujours manier les clous et le paquet avec précaution. Si les clous tombent, le fil d'assemblage risque de se briser.
- Après le clouage:
 - 1) débrancher le tuyau d'air du cloueur;
 - 2) sortir tous les clous du cloueur;
 - 3) mettre 5 ou 10 gouttes d'huile de machine pneumatique Hitachi dans le bouchon d'air du cloueur; et
 - 4) ouvrir le robinet de purge du réservoir du compresseur d'air pour purger toute l'humidité.

CHANGEMENT DU SENS D'ÉCHAPPEMENT

⚠ AVERTISSEMENT

- Lors du changement du sens d'échappement, **s'assurer de retirer son doigt de la gâchette et de débrancher le tuyau d'air du cloueur.**

Il est possible de changer le sens l'évent d'échappement en tournant le couvercle supérieur.



ENTRETIEN

REMARQUE: Les informations contenues dans ce manuel ont pour but d'aider l'opérateur à utiliser le cloueur en toute sécurité.

Certaines des illustrations du manuel peuvent montrer des détails ou des accessoires qui diffèrent de ceux de votre cloueur.

ENTRETIEN ET INSPECTION

Lire la section intitulée "SECURITE" (pages 21 – 25).

⚠ AVERTISSEMENT

● **Débrancher le tuyau d'air et sortir tous les clous du cloueur quand:**

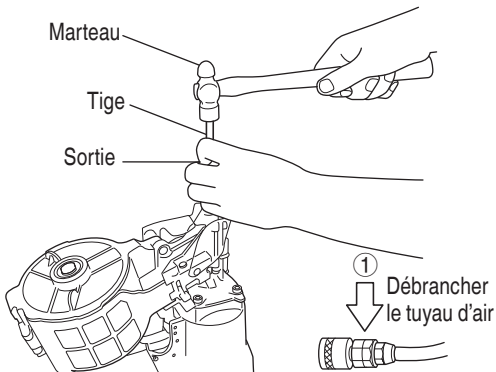
- 1) on entretient ou on inspecte le cloueur; et
- 2) on retire des clous coincés.

1. Elimination d'un blocage

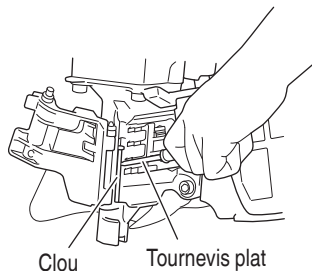
Retirer un clou bloqué dans l'ordre suivant:

- ① DEBRANCHER LE TUYAU D'AIR.
- ② Ouvrir le guide-clous.
- ③ Insérer une tige dans la sortie.

Taper sur la tige avec un marteau.



- ④ Retirer le clou bloqué avec un tournevis plat.



- ⑤ Couper le fil de fixation déformé avec des tenailles.

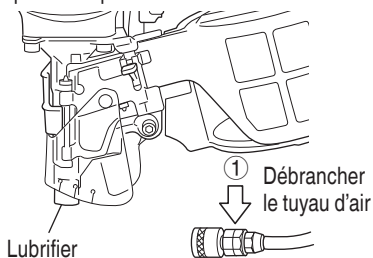
Corriger la déformation.

- ⑥ En cas de blocages fréquents, contacter un centre de réparation autorisé Hitachi.

2. Inspection du levier-poussoir

- ① DEBRANCHER LE TUYAU D'AIR.

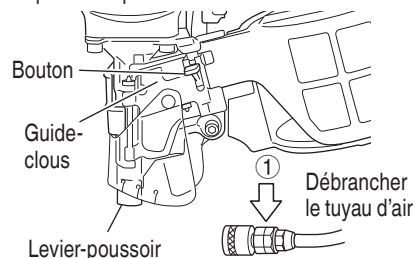
- ② Nettoyer la partie coulissante du levier-poussoir. La lubrifier avec le lubrifiant pour outil pneumatique Hitachi.



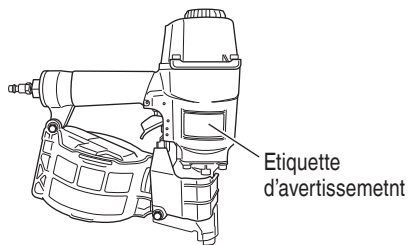
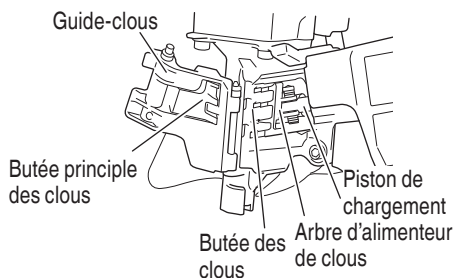
3. Inspection des chargeurs

- ① DEBRANCHER LE TUYAU D'AIR.

- ② Nettoyer la partie coulissante du bouton. La lubrifier avec le lubrifiant pour outil pneumatique Hitachi.



- ③ Ouvrir le guide-clous et retirer la poussière. Lubrifier la fente coulissante du chargeur et les arbres.



- ④ Lubrifier les surfaces de chargement du bec et le guide-clous après le nettoyage.
Cela favorise un fonctionnement doux et protège de la rouille.

⚠ ATTENTION

- Vérifier que la butée à clous coulisse sans problème en poussant les clous du doigt. S'il existe une résistance, les clous risquent d'être chargés suivant une orientation anormale et ceci présente un risque d'accident aux personnes en présence.

4. Inspection du magasin

- ① DEBRANCHER LE TUYAU D'AIR.
- ② Nettoyer le magasin. Retirer la poussière ou les petits morceaux de bois qui se sont accumulés dans le magasin.

5. Remisage

- Si l'on ne se sert pas du cloueur pendant un certain temps, enduire ses pièces en acier d'une mince couche de graisse pour éviter toute corrosion.
- Ne pas remiser le cloueur dans un environnement froid.
Le laisser dans un endroit chaud.
- Lorsqu'on ne se sert pas du cloueur, le remiser dans un endroit chaud et sec.
Le ranger hors de portée des enfants.

6. ETIQUETTE D'AVERTISSEMENT

Remplacer l'ETIQUETTE D'AVERTISSEMENT si elle manque ou qu'elle est endommagée.
Se procurer une nouvelle ETIQUETTE D'AVERTISSEMENT auprès d'un service après-vente Hitachi agréé.

- 7. Tableau d'entretien (voir page 38)
- 8. Guide de dépannage de l'opérateur (voir page 39)
- 9. Liste des pièces de rechange

⚠ ATTENTION

- Les réparations, modifications et inspections des outils électriques Hitachi doivent être confiées à un service après-vente Hitachi agréé. Il sera utile de présenter cette liste de pièces au service après-vente Hitachi agréé lorsqu'on apporte un outil nécessitant des réparations ou tout autre entretien. Lors de l'utilisation et de l'entretien d'un outil électrique, respecter les règlements et les normes de sécurité en vigueur dans le pays en question.

MODIFICATIONS:

Les outils électriques Hitachi sont constamment améliorés et modifiés afin d'incorporer les tous derniers progrès technologiques.
En conséquence, il est possible que certaines pièces soient modifiées sans avis préalable.

ENTRETIEN ET REPARATIONS

AVERTISSEMENT

- **Les réparations du cloueur seront confiées exclusivement au personnel d'entretien formé par Hitachi, au distributeur ou à l'employeur.**
- **Pour les réparations, utiliser exclusivement des pièces fournies ou recommandées par Hitachi.**

Du fait de l'usure normale, les cloueurs de qualité finissent toujours par avoir besoin d'un entretien ou d'un remplacement de pièce.

REMARQUE: Les spécifications sont sujettes à modification sans préavis et sans aucune obligation de la part de HITACHI.

Tableau d'entretien

ACTION	POURQUOI	COMMENT
Purger le filtre de la ligne d'air tous les jours.	Eviter l'accumulation d'humidité et de poussière.	Ouvrir le robinet de purge manuel.
Veiller à ce que le lubrificateur soit toujours plein.	Maintenir le cloueur bien graissé.	Remplir d'huile de machine pneumatique Hitachi.
Nettoyer l'élément du filtre — puis souffler de l'air dans le filtre dans le sens inverse du débit normal.	Eviter le colmatage du filtre par la saleté.	Suivre les instructions du fabricant.
Nettoyer le magasin et le mécanisme de l'alimenteur de clous.	Eviter que les clous ne se coincent.	Nettoyer en soufflant de l'air tous les jours.
Veiller à ce que le levier-poussoir fonctionne toujours correctement.	Assurer la sécurité de l'opérateur et un fonctionnement efficace du cloueur.	Nettoyer en soufflant de l'air tous les jours.
Graisser le cloueur après l'utilisation.	Rallonger la durée de service du cloueur.	Mettre 5 ou 10 gouttes de graisse dans le cloueur.
Purger le compresseur d'air.	Maintenir le cloueur en bon ordre de marche.	Ouvrir le robinet de purge du réservoir du compresseur d'air.

Guide de dépannage de l'opérateur

En suivant le tableau ci-dessous, la plupart des problèmes mineurs pourront être corrigés rapidement et en toute facilité.

Si le problème persiste, contacter un service après-vente Hitachi agréé.

PROBLEME	VERIFICATION	CORRECTION
Le cloueur fonctionne, mais les clous ne s'enfoncent pas.	Vérifier si un clou est coincé.	Dégager le clou.
	Vérifier le fonctionnement de l'alimenteur de clous à la page 36.	Nettoyer et graisser.
	Vérifier si l'on utilise les bons clous.	Utiliser uniquement les clous recommandés.
Entraînement faible. Cycle lent.	Vérifier la pression d'air.	Augmenter la pression d'air. (Ne pas dépasser 120 psi (8.3 bars 8.5 kgf/cm ² .)
	_____	Utiliser une huile de machine pneumatique Hitachi.
	La lame d'entraînement est-elle usée?	Contacter Hitachi pour le remplacement.
	Le joint torique du piston est-il usé ou endommagé?	
Les clous s'enfoncent trop profondément.	Vérifier la pression d'air.	Réduire la pression d'air. (Régler sur 80 – 120 psi)
Certains clous sont sautés. Alimentation intermittente.	Vérifier si l'on utilise les bons clous.	Utiliser uniquement les clous recommandés.
	Vérifier le fonctionnement de l'alimenteur de clous à la page 36.	Nettoyer et graisser.
	Vérifier la position du porte-clous dans le magasin à la page 31.	Ajuster le porte-clous sur la position correcte.
	_____	Utiliser une huile de machine pneumatique Hitachi.
	Le joint torique du piston est-il coupé ou très usé?	Contacter Hitachi pour le remplacement.
Des clous se coincent. Les clous enfoncés sont tordus.	Vérifier si l'on utilise les bons clous.	Utiliser uniquement les clous recommandés.
	La lame d'entraînement est-elle usée?	Contacter Hitachi pour le remplacement.
Les clous s'enfoncent bien normalement, mais pas complètement à des vitesses supérieures.	Vérifier le diamètre intérieur du tuyau d'air.	Utiliser un tuyau d'air plus large.

INFORMACIÓN IMPORTANTE SOBRE SEGURIDAD



Lea y comprenda el significado de las etiquetas de la herramienta y todas las instrucciones de funcionamiento, las precauciones de seguridad y las advertencias de este manual antes de realizar la operación o el mantenimiento de este clavador.

La negligencia en la observación de las advertencias puede producir la MUERTE o LESIONES DE GRAVEDAD.

La mayoría de los accidentes se ocurridos al utilizar o mantener este clavador se deben a la falta de tener en cuenta las normas de seguridad y precauciones básicas. Los accidentes podrán evitarse en muchos casos dándose cuenta de una situación peligrosa antes de que se produzca, y observando fielmente los procedimientos de seguridad apropiados.

Las precauciones básicas de seguridad se describen en la sección "SEGURIDAD" de este manual, y en las secciones que contienen las instrucciones sobre operación y mantenimiento.

Los riesgos que habrá que eludir para evitar lesiones o el daño de la máquina se identifican mediante PELIGRO y ADVERTENCIA en el clavador y en este manual.

No utilice NUNCA este clavador para aplicaciones que no sean las especificadas en este manual.

DEFINICIÓN DE LAS PALABRAS CLAVE

PELIGRO indica una situación inminentemente peligrosa que, si no se evita, puede resultar en lesiones serias o en la muerte.

ADVERTENCIA indica una situación potencialmente peligrosa que, si no se evita, puede resultar en lesiones serias o en la muerte.

PRECAUCIÓN indica una situación potencialmente peligrosa que, si no se evita, puede resultar en lesiones menores, o en el daño de la máquina.

NOTA enfatiza información esencial.

EXPLICACIÓN LA ACCIÓN DE CLAVADO DEL CLAVADOR HITACHI

- **MECANISMO DE ACTUACIÓN SECUENCIAL SIMPLE:**
En primer lugar, presione la palanca de empuje contra la madera y, a continuación, jale el gatillo para introducir el sujetador.
Una vez que se introduzca un clavo, no se podrá volver a clavar hasta que suelte el gatillo y lo vuelva a presionar.
- **MECANISMO DE ACTUACIÓN POR CONTACTO:**
En primer lugar, presione la palanca de empuje contra la madera y, a continuación, jale el gatillo para introducir el sujetador.
En primer lugar, jale el gatillo y, seguidamente, presione la palanca de empuje contra la madera para que se introduzca el sujetador.
Si mantiene el gatillo apretado, se introducirá un clavo cada vez que se presiona la palanca de empuje contra la madera.

SEGURIDAD

INSTRUCCIONES IMPORTANTES DE SEGURIDAD PARA LA UTILIZACIÓN DEL CLAVADOR

INSTRUCCIONES PARA EVITAR UN RIESGO DE INCENDIO, UNA DESCARGA ELÉCTRICA O LESIONES

● General

Para reducir el riesgo de descarga eléctrica, incendio o lesiones, **LEA TODAS LAS INSTRUCCIONES ANTES DE UTILIZAR LA HERRAMIENTA.**

⚠ PELIGRO

1. LOS OPERADORES Y DEMÁS PERSONAS QUE SE ENCUENTREN EN EL ÁREA DE TRABAJO DEBEN USAR PROTECCIÓN PARA LOS OJOS (GAFAS DE SEGURIDAD CON BLINDAJES LATERALES).



Antes de utilizar el clavador, utilice siempre gafas protectoras con blindajes laterales, y asegúrese de que también sea utilizada por todas las personas que se encuentren en el área de trabajo.

Las gafas protectoras deberán estar de acuerdo con los requisitos del Instituto de Normas Nacionales Americanas, ANSI Z87.1 y proporcionar protección contra las partículas despididas desde la parte frontal y posterior.

El empresario deberá hacer que el operador del clavador y demás personas que se encuentren en el área de trabajo utilicen en todo momento gafas protectoras.

2. NO UTILICE NUNCA OXÍGENO NI OTROS GASES EMBOTELLADOS. PODRÍA PRODUCIRSE UNA EXPLOSIÓN.



No utilice nunca bombonas de oxígeno, gases combustibles, etc. como fuente de propulsión de este clavador.

La utilización de estos gases, o de otros gases embotellados, es peligrosa, ya que el clavador podría explotar.

Utilice solamente aire comprimido limpio, seco, y regulado.

⚠ ADVERTENCIA

3. NO DIRIJA NUNCA LA HERRAMIENTA HACIA SÍ MISMO O HACIA OTRAS PERSONAS DEL ÁREA DE TRABAJO.



Piense siempre que el clavador puede tener clavos cargados.

No dirija nunca el clavador hacia sí mismo o hacia otras personas, independiente de que contenga o no clavos.

Si utilizase los clavos incorrectamente, podrían producirse lesiones serias.

No juegue nunca con el clavador.

Trate el clavador como herramienta de trabajo.

4. NO COLOQUE LOS DEDOS EN EL DISPARADOR Y MANTENGA LOS DEDOS ALEJADOS DEL DISPARADOR CUANDO NO SE ESTÉ CLAVANDO PARA EVITAR UN DISPARO ACCIDENTAL.

No transporte nunca el clavador con el dedo en el gatillo, porque podría lanzar un clavo y lesionarse usted mismo o a otra persona.

Transporte siempre el clavador por la empuñadura solamente.

5. ES IMPORTANTE LA ELECCIÓN DE MÉTODO DE ACTIVACIÓN.

Lea y comprenda la sección titulada "MÉTODOS DE OPERACIÓN". (páginas 53 – 55)

6. NO REALICE NINGÚN CONTACTO CON EL EXTREMO DE SEGURIDAD (PALANCA DE EMPUJE) CUANDO NO CLAVE.

SEGURIDAD — Continuación

⚠ ADVERTENCIA

Quando utilice herramientas, deberán tomarse siempre precauciones básicas, incluidas las siguientes:

1. Zona de trabajo

- (1) **Mantenga la zona de trabajo limpia y bien iluminada.**

Los bancos llenos de cosas y las zonas oscuras aumentan el riesgo de descarga eléctrica, incendio y lesiones.

- (2) **No utilice el clavador en ambientes explosivos como, por ejemplo, en presencia de líquidos inflamables, gases o polvo.**

El clavador puede crear chispas que podrían incendiar el polvo o los gases.

- (3) **Mantenga a los viandantes, los niños y los visitantes alejados mientras utiliza el clavador.** Las distracciones podrían causar la pérdida de control del clavador.

2. Seguridad personal

- (1) **Permanezca alerta.**

Preste atención a lo que hace y haga uso de sentido común cuando opere el clavador. No utilice el clavador cuando esté cansado o bajo la influencia de drogas, alcohol o medicamentos.

Un momento de despiste cuando se utiliza el clavador aumenta el riesgo de lesiones.

- (2) **Utilice ropa adecuada. No utilice ropa suelta o joyas. Recójase el pelo. Mantenga el pelo, la ropa y los guantes alejados de las partes móviles.**

La ropa suelta, las joyas o el pelo largo aumentan el riesgo de lesiones, ya que podrían pillarse con las partes móviles.

- (3) **Evite una puesta en marcha involuntaria. Asegúrese de que el interruptor está apagado antes de conectar el aparato al suministro de aire.** No transporte el clavador con el dedo colocado en el interruptor o lo conecte al suministro de aire con el interruptor encendido.

- (4) **⚠ ADVERTENCIA** – Desconecte el clavador de la fuente de aire antes de hacer cualquier ajuste, hacer el mantenimiento del clavador, desatascarlo, tocar la palanca de empuje, cuando no se utilice, se marche de la zona de trabajo, descargue el clavador o se lo de a otra persona. No trate de desatascar o reparar el clavador salvo que haya desconectado el conducto de aire del clavador y retirado todos los clavos que

queden en el mismo. El clavador no deberá dejarse nunca desatendido, ya que podría ser utilizado por personas no familiarizadas con el mismo, pudiéndose lesionar. Dichas medidas de precaución reducen el riesgo de lesiones.

- (5) **No estire el cuerpo. Mantenga los pies bien colocados y el equilibrio en todo momento.** El mantener los pies bien colocados y el equilibrio permite un mayor control del clavador en situaciones inesperadas.

- (6) **Utilice equipo de seguridad.** Deberán utilizarse una máscara para el polvo, zapatos de seguridad anti-deslizamiento y un casco para las condiciones aplicables.

- (7) **⚠ ADVERTENCIA** – Riesgo de pérdida auditiva. Utilice protección para los oídos.

- (8) **Utilice siempre protección para la cabeza. Utilice siempre protección para la cabeza para protegerse de objetos que salgan despedidos.**

- (9) **No coloque la manguera o el clavador en su cuerpo.**

Coloque la manguera en la estructura para reducir el riesgo de pérdida de equilibrio en caso de que la manguera se mueva.

- (10) **⚠ ADVERTENCIA** – Mantenga el clavador bien colocado sobre la pieza de trabajo. No clave encima de otro clavo. Esto podría hacer que los clavos se desvien y golpeen a alguna persona, o hagan que el clavador reaccione y provoque lesiones.

3. Uso y cuidado del clavador

- (1) **Utilice agarraderas u otra forma práctica de fijación y apoye la pieza de trabajo sobre una plataforma estable.**

Sujetar el trabajo con las manos o contra el cuerpo es inestable y podría causar una pérdida de control.

- (2) **No fuerce el clavador.** Utilice el clavador correcto para la aplicación. El clavador correcto hará el trabajo mejor y de forma más segura a la velocidad a la que el clavador está diseñado.

- (3) **No utilice el clavador si el interruptor no enciende o apaga el clavador.** Los clavadores que no pueden controlarse con el interruptor son peligrosos y deberán repararse.

SEGURIDAD — Continuación

⚠ ADVERTENCIA

No utilice clavadores defectuosos o que funcionen de forma anormal. Si el clavador funciona de forma anormal, hace ruidos extraños o parece estar defectuoso, deje de utilizarlo inmediatamente y llévelo a un centro de servicio autorizado de Hitachi para su reparación.

- (4) **Desconecte el clavador de la fuente de aire antes de realizar cualquier ajuste, cambiar accesorios o guardar el clavador.** Dichas medidas de seguridad preventivas reducen el riesgo de que el clavador se ponga en marcha involuntariamente.
- (5) **Guarde el clavador fuera del alcance de los niños y de las personas no capacitadas para su uso cuando no se utilice.** Los clavadores son peligrosos en manos de usuarios no capacitados.
- (6) **Mantenga el clavador con cuidado.** Mantenga el clavador limpio y lubricado para un funcionamiento mejor y más seguro.
- (7) **Compruebe si existen desajustes o vinculación de las partes móviles, rotura de las partes u otra condición que afecte al funcionamiento del clavador.**

Si el clavador está dañado, llévelo a reparar antes de utilizarlo. Debido a la alta presión de aire en el clavador, las grietas en la superficie son peligrosas. Para evitarlo, no deje que se caiga el clavador ni lo golpee contra superficies duras, y no arañe o haga grabaciones en el mismo. Muchos accidentes se producen por un mantenimiento incorrecto de los clavadores. Existe riesgo de explosión si el clavador está dañado.

- (8) **Utilice solo accesorios identificados por Hitachi para el clavador específico.** El uso de accesorios con el clavador no previstos aumenta el riesgo de lesiones.
- (9) **Utilice solo los clavos indicados en la sección Accesorios de este manual.** Los clavos que Hitachi no identifique para su utilización con este clavador podrían producir un riesgo de lesiones o podrían dañar el clavador cuando se utilicen en el mismo.

4. Mantenimiento

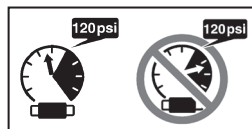
- (1) **El mantenimiento de la herramienta deberá ser realizado sólo por personal de reparación cualificado.**
- (2) **Cuando realice el mantenimiento de un clavador, utilice sólo piezas de repuesto idénticas. Utilice solo piezas autorizadas.**

- (3) **Utilice solo los lubricantes suministrados con el clavador o especificados por Hitachi.**

5. Fuente de aire

- (1) **No realice la conexión nunca a una fuente de aire que pueda superar 200 psi (13,7 bar 14 kgf/cm²).**

El exceso de presión en el clavador podría provocar una explosión, un funcionamiento anormal, una rotura del clavador o lesiones graves.



NO SUPERE 120 psi (8,3 bar 8,5 kgf/cm²).

Utilice solo aire comprimido limpio, seco y regulado a la presión nominal o dentro del rango de presión nominal tal como se indique en el clavador.

Antes de utilizar el clavador, compruebe siempre que la fuente de aire se ha ajustado a la presión de aire nominal o dentro del rango aire-presión nominal.

- (2) **No utilice nunca oxígeno, dióxido de carbono, gases combustibles o botellas de gas como fuente de aire para el clavador.** Dichos gases podrían explotar y producir lesiones graves.

6. Otros

- (1) **Tenga cuidado del doble disparo debido al culateo.** Si la palanca de empuje vuelve a entrar en contacto accidentalmente con la pieza de trabajo tras un culateo, saldrá disparado un clavo inesperado. Para evitar este doble disparo no deseado,

- Operación intermitente (Disparo de gatillo)
MECANISMO DE ACTUACIÓN DE CONTACTO,
MECANISMO DE ACTUACIÓN SECUENCIAL
SIMPLE.

1) Jale el gatillo rápida y firmemente.

- Funcionamiento continuo (Presione el disparo de palanca)

MECANISMO DE ACTUACIÓN DE CONTACTO.

1) No presione el clavador contra la madera con una fuerza excesiva.

2) Retire el clavador de la madera después de efectuar el clavado.

SEGURIDAD — Continuación

⚠ ADVERTENCIA

- (2) **No utilice nunca un acoplador sin descarga con el clavador.** Si utiliza un acoplador sin descarga en el clavador, éste podría permanecer cargado con aire después de haberlo desconectado y, por lo tanto, disparar un clavo incluso después de haberlo desconectado. El clavador y la manguera de aire deben contar con un acople de manguera, de manera que se pueda remover toda la presión del clavador al desconectar la junta de acoplamiento.
- (3) **Compruebe la palanca de empuje antes de la utilización.** Cerciérese de que la palanca de empuje funciona adecuadamente. (La palanca de empuje puede denominarse "Seguridad"). No utilice nunca el clavador a menos que la palanca de empuje funcione adecuadamente, ya que de lo contrario el clavador podría disparar inesperadamente un clavo. No cambia ni quite la palanca de empuje, ya que de lo contrario se vuelve inoperable.
- (4) **Mantenga todos los tornillos y cubiertas bien apretados en su lugar.** Mantenga todos los tornillos y cubiertas firmemente apretados. Compruebe periódicamente su condición. No utilice nunca el clavador si hay piezas perdidas o dañadas.
- (5) **No cargue clavos con el gatillo o la palanca de empuje presionada.** Cuando cargue clavos en el clavador, o cuando conecte la manguera de aire,
- 1) no apriete el gatillo;
 - 2) no presione la palanca de empuje; y
 - 3) mantenga el clavador apuntado hacia abajo.
- (6) **Mantenga las manos y los pies alejados de la cabeza de salida de los clavos durante la utilización.** No coloque las manos ni los pies a menos de 6 pulgadas (200 mm) de la cabeza de salida de clavos. Si la pieza de trabajo desvía los clavos o si éstos salen del punto de introducción puede sufrir lesiones serias.
- (7) **No clave en paneles finos, ni cerca de las esquinas ni los bordes de la pieza de trabajo.** Los clavos podrían atravesar la pieza de trabajo y herir a alguien.
- (8) **No clave nunca clavos desde ambos lados de una pared al mismo tiempo.** Los clavos podrían traspasar el panel y lesionar a la persona que se encuentra en el lado opuesto.
- (9) **Compruebe si hay cables activos.** Evite el riesgo de descargas eléctricas comprobando si hay cables activos escondidos en paredes, suelos o techos. Abra el disyuntor para asegurarse de que no quedan cables activos.
- (10) **No transporte nunca el clavador por el cable.**
- (11) **No desconecte la manguera de aire del clavador con el dedo puesto en el gatillo.** El clavador podría disparar un clavo cuando reconectase el suministro de aire.
- (12) **MANEJE CORRECTAMENTE EL CLAVADOR.** Maneje el clavador de acuerdo con las instrucciones de este manual. No permita que el clavador sea utilizado por niños, personal no autorizado o personas que no estén familiarizadas con su funcionamiento.
- (13) **No utilice nunca el clavador para aplicaciones que no sean las especificadas en este manual.**
- (14) **No modifique ni altere nunca el clavador.** Si lo hiciera podría funcionar mal y provocar lesiones.
- (15) **No quite el tapón guardapolvo.** Podrían salir despedidos fragmentos del alambre que une los clavos.
- (16) **Cierre la guía de los clavos y no la abra durante la operación.** Si clavase clavos con la guía de la misma abierta, éstos podrían desviarse de la pieza de trabajo.

SEGURIDAD — Continuación

ADVERTENCIA

RESPONSABILIDADES DEL EMPRESARIO

1. Asegúrese de que este MANUAL esté al alcance de los operadores y del personal de mantenimiento.
2. Asegúrese de que el clavador se utilice solamente cuando el operador y demás personas que se encuentren en el área de trabajo estén utilizando GAFAS PROTECTORAS PARA LOS OJOS.
3. Recalque que el operador y las demás personas que se encuentren en el área de trabajo necesitan utilizar GAFAS PROTECTORAS PARA LOS OJOS.
4. Mantenga el clavador en un orden de funcionamiento seguro.
5. Mantenga adecuadamente el clavador.
6. Si un clavador necesita reparación, no lo utilice.

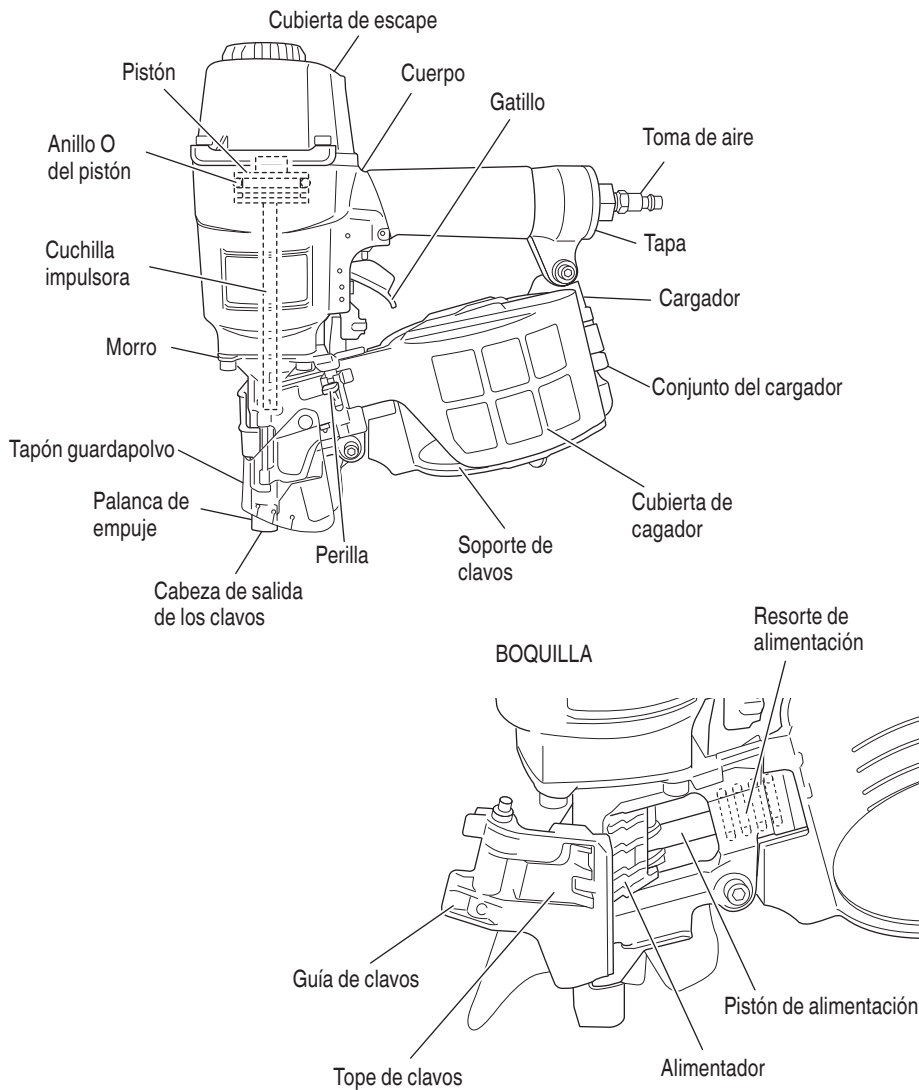
**¡GUARDE ESTE MANUAL
AL ALCANCE DE CUALQUIERA!**

OPERACIÓN

NOTA: La información contenida en este manual ha sido diseñada para ayudarle a utilizar con seguridad este clavador.

Algunas de las ilustraciones de este manual pueden mostrar detalles o accesorios diferentes a los de su propio clavador.

NOMENCLATURA



ESPECIFICACIONES

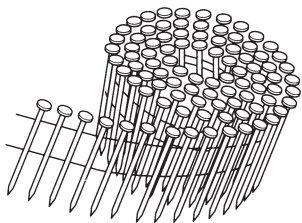
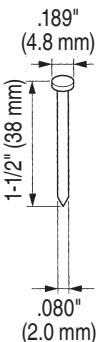
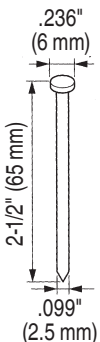
Presión de operación	80 – 120 psi (5.4 – 8.3 barías, 5.5 – 8.5 kgf/cm ²)
Dimensiones Longitud x Altura x Anchura	12" x 12-7/16" x 5-13/64" (305 mm x 316 mm x 132 mm)
Peso	5.9 libras (2.7 kg)
Capacidad de clavos	200 – 300 clavos (1 ristra)
Consumo de aire	.049 pies ³ /ciclo a 100 psi (1.4 litros/ciclo a 6.9 barías) (1.4 litros/ciclo a 7 kgf/cm ²)
Entrada de aire	Rosca 3/8 NPT

SELECCIÓN DE CLAVOS

⚠ ADVERTENCIA

- Asegúrese de usar únicamente puntas legítimas Hitachi para el NV65AN. El uso de otras puntas puede producir un fallo de funcionamiento de la herramienta y/o la rotura de la punta, lo provocaría a su vez lesiones de gravedad.

Con este clavador solamente podrán utilizarse los clavos indicados en la tabla siguiente.

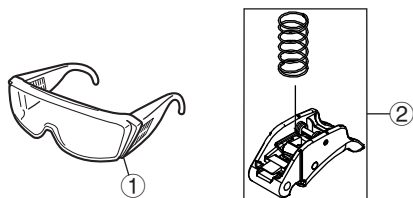
	Min.	Máx.
 <p>Clavos en ristra unidas con alambre</p>	 <p>.189" (4.8 mm)</p> <p>1-1/2" (38 mm)</p> <p>.080" (2.0 mm)</p>	 <p>.236" (6 mm)</p> <p>2-1/2" (65 mm)</p> <p>.099" (2.5 mm)</p>

ACCESORIOS

⚠ ADVERTENCIA

- Los accesorios que no sean los mostrados a continuación pueden provocar el mal funcionamiento del clavador y resultar en lesiones.

ACCESORIOS ESTÁNDAR



NV65AN, NV65AN(S)

① Gafas protectoras para los ojos 1

NV65AN

② Conjunto del gatillo de accionamiento secuencial... 1

ACCESORIOS OPCIONALES

... vendido aparte

- Lubricante para herramientas neumáticas
Aceitador de .8 onzas. (25 cc)
(Núm. de código 877153)
- Aceitador de 4 onzas. (120 cc)
(Núm. de código 874042)
- Lata de 1 cuarto de galón (1 litro)
(Núm. de código 876212)

NOTA: Los accesorios están sujetos a cambio sin ninguna obligación por parte de HITACHI.

APLICACIONES

- Fabricación de palets de madera, tambores y exportación de cajas de madera.
- Operaciones de embalaje en plantas de fabricación y otros tipos de embalajes y trabajos de cajas y jaulas en general.
- Trabajos de construcción de madera como puedan ser suelos y marcos de paredes, balcones, estructuras de suelos.
- Construcción de casas móviles y modulares.

ANTES DE LA OPERACIÓN

Lea la sección titulada “SEGURIDAD” (páginas 41 – 45).

Antes de la utilización, cerciőrese de lo siguiente.

ENTORNO DE TRABAJO

⚠ ADVERTENCIA

- En el lugar de trabajo no deberá haber gases, líquidos, ni demás objetos inflamables.
- No permita que en el área de trabajo haya niños ni demás personas no autorizadas.

SUMINISTRO DE AIRE

⚠ PELIGRO



- No utilice NUNCA oxígeno ni otros gases embotellados. Podría producirse una explosión.

⚠ ADVERTENCIA

- No conecte nunca el clavador a una presión que pueda sobrepasar potencialmente 200 psi (13.7 barías 14 kgf/cm²).

● No utilice nunca un acoplador sin descarga con el clavador.

1. Fuente de propulsión
 - Utilice solamente aire comprimido limpio, seco, y regulado como fuente de propulsión para este clavador.
 - Los compresores de aire para suministrar aire comprimido a este clavador deberán cumplir los requisitos de la última versión de la norma B 19.3 ANSI “Normas de Seguridad para Compresores para Industrias de Procesos”.
 - La humedad o el aceite en el compresor de aire puede acelerar el desgaste y la corrosión del clavador. Drénelo diariamente.
2. Filtro-Regulador-Lubricador
 - Utilice un regulador con una presión de 0 – 120 psi (0 – 8.3 barías 0 – 8.5 kgf/cm²).
 - Las unidades de filtro-regulador-lubricador ofrecen la condición óptima para el clavador y prolongan su duración útil.

Estas unidades deberán utilizarse siempre.

Filtro.....El filtro elimina la humedad y la suciedad del aire comprimido.

Dréne diariamente el clavador a menos que tenga instalado un dispositivo de drenado automático.

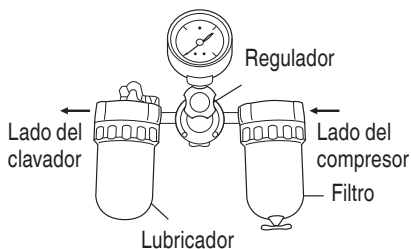
Mantenga limpio el filtro realizando regularmente su mantenimiento.

Regulador.....El regulador controla la presión de operación para poder utilizar con seguridad el clavador.

Inspeccione el regulador antes de la operación a fin de asegurarse de que funcione adecuadamente.

Lubricador...El lubricador rocía aceite al clavador.

Inspeccione el lubricador antes de utilizarlo para comprobar si el suministro de lubricante es adecuado. Utilice lubricante para herramientas neumáticas Hitachi.



3. Manguera de aire
La manguera de aire deberá poder resistir una presión mínima de 150 psi (10.4 barías 10.6 kgf/cm²) o el 150% de la presión máxima producida en el sistema, el valor más alto sea.
4. Consumo de aire
Utilizando la tabla de consumo de aire y la fórmula de tamaño del compresor de aire, busque el tamaño de compresor correcto.

Tabla de consumo de aire

	psi	80	90	100
Presión de operación	(barías)	(5.5)	(6.2)	(6.9)
	(kgf/cm ²)	(5.6)	(6.3)	(7)
Consumo de aire	pies ³ /ciclo	.039	.042	.049
	(litros/ciclo)	(1.1)	(1.2)	(1.4)

Fórmula de tamaño del compresor

Cantidad de aire requerida

= número de clavadores

× promedio de clavos clavados cada minuto por clavadador

× consumo de aire a la presión dada

× factor de seguridad (siempre 1.2)

Ejemplo: 2 clavadores funcionando a 100 psi para clavar 30 clavos por minuto

Cantidad de aire requerida

= 2 × 30 × .049 (1.4) × 1.2

= 3.5 CFM ((pies³/min) (101 litros/min)

Después de haber realizado los cálculos indicados arriba, tendrá que buscar un compresor que proporcione 3.5 CFM de aire, que es el valor requerido.

LUBRICACIÓN

Es muy importante que el clavadador esté adecuadamente lubricado.

Sin la lubricación apropiada, el clavadador no trabajará correctamente y las piezas se desgastarán prematuramente.

- Utilice lubricante para herramientas neumáticas Hitachi.
No utilice aceite detergente ni aditivos. Estos lubricantes dañarían las juntas tóricas y demás piezas de caucho. Esto haría que el clavadador funcionase mal.
- Habrá que utilizar siempre unidades de filtro-regulador-lubricador.
Mantenga el lubricador lleno con lubricante para herramientas neumáticas Hitachi.
- Si no dispone de lubricador, aplique 5 – 10 gotas de lubricante para herramientas neumáticas Hitachi a la entrada de aire del clavadador dos veces al día.

CUIDADOS PARA CLIMAS FRÍOS

- No guarde el clavadador en lugares fríos.
Déjelo en un lugar cálido antes de comenzar a trabajar.
- Si el clavadador está frío, póngalo en un lugar cálido y deje que se caliente antes de utilizarlo.
 - ① Reduzca la presión de aire a 80 psi (5.4 barías 5.5 kgf/cm²).
 - ② Quite todos los clavos del clavadador.
 - ③ Conecte la manguera de aire y dispare (disparo en vacío) el clavadador.
La reducción de la presión de aire será suficiente para disparar en vacío el clavadador.
La operación a baja velocidad tiende a calentar las partes móviles.

⚠ PRECAUCIÓN

- No dispare en vacío el clavadador a alta presión.

PRUEBA DEL CLAVADOR

⚠ PELIGRO



- Los operadores y demás personas que se encuentren en el área de trabajo **DEBEN** usar gafas protectoras con blindajes laterales que cumplan con las especificaciones ANSI Z87.1.

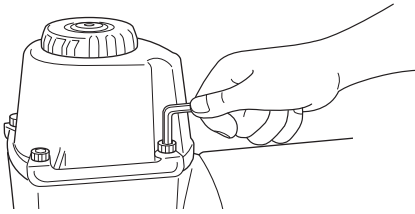
⚠ ADVERTENCIA

- No utilice nunca el clavadador a menos que la palanca de empuje funcione adecuadamente.

Antes de comenzar el trabajo, pruebe el clavadador utilizando la lista de comprobaciones siguiente. Realice las comprobaciones en el orden indicado.

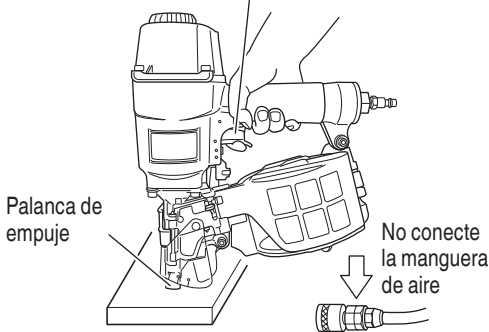
Si se produce alguna operación anormal, deje de utilizar el clavadador y póngase inmediatamente en contacto con un centro de reparaciones autorizado por Hitachi.

- (1) DESCONECTE LA MANGUERA DE AIRE DEL CLAVADOR.
QUITE TODOS LOS CLAVOS DEL CLAVADOR.
 - TODOS LOS TORNILLOS DEBERÁN ESTAR APRETADOS.
Si hay algún tornillo flojo, apriételo.



LA PALANCA DE EMPUJE DEBERÁ PODER ACCIONARSE SIN DIFICULTAD.

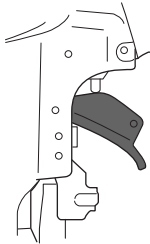
Gatillo



- (2) Ajuste la presión del aire a 70 psi (4.9 barías 5 kgf/cm²).
Conecte la manguera de aire.
- (3) **RETIRE TODOS LOS CLAVOS DEL CLAVADOR.**
No presione o coloque la palanca de empuje contra una superficie, ya que el dispositivo de conmutación no girará.

MECANISMO DE ACTUACIÓN POR CONTACTO

Identificado por: **GATILLO NEGRO**



- (1) Con el clavador alejado de la madera, tire del gatillo. A continuación, presione la palanca de empuje contra la madera.
- EL CLAVADOR DEBERÁ FUNCIONAR.

- (2) A continuación, presione la palanca de empuje contra la pieza de trabajo. Ahora tire del gatillo.

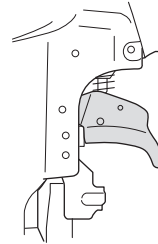
EL CLAVADOR DEBERÁ FUNCIONAR.

- (3) Si no observa nada anormal, cargue clavos en el clavador. Clave en la pieza de trabajo los mismos clavos que vaya a utilizar en la aplicación real.

EL MARTILLO AUTOMÁTICO DEBERÁ FUNCIONAR ADECUADAMENTE.

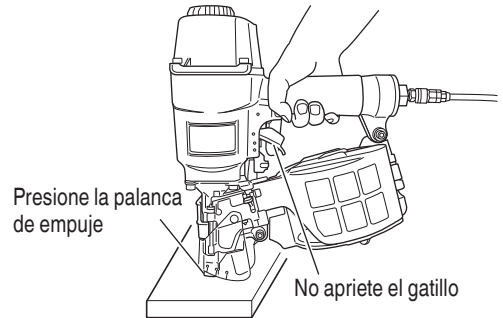
MECANISMO DE ACTUACIÓN SECUENCIAL ÚNICO)

Identificado por: **GATILLO ROJO**



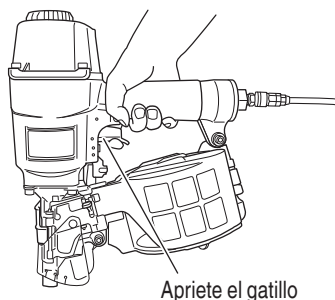
- (1) Retire el dedo del disparador y presione la palanca de empuje contra la madera.

EL CLAVADOR NO DEBERÁ FUNCIONAR.



- (2) Retire la palanca de empuje de la madera. Seguidamente, dirija el clavador hacia abajo, jale el gatillo y espere en esa posición durante 5 segundos o más.

EL CLAVADOR NO DEBERÁ FUNCIONAR.



- (3) En primer lugar, tire del gatillo.
A continuación, presione la palanca de empuje contra la madera.

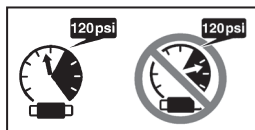
EL CLAVADOR NO DEBERÁ FUNCIONAR.

- (4) Sin tocar el gatillo, presione la palanca de empuje contra la madera.
A continuación, tire del gatillo.

EL CLAVADOR DEBERÁ FUNCIONAR.

AJUSTE DE LA PRESIÓN DE AIRE

⚠ ADVERTENCIA



- No sobrepase 120 psi (8.3 barías 8.5 kgf/cm²).

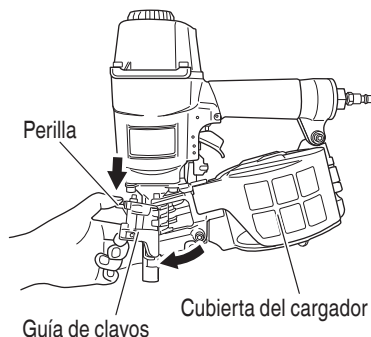
Ajuste la presión del aire al valor recomendado, 80 – 120 psi (5.4 – 8.3 barías 5.5 – 8.5 kgf/cm²) de acuerdo con la longitud de los clavos y la dureza de la pieza de trabajo. La presión de aire correcta es la más baja con la que pueda realizarse el trabajo. La utilización del clavador con una presión de aire más alta de la requerida lo forzará innecesariamente.

CARGA DE CLAVOS

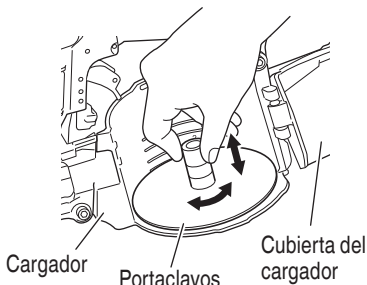
⚠ ADVERTENCIA

- Cuando cargue los clavos en el clavador,
 - 1) no apriete el gatillo,
 - 2) no apriete la palanca de empuje, y
 - 3) mantenga el clavador apuntando hacia abajo.

- (1) Sujete la guía de clavos y la perilla con los dedos. Presione la perilla hacia abajo y abra la guía de clavos.
Luego abra la cubierta del cargador.

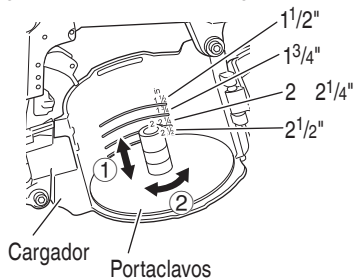


- (2) Ajuste la posición de la placa de acuerdo con la longitud de los clavos.
Los clavos no serán alimentados correctamente sin haber ajustado debidamente la placa.

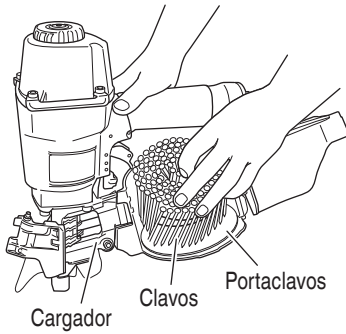


NOTA: Antes de cargar los clavos en el cargador, ajuste la placa. Si se cerrara la cubierta a la fuerza, sin ajustar correctamente la placa, sea podrá dañar el portaclavos.

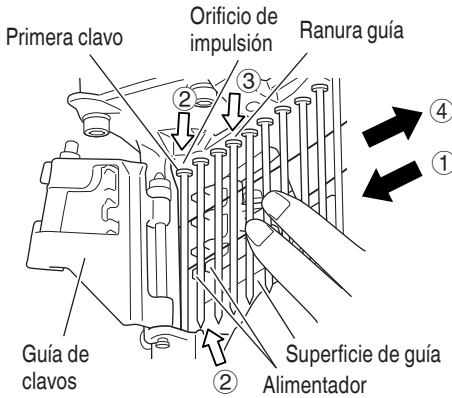
- ① Deslice en la dirección vertical posible. Levante o baje el portaclavos según las diferentes longitudes de los clavos.
- ② Ajuste la placa a los puntos de referencia de longitud del clavo en la cubierta del cargador y gire el soporte del clavo 45 grados.



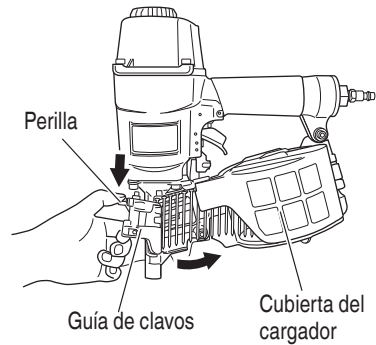
- (3) Coloque el rollo de clavos dentro del cargador. Desenrolle el número de clavos necesario hasta llegar al orificio de impulsión.



- (4) ① Desbobine suficientes clavos para llegar al orificio de impulsión.
 ② Inserte la primera clavo en el orificio de impulsión y la segunda entre las dos uñas del alimentador.
 ③ Fije las cabezas de las clavos en la ranura guía.



- ④ Empujando las clavos hacia la derecha, oscile la guía de clavos para cerrarla.
 (5) Cierre primero la cubierta del cargador y cierre la guía de clavos.
 (6) Bloquee correctamente la perilla.



NOTA: Tenga cuidado de no deformar los alambres intercalados ni de desenganchar los clavos de la superficie de guía. De lo contrario, la guía de clavos no se podrá cerrar correctamente.

OPERACIÓN DEL CLAVADOR

Lea la sección titulada "SEGURIDAD" (páginas 41 - 45).

⚠ PELIGRO



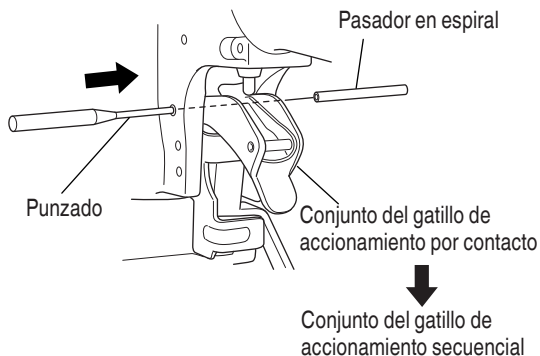
- Los operadores y demás personas que se encuentren en el área de trabajo **DEBEN** usar gafas protectoras con blindajes laterales que cumplan con las especificaciones ANSI Z87.1.

⚠ ADVERTENCIA



- No dirija **NUNCA** la herramienta hacia sí mismo o hacia otras personas del área de trabajo.
- Para evitar un disparo accidental, mantenga los dedos **ALEJADOS** del gatillo disparador cuando no se esté usando la herramienta.
- Es importante la elección de método de activación.
 Por favor lea y comprenda los "Métodos de operación" descritos más abajo.

- Antes de comenzar a trabajar, verifique los tipos de funcionamiento para colocar clavos.
- No coloque sus manos ni pies a menos de 8" (200 mm) de la cabeza de salida de los clavos.
- No clave un clavo sobre otro, ni con el clavador con un ángulo demasiado agudo, ya que los clavos podrían rebotar y herir a alguien.
- No clave clavos en paneles finos ni cerca de esquinas ni bordes de la pieza de trabajo. Los clavos podrían traspasar la pieza de trabajo y lesionar a alguien.
- No clave nunca clavos desde ambos lados de una pared al mismo tiempo. Los clavos podrían traspasar la pared y lesionar a la persona de la otra parte.
- No utilice nunca un clavador defectuoso o que funcione anormalmente.
- No utilice el clavador a modo de martillo normal.
- Desconecte la manguera de aire del clavador cuando:
 - 1) no vaya a utilizarlo,
 - 2) vaya a abandonar el área de trabajo,
 - 3) vaya a trasladarse a otro lugar, y
 - 4) vaya a entregárselo a otra persona,



- MECANISMO DE ACTUACIÓN SECUENCIAL SIMPLE: En primer lugar, presione la palanca de empuje contra la pieza de trabajo y, a continuación, jale el gatillo para introducir el clavo. Una vez que se introduzca un clavo, no se podrá volver a clavar hasta que suelte el gatillo y lo vuelva a presionar.

MÉTODOS DE OPERACIÓN

Este clavador está equipado con una palanca de empuje, y no funcionará a menos que ésta esté presionada (posición hacia arriba).

Existen tres métodos de operación para clavar clavos con este clavador.

Estos métodos son:

1. Operación intermitente (Disparo con el gatillo):
MECANISMO DE ACTUACIÓN DE CONTACTO,
MECANISMO DE ACTUACIÓN SECUENCIAL SIMPLE
2. Operación continua (Disparo con la palanca de empuje):
MECANISMO DE ACTUACIÓN DE CONTACTO
3. Funcionamiento secuencial simple (Disparo con el gatillo):
MECANISMO DE ACTUACIÓN SECUENCIAL SIMPLE

- (1) Operación intermitente (Disparo con el gatillo)

⚠ ADVERTENCIA

- Para evitar el doble disparo o el disparo accidental debido a la reculada.
 - 1) Jale el gatillo rápida y firmemente.

- ① Coloque la salida de los clavos sobre la pieza de trabajo con el dedo fuera del gatillo.
- ② Presione a fondo la palanca de empuje.
- ③ Apriete el gatillo para clavar el clavo.
- ④ Separe el dedo del gatillo.

Hay dos tipos de funcionamiento para colocar clavos con esta clavadora.

Utilice el MECANISMO DE ACTUACIÓN POR CONTACTO o el MECANISMO DE ACTUACIÓN SECUENCIAL SIMPLE de acuerdo con la tarea que se va a realizar.

Explicación sobre las diversas operaciones de clavado

- MECANISMO DE ACTUACIÓN POR CONTACTO:

En primer lugar, presione la palanca de empuje contra la madera y, a continuación, jale el gatillo para introducir el clavo. O,

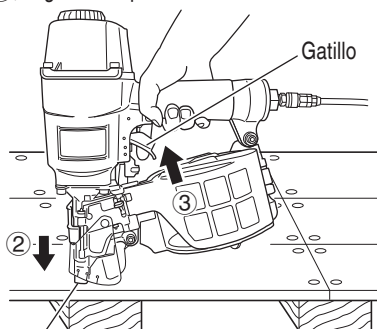
jale el gatillo, y, seguidamente, presione la palanca de empuje contra la madera para que se introduzca el clavo.

Si mantiene el gatillo apretado, se introducirá un clavo cada vez que se presiona la palanca de empuje contra la madera.

El modelo NV65AN se envía con un CONJUNTO DE ACCIONAMIENTO POR CONTACTO.

Al cambiar del CONJUNTO DE ACCIONAMIENTO POR CONTACTO AL CONJUNTO DE ACCIONAMIENTO SECUENCIAL, colóquelo el interruptor en CONJUNTO DE ACCIONAMIENTO SECUENCIAL.

Para continuar clavando en un lugar separado, mueva el clavador a lo largo de la madera, repitiendo los pasos ① - ④, según se requiera.



Palanca de empuje

⚠ ADVERTENCIA

- Se dispara un clavo cada vez que se presiona el gatillo, siempre que la palanca de empuje permanezca presionada.

- (2) Operación continua (Disparo con la palanca de empuje)
Utilización del MECANISMO DE ACTUACIÓN POR CONTACTO

⚠ ADVERTENCIA

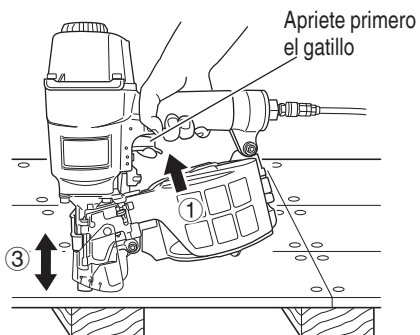
- Para evitar el doble disparo o el disparo accidental debido a la reculada.

- 1) No presione el clavador contra la madera con una fuerza excesiva.
- 2) Retire el clavador de la madera después de efectuar el clavado.

- ① Apriete el gatillo con el clavador fuera de la pieza de trabajo.
- ② Presione la palanca de empuje contra la pieza de trabajo para clavar un clavo.
- ③ Desplace el clavador por la pieza de trabajo con un movimiento de rebote.

Con cada presión de la palanca de empuje se clavará un clavo.

Después de haber clavado los clavos necesarios, separe el dedo del gatillo.



- (3) Funcionamiento secuencial simple (Disparo con el gatillo)

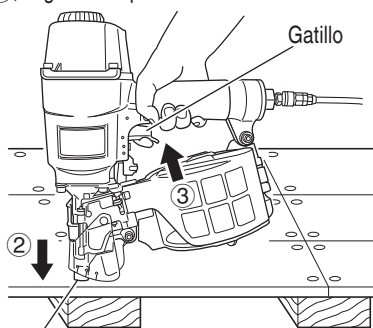
⚠ ADVERTENCIA

- Para evitar el doble disparo o el disparo accidental debido a la reculada.

- 1) Jale el gatillo rápida y firmemente.

- ① Coloque la salida de los clavos sobre la pieza de trabajo con el dedo fuera del gatillo.
- ② Presione a fondo la palanca de empuje.
- ③ Apriete el gatillo para clavar el clavo.
- ④ Separe el dedo del gatillo.

Para continuar clavando en un lugar separado, mueva el clavador a lo largo de la madera, repitiendo los pasos ① - ④, según se requiera.



Palanca de empuje

⚠ ADVERTENCIA

- Mantenga el dedo separado del gatillo excepto durante la operación, porque esto podría resultar en lesiones si la palanca de presión entrase en contacto con su cuerpo o con el de otras personas del área de trabajo.

- Mantenga las manos y el cuerpo alejados del área de descarga. Este clavador Hitachi podría rebotar por la reculada producida al meter un sujetador, y producir la introducción no intencional del siguiente sujetador, con el riesgo de sufrir lesiones.
- Algunos tipos de clavos cargados pueden echar chispas a través de la boca durante la operación de clavado. ¡Tenga cuidado!

El MECANISMO DE ACTUACIÓN SECUENCIAL SIMPLE se usa para colocar los fijadores con gran precisión.

El MECANISMO DE ACTUACIÓN SECUENCIAL SIMPLE puede disminuir la ocurrencia de lesiones en el área de trabajo en comparación con el MECANISMO DE ACTUACIÓN DE CONTACTO. **Esto se debe a que hay menos posibilidades de lanzar un clavo de forma no intencional a alguna persona si continúa presionando el gatillo y presiona la palanca de manera accidental.**

El MECANISMO DE ACTUACIÓN SECUENCIAL SIMPLE puede también reducir la velocidad de funcionamiento en comparación con el MECANISMO DE ACTUACIÓN DE CONTACTO. Se recomienda que los usuarios con poca experiencia usen el MECANISMO DE ACTUACIÓN SECUENCIAL SIMPLE.

NOTA:

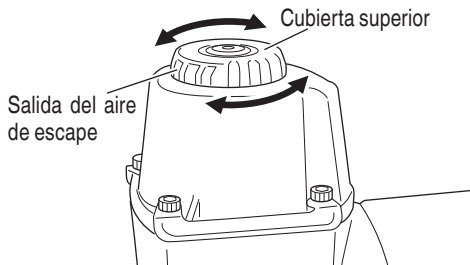
- Si se respetan todas las advertencias y precauciones, se podrá realizar una operación segura con los dos sistemas: MECANISMO DE ACTUACIÓN POR CONTACTO y MECANISMO DE ACTUACIÓN SECUENCIAL SIMPLE.
- Maneje con cuidado el paquete de clavos. Si los clavos se cayesen, el cable de la ristra podría romperse.
- Después de haber clavado los clavos:
 - 1) desconecte la manguera de aire del clavador,
 - 2) extraiga todos los clavos del clavador,
 - 3) aplique 5 - 10 gotas de lubricante para herramientas neumáticas Hitachi a la entrada de aire del clavador, y
 - 4) abra la llave de escape del depósito del compresor de aire para drenar la humedad que pueda existir.

CAMBIO DEL SENTIDO DEL AIRE DE ESCAPE

⚠ ADVERTENCIA

- Cuando cambie la dirección de escape, asegúrese de retirar su dedo del disparador y de desconectar la manguera de aire del clavador.

El sentido del aire de escape podrá cambiarse girando la cubierta superior.



MANTENIMIENTO

NOTA: La información contenida en este manual ha sido diseñada para ayudarle a mantener con seguridad este clavador.

Algunas ilustraciones de este manual pueden mostrar detalles o dispositivos diferentes a los de su propio clavador.

MANTENIMIENTO E INSPECCIÓN

Lea la sección titulada “SEGURIDAD” (páginas 41 - 45).

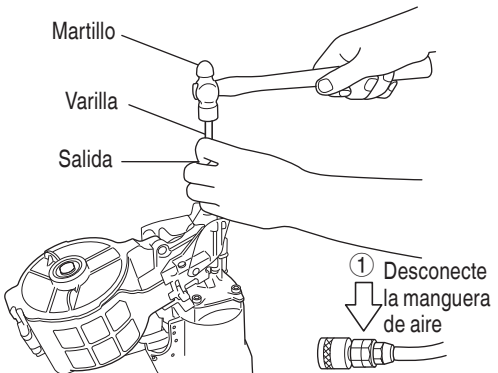
⚠ ADVERTENCIA

- **Desconecte la manguera y extraiga todos los clavos del clavador antes de:**
 - 1) realizar trabajos de mantenimiento e inspección, y
 - 2) desatascar el clavador.

1. Desatascado

Desatasque los clavos en el orden siguiente:

- ① **DESCONECTE LA MANGUERA DE AIRE.**
- ② Abra la guía de clavos.
- ③ Inserte una varilla en la salida.
Golpee la varilla con un martillo.



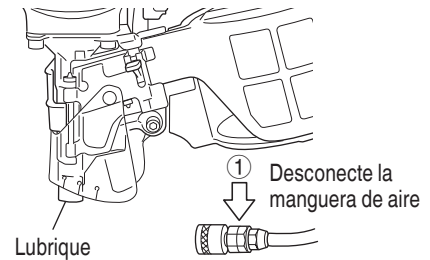
- ④ Quite el clavo atascado con un destornillador de clavos plana.



- ⑤ Corte el alambre de unión deformado con unos alicates.
Corrija la deformación.
- ⑥ En caso de atasco frecuente, póngase en contacto con un centro de reparaciones autorizado por Hitachi.

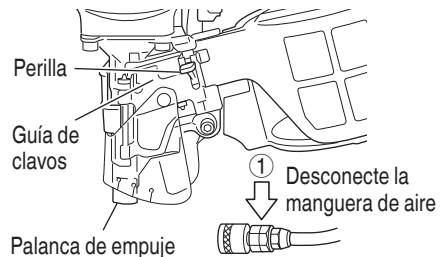
2. Inspección de la palanca de empuje

- ① **DESCONECTE LA MANGUERA DE AIRE.**
- ② Limpie la parte deslizante de la palanca de empuje.
Lubríquela con lubricante para herramientas neumáticas Hitachi.

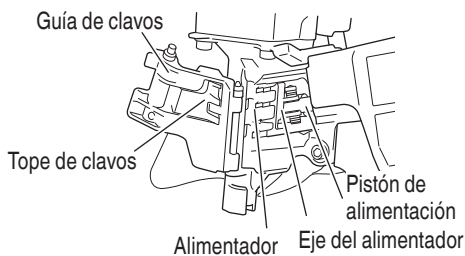


3. Inspección de los alimentadores

- ① **DESCONECTE LA MANGUERA DE AIRE.**
- ② Limpie la parte deslizante de la perilla.
Lubríquela con lubricante para herramientas neumáticas Hitachi.



- ③ Abra la guía de clavos y quite el polvo.
Lubrique la ranura deslizante del alimentador y los ejes.



- ④ Lubrique las superficies del morro y de la guía de clavos después de la limpieza. Esto suavizará la operación e impedirá la oxidación.

⚠ PRECAUCIÓN

- Corrobore que el tope de clavos se deslice sin problemas empujándolo con el dedo. Si no hay suavidad, las clavos se clavarán a ángulos irregulares y pueden herir a alguien.

4. Inspección del cargador

- ① DESCONECTE LA MANGUERA DE AIRE.
- ② Limpie el cargador. Quite el polvo o las virutas de madera que puedan haberse acumulado en el cargador.

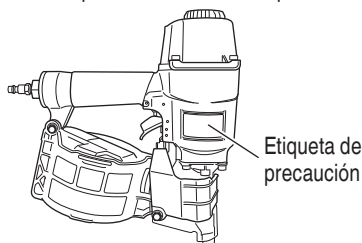
5. Almacenamiento

- Cuando no vaya a utilizar el clavador durante mucho tiempo, aplique una capa fina de lubricante a las piezas de acero para evitar que se oxiden.
- No guarde el clavador en un lugar frío. Guarde el clavador en un lugar cálido.
- Cuando no vaya a utilizar el clavador, deberá guardarlo en un lugar cálido y fresco. Mantenga el clavador fuera del alcance de los niños.

6. ETIQUETA DE PRECAUCIÓN

Si la ETIQUETA DE PRECAUCIÓN se pierde o daña, cámbiela por otra.

Solicite la nueva ETIQUETA DE PRECAUCIÓN a un centro de reparaciones autorizado por Hitachi.



7. Tabla de mantenimiento (Consulte la página 58.)
8. Solución de problemas por parte del operador (Consulte la página 59.)
9. Lista de repuestos

⚠ PRECAUCIÓN

- La reparación, modificación e inspección de las herramientas eléctricas Hitachi deben ser realizadas por un Centro de Servicio Autorizado de Hitachi.

Esta lista de repuestos será de utilidad si es presentada junto con la herramienta al Centro de Servicio Autorizado de Hitachi para solicitar la reparación o cualquier otro tipo de mantenimiento. En el manejo y el mantenimiento de las herramientas eléctricas, se deberán observar las normas y reglamentos vigentes en cada país.

MODIFICACIONES

Hitachi Power Tools introduce constantemente mejoras y modificaciones para incorporar los últimos avances tecnológicos.

Por consiguiente, algunas partes pueden ser modificadas sin previo aviso.

SERVICIO Y REPARACIONES

⚠ ADVERTENCIA

- Este clavador solamente deberá repararlo personal entrenado por Hitachi, un distribuidor, o el empresario.
- Para la reparación, utilice solamente las piezas suministradas o recomendadas por Hitachi.

Todos los clavadores de calidad requerirán el servicio de mantenimiento o de reemplazo de piezas debido al desgaste con la utilización normal.

NOTA: Las especificaciones están sujetas a cambio sin previo aviso sin ninguna obligación por parte de HITACHI.

Tabla de mantenimiento

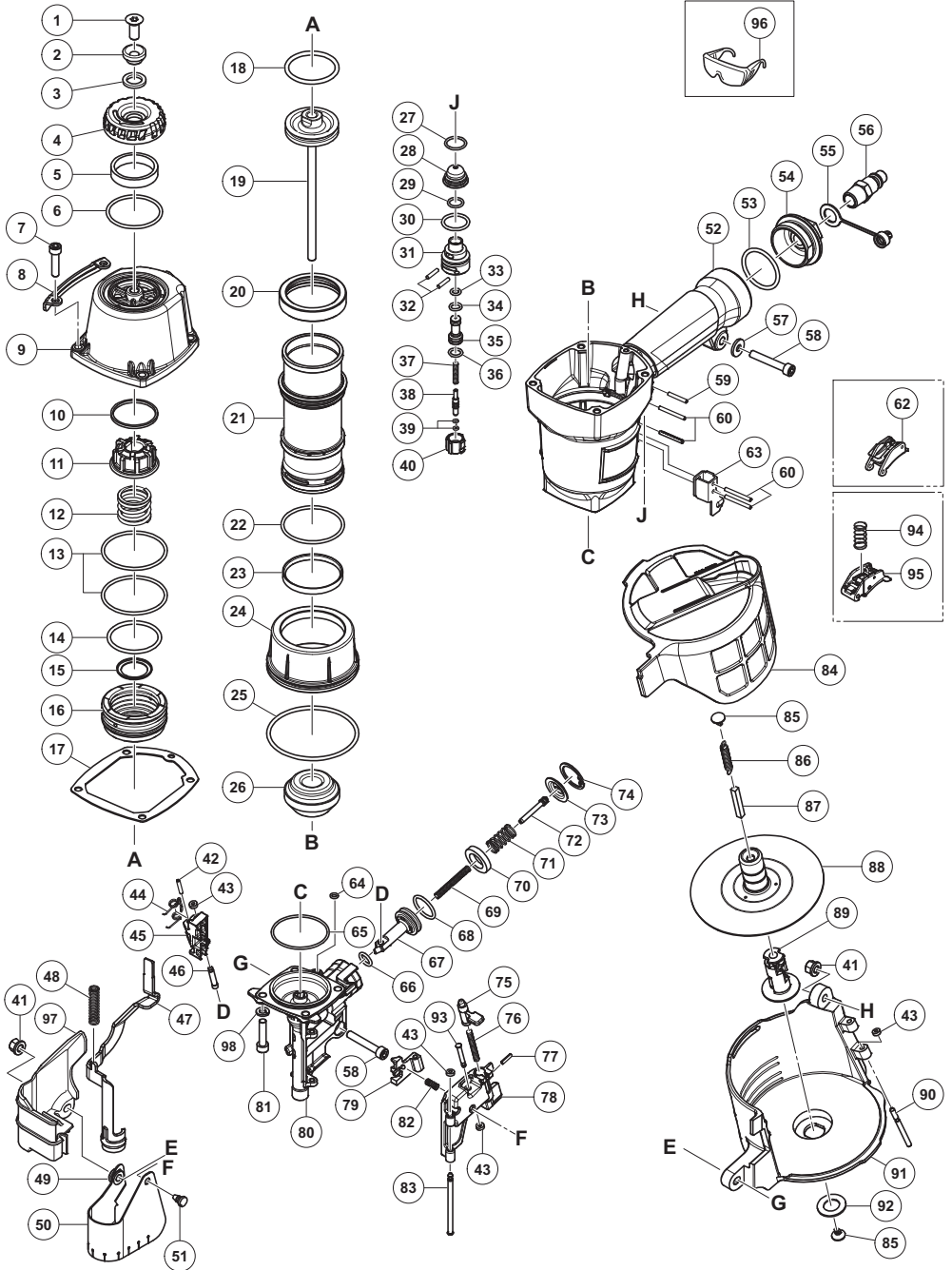
ACCIÓN	PARA	CÓMO
Drenaje diario del filtro de la línea de aire.	Evitar la acumulación de humedad y suciedad.	Abra la llave de escape manual.
Mantenimiento del lubricador lleno.	Mantener el clavador lubricado.	Rellene con lubricante para herramientas neumáticas Hitachi.
Limpieza del elemento del filtro y soplado de aire a través del mismo en sentido opuesto al normal de flujo del aire.	Evitar que el filtro se atasque con suciedad.	Siga las instrucciones del fabricante.
Limpieza del cargador y del mecanismo del alimentador.	Evitar atascos.	Sople diariamente.
Mantenimiento de la palanca de empuje en perfectas condiciones.	Garantizar la seguridad del operador y la operación eficaz del clavador.	Sople diariamente.
Lubricación del clavador después de haberlo utilizado.	Prolongar la duración del clavador.	Aplique 5 – 10 gotas de lubricante al clavador.
Drenaje del compresor de aire.	Mantener el clavador en buenas condiciones de operación.	Abra la llave de escape.

Solución de problemas por parte del operador

La mayoría de los problemas sin importancia podrán resolverse fácilmente utilizando la tabla siguiente.

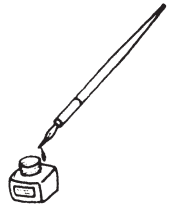
Si el problema persiste, póngase en contacto con un centro de reparaciones autorizado por Hitachi.

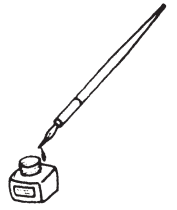
PROBLEMA	MÉTODO DE COMPROBACIÓN	SOLUCIÓN
El clavador funciona pero no clava clavos.	Compruebe si está atascado.	Desatásquelo.
	Compruebe el funcionamiento del alimentador de clavos de acuerdo con la página 56.	Limpie y lubrique.
	Compruebe si los clavos son las apropiados.	Utilice solamente los clavos recomendados.
Poca fuerza. Reciclado lento.	Compruebe la presión de aire.	Aumente la presión de aire. (No sobrepase 120 psi (8.3 barías 8.5 kgf/cm ² .)
	-----	Utilice lubricante para herramientas neumáticas Hitachi.
	¿Está gastada la cuchilla impulsora?	Solicite otra de reemplazo a Hitachi.
	¿Está gastado o dañado el anillo O del pistón?	
Los clavos penetran demasiado.	Compruebe la presión de aire.	Reduzca la presión de aire. (Ajústela a 80 – 120 psi)
Salto de clavos. Alimentación intermitente.	Compruebe si está utilizando los clavos apropiados.	Utilice solamente los clavos recomendados.
	Compruebe el funcionamiento del alimentador de clavos de acuerdo con la página 56	Limpie y lubrique.
	Compruebe la posición del soporte de clavos en el cargador de acuerdo con la página 51.	Reemplácelo.
	-----	Utilice lubricante para herramientas neumáticas Hitachi.
	¿Está el anillo O del pistón cortado o muy gastado?	Póngase en contacto con Hitachi para reemplazarlo..
Clavos atascadas. Los clavos se clavan doblados.	Compruebe si los clavos son los apropiados.	Utilice solamente los clavos recomendados.
	¿Está gastada la cuchilla impulsora?	Póngase en contacto con Hitachi para reemplazarlo.
El funcionamiento es normal, pero no es posible clavar a gran velocidad.	Compruebe el diámetro interior de la manguera de aire.	Utilice otra manguera de aire de mayor diámetro.



Item No.	Part Name	Q'TY
1	COUNTER SUNK SCREW	1
2	WASHER	1
3	RUBBER PAD	1
4	TOP COVER	1
5	MUFFLER	1
6	O - RING	1
7	HEX.SOC.HD.BOLT	4
8	BODY GUARD	2
9	EXHAUST COVER	1
10	WASHER SEAL	1
11	EXHAUST VALVE RUBBER	1
12	HEAD VALVE SPRING	1
13	O - RING	2
14	O - RING	1
15	WASHER	1
16	HEAD VALVE	1
17	GASKET	1
18	PISTON O - RING	1
19	PISTON	1
20	COLLAR	1
21	CYLINDER	1
22	O - RING	1
23	CYLINDER RING	1
24	CYLINDER PLATE	1
25	O - RING	1
26	PISTON BUMPER	1
27	O - RING	1
28	COVER-PLUNGER	1
29	O - RING	1
30	O - RING	1
31	VALVE BUSH(B)	1
32	PIN	2
33	O - RING	1
34	O - RING	1
35	VALVE PISTON	1
36	O - RING	1
37	SPRING	1
38	PLUNGER	1
39	O - RING	2
40	VALVE BUSH(A)	1
41	BOLT CAP	2
42	SPIRAL PIN	2
43	PU RETAINER	4
44	FEED SPRING	1
45	FEEDER	1
46	PIN	1
47	PUSH LEVER	1
48	SPRING	1
49	WASHER	1
50	COVER	1
51	PLUG	1
52	BODY	1
53	O - RING	1
54	CAP	1
55	DUST CAP	1
56	AIR PLUG	1
57	FLAT WASHER	1
58	HEX.SOC.HD.BOLT	2
59	SPIRAL PIN	1
60	SPIRAL PIN	4

Item No.	Part Name	Q'TY
62	TRIGGER	1
63	PUSH LEVER GUIDE	1
64	O - RING	1
65	O - RING	1
66	O - RING	1
67	FEED PISTON	1
68	O - RING	1
69	FEED SPRING (B)	1
70	BUMPER	1
71	FEED SPRING (A)	1
72	ROD	1
73	FEED PISTON COVER	1
74	C - RING	1
75	KNOB	1
76	KNOB SPRING	1
77	SPRING PIN	1
78	NAIL GUIDE	1
79	NAIL STOPPER	1
80	NOSE	1
81	HEX.SOC.HD.BOLT	4
82	SPRING	1
83	NAIL GUIDE SHAFT	1
84	MAGAZINE COVER	1
85	SPRING BASE	2
86	PULL SPRING	1
87	SPACER	1
88	NAIL HOLDER	1
89	HOLDER SHAFT	1
90	MAGAZINE SHAFT PIN	1
91	MAGAZINE	1
92	RUBBER RING	1
93	PIN-NAIL STOP	1
94	SPRING	1
95	TRIGGER	1
96	SAFETY GLASSES	1
97	PUSH LEVER COVER	1
98	SPRING WASHER	1





Issued by

 **Hitachi Koki Co., Ltd.**

Shinagawa Intercity Tower A, 15-1, Konan 2-chome,
Minato-ku, Tokyo 108-6020, Japan

Distributed by

 **Hitachi Koki U.S.A., Ltd.**

PO Box 970
Braselton, GA 30517

 **Hitachi Koki Canada Corp.**

450 Export Blvd. Unit B,
Mississauga ON L5S 2A4

412

Code No. C99215962 Ō
Printed in Taiwan