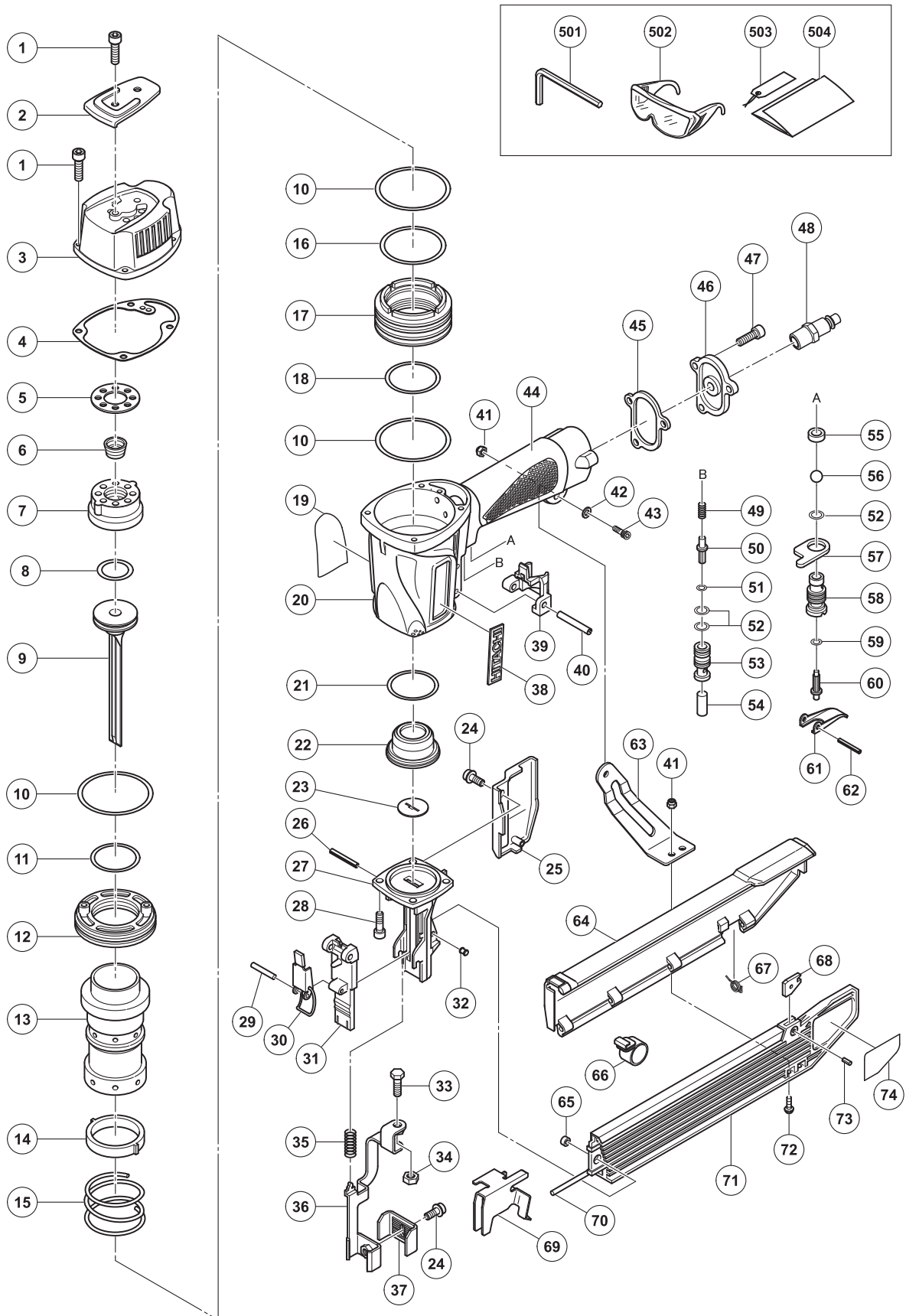


PNEUMATIC TOOL PARTS LIST

STAPLER
Model N 5010A

2007·11·29
(E1)



PARTS

N 5010A

ITEM NO.	CODE NO.	DESCRIPTION	NO. USED	REMARKS
1	949-757	HEX. SOCKET HD. BOLT M5X20 (10 PCS.)	6	
2	876-179	TOP COVER	1	
3	886-444	EXHAUST COVER	1	
4	883-892	GASKET (F)	1	
5	876-178	GASKET (C)	1	
6	878-539	EXHAUST VALVE	1	
7	878-026	HEAD CAP	1	
8	876-174	PISTON O-RING	1	
9	886-437	PISTON	1	
10	885-793	O-RING (I.D. 64.5)	3	
11	877-126	CYLINDER O-RING (D)	1	
12	876-168	CYLINDER PLATE	1	
13	885-792	CYLINDER	1	
14	876-167	CYLINDER RING	1	
15	876-172	CYLINDER SPRING	1	
16	877-123	CYLINDER O-RING (A)	1	
17	877-122	CYLINDER GUIDE	1	
18	877-124	CYLINDER O-RING (B)	1	
19		NAME PLATE	1	
20	886-443	BODY ASS'Y	1	INCLUD. 44
21	877-125	CYLINDER O-RING (C)	1	
22	886-434	PISTON BUMPER	1	
23	886-435	BUMPER SHEET	1	
24	878-540	NYLOCK BOLT (W/FLANGE) M5X8	2	
25	883-724	GUARD	1	
26	949-547	ROLL PIN D4X36 (10 PCS.)	1	
27	886-436	NOSE	1	
28	878-181	NYLOCK HEX. SOCKET HD. BOLT M5X16	4	
29	949-685	ROLL PIN D3X20 (10 PCS.)	1	
30	886-441	LOCK LEVER	1	
31	886-440	BLADE GUIDE	1	
32	881-044	PIN	1	
33	875-650	SAFETY BOLT	1	
34	949-555	NUT M5 (10 PCS.)	1	
35	877-873	SPRING (B)	1	
36	883-714	PUSHING LEVER	1	
37	883-715	PUSHING LEVER PIECE	1	
38	886-342	HITACHI PLATE	1	
39	884-356	VALVE GUARD	1	
40	884-025	ROLL PIN D3X45	1	
41	877-371	NYLON NUT M5	3	
42	876-205	WASHER	1	
43	949-658	HEX. SOCKET HD. BOLT M5X18 (10 PCS.)	1	
44		GRIP RUBBER	1	SUPPLIED WITH ITEM NO. 601, 602
45	877-131	GASKET (D)	1	
46	885-795	CAP	1	
47	949-821	HEX. SOCKET HD. BOLT M5X16 (10 PCS.)	3	
48		AIR PLUG NPT 1/4	1	
49	875-643	PLUNGER SPRING	1	
50	878-542	PLUNGER (A)	1	

