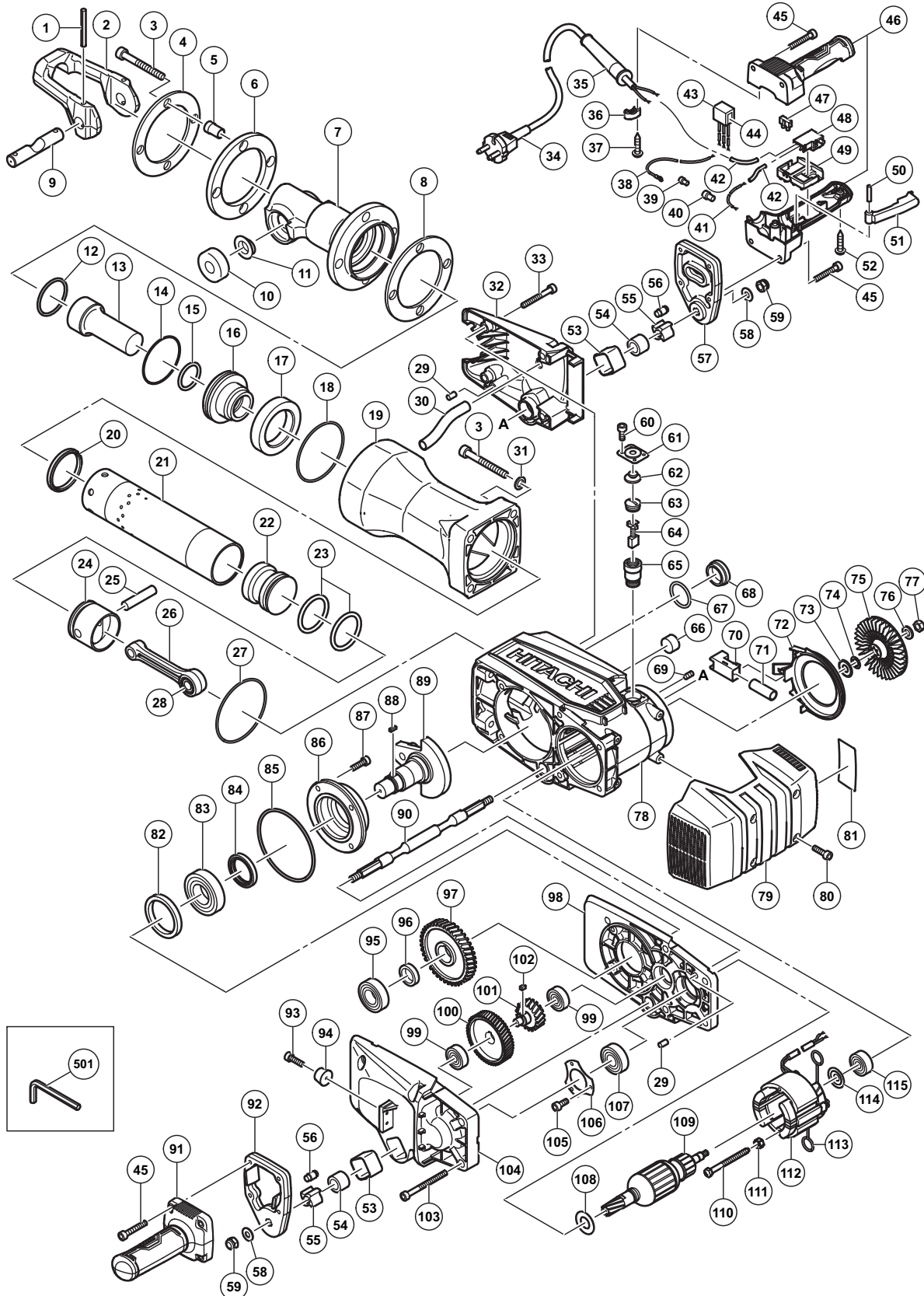


ELECTRIC TOOL PARTS LIST

HAMMER Model H 90SG

2014-5-14
(E1)



PARTS

H 90SG

ITEM NO.	CODE NO.	DESCRIPTION	NO. USED	REMARKS
1	994416	ROLL PIN D6 X 55	2	
2	337040	RETAINER	1	
3	337028	NYLOCK HIGH TENSION BOLT M12 X 65	8	
4	337037	DAMPER PLATE	1	
5	337036	COLLAR	4	
6	337035	FRONT DAMPER (A)	1	
7	337030	FRONT COVER	1	
8	337034	FRONT DAMPER (B)	1	
9	337041	LEVER PIN	1	
10	337039	RETAINER DAMPER (A)	2	
11	337038	RETAINER DAMPER (B)	2	
12	993188	O-RING	1	
13	337033	SECOND HAMMER	1	
14	992865	O-RING (D)	1	
15	337032	O-RING (A)	1	
16	337031	HAMMER HOLDER	1	
17	992859	DAMPER	1	
18	337029	O-RING (C)	1	
19	337026	CYLINDER CASE	1	
20	337025	CYLINDER DAMPER	1	
21	337023	CYLINDER	1	
22	337024	STRIKER	1	
23	337021	O-RING	2	
24	337020	PISTON	1	
25	337022	PISTON PIN	1	
26	337019	CONNECTING ROD ASS'Y	1	INCLUD.28
27	319685	O-RING	1	
28	956485	NEEDLE BEARING (NSK RLM2220)	1	
29	949480	PIN D8 X 14 (10 PCS.)	2	
30	326541	VINYL TUBE (I.D.9.5 X T0.56 X 85)	1	
31	337027	WASHER D12	4	
32	337012	FAN COVER ASS'Y	1	INCLUD.53
33	985226	SEAL LOCK BOLT M10 X 40	4	
* 34	321537	CORD	1	(CORD ARMOR D10.7)
* 34	337365	CORD	1	(CORD ARMOR D14.2) FOR USA,CAN,MEX,PAN (120V)
* 34	337366	CORD	1	(CORD ARMOR D10.7) FOR SIN,UAE (230V,240V), GBR (230V)
* 34	337367	CORD	1	(CORD ARMOR D10.7) FOR AUS,NZL
* 34	500467Z	CORD	1	(CORD ARMOR D10.7) FOR GBR (110V)
* 34	930053	CORD	1	(CORD ARMOR D10.7) FOR UAE (110V)
* 34	500206Z	CORD	1	(CORD ARMOR D10.7) FOR PHI
* 35	337050	CORD ARMOR D10.7	1	
* 35	337049	CORD ARMOR D14.2	1	
* 36	960266	CORD CLIP	1	
* 36	337053	CORD CLIP	1	FOR USA,CAN,MEX,PAN (120V)
37	956636	TAPPING SCREW (W/WASHER) D4 X 25	2	
* 38	337056	INTERNAL WIRE L350	1	FOR GBR,SAF,EUROPE,NOR, FIN,AUT,TUR,RUS,AUS,NZL
* 39	959140	CONNECTOR 50091 (10 PCS.)	1	FOR GBR,SAF,EUROPE,NOR, FIN,AUT,TUR,RUS,AUS,NZL

PARTS

H 90SG

ITEM NO.	CODE NO.	DESCRIPTION	NO. USED	REMARKS	
* 40	959141	CONNECTOR 50092 (10 PCS.)	1	FOR GBR,SAF,EUROPE,NOR, FIN,AUT,TUR,RUS,AUS,NZL	
* 40	959141	CONNECTOR 50092 (10 PCS.)	2	FOR UAE,IND,PHI,SIN,PAN (220V)	
* 41	337055	INTERNAL WIRE (BLACK)	1	EXCEPT FOR UAE (110V),GBR (110V), USA,CAN,MEX,PAN (120V)	
* 41	337054	INTERNAL WIRE (WHITE)	1	FOR UAE (110V),GBR (110V)	
	42	996438	VINYL TUBE (A) (I.D.7 X T0.5 X 50)	2	
* 43	930153	SUPPORT (B)	1	FOR GBR,SAF,EUROPE,NOR, FIN,AUT,TUR,RUS,AUS,NZL	
* 44	317491	NOISE SUPPRESSOR	1	FOR GBR,SAF,EUROPE,NOR, FIN,AUT,TUR,RUS,AUS,NZL	
	45	993496	SEAL LOCK HEX. SOCKET HD. BOLT M6 X 30	8	
	46	337057	HANDLE (A).(B) SET	1	
* 47	938307	PILLAR TERMINAL	1	FOR GBR,SAF,EUROPE,NOR,FIN,AUT,TUR, RUS,AUS,NZL,USA,CAN,MEX,PAN (120V)	
	48	337051	SWITCH	1	
	49	337052	SUPPORT	1	
	50	337363	PIN D6 X 28	1	
	51	337058	SWITCH LEVER	1	
	52	307028	TAPPING SCREW (W/FLANGE) D4 X 25 (BLACK)	2	
	53	337013	HOLDER (B)	2	
	54	337042	HANDLE DAMPER (B)	2	
	55	337044	HOLDER (A)	2	
	56	337045	HANDLE DAMPER (A)	8	
	57	337046	HANDLE HOLDER (B)	1	
	58	949434	BOLT WASHER M10 (10 PCS.)	2	
	59	337048	LOCK NUT (NYLON INSERT) M10	2	
	60	878356	SEAL LOCK HEX. SOCKET HD. BOLT M4 X 10	4	
	61	337017	CAP COVER	2	
	62	992894	CAP RUBBER	2	
	63	937949	BRUSH CAP	2	
	64	999086	CARBON BRUSH (AUTO STOP TYPE) (1 PAIR)	2	
	65	305597	BRUSH HOLDER	2	
	66	336997	FELT PACKING	1	
	67	980717	O-RING (S-38)	1	
	68	990945	OIL CAP ASS'Y	1	INCLUD.67
	69	938477	HEX. SOCKET SET SCREW M5 X 8	2	
	70	336999	SLEEVE	1	
	71	336998	VINYL TUBE	1	
	72	337010	FAN GUIDE	1	
	73	337387	DUST WASHER (FW)	1	
	74	337386	RUBBER WASHER (FW)	1	
	75	337011	FAN	1	
	76	323212	BOLT WASHER M8 (BLACK)	1	
	77	949558	NUT M8 (10 PCS.)	1	
	78	336996	HOUSING ASS'Y	1	INCLUD.65,69
	79	337018	HOUSING COVER	1	
	80	990935	SEAL LOCK HEX. SOCKET HD. BOLT M6 X 16	4	
	81		NAME PLATE	1	
	82	337003	DISTANCE RING (C)	1	

PARTS

H 90SG

ITEM NO.	CODE NO.	DESCRIPTION	NO. USED	REMARKS	
83	6207VV	BALL BEARING 6207VVCMP2S	1		
84	337364	OIL SEAL	1		
85	337004	O-RING	1		
86	337002	BEARING BOSS	1		
87	305603	SEAL LOCK HEX. SOCKET HD. BOLT M8 X 18	4		
88	931008	FEATHER KEY 4 X 4 X 12	1		
89	337005	CRANK SHAFT	1		
90	337043	HANDLE SHAFT	1		
91	337059	SIDE HANDLE	1		
92	337047	HANDLE HOLDER (A)	1		
93	333320	SEAL LOCK HEX. SOCKET HD. BOLT M4 X 20	2		
94	305629	STOPPER	2		
95	6205VV	BALL BEARING 6205VVCMP2L	1		
96	337007	DISTANCE RING (A)	1		
97	337006	FINAL GEAR	1		
98	337000	INNER COVER	1		
99	6301VV	BALL BEARING 6301VVCMP2L	2		
100	337015	FIRST GEAR	1		
101	337014	SECOND GEAR	1		
102	984487	FEATHER KEY 5 X 5 X 8	1		
103	992851	SEAL LOCK HEX. SOCKET HD. BOLT M10 X 60	6		
104	337016	GEAR COVER ASS'Y	1	INCLUD.53	
105	991690	SEAL LOCK HEX. SOCKET HD. BOLT M5 X 12	3		
106	337001	BEARING COVER (A)	1		
107	6204DD	BALL BEARING 6204DDCMP2L	1		
108	337008	BEARING WASHER (A)	1		
* 109	360974C	ARMATURE 110V	1		
* 109	360974U	ARMATURE ASS'Y 120V	1	INCLUD.107,108,114,115	
* 109	360974D	ARMATURE 127V	1		
* 109	360974E	ARMATURE 220V-230V	1		
* 109	360974F	ARMATURE 240V	1		
110	961501	HEX. HD. TAPPING SCREW D5 X 60	2		
111	956764	SPECIAL WASHER	2		
* 112	340876C	STATOR ASS'Y 110V	1	INCLUD.113	
* 112	340876G	STATOR ASS'Y 120V	1	INCLUD.113	
* 112	340876D	STATOR ASS'Y 127V	1	INCLUD.113	
* 112	340876E	STATOR ASS'Y 220V-230V	1	INCLUD.113	
* 112	340876H	STATOR ASS'Y 220V-230V	1	INCLUD.113 FOR PAN,PHI,SIN,UAE,IND	
* 112	340876J	STATOR ASS'Y 240V	1	INCLUD.113	
* 112	340876F	STATOR ASS'Y 240V	1	INCLUD.113 FOR AUS	
113	945932	BRUSH TERMINAL	2		
114	337009	BEARING WASHER (B)	1		
115	6301DD	BALL BEARING 6301DDCMP2L	1		

STANDARD ACCESSORIES

H 90SG

ITEM NO.	CODE NO.	DESCRIPTION	NO. USED	REMARKS	
501	944459	HEX. BAR WRENCH 5MM	1		

OPTIONAL ACCESSORIES

ITEM NO.	CODE NO.	DESCRIPTION	NO. USED	REMARKS	
601	980927	GREASE FOR HAMMER. HAMMER DRILL (500G)	1		
602	313692	WRENCH	1		
603	985230	BULL POINT 20-1/2' (HEX. SHANK TYPE)	1		
604	996372	BULL POINT 410MM (HEX. SHANK TYPE)	1		
605	985231	COLD CHISEL 520MM (HEX. SHANK TYPE)	1		
606	985232	CUTTER W75 X 520MM (HEX. SHANK TYPE)	1		
607	985233	SCOOP 546L (HEX. SHANK TYPE)	1		
608	305880	RAMMER 200MM	1		
609	308092	SHANK	1		