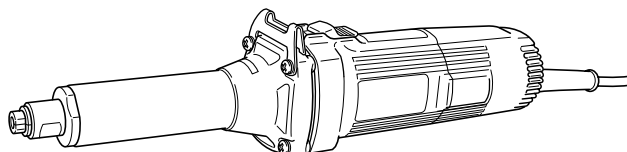


HITACHI

Model
Modèle
Modelo

GP 2S2

Portable Grinder
Meuleuse droite
Amoladora recta



SAFETY INSTRUCTIONS AND INSTRUCTION MANUAL

WARNING

IMPROPER OR UNSAFE use of this power tool can result in death or serious bodily injury!

This manual contains important information about product safety. Please read and understand this manual **BEFORE** operating the power tool. Please keep this manual available for other users and owners before they use the power tool.

This manual should be stored in safe place.

INSTRUCTIONS DE SECURITE ET MODE D'EMPLOI

AVERTISSEMENT

Une utilisation **INCORRECTE OU DANGEREUSE** de cet outil motorisé peut entraîner la mort ou de sérieuses blessures corporelles !

Ce mode d'emploi contient d'importantes informations à propos de la sécurité de ce produit. Prière de lire et de comprendre ce mode d'emploi **AVANT** d'utiliser l'outil motorisé. Garder ce mode d'emploi à la disponibilité des autres utilisateurs et propriétaires avant qu'ils utilisent l'outil motorisé.

Ce mode d'emploi doit être conservé dans un endroit sûr.

INSTRUCCIONES DE SEGURIDAD Y MANUAL DE INSTRUCCIONES

ADVERTENCIA

¡La utilización **INAPROPIADA O PELIGROSA** de esta herramienta eléctrica puede resultar en lesiones de gravedad o la muerte!

Este manual contiene información importante sobre la seguridad del producto. Lea y comprenda este manual **ANTES** de utilizar la herramienta eléctrica. Guarde este manual para que puedan leerlo otras personas antes de utilizar la herramienta eléctrica.

Este manual debe ser guardado en un lugar seguro.



DOUBLE INSULATION
DOUBLE ISOLATION
AISLAMIENTO DOBLE

Hitachi Koki

CONTENTS

English	Page		Page
IMPORTANT SAFETY INSTRUCTIONS	3	ASSEMBLY AND OPERATION	8
MEANINGS OF SIGNAL WORDS	3	APPLICATIONS	8
SAFETY	3	PRIOR TO OPERATION	8
GENERAL POWER TOOL SAFETY		GRINDER OPERATION	9
WARNINGS	3	MAINTENANCE AND INSPECTION	10
SPECIFIC SAFETY RULES AND SYMBOLS	4	ACCESSORIES	11
DOUBLE INSULATION FOR SAFER		STANDARD ACCESSORIES	11
OPERATION	5	OPTIONAL ACCESSORIES	11
FUNCTIONAL DESCRIPTION	7	PARTS LIST	30
NAME OF PARTS	7		
SPECIFICATIONS	7		

TABLE DES MATIERES

Français	Page		Page
CONSIGNES DE SÉCURITÉ IMPORTANTES	12	ASSEMBLAGE ET FONCTIONNEMENT	17
SIGNIFICATION DES MOTS		APPLICATIONS	17
D'AVERTISSEMENT	12	AVANT L'UTILISATION	17
SECURITE	12	FONCTIONNEMENT DE LA	
AVERTISSEMENTS DE SÉCURITÉ GÉNÉRAUX		MEULEUSE	18
CONCERNANT LES OUTILS ÉLECTRIQUES ...	12	ENTRETIEN ET INSPECTION	19
REGLES DE SECURITE SPECIFIQUES ET SYMBOLES ...	14	ACCESSOIRES	20
DOUBLE ISOLATION POUR UN		ACCESSOIRES STANDARD	20
FONCTIONNEMENT PLUS SUR	15	ACCESSOIRES SUR OPTION	20
DESCRIPTION FONCTIONNELLE	16	LISTA DES PIÈCES	30
NOM DES PARTIES	16		
SPECIFICATIONS	16		

ÍNDICE

Español	Página		Página
INSTRUCCIONES IMPORTANTES		MONTAJE Y OPERACIÓN	26
SOBRE SEGURIDAD	21	APLICACIONES	26
SIGNIFICADO DE LAS PALABRAS DE		ANTES DE LA OPERACIÓN	26
SEÑALIZACIÓN	21	OPERACIÓN DE LA AMOLADORA ..	27
SEGURIDAD	21	MANTENIMIENTO E INSPECCIÓN	28
ADVERTENCIAS DE SEGURIDAD GENERAL		ACCESORIOS	29
DE LA HERRAMIENTA ELÉCTRICA	21	ACCESORIOS ESTÁNDAR	29
NORMAS Y SÍMBOLOS ESPECÍFICOS DE SEGURIDAD ...	23	ACCESORIOS OPCIONALES	29
AISLAMIENTO DOBLE PARA OFRECER UNA		LISTA DE PIEZAS	30
OPERACIÓN MÁS SEGURA	24		
DESCRIPCIÓN FUNCIONAL	25		
NOMENCLATURA	25		
ESPECIFICACIONES	25		

IMPORTANT SAFETY INSTRUCTIONS

Read and understand all of the safety precautions, warnings and operating instructions in the Instruction Manual before operating or maintaining this power tool.

Most accidents that result from power tool operation and maintenance are caused by the failure to observe basic safety rules or precautions. An accident can often be avoided by recognizing a potentially hazardous situation before it occurs, and by observing appropriate safety procedures.

Basic safety precautions are outlined in the "SAFETY" section of this Instruction Manual and in the sections which contain the operation and maintenance instructions.

Hazards that must be avoided to prevent bodily injury or machine damage are identified by WARNINGS on the power tool and in this Instruction Manual.

NEVER use this power tool in a manner that has not been specifically recommended by HITACHI.

MEANINGS OF SIGNAL WORDS

WARNING indicates a potentially hazardous situations which, if ignored, could result in death or serious injury.

CAUTION indicates a potentially hazardous situations which, if not avoided, may result in minor or moderate injury, or may cause machine damage.

NOTE emphasizes essential information.

SAFETY

GENERAL POWER TOOL SAFETY WARNINGS

⚠ WARNING:

Read all safety warnings and instructions.

Failure to follow the warnings and instructions may result in electric shock, fire and/or serious injury.

Save all warnings and instructions for future reference.

The term "power tool" in the warnings refers to your mains-operated (corded) power tool or battery-operated (cordless) power tool.

- 1) **Work area safety**
 - a) **Keep work area clean and well lit.**
Cluttered or dark areas invite accidents.
 - b) **Do not operate power tools in explosive atmospheres, such as in the presence of flammable liquids, gases or dust.**
Power tools create sparks which may ignite the dust of fumes.
 - c) **Keep children and bystanders away while operating a power tool.**
Distractions can cause you to lose control.
- 2) **Electrical safety**
 - a) **Power tool plugs must match the outlet. Never modify the plug in any way. Do not use any adapter plugs with earthed (grounded) power tools.**
Unmodified plugs and matching outlets will reduce risk of electric shock.
 - b) **Avoid body contact with earthed or grounded surfaces such as pipes, radiators, ranges and refrigerators.**
There is an increased risk of electric shock if your body is earthed or grounded.
- 3) **Personal safety**
 - a) **Stay alert, watch what you are doing and use common sense when operating a power tool. Do not use a power tool while you are tired or under the influence of drugs, alcohol or medication.**
 - b) **Do not expose power tools to rain or wet conditions.**
Water entering a power tool will increase the risk of electric shock.
 - d) **Do not abuse the cord. Never use the cord for carrying, pulling or unplugging the power tool. Keep cord away from heat, oil, sharp edges or moving parts.**
Damaged or entangled cords increase the risk of electric shock.
 - e) **When operating a power tool outdoors, use an extension cord suitable for outdoor use.**
Use of a cord suitable for outdoor use reduces the risk of electric shock.
 - f) **If operating a power tool in a damp location is unavoidable, use a residual current device (RCD) protected supply.**
Use of an RCD reduces the risk of electric shock.

A moment of inattention while operating power tools may result in serious personal injury.

- b) **Use personal protective equipment. Always wear eye protection.**

Protective equipment such as dust mask, non-skid safety shoes, hard hat, or hearing protection used for appropriate conditions will reduce personal injuries.

- c) **Prevent unintentional starting. Ensure the switch is in the off-position before connecting to power source and/or battery pack, picking up or carrying the tool.**

Carrying power tools with your finger on the switch or energising power tools that have the switch on invites accidents.

- d) **Remove any adjusting key or wrench before turning the power tool on.**

A wrench or a key left attached to a rotating part of the power tool may result in personal injury.

- e) **Do not overreach. Keep proper footing and balance at all times.**

This enables better control of the power tool in unexpected situations.

- f) **Dress properly. Do not wear loose clothing or jewellery. Keep your hair, clothing and gloves away from moving parts.**

Loose clothes, jewellery or long hair can be caught in moving parts.

- g) **If devices are provided for the connection of dust extraction and collection facilities, ensure these are connected and properly used.**

Use of dust collection can reduce dust-related hazards.

- 4) **Power tool use and care**

- a) **Do not force the power tool. Use the correct power tool for your application.**

The correct power tool will do the job better and safer at the rate for which it was designed.

- b) **Do not use the power tool if the switch does not turn it on and off.**

Any power tool that cannot be controlled with the switch is dangerous and must be repaired.

- c) **Disconnect the plug from the power source and/or the battery pack from the power tool before making any adjustments, changing accessories, or storing power tools.**

Such preventive safety measures reduce the risk of starting the power tool accidentally.

- d) **Store idle power tools out of the reach of children and do not allow persons unfamiliar with the power tool or these instructions to operate the power tool.**

Power tools are dangerous in the hands of untrained users.

- e) **Maintain power tools. Check for misalignment or binding of moving parts, breakage of parts and any other condition that may affect the power tools' operation.**

If damaged, have the power tool repaired before use.

Many accidents are caused by poorly maintained power tools.

- f) **Keep cutting tools sharp and clean.**

Properly maintained cutting tools with sharp cutting edges are less likely to bind and are easier to control.

- g) **Use the power tool, accessories and tool bits etc. in accordance with these instructions, taking into account the working conditions and the work to be performed.**

Use of the power tool for operations different from those intended could result in a hazardous situation.

- 5) **Service**

- a) **Have your power tool serviced by a qualified repair person using only identical replacement parts.**

This will ensure that the safety of the power tool is maintained.

SPECIFIC SAFETY RULES AND SYMBOLS

1. **Accessories must be rated for at least the speed recommended on the tool warning label.** Wheels and other accessories running over rated speed can fly apart and cause injury.
2. **Hold tools by insulated gripping surfaces when performing an operation where the cutting tool may contact hidden wiring or its own cord.** Contact with a "live" wire will make exposed metal parts of the tool "live" and shock the operator.
3. **ALWAYS wear ear protectors when using the tool for extended periods.**

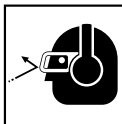


Prolonged exposure to high intensity noise can cause hearing loss.

4. **NEVER touch moving parts.** NEVER place your hands, fingers or other body parts near the tool's moving parts.
5. **NEVER operate without all guards in place.** NEVER operate this tool without all guards or safety features in place and in proper working order. If maintenance or servicing requires the removal of a guard or safety feature, be sure to replace the guard or safety feature before resuming operation of the tool.
6. **Use right tool.** Don't force small tool or attachment to do the job of a heavy-duty tool. Don't use tool for purpose not intended —for example— don't use circular saw for cutting tree limbs or logs.

7. **NEVER use a power tool for applications other than those specified.**
NEVER use a power tool for applications other than those specified in the Instruction Manual.
8. **Handle tool correctly.**
Operate the tool according to the instructions provided herein. Do not drop or throw the tool. NEVER allow the tool to be operated by children, individuals unfamiliar with its operation or unauthorized personnel.
9. **Keep all screws, bolts and covers tightly in place.**
Keep all screws, bolts, and plates tightly mounted. Check their condition periodically.
10. **Do not use power tools if the plastic housing or handle is cracked.**
Cracks in the tool's housing or handle can lead to electric shock. Such tools should not be used until repaired.
11. **Blades and accessories must be securely mounted to the tool.**
Prevent potential injuries to yourself or others. Blades, cutting implements and accessories which have been mounted to the tool should be secure and tight.
12. **Keep motor air vent clean.**
The tool's motor air vent must be kept clean so that air can freely flow at all times. Check for dust build-up frequently.
13. **Operate power tools at the rated voltage.**
Operate the power tool at voltages specified on its nameplate.
If using the power tool at a higher voltage than the rated voltage, it will result in abnormally fast motor revolution and may damage the unit and the motor may burn out.
14. **NEVER use a tool which is defective or operating abnormally.**
If the tool appears to be operating unusually, making strange noises, or otherwise appears defective, stop using it immediately and arrange for repairs by a Hitachi authorized service center.
15. **NEVER leave tool running unattended. Turn power off.**
Don't leave tool until it comes to a complete stop.
16. **Carefully handle power tools.**
Should a power tool be dropped or struck against hard materials inadvertently, it may be deformed, cracked, or damaged.
17. **Do not wipe plastic parts with solvent.**
Solvents such as gasoline, thinner benzine, carbon tetrachloride, and alcohol may damage and crack plastic parts. Do not wipe them with such solvents. Wipe plastic parts with a soft cloth lightly dampened with soapy water and dry thoroughly.

18. **ALWAYS** wear eye protection that meets the requirement of the latest revision of ANSI Standard Z87.1.



19. **ALWAYS** be careful with buried object such as an underground wiring.
Touching live wiring or electric cable with this tool may result in electric shock.
Confirm before use whether hidden objects are present, such as electric cables within the wall, floor or ceiling.
20. **Definitions for symbols used on this tool**
 V volts
 Hz hertz
 A amperes
 n_o no load speed
 W watt
 □ Class II Construction
 ---/min revolutions per minute
 ~ Alternating current

DOUBLE INSULATION FOR SAFER OPERATION

To ensure safer operation of this power tool, HITACHI has adopted a double insulation design. "Double insulation" means that two physically separated insulation systems have been used to insulate the electrically conductive materials connected to the power supply from the outer frame handled by the operator. Therefore, either the symbol "□" or the words "Double insulation" appear on the power tool or on the nameplate. Although this system has no external grounding, you must still follow the normal electrical safety precautions given in this Instruction Manual, including not using the power tool in wet environments.

To keep the double insulation system effective, follow these precautions:

- Only HITACHI AUTHORIZED SERVICE CENTER should disassemble or assemble this power tool, and only genuine HITACHI replacement parts should be installed.
- Clean the exterior of the power tool only with a soft cloth moistened with soapy water, and dry thoroughly.
Never use solvents, gasoline or thinners on plastic components; otherwise the plastic may dissolve.

**SAVE THESE INSTRUCTIONS
AND
MAKE THEM AVAILABLE TO OTHER USERS
AND
OWNERS OF THIS TOOL!**

FUNCTIONAL DESCRIPTION

NOTE:

The information contained in this Instruction Manual is designed to assist you in the safe operation and maintenance of the power tool.

NEVER operate, or attempt any maintenance on the tool unless you have first read and understood all safety instructions contained in this manual.

Some illustrations in this Instruction Manual may show details or attachments that differ from those on your own power tool.

NAME OF PARTS

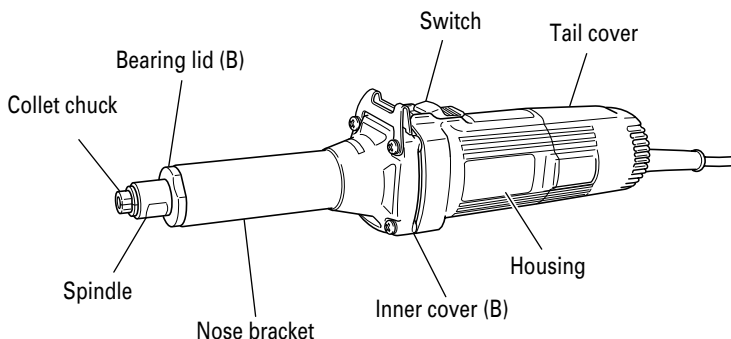


Fig. 1

SPECIFICATIONS

Motor	Single-Phase, Series Commutator Motor
Power Source	Single-Phase, 120 V AC 60 Hz
Current	4.7 A
No-Load Speed	29,000 / min
Max. Wheel Diam.	1" (25 mm)
Collet Chuck Capacity	1/4" (6.35 mm)
Weight (without cord)	3.7 lbs (1.7 kg)

⚠ WARNING:

NEVER use an abrasive wheel, cutting wheel, or any wheel greater than 1" in diameter. Using such wheels can result in wheel breakage, and will otherwise increase the risk of bodily injury from contact with the wheel or wheel fragments.

ASSEMBLY AND OPERATION

APPLICATIONS

- Finishing of dies for press working, die casting and moulding.
- Finishing of thread cutting dies, tools and other small parts.
- Internal grinding of tools and machine parts.

⚠ WARNING:
To avoid the risk of serious injury, NEVER use this grinder with abrasive wheels, cut-off wheels and/or saw blades.

PRIOR TO OPERATION

1. Power source
 Ensure that the power source to be utilized conforms to the power source requirements specified on the product nameplate.
2. Power switch
 Ensure that the switch is in the OFF position. If the plug is connected to a receptacle while the switch is in the ON position, the power tool will start operating immediately and can cause serious injury.
3. Extension cord
 When the work area is far away from the power source, use an extension cord of sufficient thickness and rated capacity. The extension cord should be kept as short as practicable.



⚠ WARNING:
Damaged cord must be replaced or repaired.

4. Check the receptacle
 If the receptacle only loosely accepts the plug, the receptacle must be repaired. Contact a licensed electrician to make appropriate repairs. If such a faulty receptacle is used, it may cause overheating, resulting in a serious hazard.
5. Check the work site and surrounding area
 Be sure that the work area has been thoroughly checked and prepared to avoid any unsafe conditions. Review the SAFETY section of this manual.
6. Installing a wheel

⚠ WARNING:
USING A WRONG SIZED WHEEL CAN CAUSE WHEEL BREAKAGE AND RESULTING SERIOUS INJURY.

In order to avoid this hazard, refer to the following illustration to determine the proper dimension(s) of your wheel. Some guidelines:

- (a) Dimension ℓ should always be less than 1/2" (13 mm). Longer lengths can result in excess vibration, wheel breakage, and the chance for serious injury.
- (b) When dimension d is 1/4" (6.35 mm), the diameter of the wheel (dimension D) should be less than 1" (25 mm). NEVER use a longer diameter wheel.
- (c) When dimension d is 1/8" (3.175 mm), the diameter of the wheel (dimension D) should be less than 3/8" (10 mm).
- (d) Dimension L varies according to the dimension D . Dimension L can be longer as dimension D increase. Refer to the following table:

(When $\ell = 1/2''$ (13mm))

d \ D	1/8" (3.175mm)				1/4" (6.35mm)			
	3/16" (5mm)	1/4" (6mm)	5/16" (8mm)	3/8" (10mm)	1/2" (13mm)	5/8" (16mm)	3/4" (20mm)	1" (25mm)
L	1/2" (13mm)	3/4" (20mm)	3/4" (20mm)	3/4" (20mm)	1-1/2" (38mm)	1" (25mm)	1" (25mm)	3/4" (20mm)

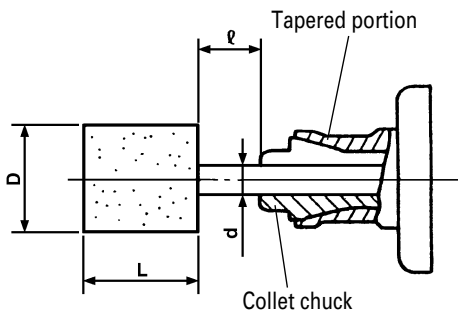


Fig. 2

Wheels can be simply attached and detached by using two wrenches. (Fig. 3)

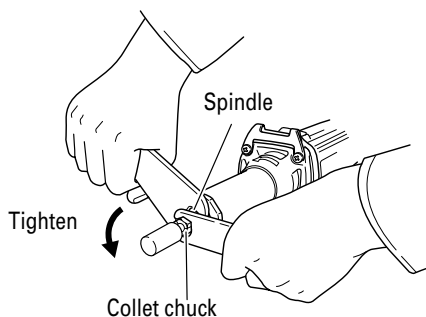


Fig. 3

NOTE:

- Do not tighten the collet chuck by inserting a shaft thinner than the regular shaft diameter (1/4" (6.35mm)) in the chuck or in an empty condition. This practice will damage the collet chuck.
 - When installing a wheel with shaft, tighten the collet chuck after applying a small quantity of spindle oil (or sewing machine oil) to the tapered portion indicated in Fig. 2.
7. Using the side handle (Fig. 4)
Be sure to use the side handle to avoid the risk of severe electrical shock.
Attach the side handle to the machine as follows.
- (1) Loosen the side handle grip and insert the side handle to the nose bracket part of the machine from the flange part of the side handle sleeve.
 - (2) Set the side handle to a position that is suited to the operation and then securely tighten the side handle grip.

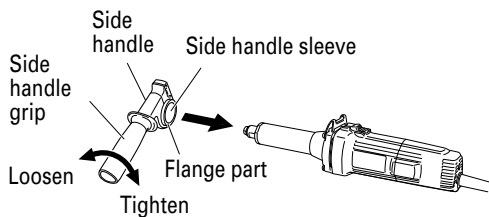


Fig. 4

GRINDER OPERATION

1. Switching operation (Fig. 5)

- (1) When throwing the switch lever to the ON side, power is applied; when throwing it to the OFF side, power is switched off.

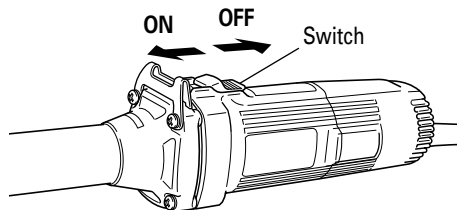


Fig. 5

- (2) After installing a new wheel, "test" the condition of the wheel by allowing the grinder to operate for 180 seconds while the wheel is pointed away from you. Keep your hands and body away from the wheel at all times.
- ##### 2. Precautions on operation
- (1) Lightly press the wheel to the material to be ground when grinding materials, high-speed revolution is necessary. Use a hand grinder with high-speed revolution, minimizing the pressing force.
 - (2) Dressing the wheel
After attaching a wheel, adjust deflection of the wheel center by using a dresser.
If the wheel center is eccentric, not only precise finishing cannot be achieved but also grinder vibration increases, lowering grinder accuracy and durability.
A clogged or worn wheel will soil the finishing surface or lower grinding efficiency. Occasionally dress the wheel by applying the dresser.

MAINTENANCE AND INSPECTION

⚠ **WARNING:**

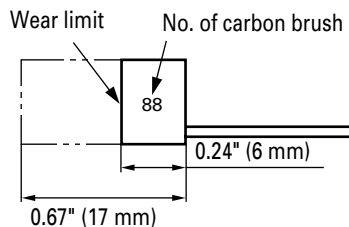
- **Be sure to switch power OFF and disconnect the plug during maintenance and inspection.**
- **Using cracked, deformed or damaged wheels can lead to wheel breakage and resulting serious injury.**

1. Inspecting the wheel
Ensure that the wheel is free of cracks and surface defects.
2. Inspecting the mounting screws
Regularly inspect all mounting screws and ensure that they are properly tightened. Should any of the screws be loose, retighten them immediately.

⚠ **WARNING:**

Using this portable grinder with loosened screws is extremely dangerous.

3. Inspecting the carbon brushes (Fig. 6)
The motor employs carbon brushes which are consumable parts. Replace the carbon brush with a new one when it becomes worn to its wear limit. Always keep carbon brushes clean and ensure that they slide freely within the brush holders.



⚠ **CAUTION**

- **Using this portable grinder with a carbon brush which is worn in excess of the wear limit will damage the motor.**

NOTE:

- Use HITACHI carbon brush No. 88 indicated in Fig. 6.

4. Replacing carbon brushes (Fig. 7):

<Disassembly>

- (1) Loosen the D4 tapping screw retaining the tail cover and remove the tail cover.

- (2) Use the auxiliary hexagonal wrench or small screwdriver to pull up the edge of the spring that is holding down the carbon brush. Remove the edge of the spring toward the outside of the brush holder.
- (3) Remove the end of the pig-tail on the carbon brush from the terminal section of brush holder and then remove the carbon brush from the brush holder.

<Assembly>

- (1) Insert the end of the pi-tail of the carbon brush in the terminal section of brush holder.
- (2) Insert the carbon brush in the brush holder.
- (3) Use the auxiliary hexagonal wrench or small screwdriver to return the edge of the spring to the head of the carbon brush.
- (4) Mount the tail cover and tighten the D4 tapping screw.

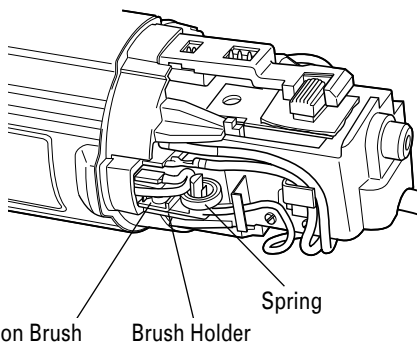


Fig. 7

5. Service and repairs

All quality power tools will eventually require servicing or replacement of parts because of wear from normal use. To assure that only authorized replacement parts will be used, all service and repairs must be performed by a HITACHI AUTHORIZED SERVICE CENTER, ONLY.

6. Service parts list

⚠ **CAUTION**

- **Repair, modification and inspection of Hitachi Power Tools must be carried out by a Hitachi Authorized Service Center.**

- This Parts List will be helpful if presented with the tool to the Hitachi Authorized Service Center when requesting repair or other maintenance. In the operation and maintenance of power tools, the safety regulations and standards prescribed in each country must be observed.

MODIFICATIONS:

Hitachi Power Tools are constantly being improved and modified to incorporate the latest technological advancements.

Accordingly, some parts may be changed without prior notice.

ACCESSORIES

- ⚠ WARNING:** ALWAYS use Only authorized HITACHI replacement parts and accessories. NEVER use replacement parts or accessories which are not intended for use with this tool. Contact HITACHI if you are not sure whether it is safe to use a particular replacement part or accessory with your tool.
The use of any other attachment or accessory can be dangerous and could cause injury or mechanical damage.

NOTE: Accessories are subject to change without any obligation on the part of the HITACHI.

STANDARD ACCESSORIES

- | | | |
|-----|--|---|
| (1) | Wrench (43/64"(17 mm)) (Code No. 936638) | 1 |
| (2) | Wrench (15/32"(12 mm)) (Code No. 936553) | 1 |
| (3) | Side Handle (Code No. 329758) | 1 |

OPTIONAL ACCESSORIES

..... **sold separately**

- Collet chuck (for 1/8"(3.175 mm) shaft)
Dimensions and handling methods other than the shaft hole are the same as those for the 1/4"(6 mm) collet chuck.
- Case

NOTE:

- Specifications are subject to change without any obligation on the part of the HITACHI.

CONSIGNES DE SÉCURITÉ IMPORTANTES

Lire et comprendre toutes les précautions de sécurité, les avertissements et les instructions de fonctionnement dans ce mode d'emploi avant d'utiliser ou d'entretenir cet outil motorisé.

La plupart des accidents causés lors de l'utilisation ou de l'entretien de l'outil motorisé proviennent d'un non respect des règles ou précautions de base de sécurité. Un accident peut la plupart du temps être évité si l'on reconnaît une situation de danger potentiel avant qu'elle ne se produise, et en observant les procédures de sécurité appropriées.

Les précautions de base de sécurité sont mises en évidence dans la section "SECURITE" de ce mode d'emploi et dans les sections qui contiennent les instructions de fonctionnement et d'entretien.

Les dangers qui doivent être évités pour prévenir des blessures corporelles ou un endommagement de la machine sont identifiés par AVERTISSEMENTS sur l'outil motorisé et dans ce mode d'emploi.

NE JAMAIS utiliser cet outil motorisé d'une manière qui n'est pas spécifiquement recommandée par HITACHI.

SIGNIFICATION DES MOTS D'AVERTISSEMENT

AVERTISSEMENT indique des situations potentiellement dangereuses qui, si elles sont ignorées, pourraient entraîner la mort ou de sérieuses blessures.

PRECAUTION indique des situations dangereuses potentielles qui, si elles ne sont pas évitées, peuvent entraîner de mineures et légères blessures ou endommager la machine.

REMARQUE met en relief des informations essentielles.

SECURITE

AVERTISSEMENTS DE SÉCURITÉ GÉNÉRAUX CONCERNANT LES OUTILS ÉLECTRIQUES

⚠ AVERTISSEMENT :

Lire tous les avertissements de sécurité et les instructions

Tout manquement à observer ces avertissements et instructions peut engendrer des chocs électriques, des incendies et/ou des blessures graves.

Conservez tous les avertissements et toutes les instructions pour vous y référer ultérieurement.

Le terme "outil électrique", utilisé dans les avertissements, se réfère aux outils électriques (câblé) ou aux outils à piles (sans fil).

1) Sécurité de l'aire de travail

a) **Maintenir l'aire de travail propre et bien éclairée.**

Les endroits encombrés ou sombres sont propices aux accidents.

b) **Ne pas utiliser d'outils électriques en présence de liquides, gaz ou poussière inflammables, au risque de provoquer une explosion.**

Les outils électriques créent des étincelles susceptibles d'enflammer la poussière.

c) **Ne pas laisser les enfants et les visiteurs s'approcher de vous lorsque vous utiliser un outil électrique.**

Les distractions peuvent faire perdre le contrôle.

2) Sécurité électrique

a) **Les prises de l'outil électrique doivent correspondre à la prise secteur.**

Ne jamais modifier la prise.

Ne pas utiliser d'adaptateurs avec les outils électriques mis à la masse.

Les prises non modifiées et les prises secteurs correspondantes réduisent les risques de choc électrique.

b) **Éviter tout contact avec les surfaces mises à la masse telles que les tuyaux, radiateurs, bandes et réfrigérateurs.**

Le risque de choc électrique est accru en cas de mise à la masse du corps.

c) **Ne pas exposer les outils électriques à la pluie ou à des conditions humides.**

Si l'eau pénètre dans l'outil, cela augmente les risques de choc électrique.

d) **Ne pas utiliser le cordon à tort. Ne jamais utiliser le cordon pour transporter ou débrancher l'outil électrique.**

Maintenir le cordon loin de la chaleur, de l'huile, des bords pointus ou des pièces mobiles.

Les cordons endommagés ou usés augmentent les risques de choc électrique.

- e) **En cas d'utilisation d'un outil électrique à l'extérieur, utiliser un cordon de rallonge adapté à un usage extérieur.**
L'utilisation d'un cordon adapté à l'usage extérieur réduit les risques de choc électrique.
- f) **Si vous devez utiliser un outil électrique dans un endroit humide, utilisez une alimentation protégée contre les courants résiduels.**
L'utilisation d'un dispositif de protection contre les courants résiduels réduit le risque de choc électrique.
- 3) **Sécurité personnelle**
- a) **Restez alerte, regarder ce que vous faites et usez de votre bon sens en utilisant un outil électrique.**
Ne pas utiliser d'outil électrique si vous êtes sous l'influence de drogues, d'alcool ou de médicaments.
Pendant l'utilisation d'outils électrique, un instant d'inattention peut entraîner des blessures graves.
- b) **Utiliser un équipement de protection individuelle. Toujours porter des verres de protection.**
L'utilisation d'équipements de protection tels que les masques anti-poussière, les chaussures de sécurité anti-dérapantes, les casques ou les protections auditives dans des conditions appropriées réduisent les risques de blessures.
- c) **Empêcher les démarrages intempestifs. Veiller à ce que l'interrupteur soit en position d'arrêt avant de brancher à une source d'alimentation et/ou une batterie, de ramasser l'outil au sol ou de le transporter.**
Transporter les outils électriques avec le doigt sur l'interrupteur ou brancher les outils électriques avec l'interrupteur en position de marche peut entraîner des accidents.
- d) **Retirer toute clé de sécurité ou clé avant de mettre l'outil électrique en marche.**
Laisser une clé ou une clé de sécurité sur une partie mobile de l'outil électrique peut engendrer des blessures.
- e) **Ne pas trop se pencher. Toujours garder une bonne assise et un bon équilibre pendant le travail.**
Cela permet un meilleur contrôle de l'outil électrique dans des situations imprévisibles.
- f) **Porter des vêtements adéquats. Ne pas porter de vêtements amples ni de bijoux. Maintenir les cheveux, les vêtements et les gants loin des pièces mobiles.**
Les vêtements amples ou les cheveux longs peuvent se prendre dans les pièces mobiles.
- g) **En cas de dispositifs destinés au raccordement d'installations d'extraction et de recueil de la poussière, veiller à ce qu'ils soient correctement raccordés et utilisés.**
- L'utilisation d'un dispositif de collecte de la poussière peut réduire les dangers associés à la poussière.
- 4) **Utilisation et entretien d'un outil électrique**
- a) **Ne pas forcer sur l'outil électrique. Utiliser l'outil électrique adapté à vos travaux.**
Le bon outil électrique fera le travail mieux et en toute sécurité au régime pour lequel il a été conçu.
- b) **Ne pas utiliser l'outil électrique si l'interrupteur ne le met pas en position de marche et d'arrêt.**
Tout outil ne pouvant être contrôlé par l'interrupteur est dangereux et doit être réparé.
- c) **Débrancher la prise ou retirer la batterie avant de procéder à des réglages, au remplacement des accessoires ou au stockage des outils électriques.**
Ces mesures préventives de sécurité réduisent les risques de démarrage accidentel de l'outil électrique.
- d) **Stockez les outils électriques inutilisés hors de la portée des enfants et ne pas laisser des personnes non familiarisées avec l'outil ou ces instructions utiliser l'outil électrique.**
Les outils électriques sont dangereux entre les mains d'utilisateurs non habilités.
- e) **Entretien des outils électriques. Vérifier l'absence de mauvais alignement ou d'arrêt, d'endommagement de pièces ou toute autre condition susceptible d'affecter l'opération de l'outil.**
Si l'outil est endommagé, le faire réparer avant utilisation.
De nombreux accidents sont dus à des outils mal entretenus.
- f) **Maintenir les outils coupants aiguisés et propres.**
Des outils coupants bien entretenus avec des bords aiguisés sont moins susceptibles de se coincer et plus simples à contrôler.
- g) **Utiliser l'outil électrique, les accessoires et les mèches de l'outil, etc. conformément à ces instructions en tenant compte des conditions d'utilisation et du travail à réaliser.**
L'utilisation de l'outil électrique pour des opérations différentes de celles pour lesquelles il a été conçu est dangereuse.
- 5) **Service**
- a) **Faire entretenir l'outil électrique par un technicien habilité à l'aide de pièces de rechange identiques exclusivement.**
Cela garantira le maintien de la sécurité de l'outil électrique.

REGLES DE SECURITE SPECIFIQUES ET SYMBOLES

1. **Les accessoires doivent correspondre au moins à la vitesse recommandée sur l'autocollant d'avertissement de l'outil.** Les lames et les autres accessoires qui tournent à une vitesse supérieure peuvent se détacher et entraîner des blessures corporelles.
2. **Tenir les outils par les surfaces de grippage lors de la réalisation d'opération où l'outil de coupe risque d'entrer en contact avec des câbles cachés ou son propre cordon.** Un contact avec un fil "sous tension" mettra les parties métalliques de l'outil "sous tension" et électrocutera l'utilisateur.
3. **TOUJOURS porter des protections d'oreille lors de l'utilisation de l'outil pendant de longues périodes.**

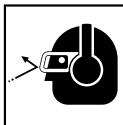


Une exposition prolongée à un son de forte intensité peut endommager l'ouïe de l'utilisateur.

4. **NE JAMAIS toucher les parties mobiles.**
NE JAMAIS placer ses mains, ses doigts ou toute autre partie de son corps près des parties mobiles de l'outil.
5. **NE JAMAIS utiliser l'outil sans que tous les dispositifs de sécurité ne soient en place.**
NE JAMAIS faire fonctionner cet outil sans que tous les dispositifs et caractéristiques de sécurité ne soient en place et en état de fonctionnement. Si un entretien ou une réparation nécessite le retrait d'un dispositif ou d'une caractéristique de sécurité, s'assurer de bien remettre en place le dispositif ou la caractéristique de sécurité avant de recommencer à utiliser l'outil.
6. **Utiliser l'outil correct.**
Ne pas forcer sur un petit outil ou accessoire pour faire le travail d'un outil de grande puissance. Ne pas utiliser un outil pour un usage pour lequel il n'a pas été prévu: par exemple, ne pas utiliser une scie circulaire pour couper des branches d'arbre ou des bûches.
7. **NE JAMAIS utiliser un outil motorisé pour des applications autres que celles spécifiées.**
NE JAMAIS utiliser un outil motorisé pour des applications autres que celles spécifiées dans le mode d'emploi.
8. **Manipuler l'outil correctement.**
Utiliser l'outil de la façon indiquée dans ce mode d'emploi. Ne pas laisser tomber ou lancer l'outil. **NE JAMAIS** permettre que l'outil soit utilisé par des enfants, des personnes non familiarisées avec son fonctionnement ou un personnel non autorisé.
9. **Maintenir toutes les vis, tous les boulons et les couvercles fermement en place.**

Maintenir toutes les vis, tous les boulons et les couvercles fermement montés. Vérifier leurs conditions périodiquement.


10. **Ne pas utiliser les outils motorisés si le revêtement de plastique ou la poignée est fendu.**
Des fentes dans le revêtement ou la poignée peuvent entraîner une électrocution. De tels outils ne doivent pas être utilisés avant d'être réparés.
11. **Les lames et les accessoires doivent être fermement montés sur l'outil.**
Eviter les blessures potentielles personnelles et aux autres. Les lames, les instruments de coupe et les accessoires qui ont été montés sur l'outil doivent être fixés et serrés fermement.
12. **Garder propres les événements d'air du moteur.**
Les événements d'air du moteur doivent être maintenus propres de façon que l'air puisse circuler librement tout le temps. Vérifier les accumulations de poussière fréquemment.
13. **Utiliser l'outil motorisé à la tension nominale.**
Utiliser l'outil motorisé à la tension spécifiée sur sa plaque signalétique.
Si l'on utilise l'outil motorisé avec une tension supérieure à la tension nominale, il en résultera une rotation anormalement trop rapide du moteur et cela risque d'endommager l'outil et le moteur risque de griller.
14. **NE JAMAIS utiliser un outil défectueux ou qui fonctionne anormalement.**
Si l'outil n'a pas l'air de fonctionner normalement, fait des bruits étranges ou sans cela paraît défectueux, arrêter de l'utiliser immédiatement et le faire réparer par un centre de service Hitachi autorisé.
15. **NE JAMAIS laisser fonctionner l'outil sans surveillance. Le mettre hors tension.**
Ne pas abandonner l'outil avant qu'il ne soit complètement arrêté.
16. **Manipuler l'outil motorisé avec précaution.**
Si un outil motorisé tombe ou frappe un matériau dur accidentellement, il risque d'être déformé, fendu ou endommagé.
17. **Ne pas essuyer les parties en plastique avec du solvant.**
Les solvants comme l'essence, les diluants, la benzine, le tétrachlorure de carbone et l'alcool peuvent endommager et fissurer les parties en plastique. Ne pas les essuyer avec de tels solvants. Essuyer les parties en plastique avec un chiffon doux légèrement imbibé d'une solution d'eau savonneuse et sécher minutieusement.
18. **TOUJOURS** porter des lunettes de protection qui respectent les dernières révisions du Standard ANSI Z87.1.



19. TOUJOURS vérifier s'il y a des objets encastrés, par exemple des fils électriques. Le fait de toucher avec l'outil un fil ou un câble électrique sous tension risque de provoquer une décharge électrique.

Avant l'utilisation, vérifier s'il y a des objets dissimulés, par exemple des câbles électriques, dans le mur, le plancher ou le plafond.

20. Définitions pour les symboles utilisés sur cet outil


- V volts
- Hz hertz
- A ampères
- n_0 vitesse sans charge
- W watt
-  Construction de classe II
- /min tours par minute
- \sim Courant alternatif

Bien que ce système n'ait pas de mise à terre extérieure, il est quand même nécessaire de suivre les précautions de sécurité électrique données dans ce mode d'emploi, y-compris de ne pas utiliser l'outil motorisé dans un environnement humide.

Pour garder le système de double isolation effectif, suivre ces précautions:

- Seuls les CENTRES DE SERVICE AUTORISES HITACHI peuvent démonter et remonter cet outil motorisé et uniquement des pièces de rechange HITACHI garanties d'origine doivent être utilisées.
- Nettoyer l'extérieur de l'outil motorisé uniquement avec un chiffon doux légèrement imbibé d'une solution savonneuse et essuyer minutieusement. Ne jamais utiliser des solvants, de l'essence ou des diluants sur les parties en plastique; sinon le plastique risquerait de se dissoudre.

DOUBLE ISOLATION POUR UN FONCTIONNEMENT PLUS SUR

Pour assurer un fonctionnement plus sûr de cet outil motorisé, HITACHI a adopté une conception à double isolation. "Double isolation" signifie que deux systèmes d'isolation physiquement séparés ont été utilisés pour isoler les matériaux conducteurs d'électricité connectés à l'outil motorisé à partir du cadre extérieur manipulé par l'utilisateur. C'est pourquoi, le symbole "" ou les mots "Double insulation" (double isolation) apparaissent sur l'outil motorisé ou sur la plaque signalétique.

**CONSERVER CES INSTRUCTIONS
ET
LES METTRE A LA DISPOSITION DES AUTRES UTILISATEURS
ET
PROPRIETAIRES DE CET OUTIL!**

DESCRIPTION FONCTIONNELLE

REMARQUE:

Les informations contenues dans ce mode d'emploi sont conçues pour assister l'utilisateur dans une utilisation sans danger et un entretien de l'outil motorisé.

NE JAMAIS utiliser ni entreprendre une révision de l'outil sans avoir d'abord lu et compris toutes les instructions de sécurité contenues dans ce manuel.

Certaines illustrations dans ce mode d'emploi peuvent montrer des détails ou des accessoires différents de ceux de l'outil motorisé utilisé.

NOM DES PARTIES

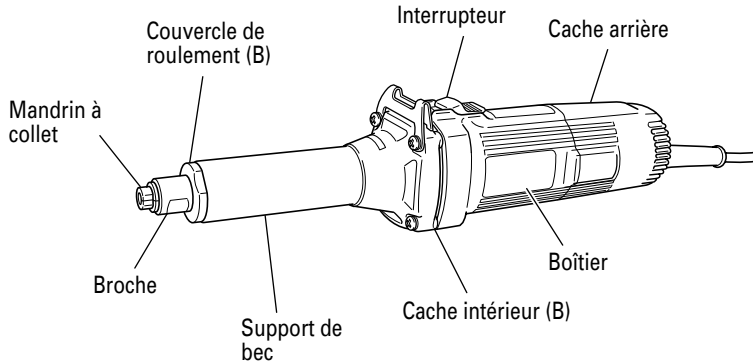


Fig. 1

SPECIFICATIONS

Moteur	Moteur série monophasé à collecteur
Source d'alimentation	Secteur, 120 V 60 Hz, monophasé
Courant	4.7 A
Vitesse sans charge	29,000 / min
Diamètre maximum de la meule	1" (25 mm)
Capacité du mandrin à collet	1/4" (6.35 mm)
Poids (sans fil)	3.7 lbs (1.7 kg)



AVERTISSEMENT :

NE JAMAIS utiliser de meule abrasive, de meule de coupe ni aucune autre meule d'un diamètre supérieur à 1". L'utilisation de meules de ce genre risque d'entraîner une rupture de la meule, et accroîtra le risque de blessures corporelles par contact avec la meule ou ses fragments.

ASSEMBLAGE ET FONCTIONNEMENT

APPLICATIONS

- Finition des coussinets de filière pour les travaux de presse, les pièces moulées sous pression et le moulage.
- Finition des matrices à découper le filetage, les outils et les autres petites pièces.
- Meulage interne de outils et des pièces de machine.

⚠ AVERTISSEMENT :
Pour éviter tout risque de blessures graves, NE JAMAIS utiliser cette meuleuse avec des meules abrasives, des meules à tronçonner et/ou des lames de scie.

AVANT L'UTILISATION

1. Source d'alimentation
 S'assurer que la source d'alimentation qui doit être utilisée est conforme à la source d'alimentation requise spécifiée sur la plaque signalétique du produit.
2. Interrupteur d'alimentation
 S'assurer que l'interrupteur est sur la position OFF (arrêt). Si la fiche est connectée sur une prise alors que l'interrupteur est sur la position ON (marche), l'outil motorisé démarrera immédiatement risquant de causer de sérieuses blessures.
3. Cordon prolongateur
 Quand la zone de travail est éloignée de la source d'alimentation, utiliser un cordon prolongateur d'épaisseur et de capacité nominale suffisante. Le cordon prolongateur doit être aussi court que possible.



⚠ AVERTISSEMENT :
Tout cordon endommagé devra être remplacé ou réparé.

4. Vérifier la prise
 Si la prise reçoit la fiche avec beaucoup de jeu, elle doit être réparée. Contacter un électricien licencié pour réaliser les réparations nécessaires. Si une telle prise défectueuse est utilisée, elle peut causer une surchauffe entraînant des dangers sérieux.
5. Vérifier l'aire de travail et la zone environnante
 Pour éviter tout danger, s'assurer que l'aire de travail a été soigneusement vérifiée et préparée. Passer en revue toute la section SECURITE de ce manuel.
6. Installation d'une meule

⚠ AVERTISSEMENT :
L'UTILISATION D'UNE MEULE DE LA MAUVAISE DIMENSION RISQUE D'ENTRAÎNER UNE RUPTURE DE LA MEULE ET DE PROVOQUER DES BLESSURES GRAVES.

Pour éviter ces risques, se reporter au schéma suivant pour déterminer les dimensions que doit respecter la meule. A titre indicatif:

- (a) La dimensions "ℓ" doit toujours être inférieure à 1/2" (13 mm). Des longueurs supérieures risquent d'entraîner des vibrations excessives, une rupture de la meule, et des blessures graves.
- (b) Si la dimension "d" est égale à 1/4" (6.35 mm), le diamètre de la meule (dimension "D") devra être inférieur à 1" (25 mm). NE JAMAIS utiliser de meule d'un diamètre supérieur.
- (c) Si la dimension "d" est égale à 1/8" (3.175 mm), le diamètre de la meule (dimension "D") devra être inférieur à 3/8" (10 mm).
- (d) La dimension "L" varie en fonction de la dimension "D". La dimension "L" pourra augmenter à mesure que la dimension "D" augmente. Voir le tableau suivant:

(Lorsque ℓ = 1/2" (13mm))

d	1/8" (3.175mm)				1/4" (6.35mm)			
	3/16" (5mm)	1/4" (6mm)	5/16" (8mm)	3/8" (10mm)	1/2" (13mm)	5/8" (16mm)	3/4" (20mm)	1" (25mm)
D	1/2" (13mm)	3/4" (20mm)	3/4" (20mm)	3/4" (20mm)	1-1/2" (38mm)	1" (25mm)	1" (25mm)	3/4" (20mm)

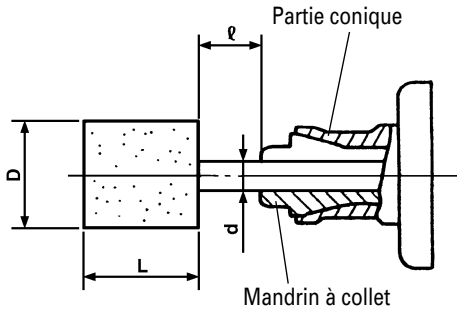


Fig. 2

On peut tout simplement fixer ou retirer les meules en utilisant deux clés. (Fig. 3)

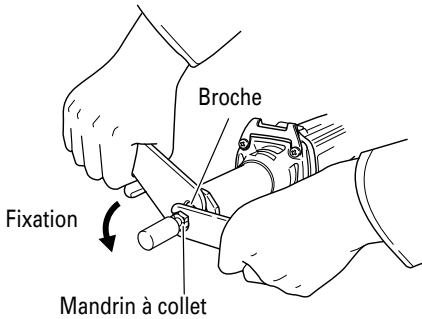


Fig. 3

REMARQUE:

- Ne pas fixer le mandrin à collet en insérant un axe plus mince que le diamètre d'axe normal (1/4" (6.35mm)) dans le mandrin ou en condition de vide. Ceci endommagerait le mandrin à collet.
- Lors de l'installation d'une meule avec l'axe, serrer et fixer le mandrin à collet après avoir appliqué une petite quantité d'huile pour broche (ou de l'huile pour machine à coudre) sur la partie conique indiquée à la Fig. 2.

7. A l'aide de la poignée latérale (Fig. 4) Utilisez toujours la poignée latérale pour éviter les risques de choc électrique. Procédez comme suit pour la fixer à la machine.
 - (1) Desserrez la fixation de la poignée latérale et insérez-la dans la patte d'extrémité de la machine, à partir de la bride du manchon de la poignée latérale.
 - (2) Réglez la poignée latérale dans une position adaptée, puis serrez à fond la fixation.

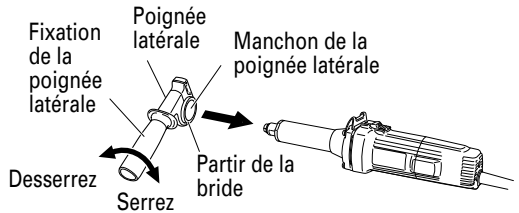


Fig. 4

FONCTIONNEMENT DE LA MEULEUSE

1. Opération de commutation (Fig. 5)
 - (1) Lorsque l'on pousse le levier de l'interrupteur vers le côté ON, l'appareil se met sous tension; lorsqu'on le pousse vers le côté OFF, l'appareil s'éteint.

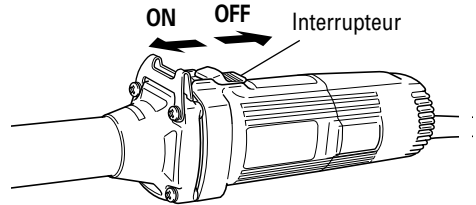


Fig. 5

- (2) Après avoir installé une nouvelle meule, "tester" l'état de la meule en laissant fonctionner la meuleuse pendant 180 secondes, la meule étant dirigée vers l'extérieur. N'approcher à aucun moment les mains ni le corps de la meule.
2. Précautions d'utilisation
 - (1) Presser légèrement la meule sur le matériau devant être affûté. Lors de l'affûtage, une rotation à vitesse élevée est nécessaire. Utiliser une affûtage manuel lors d'une rotation à vitesse élevée, minimisant ainsi la force de pression.
 - (2) Dressage de la meule

Après la fixation d'une meule, corriger la déflexion du centre de la meule à l'aide d'une batte-plate (vendue séparément). Si le centre de la meule est décalé, on ne peut non seulement effectuer la finition mais encore les vibrations du meulage augmentent, diminuant d'autant la durée de la meule et la précision de l'affûtage.

Une meule usée ou piquée corrodera la surface de finition ou diminuera l'efficacité du meulage. Rectifier de temps à autres la meule à l'aide du redresseur.

ENTRETIEN ET INSPECTION

⚠ AVERTISSEMENT :

- S'assurer de mettre l'interrupteur d'alimentation sur la position OFF et de déconnecter la fiche de la prise secteur avant l'entretien et l'inspection de la meuleuse.
- L'utilisation d'une meule fissurée, déformée ou endommagée risque d'entraîner une rupture de la meule et de provoquer des blessures graves.

1. Inspection de la meule
S'assurer que la meule ne comporte aucune fêlure et défaut de surface.
2. Inspection des vis de montage
Inspecter régulièrement toutes les vis de montage et s'assurer qu'elles sont correctement serrées. Si l'une des vis était desserrée, la resserrer immédiatement.

⚠ AVERTISSEMENT :

Utiliser la meuleuse droite avec des vis desserrées est extrêmement dangereux.

3. Contrôle des balais en carbone (Fig. 6)
Le moteur utilise des balais en carbone qui sont des pièces qui s'usent. Remplacer un balai en carbone par un nouveau quand il est usé jusqu'à sa limite d'usure. Toujours garder propres les balais en carbone et s'assurer qu'ils glissent librement à l'intérieur des porte-balais.

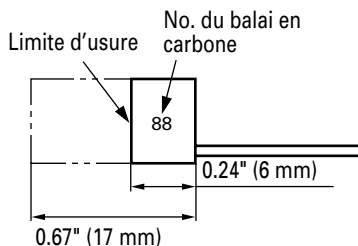


Fig. 6

⚠ PRECAUTION

- Utiliser la meuleuse droite avec un balai en carbone qui est usé au-delà de la limite d'usure endommagera le moteur.

REMARQUE:

- Utiliser le balai en carbone HITACHI No. 88 indiqué sur la Fig. 6.

4. Remplacement d'un balai en carbone (Fig. 7):

<Démontage>

- (1) Desserrer la vis taraudeuse D4 qui retient le couvercle arrière pour l'enlever.
- (2) Utiliser la clé auxiliaire à six pans ou un petit tournevis pour soulever le bord du ressort qui retient le balai en carbone. Retirer le bord du ressort vers l'extérieur du support du balai.
- (3) Enlever le bord du flexible du balai et en carbone de la section du support de balai et retirer le balai en carbone de son support.

<Montage>

- (1) Insérer l'extrémité du flexible du balai en carbone dans la section finale du support du balai.
- (2) Insérer le balai en carbone dans son support.
- (3) Utiliser la clé auxiliaire à six pans ou un petit tournevis pour remettre le bord du ressort contre la tête du balai en carbone.
- (4) Fermer le couvercle arrière et serrer la vis taraudeuse D4.

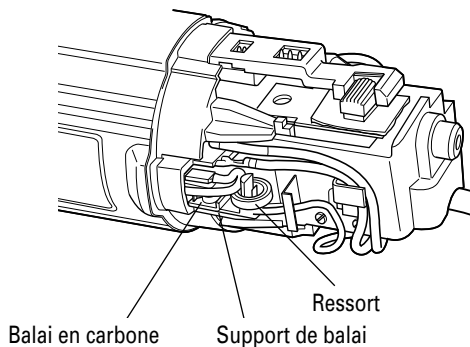


Fig. 7

5. Entretien et réparation

Tous les outils motorisés de qualité auront éventuellement besoin d'une réparation ou du remplacement d'une pièce à cause de l'usure normale de l'outil. Pour assurer que seules des pièces de rechange autorisées seront utilisées, tous les entretiens et les réparations doivent être effectués UNIQUEMENT par un CENTRE DE REPARATION AUTORISE HITACHI.

6. Liste des pièces de rechange

⚠ PRECAUTION

- Les réparations, modifications et inspections des outils électriques Hitachi doivent être confiées à un service après-vente Hitachi agréé.
- Il sera utile de présenter cette liste de pièces au service après-vente Hitachi agréé lorsqu'on apporte un outil nécessitant des réparations ou tout autre entretien.
- Lors de l'utilisation et de l'entretien d'un outil électrique, respecter les règlements et les normes de sécurité en vigueur dans le pays en question.

MODIFICATIONS :

Les outils électriques Hitachi sont constamment améliorés et modifiés afin d'incorporer les tous derniers progrès technologiques.

En conséquence, il est possible que certaines pièces soient modifiées sans avis préalable.

ACCESSOIRES

- ⚠ AVERTISSEMENT :** TOUJOURS utiliser UNIQUEMENT des pièces de rechange et des accessoires HITACHI. NE JAMAIS utiliser de pièce de rechange ou d'accessoires qui ne sont pas prévus pour être utilisés avec cet outil. En cas de doute, contacter HITACHI pour savoir si une pièce de rechange ou un accessoire particulier peuvent être utilisés en toute sécurité avec votre outil. L'utilisation de tout autre attachement ou accessoire peut être dangereux et peut causer des blessures ou des dommages mécaniques.

REMARQUE : Les accessoires sont sujets à changement sans obligation de la part de HITACHI.

ACCESSOIRES STANDARD

- (1) Clé (43/64"(17 mm)) (No. de code 936638) 1
- (2) Clé (15/32"(12 mm)) (No. de code 936553) 1
- (3) Poignée latérale (No. de code 329758) 1

ACCESSOIRES SUR OPTION

..... vendus séparément

- Mandrino à collet (pour axe de 1/8" (3.175 mm))
Les dimensions et les méthodes de manipulation, à l'exception du trou d'axe sont les mêmes que celles du mandrin à collet de 1/4" (6 mm).
- Boîtier

REMARQUE:

- Les spécifications sont sujettes à modification sans aucune obligation de la part de HITACHI.

INSTRUCCIONES IMPORTANTES SOBRE SEGURIDAD

Antes de utilizar o de realizar cualquier trabajo de mantenimiento de esta herramienta eléctrica, lea y comprenda todas las precauciones de seguridad, advertencias e instrucciones de funcionamiento de este Manual de instrucciones.

La mayoría de los accidentes producidos en la operación y el mantenimiento de una herramienta eléctrica se deben a la falta de observación de las normas o precauciones de seguridad. Los accidentes normalmente podrán evitarse reconociendo una situación potencialmente peligrosa a tiempo y siguiendo los procedimientos de seguridad apropiados.

Las precauciones básicas de seguridad se describen en la sección "SEGURIDAD" de este Manual de instrucciones y en las secciones que contienen las instrucciones de operación y mantenimiento.

Para evitar lesiones o el daño de la herramienta eléctrica, los riesgos están identificados con ADVERTENCIAS en dicha herramienta y en este Manual de instrucciones.

No utilice **NUNCA** esta herramienta eléctrica de ninguna forma que no esté específicamente recomendada por HITACHI.

SIGNIFICADO DE LAS PALABRAS DE SEÑALIZACIÓN

ADVERTENCIA indica situaciones potencialmente peligrosas que, si se ignoran, pueden resultar en la muerte o en lesiones de gravedad.

PRECAUCIÓN indica situaciones potencialmente peligrosas que, de no evitarse, pueden resultar en lesiones menores o moderadas, o causar daños en la herramienta eléctrica.

NOTA acentúa información esencial.

SEGURIDAD

ADVERTENCIAS DE SEGURIDAD GENERAL DE LA HERRAMIENTA ELÉCTRICA

⚠ ADVERTENCIA:

Lea todas las instrucciones y advertencias de seguridad.

Si no se siguen las advertencias e instrucciones, podría producirse una descarga eléctrica, un incendio y/o daños graves.

Guarde todas las advertencias e instrucciones para futura referencia.

El término "herramienta eléctrica" en las advertencias hace referencia a la herramienta eléctrica que funciona con la red de suministro (con cable) o a la herramienta eléctrica que funciona con pilas (sin cable).

CONSERVE ESTAS INSTRUCCIONES

- 1) **Seguridad en el área de trabajo**
 - a) **Mantenga la zona de trabajo limpia y bien iluminada.**
Las zonas desordenadas o oscuras pueden provocar accidentes.
 - b) **No utilice las herramientas eléctricas en entornos explosivos como, por ejemplo, en presencia de líquidos inflamables, gases o polvo.**
Las herramientas eléctricas crean chispas que pueden hacer que el polvo desprenda humo.
 - c) **Mantenga a los niños y transeúntes alejados cuando utilice una herramienta eléctrica.**
Las distracciones pueden hacer que pierda el control.
- 2) **Seguridad eléctrica**
 - a) **Los enchufes de las herramientas eléctricas tienen que ser adecuados a la toma de corriente. No modifique el enchufe.**

No utilice enchufes adaptadores con herramientas eléctricas conectadas a tierra.

Si no se modifican los enchufes y se utilizan tomas de corriente adecuadas se reducirá el riesgo de descarga eléctrica.

- b) **Evite el contacto corporal con superficies conectadas a tierra como tuberías, radiadores y frigoríficos.**
Hay mayor riesgo de descarga eléctrica si su cuerpo está en contacto con el suelo.
- c) **No exponga las herramientas eléctricas a la lluvia o a la humedad.**
La entrada de agua en una herramienta eléctrica aumentará el riesgo de descarga eléctrica.
- d) **No utilice el cable incorrectamente. No utilice el cable para transportar, tirar de la herramienta eléctrica o desenchufarla.**
Mantenga el cable alejado del calor, del aceite, de bordes afilados o piezas móviles.

Los cables dañados o enredados aumentan el riesgo de descarga eléctrica.

- e) **Cuando utilice una herramienta eléctrica al aire libre, utilice un cable prolongador adecuado para utilizarse al aire libre.**

La utilización de un cable adecuado para usarse al aire libre reduce el riesgo de descarga eléctrica.

- f) **Si no se puede evitar el uso de una herramienta eléctrica en un lugar húmedo, utilice un suministro protegido mediante un dispositivo de corriente residual (RCD).**

El uso de un RCD reduce el riesgo de descarga eléctrica.

3) Seguridad personal

- a) **Esté atento, preste atención a lo que hace y utilice el sentido común cuando utilice una herramienta eléctrica.**

No utilice una herramienta eléctrica cuando esté cansado o esté bajo la influencia de drogas, alcohol o medicación.

La distracción momentánea cuando utiliza herramientas eléctricas puede dar lugar a importantes daños personales.

- b) **Utilice un equipo de protección. Utilice siempre una protección ocular.**

El equipo de protección como máscara para el polvo, zapatos de seguridad antideslizantes, casco o protección para oídos utilizado para condiciones adecuadas reducirá los daños personales.

- c) **Evite un inicio involuntario. Asegúrese de que el interruptor está en "off" antes de conectar la herramienta a una fuente de alimentación y/o batería, cogerla o transportarla.**

El transporte de herramientas eléctricas con el dedo en el interruptor o el encendido de herramientas eléctricas con el interruptor encendido puede provocar accidentes.

- d) **Retire las llaves de ajuste antes de encender la herramienta eléctrica.**

Si se deja una llave en una pieza giratoria de la herramienta eléctrica podrían producirse daños personales.

- e) **No se extralimite. Mantenga un equilibrio adecuado en todo momento.**

Esto permite un mayor control de la herramienta eléctrica en situaciones inesperadas.

- f) **Vístase adecuadamente. No lleve prendas sueltas o joyas. Mantenga el pelo, la ropa y los guantes alejados de las piezas móviles.**

La ropa suelta, las joyas y el pelo largo pueden pillarse en las piezas móviles.

- g) **Si se proporcionan dispositivos para la conexión de extracción de polvo e instalaciones de recogida, asegúrese de que están conectados y se utilizan adecuadamente.**

La utilización de un sistema de recogida de polvo puede reducir los riesgos relacionados con el polvo.

4) Utilización y mantenimiento de las herramientas eléctricas

- a) **No fuerce la herramienta eléctrica. Utilice la herramienta eléctrica correcta para su aplicación.**

La herramienta eléctrica correcta trabajará mejor y de forma más segura si se utiliza a la velocidad para la que fue diseñada.

- b) **No utilice la herramienta eléctrica si el interruptor no la enciende y apaga.**

Las herramientas eléctricas que no pueden controlarse con el interruptor son peligrosas y deben repararse.

- c) **Antes de hacer ajustes, cambiar accesorios o almacenar las herramientas eléctricas, desconecte el enchufe de la fuente eléctrica y/o las baterías de la herramienta.**

Estas medidas de seguridad preventivas reducen el riesgo de que la herramienta eléctrica se ponga en marcha accidentalmente.

- d) **Guarde las herramientas eléctricas que no se utilizan para que no las cojan los niños y no permita que utilicen las herramientas eléctricas personas no familiarizadas con las mismas o con estas instrucciones.**

Las herramientas eléctricas son peligrosas si son utilizadas por usuarios sin formación.

- e) **Mantenimiento de las herramientas eléctricas. Compruebe si las piezas móviles están mal alineadas o unidas, si hay alguna pieza rota u otra condición que pudiera afectar al funcionamiento de las herramientas eléctricas. Si la herramienta eléctrica está dañada, lívela a reparar antes de utilizarla.**

Se producen muchos accidentes por no realizar un mantenimiento correcto de las herramientas eléctricas.

- f) **Mantenga las herramientas de corte afiladas y limpias.**

Las herramientas de corte correctamente mantenidas con los bordes de corte afilados son más fáciles de controlar.

- g) **Utilice la herramienta eléctrica, los accesorios y las brocas de la herramienta, etc. de acuerdo con estas instrucciones, teniendo en cuenta las condiciones laborales y el trabajo que se va a realizar.**

La utilización de la herramienta eléctrica para operaciones diferentes a pretendidas podría dar lugar a una situación peligrosa.

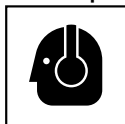
5) Revisión

- a) **Lleve su herramienta a que la revise un experto cualificado que utilice sólo piezas de repuesto idénticas.**

Esto garantizará el mantenimiento de la seguridad de la herramienta eléctrica.

NORMAS Y SÍMBOLOS ESPECÍFICOS DE SEGURIDAD

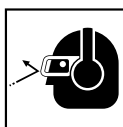
1. **Los accesorios deben tener al menos la velocidad recomendada en la etiqueta de advertencia de la herramienta.** Las ruedas y demás accesorios con una velocidad superior a la indicada pueden salir despedidos y causar lesiones.
2. **Sujete las herramientas por las superficies de empuñadura aisladas cuando realice una operación en la que la herramienta de corte pueda entrar en contacto con cables ocultos o con su propio cable de alimentación.** El contacto con un conductor "activo", "activará" las partes metálicas de la herramienta y el operador recibirá una descarga eléctrica.
3. **SIEMPRE utilice protectores auditivos cuando tenga que utilizar la herramienta durante mucho tiempo.**



La exposición prolongada a ruido de gran intensidad puede causar la sordera.

4. **NO toque NUNCA las piezas móviles.**
NO coloque NUNCA sus manos, dedos, ni demás partes del cuerpo cerca de las piezas móviles de la herramienta.
5. **NO utilice NUNCA la herramienta sin los protectores colocados en su lugar.**
NO utilice NUNCA esta herramienta sin los protectores de seguridad correctamente instalados. Si el trabajo de mantenimiento o de reparación requiere el desmontaje de un protector de seguridad, cerciórese de volver a instalarlo antes de utilizar la herramienta.
6. **Utilice la herramienta correcta.**
No fuerce herramientas ni accesorios pequeños para realizar un trabajo pesado.
No utilice las herramientas para fines no proyectados, por ejemplo, no utilice esta amoladora angular para cortar madera.
7. **NO utilice NUNCA una herramienta eléctrica para aplicaciones que no sean las especificadas.**
NO utilice NUNCA una herramienta eléctrica para aplicaciones no especificadas en este Manual de instrucciones.
8. **Maneje correctamente la herramienta.**
Maneje la herramienta de acuerdo con las instrucciones ofrecidas aquí. No deje caer ni tire la herramienta. NO permita NUNCA que los niños ni otras personas no autorizadas ni familiarizadas con la operación de la herramienta utilicen ésta.
9. **Mantenga todos los tornillos, pernos, y cubiertas firmemente fijados en su lugar.**
Mantenga todos los tornillos, pernos, y cubiertas firmemente montados. Compruebe periódicamente su condición.

10. **No utilice herramientas eléctricas si la carcasa o la empuñadura de plástico está rajada.**
Las rajaduras en la carcasa o en la empuñadura de plástico pueden conducir a descargas eléctricas. Tales herramientas no deberán utilizarse mientras no se hayan reparado.
11. **Las cuchillas y los accesorios deberán montarse con seguridad en la herramienta.**
Evite lesiones personales y de otras personas. Las cuchillas, los accesorios de corte, y demás accesorios montados en la herramienta deberán fijarse con seguridad.
12. **Mantenga limpio el conducto de ventilación del motor.**
El conducto de ventilación del motor limpio para que el aire pueda circular libremente en todo momento. Compruebe frecuentemente y limpie el polvo acumulado.
13. **Utilice las herramientas eléctricas con la tensión de alimentación nominal.**
Utilice las herramientas eléctricas con las tensiones indicadas en sus placas de características.
La utilización de una herramienta eléctrica con una tensión superior a la nominal podría resultar en revoluciones anormalmente altas del motor, en el daño de la herramienta, y en la quemadura del motor.
14. **NO utilice NUNCA una herramienta defectuosa o que funcione anormalmente.**
Si la herramienta parece que funciona anormalmente, produciendo ruidos extraños, etc., deje inmediatamente de utilizarla y solicite su arreglo a un centro de reparaciones autorizado por Hitachi.
15. **NO deje NUNCA la herramienta en funcionamiento desatendida. Desconecte su alimentación.**
No deje sola la herramienta hasta mientras no se haya parado completamente.
16. **Maneje con cuidado las herramientas eléctricas.**
Si una herramienta eléctrica se ha caído o ha chocado inadvertidamente contra materiales duros, es posible que se haya deformado, rajado, o dañado.
17. **No limpie las partes de plástico con disolvente.**
Los disolventes, como gasolina, diluidor de pintura, bencina, tetracloruro de carbono, y alcohol pueden dañar o rajar las partes de plástico. No las limpie con tales disolventes.
Limpie las partes de plástico con un paño suave ligeramente humedecido en agua jabonosa y después séquelas bien.
18. **SIEMPRE utilice gafas protectoras que cumplan con los requerimientos de la última revisión de la norma ANSI Z87.1.**



19. **SIEMPRE** tenga cuidado con los objetos que puedan estar enterrados o emparedados, tales como los cables subterráneos.

Si tocase un circuito activo o un cable eléctrico con esta herramienta, podría recibir una descarga eléctrica.

Antes del uso, confirme que no haya objetos ocultos, como los cables eléctricos enterrados en la pared, el piso o el techo.

20. **Definiciones para los símbolos utilizados en esta herramienta**

V voltios
Hz hertzios
A amperios
no velocidad sin carga
W vatios
☐ Construcción de clase II
---/min revoluciones por minuto
~ Corriente alterna

AISLAMIENTO DOBLE PARA OFRECER UNA OPERACIÓN MÁS SEGURA

Para garantizar una operación más segura de esta herramienta eléctrica, HITACHI ha adoptado un diseño de aislamiento doble. "Aislamiento doble" significa que se han utilizado dos sistemas de aislamiento físicamente separados para aislar los materiales eléctricamente conductores conectados a la fuente de alimentación del bastidor exterior manejado por el operador. Por lo tanto, en la herramienta eléctrica o en su placa de características aparecen el símbolo "☐" o las palabras "Double insulation" (aislamiento doble).

Aunque este sistema no posee puesta a tierra externa, usted deberá seguir las precauciones sobre seguridad eléctrica ofrecidas en este Manual de instrucciones, incluyendo la no utilización de la herramienta eléctrica en ambientes húmedos.

Para mantener efectivo el sistema de aislamiento doble, tenga en cuenta las precauciones siguientes:

- Esta herramienta eléctrica solamente deberá desensamblar y ensamblarla un CENTRO DE REPARACIONES AUTORIZADO POR HITACHI, y solamente deberán utilizarse con ella piezas de reemplazo genuinas de HITACHI.
- Limpie el exterior de la herramienta eléctrica solamente con un paño suave humedecido en agua jabonosa, y después séquela bien. No utilice disolventes, gasolina, ni diluidor de pintura para limpiar las partes de plástico, ya que podría disolverlas.

**¡GUARDE ESTAS INSTRUCCIONES
Y
PÓNGALAS A DISPOSICIÓN DE OTROS USUARIOS
Y
PROPIETARIOS DE ESTA HERRAMIENTA!**

DESCRIPCIÓN FUNCIONAL

NOTA:

La información contenida en este Manual de instrucciones ha sido diseñada para ayudarle a utilizar con seguridad y mantener esta herramienta eléctrica.

NUNCA haga funcionar ni efectúe el mantenimiento de la herramienta antes de leer y comprender todas las instrucciones de seguridad contenidas en este manual.

Algunas ilustraciones de este Manual de Instrucciones pueden mostrar detalles o accesorios diferentes a los de la propia herramienta eléctrica.

NOMENCLATURA

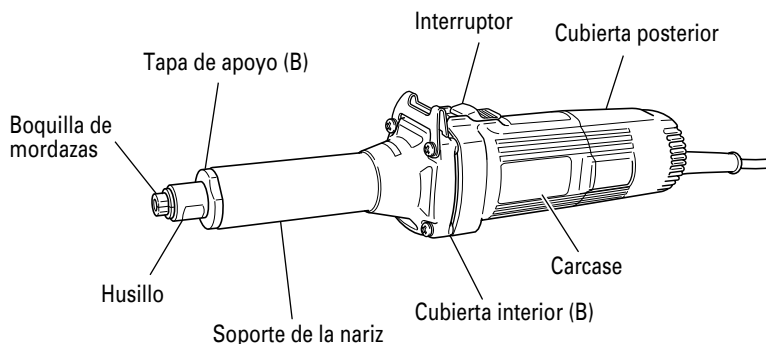


Fig. 1

ESPECIFICACIONES

Motor	Motor conmutador en serie monofásico
Fuente de alimentación	120 V CA, 60 Hz, monofásica
Corriente	4.7 A
Velocidad de marcha en vacío	29,000 / min
Diámetro máximo de la muela	1" (25 mm)
Capacidad de la boquilla de mordazas convergentes	1/4" (6.35 mm)
Peso (sin cable)	3.7 lbs (1.7 kg)

⚠ ADVERTENCIA:

No utilice **NUNCA** una muela abrasiva, una muela de corte ni cualquier otra muela de más de 1" de diámetro. El uso de tales muelas puede provocar su rotura, aumentar el riesgo de producir lesiones resultantes del contacto con la muela o con fragmentos de muela.

MONTAJE Y OPERACIÓN

APLICACIONES

- Acabado de matrices para trabajos de prensas, para coladas a presión y para moldeo.
- Acabado de terrajas, herramientas y otras piezas de pequeño tamaño.
- Rectificado interno de herramientas y piezas de máquinas.

⚠ ADVERTENCIA:

Para evitar el riesgo de sufrir lesiones de gravedad, no utilice NUNCA esta amoladora con muelas abrasivas, muelas de corte y/u hojas de sierra.

ANTES DE LA OPERACIÓN

1. Fuente de alimentación
Cerciórese de que la fuente de alimentación que vaya a utilizar cumpla los requisitos indicados en la placa de características del producto.
2. Interruptor de alimentación
Cerciórese de que el interruptor de alimentación esté en la posición OFF. Si enchufase el cable de alimentación en un tomacorriente de la red con el interruptor en ON, la herramienta eléctrica comenzaría a funcionar inmediatamente, lo que podría provocar lesiones serias.
3. Cable prolongador
Cuando el área de trabajo esté alejada de la fuente de alimentación, utilice un cable prolongador de suficiente grosor y con la capacidad nominal. El cable prolongador deberá mantenerse lo más corto posible.



⚠ ADVERTENCIA:

Si un cable está dañado deberá reemplazar o repararse.

4. Comprobación del tomacorriente
Si el enchufe del cable de alimentación queda flojo en el tomacorriente, habrá que reparar éste. Póngase en contacto con un electricista cualificado para que realice las reparaciones adecuadas. Si utilizase un tomacorriente en este estado, podría producirse recalentamiento, lo que supondría un riesgo serio.
5. Verifique el sitio de trabajo y el área circundante
Asegúrese de verificar a fondo el área de trabajo y compruebe que se pueda trabajar en condiciones de seguridad.
6. Instalación de una muela

⚠ ADVERTENCIA:

EL USO DE UNA MUELA DE TAMAÑO INADECUADO PUEDE PRODUCIR LA ROTURA DE LA MISMA, Y OCASIONAR LESIONES DE GRAVEDAD.

Con el fin de evitar este riesgo, refiérase a la siguiente ilustración para determinar la(s) dimensión(es) de su muela. A continuación se mencionan algunas directrices:

- (a) La dimensión ℓ debe ser siempre inferior a 1/2" (13 mm). Longitudes mayores pueden producir una vibración excesiva, rotura de la muela, y el riesgo de lesiones de gravedad.
- (b) Cuando la dimensión d sea 1/4" (6.35 mm), el diámetro de la muela (dimensión D) deberá ser menor que 1" (25 mm). No utilice NUNCA una muela de mayor diámetro.
- (c) Cuando la dimensión d sea 1/8" (3.175 mm), el diámetro de la muela (dimensión D) deberá ser menor que 3/8" (10 mm).
- (d) La dimensión L varía en función de la dimensión D. La dimensión L puede aumentar a medida que aumenta la dimensión D. Refiérase a la tabla siguiente:

(Cuando $\ell = 1/2"$ (13mm))

d	1/8" (3.175mm)				1/4" (6.35mm)			
	3/16" (5mm)	1/4" (6mm)	5/16" (8mm)	3/8" (10mm)	1/2" (13mm)	5/8" (16mm)	3/4" (20mm)	1" (25mm)
D								
L	1/2" (13mm)	3/4" (20mm)	3/4" (20mm)	3/4" (20mm)	1-1/2" (38mm)	1" (25mm)	1" (25mm)	3/4" (20mm)

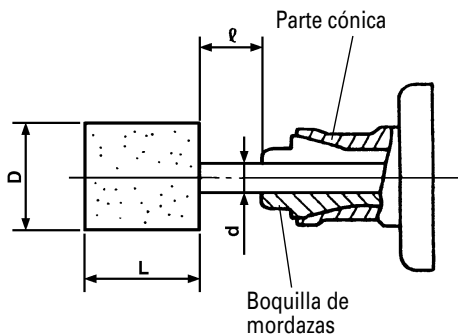


Fig. 2

Las muelas pueden montarse y desmontarse utilizando las dos llaves de tuercas. (Fig. 3)

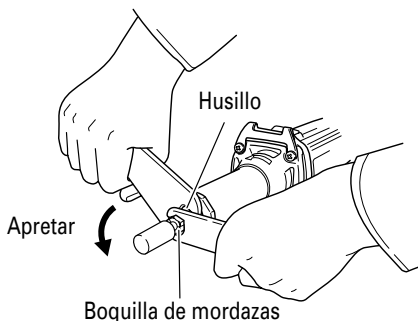


Fig. 3

NOTA:

- No apretar la boquilla de mordazas convergentes insertando un eje de diámetro inferior al del eje normal (1/4" (6.35 mm)) en el manguito portaherramienta. Esto dañará a la larga la boquilla de mordazas convergentes.
 - Cuando se instale una muela con eje, apretar la boquilla de mordazas convergentes después de haber aplicado una pequeña cantidad de aceite para usos (o aceite de máquinas de coser) a la parte cónica indicada en la Fig. 2.
7. Utilización de la empuñadura lateral (Fig. 4)
- Asegúrese de utilizar la empuñadura lateral para evitar todo riesgo de descarga eléctrica importante. Conecte la empuñadura lateral a la máquina de la siguiente manera.
- (1) Afloje el agarre de la empuñadura lateral e introdúzcala en la parte de la abrazadera del clavo de la máquina desde la parte de la brida del manguito de la empuñadura lateral.
 - (2) Ajuste la empuñadura lateral en una posición adecuada para la operación y apriete fijamente el agarre de la empuñadura lateral.

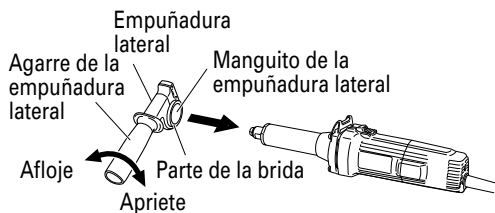


Fig. 4

OPERACIÓN DE LA AMOLADORA

1. Encendido y apagado (Fig. 5)
 - (1) La herramienta se enciende deslizando la palanca del interruptor hacia el lado "ON", y se apaga deslizando la palanca hacia el lado "OFF".

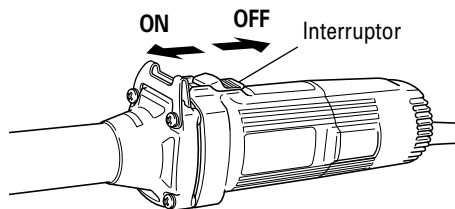


Fig. 5

- (2) Cuando instale una muela nueva, "pruebe" la condición de la muela haciendo funcionar la amoladora durante 180 segundos, con la muela dirigida en dirección contraria a usted. No acerque nunca sus manos y su cuerpo a la rueda.
2. Precauciones durante el funcionamiento
 - (1) Presionar ligeramente la muela contra el material para ser rectificado. Cuando se rectifiquen los materiales serán necesarias muchas revoluciones. Utilizar una amoladora de gran velocidad minimizando la fuerza de presión.
 - (2) Preparación de la muela

Después de instalar la muela, corregir el desvío del centro de la muela utilizando una reacondicionadora (venta por separado). Si el centro de la muela fuese excéntrico, no solamente se logrará un acabado preciso sino que aumentarán las vibraciones de la amoladora disminuyendo su precisión y su duración. Una muela obstruida o desgastada ensuciará el acabado de la superficie o disminuirá la eficiencia del material ya rectificado. Preparar de vez en cuando la muela utilizando una reacondicionadora.

MANTENIMIENTO E INSPECCIÓN

⚠ **ADVERTENCIA:**

- **Antes de realizar el mantenimiento o la inspección de la amoladora, cerciórese de desconectar la alimentación y de desenchufar el cable de alimentación del tomacorriente.**
- **El uso de una muela agrietada, deformada o dañada puede ocasionar roturas de la rueda, así como lesiones de gravedad.**

1. Inspección de la muela
Cerciorarse de que la muela no tenga ranuras ni defectos en la superficie.
2. Inspección de los tornillos de montaje
Inspeccione regularmente todos los tornillos de montaje y asegúrese de que estén apretados adecuadamente. Si hay algún tornillo flojo, apriételo inmediatamente.

⚠ **ADVERTENCIA:**

La utilización de esta amoladora recta con tornillos flojos es extremadamente peligroso.

3. Inspeccionar los carbones de contacto (Fig. 6)
El motor utiliza escobillas de carbón, que son piezas fungibles. Reemplace las escobillas por otras nuevas cuando se hayan desgastado hasta su límite. Mantenga siempre limpias las escobillas para asegurar que se deslicen libremente dentro de los portaescobillas.

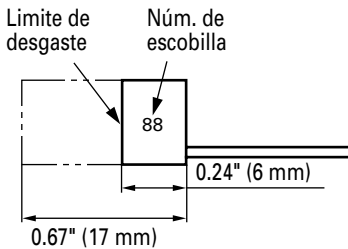


Fig. 6

⚠ **PRECAUCIÓN**

- **La utilización de esa amoladora recta con escobillas desgastadas más allá del límite dañará el motor.**

NOTA:

- Utilice las escobillas HITACHI Núm. 88 indicadas en la Fig. 6.

4. Reemplazo de las escobillas (Fig. 7)

<Desmontaje>

- (1) Afloje el tornillo autorroscante D4 que sujeta la cubierta de la cola y desmonte ésta.
- (2) Emplee la llave macho hexagonal auxiliar o un pequeño destornillador para tirar del borde del resorte helicoidal que empuja hacia abajo el carbón de contacto extraiga el dorde del resorte hacia afuera el soporte del carbón de contacto.
- (3) Extraiga la sección del soporte del carbón de contacto en la sección del terminal del soporte del carbón de contacto y desqués extraiga el carbón de contacto de su soporte.

<Montaje>

- (1) Insert el extremo del conductor helicoidal del carbón de contacto en la sección del terminal del soporte del carbón de contacto.
- (2) Insert el carbón de contacto en el soporte del mismo.
- (3) Emplee la llave macho hexagonal auxiliar o un pequeño destornillador para devolver el borde del resorte helicoidal hasta la cabeza del carbón de contacto.
- (4) Cierre la cubierta de la cola y apriete el tornillo autorroscante D4.

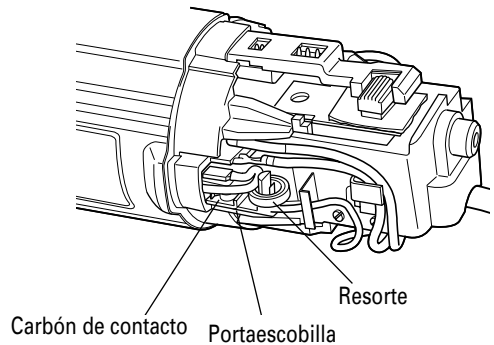


Fig. 7

5. Mantenimiento y reparación

Todas las herramientas eléctricas de calidad requieren de vez en cuando el servicio de mantenimiento o el reemplazo de piezas debido al desgaste producido durante la utilización normal. Para asegurarse de que solamente se utilicen piezas de reemplazo autorizadas, todos los servicios de mantenimiento y reparación deberán realizarse **SOLAMENTE** en un **CENTRO DE REPARACIONES AUTORIZADO POR HITACHI**.

6. Lista de repuestos

⚠ PRECAUCIÓN

- La reparación, modificación e inspección de las herramientas eléctricas Hitachi deben ser realizadas por un Centro de Servicio Autorizado de Hitachi.
- Esta lista de repuestos será de utilidad si es presentada junto con la herramienta al Centro de Servicio Autorizado de Hitachi para solicitar la reparación o cualquier otro tipo de mantenimiento.
- En el manejo y el mantenimiento de las herramientas eléctricas, se deberán observar las normas y reglamentos vigentes en cada país.

MODIFICACIONES:

Hitachi Power Tools introduce constantemente mejoras y modificaciones para incorporar los últimos avances tecnológicos.

Por consiguiente, algunas partes pueden ser modificadas sin previo aviso.

ACCESORIOS

- ⚠ **ADVERTENCIA:** UTILICE únicamente repuestos y accesorios autorizados por HITACHI. NO utilice NUNCA repuestos o accesorios no previstos para usar con esta herramienta. Si tiene dudas en cuanto a la seguridad de usar determinado repuesto o accesorio junto con su herramienta, póngase en contacto con HITACHI. La utilización de otros accesorios puede resultar peligrosa y causar lesiones o daños mecánicos.

NOTA: Los accesorios están sujetos a cambio sin ninguna obligación por parte de HITACHI.

ACCESORIOS ESTÁNDAR

- | | | |
|-----|---|---|
| (1) | Llave de tuercas (43/64"(17 mm))
(Núm. de código 936638) | 1 |
| (2) | Llave de tuercas (15/32"(12 mm))
(Núm. de código 936553) | 1 |
| (3) | Mango lateral
(Núm. de código 329758) | 1 |

ACCESORIOS OPCIONALES

..... de venta por separado

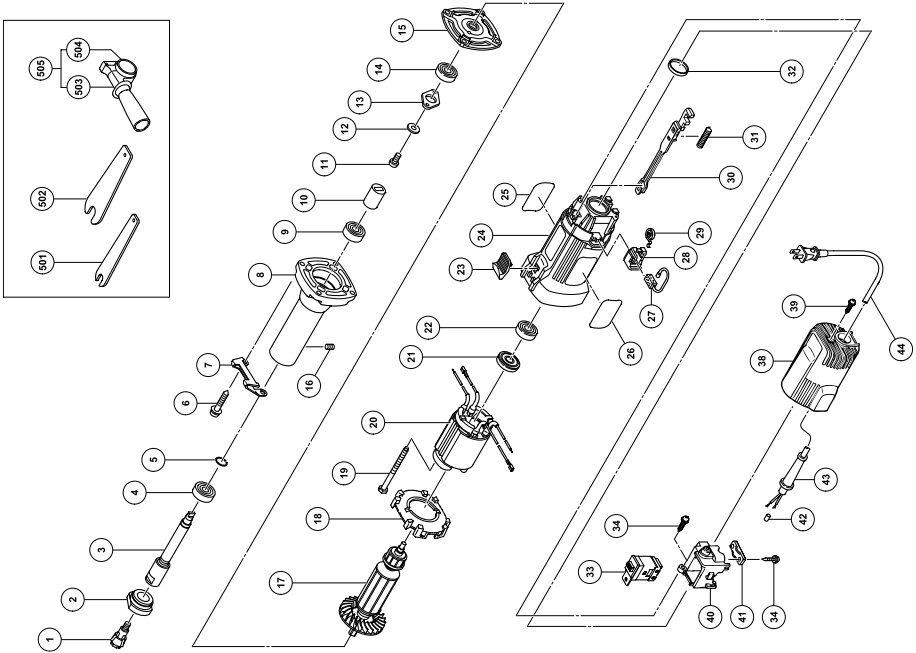
- Boquilla de mordazas convergentes (para ejes de 1/8"(3.175 mm))
Las dimensiones y los métodos de manejo, a excepción del agujero del eje, son los mismos que para la boquilla de mordazas de 1/4"(6 mm).
- Caja

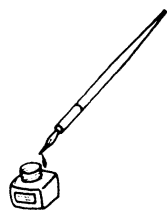
NOTA:

- Las especificaciones están sujetas a cambio sin ninguna obligación por parte de HITACHI.

Item No.	Part Name	Q'TY
501	WRENCH 12MM	1
502	WRENCH 17MM	1
503	SIDE HANDLE	1
504	FLANGED SLEEVE	1
505	SIDE HANDLE SLEEVE ASS'Y	1

Item No.	Part Name	Q'TY
1	COLLET CHUCK 6MM	1
2	BEARING LID (B)	1
3	SPINDLE	1
4	BALL BEARING 6001VVCMP52L	1
5	RING	1
6	TAPPING SCREW (W/SP WASHER) D5x30	4
7	GUARD PLATE	1
8	NOSE BRACKET	1
9	BALL BEARING 6000VVCMP52L	1
10	COUPLING	1
11	MACHINE SCREW M4x10	2
12	SPRING WASHER M4	2
13	BEARING COVER	1
14	BALL BEARING 608VVC2	1
15	INNER COVER	1
16	HEX. SOCKET SET SCREW M4x4	1
17	ARMATURE	1
18	FAN GUIDE	1
19	HEX. HD. TAPPING SCREW D4x70	2
20	STATOR	1C
21	DUST SEAL	1
22	BALL BEARING 608VVC2	1
23	SLIDE SWITCH KNOB	1
24	HOUSING	1
25	NAME PLATE	1
26	HITACHI LABEL	1
27	CARBON BRUSH	2
28	BRUSH HOLDER	2
29	SPRING	2
30	SLIDE BAR	1
31	SPRING	1
32	RUBBER RING	1
33	SLIDE SWITCH	1
34	TAPPING SCREW (W/FLANGE) D4x16	3
38	TAIL COVER	1
39	TAPPING SCREW (W/FLANGE) D4x16	1
40	SWITCH HOLDER	1
41	CORD CLIP	1
42	TUBE (D)	2
43	CORD ARMOR	1
44	CORD	1





WARNING:

Some dust created by power sanding, sawing, grinding, drilling, and other construction activities contains chemicals known to the State of California to cause cancer, birth defects or other reproductive harm. Some examples of these chemicals are:

- Lead from lead-based paints,
- Crystalline silica from bricks and cement and other masonry products, and
- Arsenic and chromium from chemically-treated lumber.

Your risk from these exposures varies, depending on how often you do this type of work. To reduce your exposure to these chemicals: work in a well ventilated area, and work with approved safety equipment, such as those dust masks that are specially designed to filter out microscopic particles.

AVERTISSEMENT :

La poussière résultant d'un ponçage, d'un sciage, d'un meulage, d'un perçage ou de toute autre activité de construction renferme des produits chimiques qui sont connus par l'Etat de Californie pour causer des cancers, des défauts de naissance et autres anomalies de reproduction. Nous énumérons ci-dessus certains de ces produits chimiques :

- Plomb des peintres à base de plomb,
- Silice cristalline des briques et du ciment et autres matériaux de maçonnerie, et
- Arsenic et chrome du bois d'oeuvre traité chimiquement.

Le risque d'exposition à ces substances varie en fonction de la fréquence d'exécution de ce genre de travail. Pour réduire l'exposition à ces produits chimiques, travailler dans un lieu bien ventilé, et porter un équipement de protection agréé, par exemple un masque anti-poussière spécialement conçu pour filter les particules microscopiques.

ADVERTENCIA:

Algunos polvos creados por el lijado mecánico, el aserrado, el esmerilado, el taladrado y otras actividades de construcción contienen sustancias químicas conocidas por le Estado de California como agentes cancerígenos, defectos congénitos y otros daños reproductores. Algunos ejemplos de estas sustancias químicas son:

- El plomo de las pinturas a base de plomo,
- El sílice cristalino de los ladrillos y cemento y otros productos de mampostería, y
- El arsénico y el cromo de la madera tratada químicamente.

El riesgo resultante de la exposición varía según la frecuencia con que se realiza este tipo de trabajo. Para reducir la exposición a esta sustancias químicas: trabaje en un lugar bien ventilado y realice el trabajo utilizando el equipamiento apropiado, tal como las máscaras para el polvo especialmente diseñados para eliminar las partículas minúsculas.

Issued by

 **Hitachi Koki Co., Ltd.**

Shinagawa Intercity Tower A, 15-1, Konan 2-chome,
Minato-ku, Tokyo 108-6020, Japan

Distributed by

 **Hitachi Koki U.S.A., Ltd.**

3950 Steve Reynolds Blvd.
Norcross, GA 30093

 **Hitachi Koki Canada Co.**

450 Export Blvd. Unit B,
Mississauga ON L5T 2A4

909

Code No. C99182461 M
Printed in Malaysia