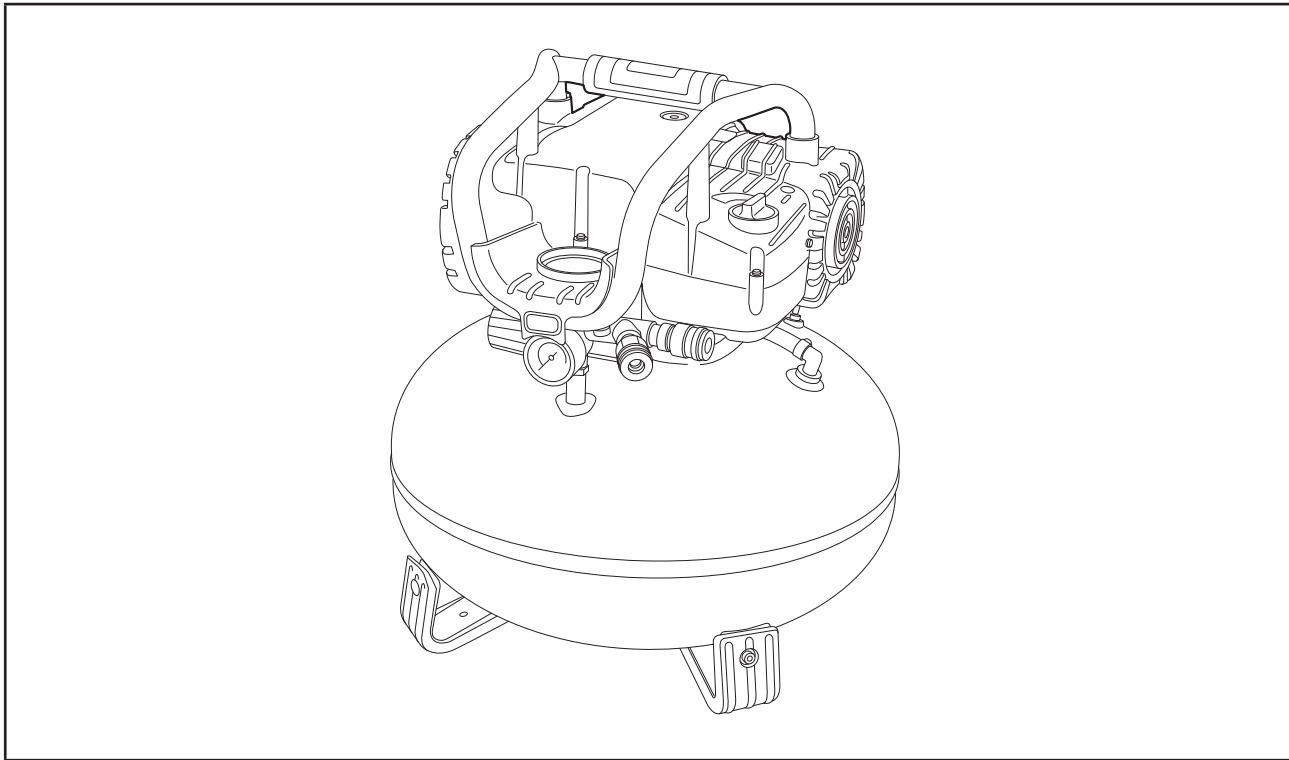


HITACHI

INSTRUCTION MANUAL AND SAFETY INSTRUCTIONS FOR AIR COMPRESSOR
MANUEL D'UTILISATION ET CONSIGNES DE SÉCURITÉ DU COMPRESSEUR
MANUAL DE INSTRUCCIONES Y INSTRUCCIONES DE SEGURIDAD PARA EL COMPRESOR DE AIRE

MODEL
MODÈLE
MODELO

EC 710S



⚠ WARNING

Improper and unsafe use of this compressor can result in death or serious bodily injury!

This manual contains important information about product safety.

Please read and understand this manual before operating the compressor.

Please keep this manual available for others before they use the compressor.

⚠ AVERTISSEMENT

Une utilisation du compresseur de manière incorrecte ou ne respectant pas les consignes de sécurité peut entraîner la mort ou de graves blessures!

Ce manuel renferme des informations importantes relatives à la sécurité.

Veuillez lire attentivement toutes les instructions avant de mettre le compresseur en service.

Laissez ce manuel à la disposition des personnes qui vont utiliser le compresseur.

⚠ ADVERTENCIA

¡La utilización inadecuada e insegura de este compresor puede resultar en la muerte o en lesiones serias!

Este manual contiene información importante sobre la seguridad del producto.

Antes de utilizar el compresor, lea y entienda bien este manual.

Guarde este manual as mano para que otras personas puedan leerlo antes de utilizar el compresor.

Hitachi Koki

English	- CONTENTS -	Page
IMPORTANT INFORMATION		3
MEANINGS OF SIGNAL WORDS		3
SYMBOLS		3
SAFETY		
IMPORTANT SAFETY INSTRUCTIONS FOR USE OF THE COMPRESSOR		4
REPLACEMENT PARTS		6
GROUNDING INSTRUCTIONS.....		7
EXTENSION CORD		7
OPERATION AND MAINTENANCE		
NAME OF PARTS.....		9
SPECIFICATIONS		9
APPLICATIONS.....		10
PRIOR TO OPERATION.....		10
TRANSPORT		11
OPERATION.....		11
MAINTENANCE		12
SERVICE AND REPAIRS		12
PARTS LIST		34

Français	- TABLE DES MATIÈRES -	Page
INFORMATIONS IMPORTANTES		13
SIGNIFICATION DU VOCABULAIRE DE SIGNALISATION		13
SYMBOLES		13
SÉCURITÉ		
CONSIGNES DE SÉCURITÉ IMPORTANTES POUR L'UTILISATION DU COMPRESSEUR		14
PIÈCES DE RECHANGE.....		16
INSTRUCTIONS DE MISE À LA TERRE.....		17
CORDON DE RALLONGE		17
UTILISATION ET ENTRETIEN		
NOM DES PIÈCES		19
SPÉCIFICATIONS		19
APPLICATIONS.....		20
AVANT L'UTILISATION		20
TRANSPORT		21
UTILISATION.....		21
ENTRETIEN		22
DÉPANNAGE ET RÉPARATIONS		22
LISTE DES PIÈCES.....		34

Español	- ÍNDICE -	Página
INFORMACIÓN IMPORTANTE		23
SIGNIFICADO DE LAS PALABRAS DE SEÑALIZACIÓN		23
SÍMBOLOS		23
SEGURIDAD		
INSTRUCCIONES IMPORTANTES DE SEGURIDAD PARA LA UTILIZACIÓN DEL COMPRESOR		24
PIEZAS DE REEMPLAZO		26
INSTRUCCIONES PARA LA PUESTA A TIERRA		27
CABLE PROLONGADOR.....		27
OPERACIÓN Y MANTENIMIENTO		
NOMENCLATURA		29
ESPECIFICACIONES		29
APLICACIONES		30
ANTES DE LA OPERACIÓN		30
TRANSPORTE		31
OPERACIÓN		31
MANTENIMIENTO		32
SERVICIO Y REPARACIONES		32
LISTA DE PIEZAS		34

IMPORTANT INFORMATION

Read and understand all of the operating instructions, safety precautions and warnings in the Instruction Manual before operating or maintaining this compressor.

Most accidents that result from compressor operation and maintenance are caused by the failure to observe basic safety rules or precautions. An accident can often be avoided by recognizing a potentially hazardous situation before it occurs, and by observing appropriate safety procedures.

Basic safety precautions are outlined in the "SAFETY" section of this Instruction Manual and in the sections which contain the operation and maintenance instructions.

Hazards that must be avoided to prevent bodily injury or machine damage are identified by WARNINGS on the compressor and in this Instruction Manual.


Never use this compressor in a manner that has not been specifically recommended by HITACHI, unless you first confirm that the planned use will be safe for you and others.

MEANINGS OF SIGNAL WORDS

- WARNING** indicates a potentially hazardous situations which, if ignored, could result in death or serious personal injury.
- CAUTION** indicates a potentially hazardous situations which, if not avoided, may result in minor or moderate injury, or may cause machine damage.
- NOTE** emphasizes essential information.

SYMBOLS

Some of the following symbols may be used on this tool. Please study them and learn their meaning. Proper interpretation of these symbols will allow you to operate the tool better and safer.

SYMBOL	NAME	DESIGNATION/EXPLANATION
	Hot Surface	To reduce the risk of injury or damage, avoid contact with any hot surface.

SAFETY

IMPORTANT SAFETY INSTRUCTIONS FOR USE OF THE COMPRESSOR

⚠ WARNING: Death or serious bodily injury could result from improper or unsafe use of compressor. To avoid these risks, follow these basic safety instructions:

READ ALL INSTRUCTIONS

- 1. NEVER TOUCH MOVING PARTS.**
Never place your hands, fingers or other body parts near the compressor's moving parts.
Never insert your fingers or other objects into the shroud ventilator. Such an action invites the danger of injuries or electric shocks.
- 2. NEVER OPERATE WITHOUT ALL GUARDS IN PLACE.**
Never operate this compressor without all guards or safety features in place and in proper working order. If maintenance or servicing requires the removal of a guard or safety features, be sure to replace the guard or safety features before resuming operation of the compressor.
- 3. ALWAYS WEAR PROTECTION.**
Risk of injury. Always wear ANSI Z87.1 safety glasses with side shields or equivalent eye protection. Compressed air must never be aimed at anyone or any part of the body. Use ear protection as air flow noise is loud when draining.
- 4. PROTECT YOURSELF AGAINST ELECTRIC SHOCK.**
Prevent body contact with grounded surfaces such as pipes, radiators, ranges and refrigeration enclosures. This compressor must be properly grounded. Don't expose compressor to rain. Never operate the compressor in damp or wet locations.
To reduce risk of electric shock, do not remove shroud.
- 5. DISCONNECT THE COMPRESSOR.**
Always disconnect the compressor from the power source and remove the compressed air from the air tank before servicing, inspecting, maintaining, cleaning, replacing or checking any parts.
- 6. AVOID UNINTENTIONAL STARTING.**
Do not carry the compressor while it is connected to its power source or when the air tank is filled with compressed air. Be sure the knob of the pressure switch in the "OFF" position before connecting the compressor to its power source.
- 7. STORE COMPRESSOR PROPERLY.**
When not in use, the compressor should be stored in indoor dry place. Keep out of reach of children. Lock-out the storage area.
- 8. KEEP WORK AREA CLEAN.**
Cluttered areas invite injuries. Clear all work areas of unnecessary tools, debris, furniture, etc.
- 9. CONSIDER WORK AREA ENVIRONMENT.**
Keep work area well lit and well ventilated. Operate the compressor in an open area at least 18 inches (457 mm) away from any wall or object that could restrict the flow of fresh air to the ventilation openings. Do not place rags or other objects on or near these openings.
Risk of fire or explosion. Do not carry and operate the compressor or any other electrical device near the spray area. Do not use compressor in the presence of flammable liquids or gases.
Never place objects against or on top of compressor. Compressor produces sparks during operation. Never use compressor in sites containing lacquer, paint, benzene, thinner, gasoline, gases, adhesive agents, and other materials which are combustible or explosive.
Always operate the compressor in a stable and secure position to prevent accidental movement of the unit. Never operate the compressor on a roof or other elevated position. Never use on a ladder or unstable support. Use an additional air hose to reach high locations.
This compressor contains some components parts that tend to produce arcs or sparks, and therefore, when located in a garage, it should be in a room or enclosure provided for this purpose, and should be 18 inches (457 mm) or more above the floor.
- 10. KEEP COMPRESSORS AS FAR FROM THE SPRAYING AREA AS POSSIBLE.**
Risk of fire or explosion. Do not spray flammable liquid in a confined area. The spray area must be well ventilated. Do not smoke while spraying or spray where sparks or a flame is present. Use spray gun hose at least 25 feet (7.6 m) long and keep the compressor/motor at least 20 feet (6.1 m) away from explosive vapours. Do not use this air compressor to spray chemicals. Your lungs can be damaged by inhaling toxic fumes.
A respirator may be necessary in dusty environments or when spraying paint. Do not carry while painting.
- 11. KEEP CHILDREN AWAY.**
Do not let visitors contact compressor extension cord. All visitors should be kept safely away from work area.
- 12. DRESS PROPERLY.**
Do not wear loose clothing or jewelry. They can be caught in moving parts.
Wear protective hair covering to contain long hair.
- 13. DON'T ABUSE CORD.**
Never yank it to disconnect from receptacle. Keep cord from heat, oil and sharp edges.

- 14. MAINTAIN COMPRESSOR WITH CARE.**
Follow maintenance chart (refer to page 12).
Inspect cords periodically and if damaged, have repaired by authorized service center. Inspect extension cords periodically and replace if damaged.
- 15. OUTDOOR USE EXTENSION CORDS.**
When compressor is used outdoors, use only extension cords intended for use outdoors and so marked.
- 16. STAY ALERT.**
Watch what you are doing. Use common sense. Never stand on the compressor. Do not allow the compressor to operate unattended. Do not operate compressor when you are tired. Compressor should never be used by you if you are under the influence of alcohol, drugs or medication that makes you drowsy.
- 17. CHECK DAMAGED PARTS AND AIR LEAK.**
Before further use of the compressor, a guard or other part is damaged should be carefully checked to determine that it will operate properly and perform its intended function. Check for alignment of moving parts, binding of moving parts, breakage of parts, mounting, air leak, and any other conditions that may affect its operation.
A guard or other part that is damaged should be properly repaired or replaced by a Hitachi authorized service center.
Have defective pressure switches replaced by a Hitachi authorized service center.
Do not use compressor if switch does not turn it on and off.
- 18. NEVER USE COMPRESSOR FOR APPLICATIONS OTHER THAN THOSE SPECIFIED.**
Never use compressor for applications other than those specified in the Instruction Manual.
Following all safety precautions in this manual and the manufacturer's instructions in the application manual.
Never use compressed air for breathing or respiration.
- 19. HANDLE COMPRESSOR CORRECTLY.**
Operate the compressor according to the instructions provided herein. Never allow the compressor to be operated by children, individuals unfamiliar with its operation or unauthorized personnel.
- 20. KEEP ALL SCREWS, BOLTS AND GUARDS TIGHTLY IN PLACE.**
Keep all screws, bolts, and guards tightly mounted. Check their conditions periodically.
- 21. KEEP MOTOR AIR VENT CLEAN.**
The motor air vent must be kept clean so that air can freely flow at all times. Check for dust build-up frequently.
- 22. OPERATE COMPRESSOR AT THE RATED VOLTAGE.**
Operate the compressor at voltages specified on their nameplates.
If using the compressor at a higher voltage than the rated voltage, it will result in abnormally fast motor revolution and may damage the unit and burn out the motor.
If compressor is connected to a circuit protected by fuse, use time delay fuses. Time delay fuses should be marked "D" in Canada and "T" in the U.S.
- 23. NEVER USE A COMPRESSOR WHICH IS DEFECTIVE OR OPERATING ABNORMALLY.**
If the compressor appears to be operating unusually, making strange noises or vibration, or otherwise appears defective, stop using it immediately and arrange for repairs by a Hitachi authorized service center.
- 24. DO NOT WIPE PLASTIC PARTS WITH SOLVENT.**
Solvents such as gasoline, thinner, benzene, carbon tetrachloride, and alcohol may damage and crack plastic parts. Do not wipe them with such solvents.
Wipe plastic parts with a soft cloth lightly dampened with soapy water and dry thoroughly.
- 25. USE ONLY GENUINE HITACHI REPLACEMENT PARTS.**
Replacement parts not manufactured by Hitachi may void your warranty and can lead to malfunction and resulting injuries. Genuine Hitachi parts are available from your dealer.
- 26. DO NOT MODIFY THE COMPRESSOR.**
Do not modify the compressor. Do not drill into, weld, patch or modify the air tanks. Do not make adjustments to the components that control tank pressure. Do not make alterations to the factory operating pressure settings. Do not operate at pressures or speeds in excess of the manufacturer's recommendations. Always contact the Hitachi authorized service center for any repairs. Unauthorized modification may not only impair the compressor performance but may also result in accidents or injury to repair personnel who do not have the required knowledge and technical expertise to perform the repair operations correctly.
- 27. TURN OFF THE PRESSURE SWITCH WHEN THE COMPRESSOR IS NOT USED.**
When the compressor is not used, turn off the pressure switch, disconnect the plug from the power source and open the drain cock to discharge the compressed air from the air tank.
- 28. NEVER TOUCH HOT SURFACE.**
To reduce the risk of burns, do not touch the delivery pipe, check valve or pump.
These areas can remain hot for at least 45 minutes after this compressor is shutdown.
Allow compressor to cool prior to servicing.
- 29. DO NOT DIRECT AIR STREAM AT BODY.**
Risk of injury. Do not direct air stream at persons or animals.
- 30. DRAIN TANK.**
Risk of bursting. Water will condense in the air tank. If not drained, water will corrode and weaken the air tank causing a risk of air tank rupture.
Drain tank daily or after 4 hours of use. To drain the air tank, open valves slowly and tilt compressor to empty accumulated water.
Keep face and the other body parts away from outlet of drain.
Use ANSI Z87.1 safety glasses with side shields when draining as debris can be kicked up into face.

31. DO NOT STOP COMPRESSOR BY PULLING OUT THE PLUG.

This could result in damage to the unit.
Use the "ON/OFF" knob of pressure switch.

32. MAKE SURE THE COMPRESSOR OUTLET PRESSURE IS SET LOWER THAN THE MAXIMUM OPERATING PRESSURE OF THE TOOL.

Too much air pressure causes a hazardous risk of bursting.
Check the manufacturer's maximum pressure rating for air tools and accessories. The regulator outlet pressure must never exceed the maximum pressure rating.

33. THE SAFETY VALVE MUST WORK PROPERLY.

Risk of bursting. Before starting the compressor, pull the ring on the safety valve to make sure that the safety valve operates smoothly. If the safety valve does not work properly, over-pressurization may occur, causing air tank rupture or an explosion. Do not use compressor if the safety valve is stuck or does not operate smoothly. Have defective safety valve replaced by a Hitachi authorized service center.

34. USE OF THIS PRODUCT WILL EXPOSE YOU TO CHEMICALS KNOWN TO THE STATE OF CALIFORNIA.

Some dust created by this product contains chemicals known to State of California to cause cancer, birth defects or other reproductive harm. Some examples of these chemicals are:

- compounds in fertilizers
- compounds in insecticides, herbicides and pesticides
- arsenic and chromium from chemically treated lumber

To reduce your exposure to these chemicals, wear approved safety equipment such as dust masks that are specially designed to filter out microscopic particles. Use of this product will expose you to chemicals known to the State of California to cause cancer, birth defects and other reproductive harm. Avoid inhaling vapors and dust, and wash hands after using. This product contains chemicals, including lead, known to the State of California to cause cancer, and birth defects or other reproductive harm. Wash hands after handling.

REPLACEMENT PARTS

When servicing use only identical replacement parts.
Repairs should be conducted only by a Hitachi authorized service center.

SAFETY — Continued

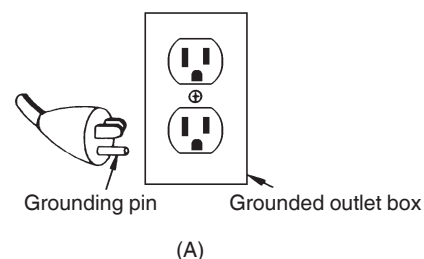
GROUNDING INSTRUCTIONS

This compressor should be grounded while in use to protect the operator from electric shock. The compressor is equipped with a three-conductor cord and three-prong grounding type plug to fit the proper grounding type receptacle. The green (or green and yellow) conductor in the cord is the grounding wire. Never connect the green (or green and yellow) wire to a live terminal. If your unit is for use on less than 150 volts, it has a plug that looks like that shown in sketch (A) in Figure on the right. An adapter, see sketches (B) and (C), is available for connecting sketch (A) type plugs to two-prong receptacles. The green-colored rigid ear, lug, or the like extending from the adapter must be connected to a permanent ground, such as a properly grounded outlet box.

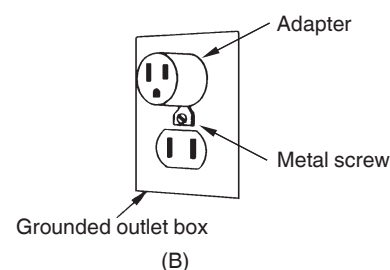
NOTE: The grounding adaptor, sketch (C), is prohibited in Canada by Canadian Electrical Code Part 1. Therefore, the instructions for its use are not applicable in Canada.

We recommend that you never disassemble the compressor or try to do any rewiring in the electrical system. Any repairs should be performed only by HITACHI Service Centers. Should you be determined to make a repair yourself, remember that the green colored wire is the “grounding” wire. Never connect this green wire to a “live” terminal. If you replace the plug on the power cord, be sure to connect the green wire only to the grounding (longest) prong on a 3-prong plug.

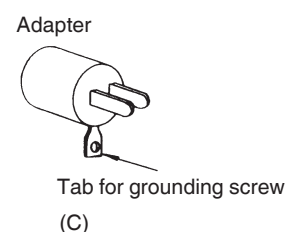
If in doubt, call a qualified electrician and have the receptacle checked for ground.



(A)



(B)



(C)

EXTENSION CORD

Use only three-wire extension cords that have three-prong grounding-type plugs and three-pole receptacles that accept the compressor's plug. Replace or repair damaged cord.

Make sure your extension cord is in good condition. When using an extension cord, be sure to use one heavy enough to carry the current your product will draw. An undersized cord will cause a drop in line voltage resulting in loss of power and overheating. Table shows the correct size to use depending on cord length and name plate ampere rating. If in doubt, use the next heavier gage. The smaller the gage number, the heavier the cord.

MINIMUM GAUGE FOR EXTENSION CORDS

Ampere Rating	Total Length of Cord in Feet (Meter)			
	0 – 25 (0 – 7.6)	26 – 50 (7.9 – 15.2)	51 – 100 (15.5 – 30.5)	101 – 150 (30.8 – 45.7)
More Than	Wire size (A. W. G)			
Not More Than				
0 – 6	14	14	14	12
6 – 10	14	14	12	10
10 – 12	14	12	10	
12 – 16	14	12	Not Recommended	

⚠ WARNING: Avoid electrical shock hazard. Never use this compressor with a damaged or frayed electrical cord or extension cord. Inspect all electrical cords regularly. Never use in or near water or in any environment where electric shock is possible.

**SAVE THESE INSTRUCTIONS
AND
MAKE THEM AVAILABLE TO
OTHER USERS OF THIS TOOL!**

OPERATION AND MAINTENANCE

NOTE:

The information contained in this Instruction Manual is designed to assist you in the safe operation and maintenance of the compressor.

Some illustrations in this Instruction Manual may show details or attachments that differ from those on your own compressor.

NAME OF PARTS

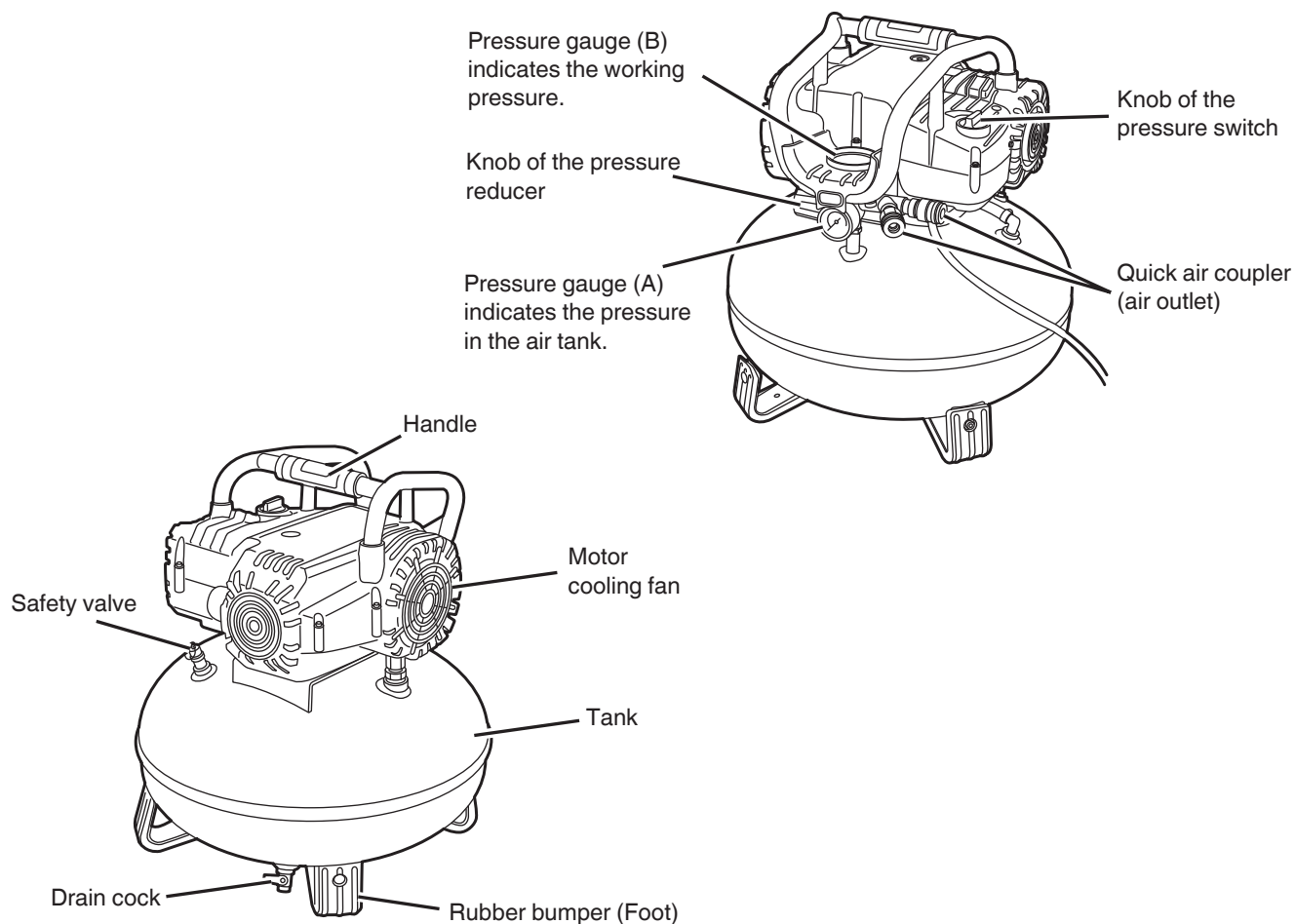


Fig. 1

SPECIFICATIONS

Model	EC 710S	
Motor	Single-Phase, universal motor	
Power Source	Single-Phase, 120 V AC 60 Hz	
Running Horse Power	1.0 HP (0.74 KW)	
Current	12 A	
Tank Capacity	6 gal. (22.7 ltr)	
Maximum Pressure	150 PSI (10.3 bar)	
Free Air Delivery	at 40 PSI (2.8 bar)	3.7 CFM (104.8 ltr/min)
	at 90 PSI (6.2 bar)	2.8 CFM (79.3 ltr/min)
Lubrication	Oil-less	

APPLICATIONS

Air compressors are utilized in a variety of air system applications.

Match hoses, connectors, air tools, and accessories to the capabilities of the air compressor.

You may use this tool for purposes listed below:

Operating air powered tools requiring less than 2.8 SCFM @ 90 PSI or 3.7 SCFM @ 40 PSI.

Powering pneumatic nail guns, inflating tires, cleaning / blowing with pressurized air.

⚠ WARNING: Always follow all safety rules recommended by the manufacturer of your tool, in addition to all safety rules for the air compressor. Following these rules will reduce the risk of serious personal injury.

PRIOR TO OPERATION

1. Power source
Ensure that the power source to be utilized conforms to the power source requirements specified on the product nameplate.

NOTE: If compressor is connected to a circuit protected by fuse, use time delay fuses.
Time delay fuses should be marked "D" in Canada and "T" in the U.S.

2. Power switch
Ensure that the knob of the pressure switch is in the "OFF" position (Fig. 2). If the plug is connected to a receptacle while the knob is in the "ON" position, the compressor will start operating immediately and can cause serious injury.

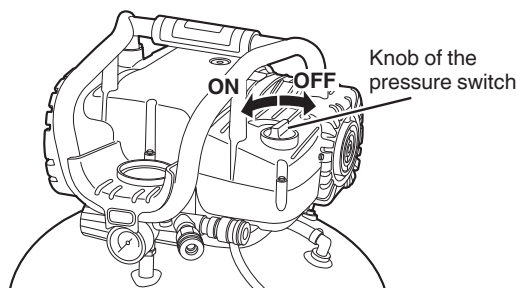


Fig. 2

3. Extension cord
When the work area is far away from the power source, use an extension cord of sufficient thickness and rated capacity (refer page 7). The extension cord should be kept as short as practicable.

⚠ WARNING: Damaged cord must be replaced or repaired.

4. Confirm the power receptacle
If the power receptacle only loosely accepts the plug, the receptacle must be repaired. Contact the nearest electric store for repair service.
If such a faulty receptacle is used, may cause overheating, resulting in a serious hazard.

5. To check the safety valve.
Before starting compressor, pull the ring on the safety valve to make sure that the safety valve operates smoothly. (Fig. 3) Do not use compressor if the safety valve is stuck or does not operate smoothly. Have defective safety valve replaced by a Hitachi authorized service center.

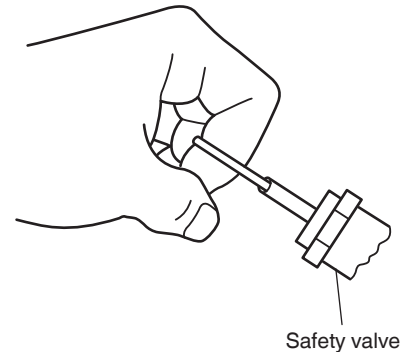


Fig. 3

⚠ WARNING: Drain tank to release air pressure before pull the ring on the safety valve.

⚠ WARNING: Risk of bursting.
If the safety valve does not work properly, over-pressurization may occur, causing air tank rupture or an explosion.

6. Right running position
Always operate the compressor in a stable and secure position to prevent accidental movement of the unit. Never operate the compressor on a roof or other elevated position. Never use on a ladder or unstable support. Use an additional air hose to reach high locations.
Operate the compressor in an open area at least 18 in. away from any wall or object that could restrict the flow of fresh air to the ventilation openings. Do not place rags or other objects on or near these openings.

⚠ WARNING: A portable compressor can fall from a table, workbench, or roof causing damage to the compressor and could result in serious injury or death to the operator.

NOTE: When operating or storing the compressor, set 4 rubber bumpers downward on the floor (Refer to Fig. 1)

7. Temperature
Operating temperatures are between 32°F and 104°F (0°C and 40°C).

⚠ CAUTION: Never operate in temperatures below 32°F (0°C) or above 104°F (40°C).

8. Air hose
Check the air hose for weak or worn condition before each use, making certain all connections are secure. Do not use it if a defect is found. Purchase a new air hose or notify a Hitachi authorized service center for examination or repair.

Make sure the air hose is free of obstructions or snags.

If it is entangled or snarled, the air hose can cause loss of balance or footing and may become damaged. Keep the air hose away from sharp objects, chemical spills, oil, solvents, and wet floors.

9. Breaking in the pump.
 - (1) Turn the knob of the pressure reducer fully clockwise to open air flow.
 - (2) Place the knob of the pressure switch in the "OFF" position and insert the plug into the receptacle.
 - (3) Open the drain cock completely.
 - (4) Turn the air compressor ON and run it for 10 minutes to break in the pump parts.
 - (5) Place the knob of the pressure switch in the "OFF" position.
 - (6) Close the drain cock.

TRANSPORT

Turn off the pressure switch, and disconnect the plug from the power source before transport the compressor. Transport the compressor in the correct manner.

When transporting the compressor, grasp the handle.

⚠ WARNING: Risk of unsafe operation. Ensure proper footing and use caution when carrying compressor to avoid a loss of balance.
Do not carry while painting.

OPERATION

1. Start-up

Insert the plug into the receptacle and start the compressor using the knob of the pressure switch. (Refer to Fig. 2).

⚠ WARNING: Do not stop or start the compressor by use of the plug. Always use "ON/OFF" knob located on the pressure switch.

The operation of the compressor is automatic and is controlled by the pressure switch which stops it when the pressure in the air-tank reaches the maximum level and restart it when the air pressure drops during use to the restart level.

The motor has a thermal protector. The thermal protector will stop the motor when the temperature is too high for any reason.

The motor must be allowed to cool down before restarting.

⚠ CAUTION: Wear appropriate personal hearing protection during use. Under some conditions and duration of use, noise from this product may contribute to hearing loss.

2. Adjustment of outlet pressure

Adjust the outlet pressure to the required level by turning the knob of the pressure reducer clockwise to increase the outlet pressure and counterclockwise to decrease it. A pressure gauge (B) is provided to show when the required pressure is reached.

When adjusting the pressure, check and make sure that a pressure gauge (A) for the tank has the pressure level that is higher than that of the pressure to be adjusted. It is also imperative that you make adjustment by slowly starting up the pressure from the level that is lower than the pressure to be adjusted.

⚠ WARNING: Check the manufacturer's maximum pressure rating for nailers, staplers and accessories. Compressor outlet pressure must be regulated so as to never exceed the maximum pressure rating of the nailers, staplers and accessories.

⚠ WARNING: Make sure the air flow to the pressure reducer is completely closed (the pressure gauge (B) attached reads 0 psi) before attaching and disconnecting the air hose and applications.

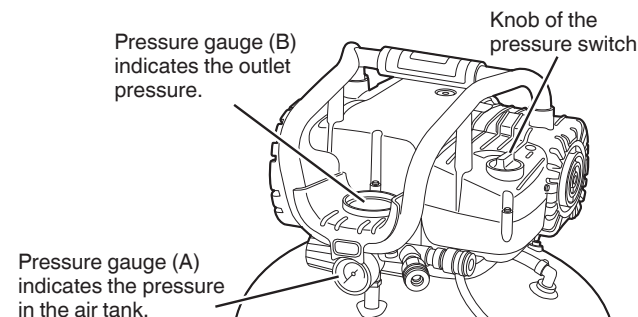
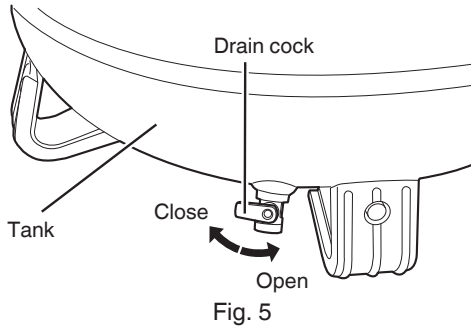


Fig. 4

3. Shutdown
 - (1) Place the knob of the pressure switch in the "OFF" position. (Refer to Fig. 2).
 - (2) Unplug the plug from power source.
 - (3) Open the drain cock located at the lower part of the tank (Fig. 5). Tank pressure should be below 10 psi when draining the tank.

⚠ WARNING: Risk of bursting. When the tank gets corroded, there is a risk of breakdown. Water will condense in the air tank. If not drained, water will corrode and weaken the air tank causing a risk of air tank rupture. Drain tank daily or after 4 hours of use. The drain contains moisture in the air, abrasion particles, rust, etc.. To drain tank open valve slowly and tilt compressor to empty accumulated water. Keep face and eyes away from drain cock.



4. About the thermal protector
The thermal protector operates to stop the motor when a problem such as a motor overload, etc. occurs. If the motor should stop during operation, proceed as follows.
 - (1) Place the knob of the pressure switch in the "OFF" position and disconnect the plug from the receptacle (Fig. 2).
 - (2) Check for the following possible causes first: lack of proper ventilation, or an outside-air or room temperature that is too high.

2. Maintenance chart:

MAINTENANCE CHART

PROCEDURE	AFTER USE	DAILY	WEEKLY
Drain condensation in air tank	x	x	
Inspect guards/shrouds		x	
Check for unusual noise/vibration		x	
Check for air leaks		x	
Clean exterior of compressor			x
Check safety valve		x	

SERVICE AND REPAIRS

All quality compressors will eventually require servicing or replacement of parts because of wear and tear from normal use. To assure that only genuine replacement parts will be used, all service and repairs must be performed by a HITACHI AUTHORIZED SERVICE CENTER, only.

NOTE: Specifications are subject to change without any obligation on the part of the HITACHI.

- (3) If the extension cord does not conform to the specifications given on page 7 replace with an extension cord such as that shown on page 7. If the capacity of the power supply is insufficient, increase the power supply capacity to remove the cause of a flow of excessive current (over-current).
- (4) Wait approximately 30 minutes.
- (5) Start up. If the motor still stops during operation, please contact the service center.

MAINTENANCE

⚠ WARNING: Disconnect the compressor from the power source and remove the compressed air from the air tank before performing the maintenance operations. Allow the compressor to cool before performing the maintenance operations.

1. Draining tank
Drain tank daily or after 4 hours of use. Open drain cock and tilt compressor to empty accumulated water (Refer to Fig. 5). Tank pressure should be below 10 psi when draining the tank.

INFORMATIONS IMPORTANTES

Lire attentivement toutes les instructions de fonctionnement, les consignes de sécurité et les mises en garde contenues dans ce manuel avant de faire fonctionner le compresseur ou de procéder à son entretien.

La majorité des accidents résultant de l'utilisation ou de l'entretien du compresseur sont dus au non respect des consignes et règles de sécurité élémentaires. En identifiant à temps les situations potentiellement dangereuses et en observant les consignes de sécurité appropriées, on évite bien souvent des accidents.

Les consignes élémentaires de sécurité sont décrites dans la section «SÉCURITÉ» de ce manuel ainsi que dans les sections renfermant les instructions d'utilisation et d'entretien.

Les situations dangereuses à éviter pour prévenir tout risque de blessure grave ou de dommages de la machine sont signalées par des «AVERTISSEMENT» sur le compresseur et dans le manuel d'utilisation.


Ne jamais utiliser le compresseur d'une manière autre que celles spécifiquement recommandées par Hitachi, à moins de s'être préalablement assuré que l'utilisation envisagée ne sera dangereuse ni pour soi ni pour les autres.

SIGNIFICATION DU VOCABULAIRE DE SIGNALISATION

- AVERTISSEMENT** indique des situations potentiellement dangereuses qui, si ignorées, pourraient entraîner la mort ou des blessures graves.
- PRÉCAUTION** indique une situation potentiellement dangereuse qui, si elle n'est pas évitée, risque d'entraîner des blessures légères ou modérées, ou d'endommager l'outil.
- REMARQUE** souligne une information essentielle.

SYMBOLES

Certains des symboles ci-dessous peuvent être utilisés sur l'outil. Veiller à les étudier et à apprendre leur signification. Une adéquate connaissance de ces vous permettra d'utiliser mieux cet outil.

SYMBOLE	NOM	DÉSIGNATION / EXPLICATION
	Surface brûlante	Pour éviter les risques de blessures ou de dommages, éviter tout contact avec les surfaces brûlantes.

SÉCURITÉ

CONSIGNES DE SÉCURITÉ IMPORTANTES POUR L'UTILISATION DU COMPRESSEUR

⚠ AVERTISSEMENT: Une utilisation du compresseur de manière incorrecte ou qui ne respecte pas les consignes de sécurité peut entraîner la mort ou de graves blessures. Pour éviter tout danger, observer ces consignes élémentaires de sécurité:

BIEN LIRE TOUTES LES INSTRUCTIONS

1. **NE TOUCHEZ PAS LES PARTIES EN MOUVEMENT.**
Ne posez jamais les mains, les doigts ou toutes autres parties du corps à proximité des parties en mouvement du compresseur.
Ne jamais insérer vos doigts ou des objets dans le carter du ventilateur. Telles actions sont très dangereuses et portent shocks électriques.
2. **NE JAMAIS FAIRE FONCTIONNER LE COMPRESSEUR SI TOUS LES GARDES PROTECTEURS NE SONT PAS EN PLACE.**
Ne jamais faire fonctionner le compresseur si tous les gardes protecteurs ou dispositifs de sécurité ne sont pas en place et en bon état. Si une opération d'entretien ou de réparation nécessite le démontage d'un garde protecteur ou d'un dispositif de sécurité, bien tous les remonter avant de remettre le compresseur en marche.
3. **PORTEZ TOUJOURS DES PROTECTIONS.**
Porter impérativement des lunettes de protection homologuées conformes à la norme ANSI Z87.1 avec protections latérales ou une protection oculaire équivalente. Ne dirigez jamais l'air comprimé vers des personnes ou parties du corps. Utilisez des protections auriculaires adéquates à cause du bruit important provoqué par le flux d'air durant le drainage.
4. **SE PROTÉGER CONTRE LES DÉCHARGES ÉLECTRIQUES.**
Empêcher tout contact du corps avec les surfaces mises à la terre, par exemple les tuyaux, radiateurs, plaques de cuisson et enceintes de réfrigération.
Ce compresseur d'air doit être adéquatement mis à la terre. Ne jamais exposer le compresseur à la pluie. Ne jamais faire fonctionner le compresseur dans un endroit humide ou sur une surface mouillée.
Pour réduire le risque de décharge électrique, ne retirez pas le carter.
5. **DÉBRANCHER LE COMPRESSEUR.**
Toujours débrancher le compresseur de sa source d'alimentation et évacuer l'air comprimé de son réservoir avant toute opération de réparation, d'inspection, d'entretien, de nettoyage, de remplacement ou de vérification des pièces.
6. **ÉVITER TOUTE MISE EN MARCHÉ ACCIDENTELLE.**
Ne pas transporter le compresseur alors qu'il est encore raccordé à sa source d'alimentation ou que le réservoir d'air comprimé est plein. Bien s'assurer que le sélecteur de l'interrupteur barométrique se trouve sur la position «OFF» (arrêt) avant de raccorder le compresseur à son alimentation.
7. **ENTREPOSER CORRECTEMENT LE COMPRESSEUR.**
Lorsqu'il n'est pas utilisé, le compresseur doit être rangé à l'intérieur dans un endroit sec. Veiller à ce qu'il soit hors de portée des enfants. Fermer à clé le local d'entreposage.
8. **MAINTENIR L'AIRE DE TRAVAIL PROPRE.**
Une aire de travail encombrée augmente les risques d'accident. La débarrasser des outils inutiles, débris, meubles, etc.
9. **PRETEZ UNE ATTENTION PARTICULIÈRE AUX CONDITIONS ENVIRONNEMENTALES.**
La zone de travail doit être bien éclairée et correctement aérée.
Faites fonctionner le compresseur dans un espace ouvert à au moins 457 mm (18 pouces) de tout mur ou objet susceptibles de restreindre le flux d'air frais vers les ouvertures d'aération. Ne placez pas de chiffons ou d'autres objets sur ou à proximité de ces ouvertures.
Risque d'incendie ou d'explosion. Ne portez pas et n'utilisez pas le compresseur ou tout autre dispositif électrique à proximité de la zone d'intervention du spray. N'utilisez pas le compresseur en présence de liquide ou de gaz inflammables.
Ne positionnez jamais d'objet contre ou sur le compresseur.
Lorsqu'il est en service, le compresseur produit des étincelles. Ne l'utilisez jamais dans les lieux où se trouvent des laques, peintures, carburants, solvants, de l'essence, du gaz, des agents collants ou autres matières combustibles ou explosives.
Faites toujours fonctionner le compresseur dans une position stable et sécurisée pour éviter un déplacement accidentel de l'appareil. Ne faites jamais fonctionner le compresseur sur un toit ou tout autre endroit en hauteur. N'utilisez jamais le compresseur sur une échelle ou un support instable. Utilisez un tuyau d'air supplémentaire pour atteindre les endroits élevés.
Ce compresseur contenant certains composants susceptibles de produire des arcs ou des étincelles, s'il se trouve dans un garage, il doit être placé dans une pièce ou un espace prévu à cet effet et doit être à 457 mm (18 pouces) ou plus au-dessus du sol.

10. ÉLOIGNEZ AUTANT QUE POSSIBLE LES COMPRESSEURS DE LA ZONE DE PULVERISATION.

Risque d'incendie ou d'explosion. Ne pulvérisez pas de liquide inflammable dans un espace confiné. La zone de pulvérisation doit être bien aérée. Ne fumez pas pendant la pulvérisation, ni ne pulvérisez en présence d'étincelles ou de flammes. Utilisez un tuyau de pistolet pulvérisateur d'au moins 7.6 m (25 pieds) de long et éloignez le compresseur/moteur d'au moins 6.1 m (20 pieds) des vapeurs d'explosif. N'utilisez pas ce compresseur d'air pour pulvériser des produits chimiques. Vos poumons pourraient souffrir des lésions suite à l'inhalation des fumées toxiques.

Un masque filtrant peut s'avérer nécessaire dans les environnements poussiéreux ou lors de la pulvérisation de peinture. Ne le transportez pas en peignant.

11. ÉLOIGNER LES ENFANTS.

Ne pas laisser les visiteurs toucher au cordon de rallonge du compresseur.

Tous les visiteurs devront se tenir suffisamment éloignés de l'aire de travail.

12. SE VÊTIR CORRECTEMENT.

Ne porter ni vêtements lâches ni bijoux. Ils pourraient se prendre dans les pièces mobiles.

Porter un coiffe recouvrant les cheveux longs.

13. FAIRE ATTENTION AU CORDON.

Ne jamais tirer brusquement sur le cordon pour le débrancher. Tenir le cordon loin des sources de chaleur, de graisse et des surfaces tranchantes.

14. ENTREtenir LE COMPRESSEUR AVEC SOIN.

Suivez le tableau d'entretien (voir page 22).

Inspecter régulièrement les cordons et, s'ils sont endommagés, les faire réparer dans un centre de service après-vente agréé. Inspecter périodiquement les cordons de rallonge et les faire réparer s'ils sont endommagés.

15. CORDONS DE RALLONGE POUR UTILISATION À L'EXTÉRIEUR.

Si l'outil doit être utilisé dehors, utiliser exclusivement des cordons de rallonge conçus pour l'extérieur et identifiés comme tels.

16. FAITES TOUJOURS ATTENTION.

Prêtez attention à ce que vous faites. Travaillez en connaissance de cause et avec du bon sens. Ne restez pas debout sur le compresseur. Ne laissez pas le compresseur fonctionner sans surveillance. N'utilisez pas le compresseur en cas de fatigue. N'utilisez jamais le compresseur sous l'effet de l'alcool, de drogues ou de médicaments avec risque de somnolence.

17. CONTRÔLER LES PIÈCES ENDOMMAGÉES ET LES FUITES D'AIR.

Avant de continuer à utiliser le compresseur, inspecter attentivement les protections ou autres pièces endommagées pour s'assurer que le compresseur pourra fonctionner correctement et effectuer le travail pour lequel il est conçu. Vérifiez l'alignement et le couplage des pièces mobiles, la présence de pièces brisées, le montage, les fuites d'air et tout autre élément susceptible d'altérer le bon fonctionnement.

Les protections ou autre composant endommagé doivent être réparés selon les règles de l'art ou remplacés par un centre de service après-vente autorisé Hitachi.

Tous les switches doivent être remplacés par un centre de service après-vente autorisé Hitachi.

Ne utiliser pas le compresseur si le switch est bloqué et on ne peut pas le positionner en position on/off.

18. N'UTILISEZ JAMAIS LE COMPRESSEUR POUR DES APPLICATIONS AUTRES QUE CELLES SPECIFIÉES.

N'utilisez jamais le compresseur pour des applications autres que celles spécifiées dans le manuel d'instructions.

Suivez toutes les consignes de sécurité de ce mode d'emploi et les instructions du fabricant dans le manuel d'application.

N'utilisez jamais l'air comprimé pour la respiration/respiration artificielle.

19. MANIPULER LE COMPRESSEUR CORRECTEMENT.

Faire fonctionner le compresseur conformément aux instructions de ce manuel. Ne jamais laisser les enfants, les personnes non familiarisées avec son fonctionnement ou toute personne non autorisée utiliser le compresseur.

20. MAINTENEZ TOUS LES BOULONS, VIS ET GARDES PROTECTEURS FERMEMENT EN PLACE.

Maintenez tous les boulons, vis et gardes protecteurs fermement serrés. Vérifier périodiquement le serrage.

21. MAINTENIR L'ÉVENT D'AÉRATION DU MOTEUR PROPRE.

L'évent d'aération du moteur doit rester propre en permanence de façon à ce que l'air puisse circuler librement. Contrôler fréquemment l'accumulation de poussière.

22. FAIRE FONCTIONNER LE COMPRESSEUR À LA TENSION NOMINALE.

Faire fonctionner le compresseur à la tension spécifiée sur la plaque signalétique.

Si le compresseur est utilisé à une tension supérieure à la tension nominale, il en résultera une vitesse de rotation du moteur anormalement élevée risquant d'endommager le compresseur et de griller le moteur.

Si le compresseur est raccordé à un circuit protégé par fusible, utilisez des fusibles temporisés. Les fusibles temporisés sont marqués d'un « D » au Canada et d'un « T » aux États-Unis.

23. NE JAMAIS UTILISER UN COMPRESSEUR DÉFECTUEUX OU DONT LE FONCTIONNEMENT EST ANORMAL.

Si vous constatez que le compresseur fonctionne de manière inhabituelle, émet des bruits ou vibrations étranges ou semble défectueux, cessez immédiatement de l'utiliser et sollicitez sa réparation auprès d'un service après-vente Hitachi agréé.

24. NE PAS NETTOYER LES PIÈCES DE PLASTIQUE AVEC DU SOLVANT.

Les solvants tels qu'essence, diluant, benzine, tétrachlorure de carbone et alcool risquent d'endommager et de fendre les pièces de plastique. Ne pas les nettoyer avec ce genre de produit.

Pour nettoyer les pièces de plastique, utiliser un linge doux humecté d'eau savonneuse puis sécher complètement.

25. UTILISER EXCLUSIVEMENT DES PIÈCES DE RECHANGE HITACHI D'ORIGINE.

L'utilisation de pièces de rechange autres que celles fabriquées par Hitachi peut entraîner l'annulation de la garantie et être la cause d'un mauvais fonctionnement et des blessures en résultant. Les pièces d'origine Hitachi sont disponible auprès de son distributeur.

26. NE MODIFIEZ PAS LE COMPRESSEUR.

Ne modifiez pas le compresseur. Ne pas percer, souder, réparer ou modifier les réservoirs d'air. Ne pas faire des ajustements à des composants qui contrôlent la pression du réservoir. Ne pas apporter de modifications aux réglages d'usine de la pression de fonctionnement. Ne le mettez pas en service à une pression ou une vitesse excessive par rapport aux recommandations du fabricant. Contactez toujours le centre de service après-vente agréé Hitachi pour toutes les réparations. Une modification non autorisée peut non seulement compromettre les performances du compresseur mais aussi provoquer des accidents ou blessures au personnel chargé des réparations et ne possédant pas les connaissances et la compétence technique requises pour effectuer correctement les interventions de réparation.

27. ÉTEIGNEZ L'INTERRUPTEUR DE PRESSION LORSQUE VOUS N'UTILISEZ PAS LE COMPRESSEUR.

Lorsque vous n'utilisez pas le compresseur, mettez l'interrupteur de pression en position «OFF», débranchez la fiche de la source d'alimentation et ouvrez le robinet de vidange pour évacuer l'air comprimé provenant du réservoir.

28. NE TOUCHEZ JAMAIS LES SURFACES CHAUDES.

Pour écarter tout risque de brûlure, ne touchez pas le tuyau d'alimentation, le clapet de retenue ou la pompe. Ces zones peuvent rester chaudes pendant au moins 45 minutes après avoir éteint le compresseur. Laissez le compresseur refroidir avant de le dépanner.

29. NE DIRIGEZ JAMAIS LE JET D'AIR VERS DES PARTIES DU CORPS.

Risque de blessure. Ne dirigez pas le jet d'air sur des personnes ou des animaux.

30. VIDEZ LE RESERVOIR.

Risque d'explosion. L'eau se condense dans le réservoir d'air. S'il n'est pas vidé, le réservoir d'air est corrodé et usé par l'eau qui l'expose à des risques de ruptures. Videz le réservoir tous les jours et toutes les 4 heures d'utilisation. Pour vidanger le réservoir d'air, ouvrez lentement les soupapes et inclinez le compresseur pour vider l'eau accumulée. Éloignez le visage et d'autres parties du corps de la sortie de vidange. Portez des lunettes de sécurité ANSI Z87.1 avec protections latérales lors de la vidange, car des débris peuvent être projetés sur votre visage.

31. NE PAS ARRÊTER LE COMPRESSEUR EN TIRANT SUR LA FICHE.

Cela pourrait endommager l'appareil. Utiliser la position «ON/OFF» du sélecteur de l'interrupteur barométrique.

32. VERIFIEZ QUE LA PRESSION DE SORTIE DU COMPRESSEUR EST PROGRAMMEE À UNE VALEUR INFÉRIEURE À LA PRESSION DE FONCTIONNEMENT MAXIMALE DE L'INSTRUMENT.

Une pression de l'air excessive provoque un danger d'explosion. Contrôlez la pression maximale nominale indiquée par le fabricant pour les instruments pneumatiques et les accessoires. La pression de sortie du régulateur ne doit jamais dépasser la valeur de la pression nominale maximale.

33. LA VANNE DE SECURITE DOIT FONCTIONNER CORRECTEMENT.

Risque d'explosion. Avant de démarrer le compresseur, tirez l'anneau sur la soupape de sécurité pour vous assurer que la soupape de sécurité fonctionne correctement. Si la soupape de sûreté ne fonctionne pas correctement, cela présente un risque de surpression pouvant rompre le réservoir d'air ou provoquer une explosion. Ne pas utiliser le compresseur si la soupape de sécurité est coincée ou ne bouge pas librement. Ayez toute soupape de sécurité défectueuse remplacée par un centre de service agréé Hitachi.

34. L'UTILISATION DE CE PRODUIT EXPOSE L'OPERATEUR A DES PRODUITS CHIMIQUES SIGNALES PAR L'ETAT DE LA CALIFORNIE.

La poussière produite par cet appareil contient des substances chimiques qui, sur la base de ce que sait l'Etat de la Californie, causent l'apparition de cancers, de défauts congénitaux ou d'autres lésions à l'appareil reproducteur. Voici quelques exemples de ces substances chimiques:

- composés contenus dans les fertilisants
- composés contenus dans les insecticides, les herbicides et pesticides
- l'arsenic et le chrome contenus dans le bois traité chimiquement

Pour réduire l'exposition à ces produits chimiques, il est impératif de porter des équipements homologués de protection individuelle, comme les masques de protection anti-poussière spécifiquement conçus pour bloquer les particules microscopiques. L'utilisation de ce produit expose l'opérateur à des produits chimiques qui, sur la base de ce que sait l'Etat de la Californie, causent l'apparition de cancers, de défauts congénitaux ou d'autres lésions à l'appareil reproducteur. Eviter de respirer les vapeurs et la poussière et se laver soigneusement les mains après l'utilisation. Ce produit contient des substances chimiques, y compris du plomb qui sur la base de ce que sait l'Etat de la Californie, causent l'apparition de cancers, de défauts congénitaux ou d'autres lésions à l'appareil reproducteur. Se laver les mains après toute manipulation.

PIÈCES DE RECHANGE

Pour les réparations, utiliser uniquement des pièces de rechange identiques aux pièces remplacées. Confier toute réparation à un centre de service après-vente Hitachi agréé.

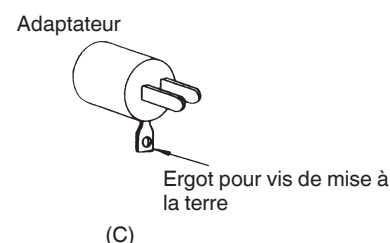
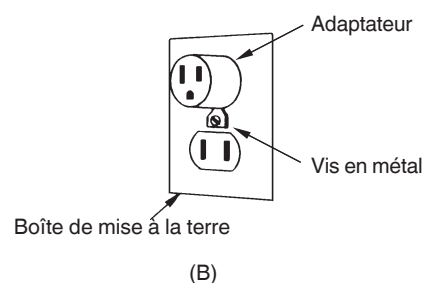
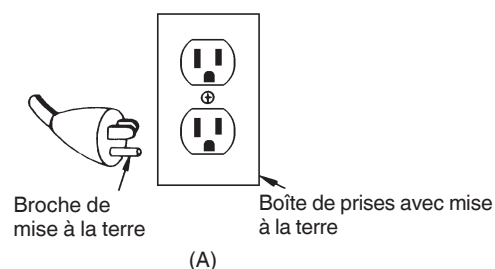
SÉCURITÉ — Suite

INSTRUCTIONS DE MISE À LA TERRE

Ce compresseur devra être mis à la terre pendant le fonctionnement de manière à protéger l'opérateur des décharges électriques. Le compresseur est doté d'un cordon à trois conducteurs et d'une fiche à trois broches qui s'insère dans une prise de courant avec mise à la terre. Le conducteur vert (ou vert et jaune) du cordon est le fil de terre. Ne jamais raccorder le fil vert (ou vert et jaune) à une prise sous tension. Si l'appareil fonctionne sous moins de 150 volts, il possède une fiche qui ressemble à celle du schéma (A) de la figure de droite. Un adaptateur (voir schémas (B) et (C)) est disponible en option pour le raccordement d'une fiche de type (A) à une prise sans mise à la terre externe. Il faudra raccorder l'oeillet ou la patte, etc. rigide de couleur verte qui fait saillie sur l'adaptateur à une terre permanente, par exemple une boîte de prises correctement mise à la terre.

REMARQUE: L'adaptateur de mise à la terre (schéma (C)) est interdit aux termes du Code électrique canadien, partie 1. Par conséquent, les instructions qui s'y rapportent ne sont pas applicables au Canada.

Il est recommandé de ne jamais démonter le compresseur ou d'essayer de refaire le câblage du système électrique. Les réparations doivent être effectuées uniquement par des centres de service après-vente Hitachi. Si l'on décide de faire la réparation soi-même, bien avoir à l'esprit que le fil de couleur verte est le fil de «terre». Ne jamais raccorder ce fil vert à une prise «sous tension». Si l'on remplace la fiche du cordon d'alimentation, bien raccorder le fil vert uniquement à la broche de terre (la plus longue) d'une fiche avec mise à la terre. En cas de doute, consulter un électricien qualifié ou faire vérifier la mise à la terre de la prise.



CORDON DE RALLONGE

Utiliser exclusivement des cordons de rallonge avec fiche de mise à la terre à trois broches et des prises à trois pôles capables de recevoir la fiche du compresseur. Remplacer ou faire remplacer le cordon s'il est endommagé.

Vérifier que le cordon de rallonge est en bon état. Lorsqu'on utilise un cordon de rallonge, veiller à ce que la valeur de son courant maximal admissible soit suffisamment élevée pour qu'il puisse supporter le courant dont l'appareil aura besoin. L'utilisation d'un cordon sous dimensionné provoquera une chute de tension en ligne entraînant perte de puissance et surchauffe. Le tableau indique le calibre à utiliser en fonction de la longueur du cordon et de l'intensité nominale indiquée sur la plaque signalétique. En cas de doute, utiliser un cordon de calibre supérieur. Plus le numéro de calibre est petit, plus le cordon peut supporter un courant élevé.

JAUGE MINIMUM POUR LES RALLONGES

Intensité nominale Supérieure à	Longueur totale du cordon en pieds (mètres)			
	0 – 25 (0 – 7.6)	26 – 50 (7.9 – 15.2)	51 – 100 (15.5 – 30.5)	101 – 150 (30.8 – 45.7)
Inférieure ou égale à	Taille du câble (CALIBRE)			
0 – 6	14	14	14	12
6 – 10	14	14	12	10
10 – 12	14	12	10	
12 – 16	14	12	Non recommandé	

⚠ AVERTISSEMENT: Éviter tout risque de décharge électrique. Ne jamais utiliser le compresseur avec un cordon électrique ou un cordon de rallonge endommagé ou dénudé. Inspecter régulièrement les cordons électriques. Ne jamais utiliser dans l'eau ou à proximité de l'eau, ou dans un environnement susceptible de provoquer des décharges électriques.

**CONSERVER CES INSTRUCTIONS
ET
LES METTRE À LA DISPOSITION
DES PERSONNES QUI VONT UTILISER L'APPAREIL!**

UTILISATION ET ENTRETIEN

REMARQUE:

Les informations que vous trouverez dans ce manuel sont conçues pour vous aider à utiliser et à entretenir ce compresseur en toute sécurité.

Certaines illustrations de ce manuel peuvent montrer des détails qui diffèrent de ceux de votre compresseur.

NOM DES PIÈCES

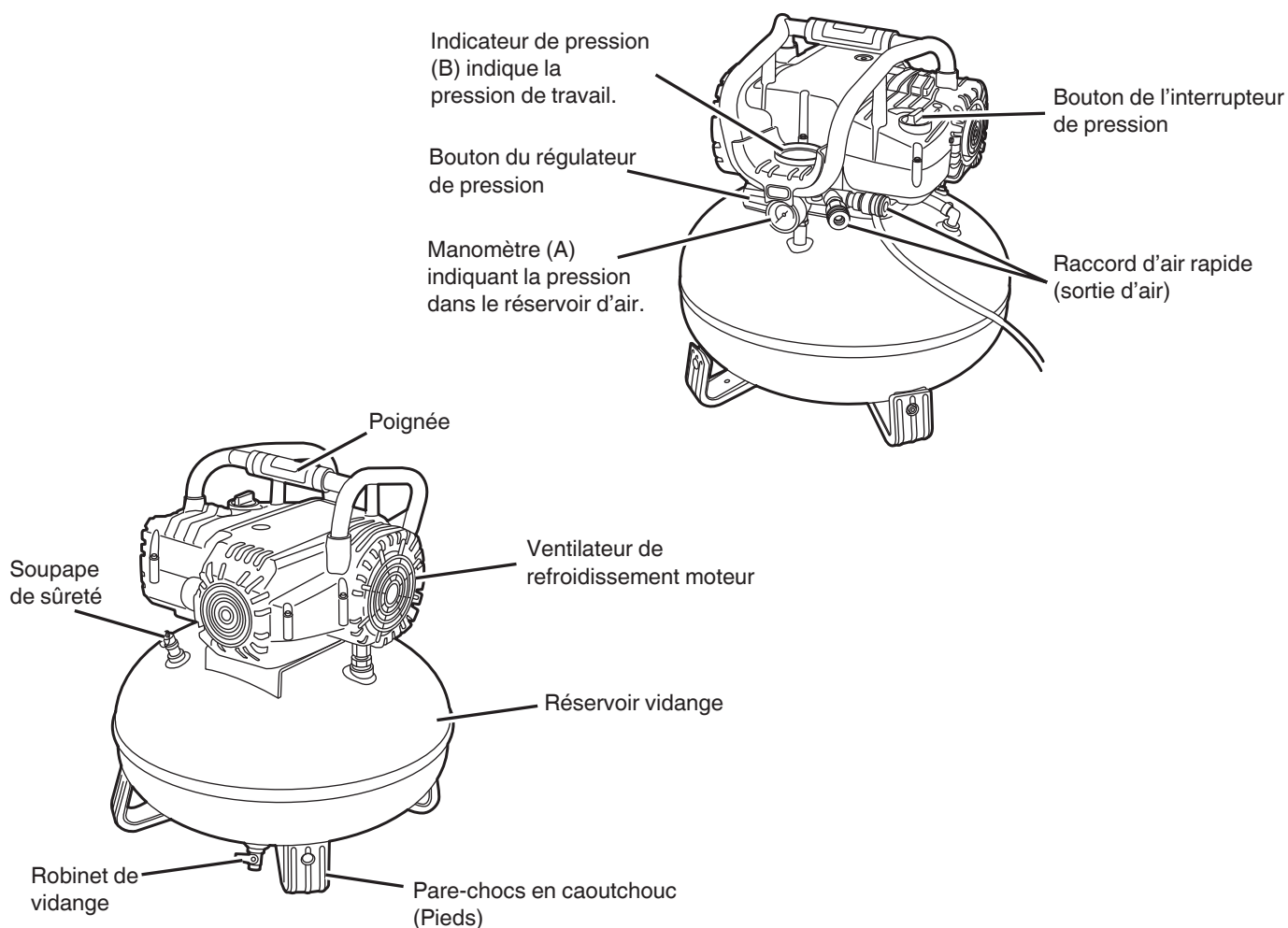


Fig. 1

SPÉCIFICATIONS

Modèle	EC 710S	
Moteur	Moteur universel monophasé	
Alimentation	Monophasée. 120 V AC 60 Hz	
Puissance nominale	1.0 CV (0.74 KW)	
Courant	12 A	
Contenance du réservoir	6 gal. (22.7 L)	
Pression maximale	150 PSI (10.3 bars)	
Refoulement d'air libre	à 40 PSI (2.8 bar)	3.7 CFM (104.8 L/min)
	à 90 PSI (6.2 bar)	2.8 CFM (79.3 L/min)
Lubrification	Sans huile	

APPLICATION

Les compresseurs d'air sont utilisés dans un éventail d'application de système d'aération.

Faites correspondre les tuyaux, connecteurs, outils pneumatiques et accessoires à la capacité du compresseur d'air.

Vous pouvez utiliser cet outil pour les activités répertoriées ci-dessous:

Utilisation d'outils alimentés par air nécessitant moins de 2,8 SCFM @ 90 PSI ou 3,7 SCFM @ 40 PSI.

Alimentation de pistolets cloueurs pneumatiques, gonflage de pneus, nettoyage/soufflage par air pressurisé.

⚠ AVERTISSEMENT:

Suivez toujours l'ensemble des règles de sécurité recommandées par le fabricant de votre outil, en plus de toutes les règles de sécurité pour le compresseur d'air.

En respectant ces règles, vous réduisez les risques de graves blessures.

AVANT L'UTILISATION

1. Source d'alimentation

Vérifier que la source d'alimentation que l'on prévoit d'utiliser est conforme aux spécifications mentionnées sur la plaque signalétique de l'appareil.

REMARQUE: Si le compresseur est raccordé à un circuit protégé par fusible, utilisez des fusibles temporisés.

Les fusibles temporisés sont marqués d'un « D » au Canada et d'un « T » aux États-Unis.

2. Interrupteur d'alimentation

Vérifier que le sélecteur de l'interrupteur barométrique se trouve sur la position «OFF» (Fig. 2). Si l'on branche la ficha dans la prise alors que le sélecteur de l'interrupteur barométrique se trouve sur «ON», le compresseur se mettra en marche immédiatement, risquant de causer de graves blessures.

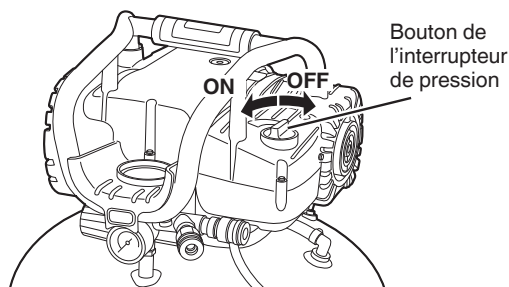


Fig. 2

3. Cordon de rallonge

Si l'aire de travail est éloignée de la source d'alimentation, utiliser un cordon de rallonge de diamètre et de courant nominal suffisants (Voir page 17). Le cordon de rallonge devra être le plus court possible.

⚠ AVERTISSEMENT:

Tout cordon endommagé devra être remplacé ou réparé.

4. Vérifier la prise d'alimentation

Si la fiche ne peut s'insérer solidement dans la prise d'alimentation, réparer la prise. Confier les réparations à un magasin d'appareils électriques.

Si l'on utilise une prise défectueuse, on risque des provoquer une surchauffe, ce qui pourrait être très dangereux.

5. Vérification de la soupape de sûreté

Avant de démarrer le compresseur, tirez l'anneau sur la soupape de sécurité pour vous assurer que la soupape de sécurité fonctionne en douceur. (Fig. 3) Ne pas utiliser le compresseur si la soupape de sécurité est coincée ou ne bouge pas librement. Ayez toute soupape de sécurité défectueuse remplacée par un centre de service agréé Hitachi.

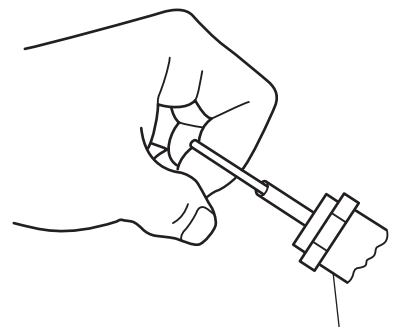


Fig. 3

⚠ AVERTISSEMENT:

Vider le réservoir pour libérer la pression d'air avant de tirer l'anneau sur la soupape de sécurité.

⚠ AVERTISSEMENT:

Risque d'explosion.

Si la soupape de sûreté ne fonctionne pas correctement, cela présente un risque de surpression pouvant rompre le réservoir d'air ou provoquer une explosion.

6. Position de fonctionnement correcte

Faites toujours fonctionner le compresseur dans une position stable et sécurisée pour éviter un déplacement accidentel de l'appareil. Ne faites jamais fonctionner le compresseur sur un toit ou tout autre endroit en hauteur. N'utilisez jamais le compresseur sur une échelle ou un support instable. Utilisez un tuyau d'air supplémentaire pour atteindre les endroits élevés.

Faites fonctionner le compresseur dans un espace ouvert à au moins 45 cm (18 pouces) de tout mur ou objet susceptibles de restreindre le flux d'air frais vers les ouvertures d'aération. Ne placez pas de chiffons ou d'autres objets sur ou à proximité de ces ouvertures.

⚠ AVERTISSEMENT:

Un compresseur portable peut tomber d'une table, d'un établi ou d'un toit infligeant des dommages au compresseur et pouvant entraîner des blessures corporelles ou mortelles pour l'opérateur.

REMARQUE: Quand on utilise ou on range le compresseur, appliquer les 4 protections en caoutchouc, en bas, sur le sol (Consulter la Fig. 1).

7. Température
Les températures de fonctionnement sont comprises entre 0 et 40°C (32 et 104°F).

⚠ PRÉCAUTION: Ne jamais mettre en marche si la température est inférieure à 0°C (32°F) ou supérieure à 40°C (104°F).

8. Tuyau d'air
Vérifiez l'usure ou la faiblesse du tuyau d'air avant chaque utilisation, en vous assurant que tous les raccordements sont solides. Ne l'utilisez pas si vous trouvez une défaillance. Achetez un tuyau d'air neuf ou confiez son examen ou sa réparation à un service après-vente Hitachi agréé. Assurez-vous que le tuyau d'air n'est pas bouché ou coincé.
Un tuyau d'air enchevêtré ou emmêlé peut vous faire perdre l'équilibre et subir des dommages. Éloignez le tuyau d'air des objets tranchants, des déversements de produits chimiques, d'huile, de solvants et des sols mouillés.

9. Rodage de la pompe
- (1) Tournez complètement dans le sens des aiguilles d'une montre le bouton du régulateur de pression pour ouvrir le flux d'air.
 - (2) Placez le bouton de l'interrupteur de pression sur la position « OFF » et insérez la fiche dans la prise.
 - (3) Ouvrez complètement le robinet de vidange.
 - (4) Mettez le compresseur d'air sous tension et faites-le tourner pendant 10 minutes pour roder les pièces de la pompe.
 - (5) Placez le bouton de l'interrupteur de pression sur la position « OFF ».
 - (6) Fermez le robinet de vidange.

TRANSPORT

Mettez l'interrupteur de pression en position «OFF», et débranchez la fiche de la source d'alimentation avant le transport du compresseur.
Transportez le compresseur correctement.

Lors du transport du compresseur, saisir la poignée.

⚠ AVERTISSEMENT:

Risque de fonctionnement dangereux. Garder une bonne assise et redoubler de précaution lors du transport du compresseur pour éviter de perdre l'équilibre.

Ne le transportez pas en peignant.

UTILISATION

1. Démarrage
Insérez la fiche dans la prise et démarrez le compresseur au moyen du bouton de l'interrupteur de pression. (Voir Fig. 2).

⚠ AVERTISSEMENT:

Ne pas arrêter ou démarrer le compresseur au moyen de la fiche. Toujours utiliser la position «ON/OFF» du sélecteur de l'interrupteur barométrique.

Le fonctionnement du compresseur est automatique, il est contrôlé par l'interrupteur barométrique qui l'arrête lorsque la pression de l'air contenu dans le réservoir atteint la valeur maximale, et qui le redémarre lorsque cette pression retombe sous le seuil de redémarrage en cours d'utilisation.

Le moteur comporte un protecteur thermique. Le protecteur thermique arrêtera le moteur si la température augmente trop pour quelque raison que ce soit.

Laisser le moteur refroidir avant de redémarrer le compresseur.

⚠ PRÉCAUTION: Portez une protection de l'ouïe adéquate durant l'utilisation. Dans certaines conditions et selon la durée d'utilisation, le bruit de ce produit peut provoquer une perte auditive.

2. Réglage de la pression de sortie
Réglez la pression de sortie au niveau requis en tournant le bouton du régulateur de pression dans le sens des aiguilles d'une montre pour augmenter la pression de sortie et dans le sens inverse des aiguilles d'une montre pour la diminuer.
Un manomètre (B) est fourni pour indiquer le moment où la pression requise est atteinte.
Lorsqu'on vérifie la pression, bien s'assurer que l'indicateur de pression (A) du réservoir a un niveau de pression supérieur à celui de la pression à régler.
De même, il faudra impérativement effectuer le réglage en démarrant la pression lentement à partir d'un niveau inférieur à la pression à régler.

⚠ AVERTISSEMENT:

Contrôlez la pression nominale maximale indiquée par le fabricant pour les cloueuses, agrafeuses et accessoires. La pression de sortie du compresseur doit être réglée de façon qu'elle ne dépasse jamais la pression nominale maximale des cloueuses, agrafeuses et accessoires.

⚠ AVERTISSEMENT:

Assurez-vous que le flux d'air du régulateur de pression est complètement fermé (le manomètre (B) fixé indique 0 psi) avant de fixer et retirer le tuyau d'air et les applications.

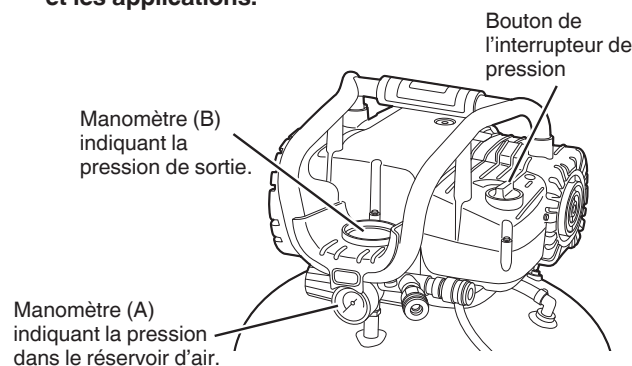


Fig. 4

3. Arrêt

- (1) Placez le bouton de l'interrupteur de pression sur la position « OFF ». (Voir Fig. 2).
- (2) Débrancher la fiche de la source d'alimentation.
- (3) Ouvrir le robinet de vidange qui se trouve sous la partie inférieure du réservoir (Fig. 5). La pression du réservoir doit être en dessous de 10 psi lors de la vidange du réservoir.

⚠ AVERTISSEMENT:

Risque d'explosion. Si le réservoir est corodé, des pannes risquent de survenir. L'eau se condense à l'intérieur du réservoir d'air. Si ce dernier n'est pas vidé, il est soumis à la corrosion et à l'usure à cause de l'eau, ce qui risque de provoquer des ruptures. Videz le réservoir tous les jours et toutes les 4 heures d'utilisation. La condensation évacuée contient l'humidité présente dans l'air, des particules abrasives, de la rouille, etc. Pour vider le réservoir, ouvrez lentement la vanne et inclinez le compresseur pour que l'eau accumulée s'écoule. N'approchez pas le visage et les yeux du robinet de vidange.

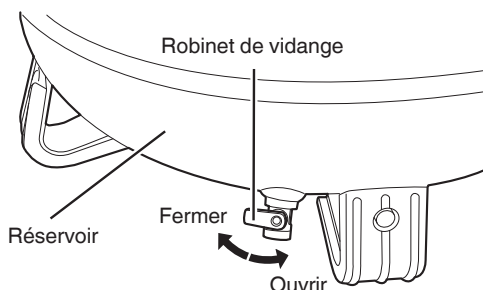


Fig. 5

2. Tableau d'entretien :

TABLEAU D'ENTRETIEN

PROCÉDURE	APRÈS UTILISATION	QUOTIDIENNE	HEDBOMADAIRE
Éliminer la condensation du réservoir d'air	x	x	
Inspecter les gardes protecteurs/carters		x	
Vérifier s'il y a des bruits/vibrations anormaux/ales		x	
Vérifier s'il y a des fuites d'air		x	
Nettoyer l'extérieur du compresseur			x
Vérifier la soupape de sûreté		x	

DÉPANNAGE ET RÉPARATIONS

Tous les compresseurs de qualité nécessitent à long terme un dépannage ou le remplacement des pièces en raison de l'usure due à une utilisation normale. Pour s'assurer que seules des pièces de rechange authentiques sont utilisées, le dépannage et les réparations doivent être uniquement confiés à un SERVICE APRÈS-VENTE HITACHI AGRÉÉ.

REMARQUE : Les spécifications sont susceptibles d'être modifiées sans aucune obligation de la part d'HITACHI.

4. À propos du protecteur thermique

Le protecteur thermique fonctionne pour arrêter le moteur en cas de problème comme une surcharge du moteur, etc. Si le moteur s'arrête en cours de fonctionnement, procédez comme suit.

- (1) Placez le bouton de l'interrupteur de pression sur la position « OFF » et retirez la fiche de la prise. (Fig. 2).
- (2) Vérifiez d'abord les causes possibles suivantes : aération incorrecte, température externe ou température ambiante trop élevée
- (3) Si le cordon prolongateur n'est pas conforme aux spécifications données à la page 17, le remplacer par un cordon prolongateur comme ceux montrés à la page 17. Si la capacité de l'alimentation secteur est insuffisante, augmenter la capacité pour éliminer la cause d'un flux de courant excessif (surintensité).
- (4) Patientez environ 30 minutes.
- (5) Démarrez Si le moteur s'arrête à nouveau pendant le fonctionnement, contacter le centre de service.

ENTRETIEN

⚠ AVERTISSEMENT:

Débrancher le compresseur de sa source d'alimentation et vider le réservoir d'air comprimé avant toute opération d'entretien. Laisser le compresseur refroidir avant de réaliser toute opération d'entretien.

1 Vidange du réservoir

Vidanger le réservoir tous les jours ou toutes les 4 heures d'utilisation. Ouvrir le robinet de vidange et incliner le compresseur pour vider l'eau qui s'est accumulée (Voir Fig. 5). La pression du réservoir doit être en dessous de 10 psi lors de la vidange du réservoir.

INFORMACIÓN IMPORTANTE

Antes de utilizar o realizar el servicio de mantenimiento de este compresor, lea y entienda todas las instrucciones de operación, las precauciones de seguridad y las advertencias del Manual de Instrucciones.

La mayoría de los accidentes que resultan de la operación y el mantenimiento del compresor, se deben a la falta de observación de estas reglas y precauciones básicas de seguridad. Los accidentes podrán evitarse reconociendo una situación potencialmente peligrosa antes de que ocurra, y observando los procedimientos de seguridad apropiados.

Las precauciones básicas de seguridad se describen en la sección "SEGURIDAD" de este Manual de Instrucciones, y en las secciones que contienen las instrucciones sobre la operación y el mantenimiento.

Los peligros que se deben de evitar para prevenir lesiones físicas o daños a la máquina se identifican por medio de ADVERTENCIAS en el compresor y en el Manual de Instrucciones.


Nunca utilice este compresor de forma no recomendada específicamente por HITACHI, a menos que primeramente confirme que el plan de uso sea sin peligro para usted y otros.

SIGNIFICADO DE LAS PALABRAS DE SEÑALIZACIÓN

ADVERTENCIA	indica situaciones potencialmente peligrosas que, si son ignoradas, podrían resultar en la muerte o en lesiones personales graves.
PRECAUCIÓN	indica una situación potencialmente peligrosa que, si no se evita, puede resultar en lesiones menores, o en el daño de la máquina.
NOTA	enfatisa información esencial.

SÍMBOLOS

Es posible que se empleen en esta herramienta algunos de los siguientes símbolos. Le suplicamos estudiarlos y aprender su significado. Una correcta interpretación de estos símbolos le permitirá utilizar mejor y de manera más segura la herramienta.

SÍMBOLO	NOMBRE	DENOMINACIÓN/EXPLICACIÓN
	Superficie caliente	Para reducir el riesgo de lesiones corporales o daños materiales evite tocar toda superficie caliente.

SEGURIDAD

INSTRUCCIONES DE SEGURIDAD IMPORTANTES PARA LA UTILIZACIÓN DEL COMPRESOR

⚠ ADVERTENCIA: La utilización inapropiada o el manejo inseguro de este compresor, puede resultar en muerte o en lesiones físicas serias. Para evitar estos riesgos, siga estas instrucciones básicas de seguridad:

LEA TODAS LAS INSTRUCCIONES

1. **NO TOCAR LAS PIEZAS MÓVILES.**
No apoyar nunca las manos, los dedos u otras partes del cuerpo cerca de las partes móviles del compresor.
Nunca inserte sus dedos ni otros objetos en el ventilador cubierto. Esto comporta el riesgo de accidentes y choques eléctricos.
2. **NUNCA OPERAR SIN QUE TODAS LAS GUARDAS PROTECTORAS ESTÉN EN SU LUGAR.**
Nunca opere este compresor sin que todas las guardas o elementos de protección estén en su lugar y en buenas condiciones de trabajo. Si por servicio o mantenimiento se requiere la remoción de una guarda o elemento de protección, asegure de reponer la guarda antes de reanudar la operación del compresor.
3. **USAR SIEMPRE EQUIPOS DE PROTECCIÓN INDIVIDUAL.**
Riesgo de lesiones. Usar siempre gafas protectoras conformes a la norma ANSI Z87.1, con protección lateral o protección ocular equivalente. No dirigir nunca el aire comprimido hacia personas o partes del cuerpo. Usar adecuadas protecciones del oído a causa del intenso ruido del flujo de aire durante el drenaje.
4. **PROTÉJASE CONTRA CHOQUES ELÉCTRICOS.**
Prevenir que su cuerpo tenga contacto con superficies con toma de tierra, tales como tubos, radiadores, estufas, y los recintos del refrigerador.
Este compresor de aire debe estar adecuadamente conectado a tierra. No exponer el compresor a la lluvia. Nunca operar la compresora en lugares húmedos o mojados.
Para reducir el riesgo de descarga eléctrica, no remueva la cobertura.
5. **DESCONECTAR EL COMPRESOR.**
Antes de iniciar cualquier servicio, inspección, mantenimiento, limpieza, reemplazo, o al examinar cualquier pieza, desconecte siempre el compresor de la toma de corriente y remueva el aire comprimido del tanque.
6. **MARCHA NO-INTENCIONAL.**
No porte el compresor mientras esté conectado a la fuente de corriente eléctrica o cuando el tanque de aire esté lleno de aire comprimido. Asegure que el selector de presión indique apagado "OFF" antes de conectar la compresora a la corriente eléctrica.
7. **ALMACENAR EL COMPRESOR APROPIADAMENTE.**
Cuando no esté siendo usado, el compresor debe ser almacenado en un lugar interior seco. Manténgalo fuera del alcance de los niños. Cierre el lugar de almacenamiento.
8. **MANTENGA EL ÁREA DE TRABAJO LIMPIO.**
Da lugar a ser lesionado en áreas conglomeradas. Despejar toda área de trabajo, herramientas no necesarias, despojos, muebles, etc.
9. **CUIDAR LAS CONDICIONES DEL LUGAR DE TRABAJO.**
Mantenga el área de trabajo bien iluminada y ventilada.
Opere el compresor en un área abierta alejada al menos 18 pulgadas (457 mm) de cualquier pared u objeto que pueda restringir el flujo de aire fresco hacia las aberturas de ventilación. No coloque trapos ni otros objetos en estas aberturas o cerca de ellas.
Riesgo de fuego o de explosión. No llevar ni operar el compresor ni dispositivo eléctrico alguno cerca del área del rociado. No utilice el compresor cerca de líquidos, ni gases inflamables. No colocar nunca objetos contra el compresor o encima del mismo.
El compresor produce chispas durante la operación. No utilice el compresor en lugares en donde haya laca, pintura, bencina, deluidor de pintura, gasolina, gases, compuestos adhesivo, ni materiales que sean combustibles o explosivos.
Asegúrese siempre de operar el compresor en una posición estable y segura, para prevenir el movimiento accidental de la unidad. Nunca opere el compresor en un techo ni en otra posición elevada. No lo utilice nunca en una escalera o un soporte inestable. Utilice una manguera de aire adicional para llegar a ubicaciones altas.
Este compresor contiene algunas partes de componentes que tienden a producir arcos o chispas y, por lo tanto, cuando se ubica en un garaje, debe estar en una habitación o alojamiento proporcionado para este propósito, y debe estar 18 pulgadas (457 mm) o más por encima del suelo.
10. **MANTENGA LOS COMPRESORES TAN LEJOS DEL ÁREA DE PULVERIZACIÓN COMO SEA POSIBLE.**
Riesgo de fuego o explosión. No pulverice líquido inflamable en un área confinada. El área de pulverización debe estar bien ventilada. No fume mientras pulveriza ni pulverice donde haya chispas o una llama. Utilice una manguera de pistola de pulverización de 7.6 m (25 pies) de largo como mínimo y mantenga el compresor/motor al

menos a 6.1 m (20 pies) de los vapores explosivos. No utilice este compresor de aire para pulverizar productos químicos. Sus pulmones pueden resultar dañados por la inhalación de gases tóxicos.

Puede ser necesario un respirador en entornos polvorientos o al pulverizar pintura. No mover mientras se pinta.

11. MANTENGA A LOS NIÑOS ALEJADOS.

No permita que nadie entre en contacto con el cable prolongador.

Los espectadores deberán mantenerse a distancia prudencial del área de trabajo.

12. VESTIR ADECUADAMENTE.

No utilice ropa suelta ni joyas, ya que pueden atraparse en las partes en movimiento.

Para contener el cabello largo, utilice cubiertas protectoras para el cabello.

13. NO MALTRATE EL CABLE.

Nunca tire del cable para desenchufarlo de la fuente de corriente eléctrica.

Mantenga el cable alejado de calor, aceites, y bordes cortantes.

14. MANTENGA EL COMPRESOR CON CUIDADO.

Siga el diagrama de mantenimiento (refiérase a la página 32).

Periódicamente inspeccione el cable, y si halla daños, llevar al centro de servicios autorizado para ser reparado. Inspeccione periódicamente los cables prolongadores y si están dañados, reemplácelos.

15. CABLES PROLONGADORES PARA EL USO EXTERIOR.

Cuando la compresora esté en uso exteriormente, use solamente cable de extensión designado para el uso al aire libre (exterior) así descrita en su etiqueta.

16. PRESTAR ATENCIÓN SIEMPRE.

Prestar atención al efectuar todas las maniobras. Trabajar con conciencia y sentido común. No permita que el compresor opere desatendido. No ponerse de pie sobre el compresor. No usar el compresor cuando se está cansado. No usar nunca el compresor bajo el efecto de alcohol, drogas o fármacos que causen somnolencia.

17. COMPRUEBE SI HAY PIEZAS DAÑADAS O FUGAS DE AIRE.

Antes de utilizar el compresor, compruebe cuidadosamente si hay algún protector u otra pieza dañada a fin de determinar si puede funcionar adecuadamente y realizar la función pretendida. Compruebe la alineación de las piezas móviles, si presenta ataduras o roturas, el estado del montaje, fuga de aire, o cualquier otra condición que pueda afectar la operación del compresor.

Un resguardo u otra parte que estén dañados deberán ser apropiadamente reparados o sustituidos en un centro de asistencia autorizado Hitachi.

Tenga el circuito de presión defectuoso reemplazado por un centro de servicio autorizado Hitachi.

No utilice el compresor si su circuito de inicio de marcha o de apagar (ON and OFF switch) no funcione.

18. NO USAR NUNCA EL COMPRESOR PARA APLICACIONES DIFERENTES A LAS ESPECIFICADAS.

No usar nunca el compresor para aplicaciones diferentes a las especificadas en el Manual de instrucciones.

Siguiendo todas las precauciones de seguridad de este manual y las instrucciones del fabricante del manual de aplicación.

No usar nunca aire comprimido para la respiración o respiración artificial.

19. UTILICE CORRECTAMENTE EL COMPRESOR.

Utilice el compresor de acuerdo con las instrucciones proveído aquí. Nunca permita que un niño, individuos no familiarizados con su operación, ni personas no autorizadas, usen el compresor.

20. MANTENGA TODOS LOS TORNILLOS, PERNOS Y PROTECTORES EN SU SITIO BIEN APRETADOS.

Mantenga todos los tornillos, pernos y protectores montados con seguridad. Verificar periódicamente sus condiciones.

21. MANTENGA EL RESPIRADERO DEL MOTOR LIMPIO.

El respirador del motor deberá mantenerse limpio para que el aire pueda circular libremente en todo momento. Verificar con frecuencia si existen acumulación de polvo.

22. OPERAR EL COMPRESOR AL VOLTAJE ESPECIFICADO.

Operar la compresor al voltaje especificado en su etiqueta. Si el compresor está en uso a un voltaje mayor que el voltaje especificado, resultaría en la anormal rápida revolución del motor, y pudiera producir daños a la unidad y quemar el motor.

Si el compresor está conectado a un circuito protegido por un fusible, utilice fusibles de demora de tiempo. Los fusibles de demora de tiempo deben presentar la marca "D" en Canadá y "T" en los Estados Unidos.

23. NUNCA UTILICE UN COMPRESOR DEFECTUOSO O QUE FUNCIONE ANORMALMENTE.

Si el compresor parece estar operando inusualmente, emitiendo vibraciones o ruidos extraños o exhibe cualquier otro tipo de defecto, deje de usarlo inmediatamente y solicite la reparación en un centro de servicio autorizado Hitachi.

24. NO FROTAS LAS PARTES DE PLÁSTICO CON DISOLVENTES.

Los disolventes, como gasolina, diluidor de pintura, bencina, tetracloruro de carbono, y alcohol pueden dañar y rajar las partes de plástico. No las limpie con tales disolventes.

Limpie las partes plástico con un paño suave ligeramente humedecido en agua jabonosa y séquelas bien.

25. UTILICE SOLAMENTE PIEZAS DE REEMPLAZO GENUINAS DE HITACHI.

Las piezas de reemplazo no fabricadas por Hitachi puede anular la garantía, provocar el mal funcionamiento, y resultar en lesiones. Su proveedor dispone de piezas genuinas de Hitachi.

26. NO MODIFICAR EL COMPRESOR.

No modificar el compresor. No taladre, suelde, parchee ni modifique los tanques de aire. No haga ajustes en los componentes que controlan la presión del tanque. No altere las configuraciones de presión operativa de fábrica. No ponerlo en función bajo presión o velocidad excesivas respecto a los valores recomendados por el fabricante. Contactar siempre el centro de asistencia autorizado de Hitachi para todas las reparaciones. Una modificación no autorizada puede no sólo afectar las prestaciones del compresor sino también provocar accidentes al personal encargado de las reparaciones que no disponen de los conocimientos y competencias técnicas requeridas para efectuar correctamente las operaciones de reparación.

27. APAGUE EL INTERRUPTOR DE PRESIÓN CUANDO EL COMPRESOR NO ESTÉ SIENDO USADO.

Cuando el compresor no esté siendo usado, apague el interruptor de presión, desconecte el enchufe de la fuente de alimentación y abra el grifo de drenaje para descargar el aire comprimido del tanque de aire.

28. NO TOCAR NUNCA LAS SUPERFICIES CALIENTES

Para reducir el riesgo de quemaduras, no toque la tubería de suministro, la válvula de verificación o la bomba. Estas áreas pueden mantenerse calientes durante al menos 45 minutos después del apagado del compresor. Espere a que el compresor se enfríe para realizar las labores de servicio.

29. NO DIRIGIR NUNCA EL CHORRO DE AIRE HACIA PARTES DEL CUERPO.

Riesgo de lesiones físicas. No dirija el chorro de aire a personas ni animales.

30. VACIAR EL DEPÓSITO

Riesgo de explosión. El agua se condensa en el depósito de aire. Si no se vacía, el agua puede corroer y desgastar el depósito de aire, exponiéndolo a riesgos de rotura. Vaciar el depósito diariamente o después de 4 horas de uso. Para drenar el tanque de aire, abra las válvulas con lentitud e incline el compresor para vaciar el agua acumulada. Mantenga la cara y otras partes corporales alejadas de la salida de drenaje. Utilice gafas de seguridad ANSI Z87.1 con protecciones laterales cuando drene, puesto que la suciedad puede caerle en la cara.

31. NO PARE EL COMPRESOR TIRANDO DEL ENCHUFE.

Esto podría producir daños a la unidad. Utilice el mando "ON/OFF" del disyuntor neumático.

32. VERIFICAR QUE LA PRESIÓN DE SALIDA DEL COMPRESOR ESTÉ ESTABLECIDA EN UN VALOR INFERIOR A LA PRESIÓN MÁXIMA DE FUNCIONAMIENTO DEL INSTRUMENTO.

Una presión de aire excesiva provoca el peligro de explosión. Controlar la máxima presión nominal indicada por el fabricante para los instrumentos neumáticos y accesorios. La presión de salida del regulador no deberá superar nunca el valor de presión máxima nominal.

33. LA VÁLVULA DE SEGURIDAD DEBERÁ FUNCIONAR CORRECTAMENTE.

Riesgo de explosión. Antes de poner en marcha el compresor, tire del anillo de la válvula de seguridad para asegurarse de que la válvula opera suavemente. Si la válvula de seguridad no se mueve apropiadamente podría ocurrir sobrepresurización y causar una ruptura del tanque de aire o una explosión. No utilice el compresor si la válvula de seguridad está bloqueada o no opera suavemente. Solicite que la válvula de seguridad defectuosa sea reparada a un centro de servicio autorizado Hitachi.

34. EL USO DE ESTE PRODUCTO LO EXPONDRÁ A PRODUCTOS QUÍMICOS QUE EN EL ESTADO DE CALIFORNIA

Algunos polvos producidos por este producto contiene n sustancias químicas que, por lo que sabe en el Estado de California, pueden provocar cáncer, defectos congénitos y otros daños reproductivos. Algunos ejemplos de estas sustancias son:

- compuestos de fertilizantes;
- compuestos de insecticidas, herbicidas y pesticidas,
- arsénico y cromo provenientes de madera de construcción tratada químicamente.

Para reducir la exposición a estas sustancias químicas, usar equipos de protección aprobados tales como máscaras antipolvos, especialmente diseñadas para filtrar las partículas microscópicas. El uso de este producto expone a sustancias químicas que, por lo que sabe en el Estado de California, pueden causar cáncer, defectos congénitos y otros daños reproductivos. Evitar inhalar vapores y polvos y lavarse las manos después de usar. Este producto contiene sustancias químicas, tales como plomo, que, por lo que se sabe en el Estado de California, causan cáncer, defectos congénitos y daños reproductivos. Lavarse las manos antes de usar.

PIEZAS DE REEMPLAZO

Para reparación, utilice solamente piezas de reemplazo idénticas.
Las reparaciones deberán realizarse solamente por un centro de servicio autorizado por Hitachi.

SEGURIDAD — Continuación

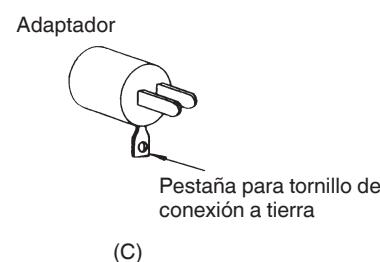
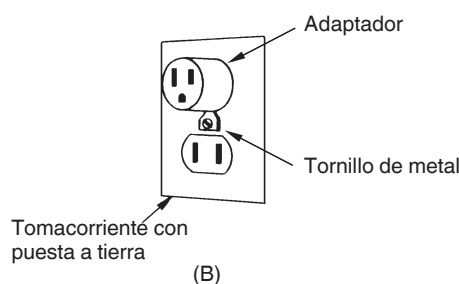
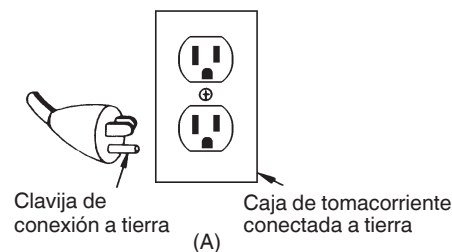
INSTRUCCIONES PARA LA PUESTA A TIERRA

Este compresor debe conectarse a tierra mientras esté en uso para proteger al operador de choques eléctricos. El compresor está equipado con un cable de tres conductores, y enchufe de tres terminales para encajar en un tomacorriente de tipo puesta a tierra. El conductor verde (o verde y amarillo) del cable es la puesta a tierra. Nunca conecte el conductor verde (o verde y amarillo) a un terminal activo. Si su unidad es para utilizarse con menos de 150 voltios, tendrá un enchufe como el mostrado en la ilustración (A) la tomacorrientes de dos contactos, existen adaptadores [C], e ilustrado en (B). La lengüeta rígida, el contacto, o el conductor de color verde del adaptador deberá conectarse a tierra permanente, como en el caso de un tomacorrientes adecuadamente puesto a tierra.

NOTA: El adaptador par puesta a tierra [C] está prohibido en Canadá por Código eléctrico canadiense, Parte 1. Por lo tanto, las instrucciones para su utilización no se aplican en Canadá.

Le recomendamos que nunca desarme el compresor ni trate de cambiar el sistema eléctrico. Las reparaciones deberán ser realizadas solo por centros de servicio HITACHI. Si decide reparar el compresor usted mismo, tenga en cuenta que el conductor de color verde es del "puesta a tierra". Nunca conecte este conductor verde a un terminal "activo". Si reemplaza el enchufe del cable de corriente, cerciorarse de conectar el conductor verde solamente al contacto de puesta a tierra (más largo) de un enchufe de 3 contactos.

Si tiene dudas, llame a un electricista cualificado y haga que le compruebe la puesta del tomacorriente.



CABLE PROLONGADOR

Utilice solamente cables prolongadores que posean enchufes y tomacorrientes de tres contactos con puesta a tierra que acepten el enchufe del cable del compresor. Reemplace o repare los cables dañados.

Cerciórese de que el cable prolongador esté en buenas condiciones. Cuando utilice un cable prolongador, cerciórese de que posea el calibre suficiente para dar paso a la corriente que su producto necesita. Un cable de menor calibre causaría una caída en voltaje en la línea, lo que resultaría en pérdida de potencia y recalentamiento. En la tabla siguiente se muestra el calibre correcto a utilizar dependiendo de la longitud del cable y el amperaje indicado en la placa de características. En caso de alguna duda, utilice un cable de mayor calibre siguiente. Cuanto menor sea el número de calibre, más pesado es el cable.

CALIBRE MÍNIMO DE LOS CABLES DE EXTENSIÓN

Amperaje	Longitud total del cable en pies (Metros)			
	0 – 25 (0 – 7.6)	26 – 50 (7.9 – 15.2)	51 – 100 (15.5 – 30.5)	101 – 150 (30.8 – 45.7)
Más de	Tamaño del cable (CALIBRE)			
No Más de				
0 – 6	14	14	14	12
6 – 10	14	14	12	10
10 – 12	14	12	10	
12 – 16	14	12	No recomendado	

⚠ ADVERTENCIA: Evite el riesgo de choque eléctricas. No utilice nunca este compresor con un cable de eléctrico dañado o frágil, lo mismo es aplicable a un cable prolongador. Inspeccione regularmente los cables eléctricos. Nunca utilice el compresor en agua, ni cerca del agua, ni en un ambiente en que puedan producirse choques eléctricos.

**¡GUARDE ESTAS INSTRUCCIONES
Y
PÓNGALAS A DISPOSICIÓN DE OTROS USUARIOS DE
ESTA HERRAMIENTA!**

OPERACIÓN Y MANTENIMIENTO

NOTA:

La información contenida en este Manual de Instrucciones ha sido diseñada para asistirle en la operación segura y mantenimiento del compresor.

Algunas ilustraciones de este Manual de Instrucciones pueden mostrar detalles o accesorios que posiblemente sean diferentes a los de su compresor.

NOMENCLATURA

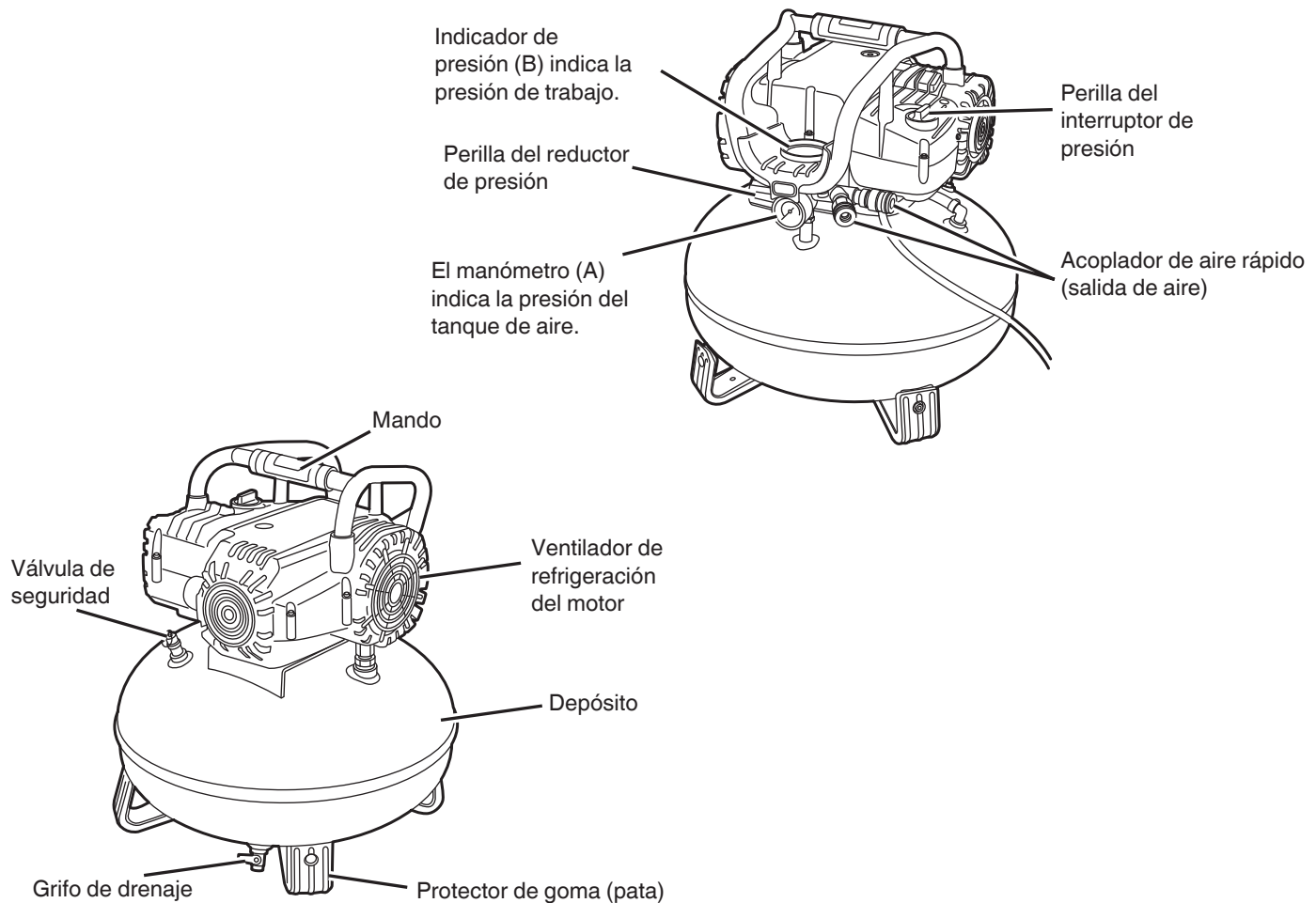


Fig. 1

ESPECIFICACIONES

Modelo	EC 710S	
Motor	Motor universal, monofásico	
Fuente de energía	120 V CA, 60 Hz, monofásica	
Caballos de vapor de funcionamiento	1.0 CV (0.74 KW)	
Corriente	12 A	
Capacidad del depósito	6 galones (22.7 litros)	
Presión máxima	150 PSI (10.3 barías)	
Distribución de aire libre	à 40 PSI (2.8 barías)	3.7 CFM (104.8 litros/min)
	à 90 PSI (6.2 barías)	2.8 CFM (79.3 litros/min)
Lubrificación	Sin aceite	

APLICACIONES

Los compresores de aire son utilizados en una variedad de aplicaciones de sistemas de aire.

Utilice mangueras, conectores, herramientas de aire y accesorios coincidentes con las capacidades del compresor de aire.

Puede utilizar esta herramienta para los propósitos indicados a continuación:

Operación de herramientas alimentadas por aire que requieran menos de 2,8 SCFM a 90 PSI o 3,7 SCFM a 40 PSI.

Alimentación de pistolas clavadoras neumáticas, inflado de neumáticos, limpieza/soplado con aire a presión.

⚠ ADVERTENCIA: Siempre siga todas las reglas de seguridad recomendadas por el fabricante de su herramienta, además de todas las reglas de seguridad del compresor de aire. Seguir estas reglas reducirá el riesgo de lesiones personales graves.

ANTES DE LA OPERACIÓN

1. Fuente de energía

Cerchiórese de que la fuente de energía utilizada esté de acuerdo con los requisitos de alimentación especificados en la placa de características del producto.

NOTA: Si el compresor está conectado a un circuito protegido por un fusible, utilice fusibles de demora de tiempo. Los fusibles de demora de tiempo deben presentar la marca "D" en Canadá y "T" en los Estados Unidos.

2. Interruptor de energía

Cerchiórese de que el mando del disyuntor neumático esté en la posición "OFF". Si inserta el enchufe a un tomacorriente con el mando en la posición "ON" (Fig. 2), el compresor comienza inmediatamente a funcionar y podría causar lesiones serias.

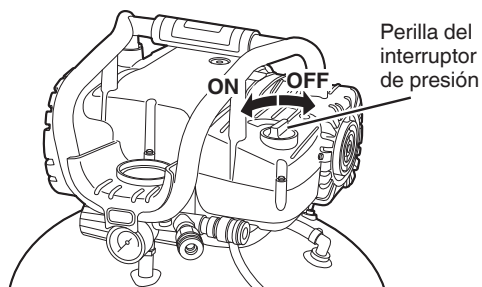


Fig. 2

3. Cable prolongador

Cuando el área de trabajo esté alejada de la fuente de energía, utilice un cable prolongador de calibre y capacidad nominal suficientes (Consulte la página 27). El cable prolongador deberá mantenerse lo más corto posible.

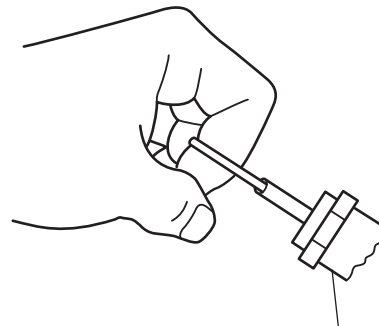
⚠ ADVERTENCIA: Si el cable está dañado deberá reemplazar o repararlo.

4. Confirmación del tomacorriente

Si el tomacorriente solo acepta el enchufe de forma floja, el receptáculo debe ser reparado. Póngase en contacto con un taller eléctrico para servicio de reparación. Si tal receptáculo dañado es usado, podría causar recalentamiento resultando en serio peligro.

5. Para verificar la válvula de seguridad.

Antes de poner en marcha el compresor, tire del anillo de la válvula de seguridad para asegurarse de que la válvula opera suavemente. (Fig. 3) No utilice el compresor si la válvula de seguridad está bloqueada o no opera suavemente. Solicite que la válvula de seguridad defectuosa sea reparada a un centro de servicio autorizado Hitachi.



Válvula de seguridad

Fig. 3

⚠ ADVERTENCIA: Drene el tanque para liberar la presión del aire antes de tirar del anillo de la válvula de seguridad.

⚠ ADVERTENCIA: Riesgo de explosión. Si la válvula de seguridad no se mueve apropiadamente podría ocurrir sobrepresurización y causar una ruptura del tanque de aire o una explosión.

6. Posición correcta de funcionamiento

Asegúrese siempre de operar el compresor en una posición estable y segura, para prevenir el movimiento accidental de la unidad. Nunca opere el compresor en un techo ni en otra posición elevada. No lo utilice nunca en una escalera o un soporte inestable. Utilice una manguera de aire adicional para llegar a ubicaciones altas. Opere el compresor en un área abierta alejada al menos 18 pulgadas de cualquier pared u objeto que pueda restringir el flujo de aire fresco hacia las aberturas de ventilación. No coloque trapos ni otros objetos en estas aberturas o cerca de ellas.

⚠ ADVERTENCIA: Un compresor portátil puede caerse de una mesa, banco de trabajo o techo y causar daños en el compresor, resultando en lesiones graves o la muerte del operador.

NOTA: Cuando se usa o se guarda el compresor, colocar 4 parachoques de goma debajo del piso de l compresor (Consulte la Fig. 1)

7. Temperatura

La temperatura de funcionamiento está comprendida a entre 32 °F y 104 °F (0 °C y 40 °C).

⚠ PRECAUCIÓN: No usar nunca a temperatura inferior a 32 °F (0 °C) ni superior a 104 °F (40 °C).

8. Manguera de aire

Verifique la manguera de aire en busca de condiciones de debilidad o desgaste antes de cada uso, asegurándose de que todas las conexiones se han realizado correctamente. No utilizar si se encuentra un defecto. Compre una manguera de aire nueva o notifique a un centro de servicio autorizado de Hitachi para su revisión o reparación. Asegúrese de que la manguera de aire esté libre de obstrucciones o jalones.

Si se enreda o atasca, la manguera de aire puede causar pérdida de equilibrio y sufrir daños. Mantenga la manguera de aire alejada de objetos afilados, vertidos químicos, aceite, disolventes y suelos mojados.

9. Irrupción en la bomba.

(1) Gire la perilla del reductor de presión totalmente hacia la derecha para abrir el flujo de aire.

(2) Coloque la perilla del interruptor de presión en la posición "OFF" e inserte el enchufe en el tomacorriente.

(3) Abra el grifo de drenaje por completo.

(4) Encienda el compresor de aire y hágalo operar por 10 minutos para que irrumpe en las partes de la bomba.

(5) Coloque la perilla del interruptor de presión en la posición "OFF".

(6) Cierre el grifo de drenaje.

TRANSPORTE

Apague el interruptor de presión y desconecte el enchufe de la fuente de alimentación antes de transportar el compresor. Transporte el compresor de la manera correcta.

Cuando transporte el compresor, agarre el asidero.

⚠ ADVERTENCIA: Riesgo de operación insegura. Asegúrese de que está estable y tenga precaución al transportar el compresor, para evitar una pérdida de equilibrio. No mover mientras se pinta.

OPERACIÓN

1. Puesta en funcionamiento

Inserte el enchufe en el tomacorriente y opere el compresor utilizando la perilla del interruptor de presión. (Consulte la Fig. 2).

⚠ ADVERTENCIA: No pare ni ponga en funcionamiento el compresor utilizando el enchufe. Utilice siempre el mando "ON/OFF" del disyuntor neumático.

La operación del compresor es automática y su control es mediante el disyuntor neumático que lo apaga cuando la presión del depósito de aire alcanza el nivel máximo, y lo vuelve a poner en funcionamiento cuando la presión de aire disminuye durante su uso recargando al nivel inicial.

El motor incluye un protector térmico. El protector térmico detendrá el motor cuando la temperatura sea demasiado elevada por cualquier razón.

El motor debe enfriarse antes de ser reiniciado.

⚠ PRECAUCIÓN: Usar protecciones de oídos adecuadas durante el uso. Bajo ciertas condiciones y duración de uso, el ruido ocasionado por este producto puede contribuir a la pérdida de la capacidad auditiva.

2. Ajuste de la presión de salida

Ajuste la presión de salida al nivel requerido girando la perilla del reductor de presión hacia la derecha para aumentar la presión de salida y hacia la izquierda para reducirla.

Se incluye un manómetro (B) para mostrar cuándo se alcanza la presión requerida.

Cuando ajuste la presión, verifique que el indicador de presión (A) del tanque marque un nivel de presión superior a la presión que se va a ajustar.

Asimismo, es imperativo realizar el ajuste aumentando lentamente la presión desde un nivel inferior a la presión que se va a ajustar.

⚠ ADVERTENCIA: Compruebe la presión máxima indicada por el fabricante del martillo, o grapador, y los accesorios neumáticos. La presión de salida del compresor deberá regularse de forma que la presión máxima indicado por el fabricante del martillo, el grapador y los accesorios, nunca aplicarse excede de presión.

⚠ ADVERTENCIA: Asegúrese de que el flujo de aire hacia el reductor de presión esté completamente cerrado (el manómetro (B) conectado indica 0 psi) antes de conectar y desconectar la manguera de aire y las aplicaciones.

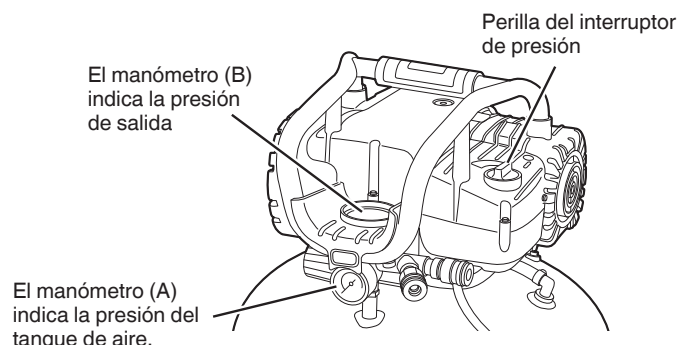
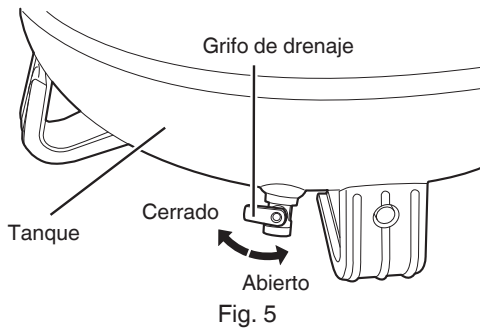


Fig. 4

3. Cierre
 - (1) Coloque la perilla del interruptor de presión en la posición "OFF". (Consulte la Fig. 2).
 - (2) Desconecte el enchufe del tomacorriente.
 - (3) Abra el grifo de drenaje situado en la parte inferior del depósito (Fig. 5). La presión del tanque debe estar por debajo de 10 psi cuando se drene el tanque.

⚠ ADVERTENCIA: Riesgo de explosión. Si el depósito está oxidado, existe el riesgo de fallo. El agua se condensa en el depósito de aire. Si no se vacía, el agua corroe y desgasta el depósito de aire, exponiéndolo a riesgos de rotura. Vaciar el depósito diariamente o después de 4 horas de uso. Los gases de escape contienen la humedad presente en el aire, partículas abrasivas, óxido, etc. Para vaciar el depósito, abrir lentamente la válvula e inclinar el compresor para eliminar el agua acumulada. Tener alejado el rostro y ojos del grifo de vaciado.



4. Acerca del protector térmico

El protector térmico opera para detener el motor cuando ocurre un problema como sobrecarga del motor, etc. Si el motor se detiene durante la operación, proceda del modo siguiente.

 - (1) Coloque la perilla del interruptor de presión en la posición "OFF" y desconecte el enchufe del tomacorriente (Fig. 2).
 - (2) Verifique primero las siguientes causas posibles: falta de ventilación apropiada, o una temperatura del aire exterior o de la habitación demasiado elevada.
 - (3) Si el cable de extensión no cumple con las especificaciones indicadas en la página 27, cámbiela por la indicada en esta página 27. Si la capacidad de la fuente de alimentación es insuficiente, aumentela para eliminar la causa de la circulación de corriente excesiva (sobrecorriente).
 - (4) Espere aproximadamente 30 minutos.
 - (5) Póngalo en marcha. Si el motor sigue parándose durante la operación, póngase en contacto con el servicio técnico.

MANTENIMIENTO

⚠ ADVERTENCIA: Antes de realizar las operaciones de mantenimiento, desconecte el compresor de la fuente de alimentación y vacíe el aire comprimido del depósito de aire. Deje que el compresor se enfríe antes de realizar las operaciones de mantenimiento.

1. Drenaje del depósito

Drene el depósito diariamente, o después de 4 horas de utilización. Abra el grifo de drenaje e incline el compresor para vaciar el agua acumulada (Consulte la Fig. 5). La presión del tanque debe estar por debajo de 10 psi cuando se drene el tanque.

2. Diagrama de mantenimiento:

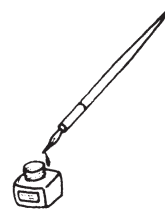
DIAGRAMA DE MANTENIMIENTO

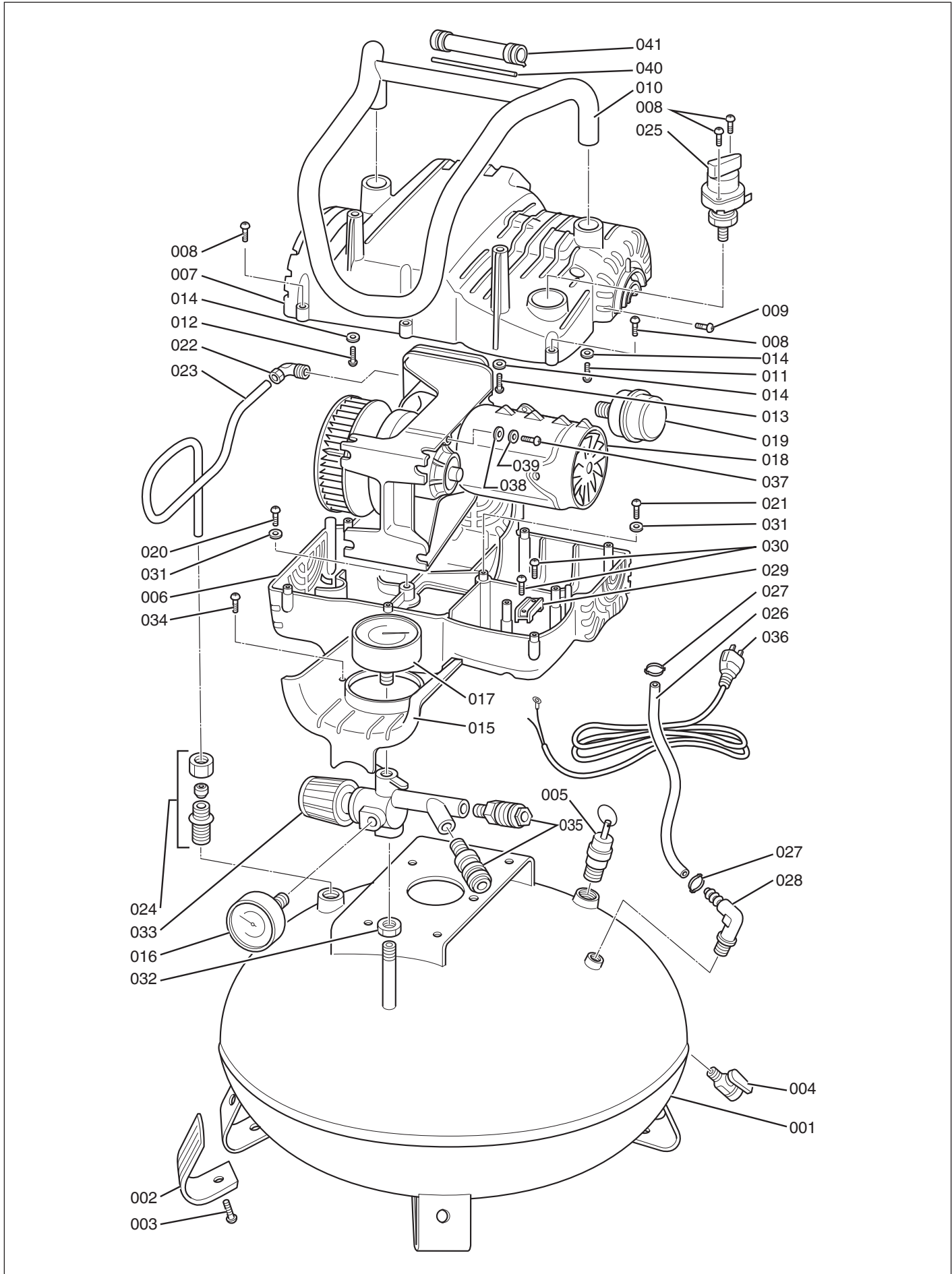
PROCEDIMIENTO	DESPUÉS DEL USO	DIARIO	SEMANTAL
Drene la condensación en el tanque de aire	x	x	
Inspeccione los protectores/las coberturas		x	
Verificar ruidos o vibraciones inusuales		x	
Verificar fugas de aire		x	
Limpia el exterior del compresor			x
Verifique la válvula de seguridad		x	

SERVICIO Y REPARACIONES

Todos los compresores de calidad requerirán servicios o el reemplazo de partes debido al desgaste provocado por el uso normal. Para asegurar que solo se usan partes de reemplazo genuinas, todas las tareas de servicio y reparaciones deben ser realizadas únicamente por un CENTRO DE SERVICIOS AUTORIZADO DE HITACHI.

NOTA: Las especificaciones están sujetas a cambios sin obligaciones por parte de HITACHI.





EC 710S

ITEM NO.	CODE NO.	PART NAME	Q.TY	REFERENCE NO.
001	888908	AIR VESSEL	1	9413532206
002	888909	FOOT	4	9038773
003	888910	SCREW M6×13 (SELF-TAPPING)	8	9115014
004	888911	DRAINING VALVE	1	9047062
005	888912	SAFETY VALVE	1	9049115
006	888913	HULL	1	9069065
007	888914	SHROUD	1	9069066
008	888915	SCREW 4.2×22 (PARKER)	12	9142803
009	888916	SCREW 4.2×16 (PARKER)	2	9142772
010	888917	HANDLE	1	9083493
011	888918	SCREW TBEI 6×20	2	9104148
012	888919	SCREW TCEI M6×55	1	9415429
013	888920	SCREW TCEI M6×75	1	9101985
014	888921	WASHER 6×12×1,5	4	9131641
015	888922	PANEL	1	9069067
016	888923	GAUGE 40 (1,5")	1	9052209
017	888924	GAUGE 50 (2")	1	9414744
018	888925	PUMP	1	9417580
019	888926	AIR FILTER	1	9054023
020	888927	SCREW TCEI 6×30	3	9415853
021	888928	SCREW TCEI 6×45	1	9101560
022	888929	ELBOW	1	9050674
023	888930	DELIVERY PIPE	1	9043743
024	888931	CHECK VALVE	1	9048126
025	888932	PRESSURE SWITCH	1	9063276
026	888933	RUBBER HOSE	0.25	9045670
027	888934	WORM GEAR CLAMP	2	9050698
028	888935	FITTING BARB	1	9417577
029	888936	LOCK CABLE	1	9064830
030	888937	SCREW 4.2×19 (PARKER)	2	9412472
031	888938	WASHER 16×6,5×2	4	9417072
032	888939	NUT	1	9050567
033	888940	PRESSURE REDUCER	1	9051232
034	888941	SCREW TBEI M5×10	2	9104026
035	888942	QUICK COUPLING	2	9047086
036	888943	POWER CORD WITH PLUG	1	9065680
037	888944	SCREW 4×8	1	9114042
038	888945	SPRING WASHER D4	1	4100795
039	888946	WASHER THEET M4	1	9134403
040	888947	PIN FOR HANDLE GRIP	1	9416872
041	888948	HANDLE GRIP	1	9069060

Issued by

 **Hitachi Koki Co., Ltd.**

Sinagawa Intercity Tower A, 15-1, Konan 2-chome,
Minato-ku, Tokyo 108-6020, Japan

Distributed by

 **Hitachi Koki U.S.A., Ltd.**

PO Box 970
Braselton, GA 30517

 **Hitachi Koki Canada Corp.**

450 Export Blvd. Unit B,
Mississauga ON L5S 2A4

604

Code No. C99224161

Printed in China