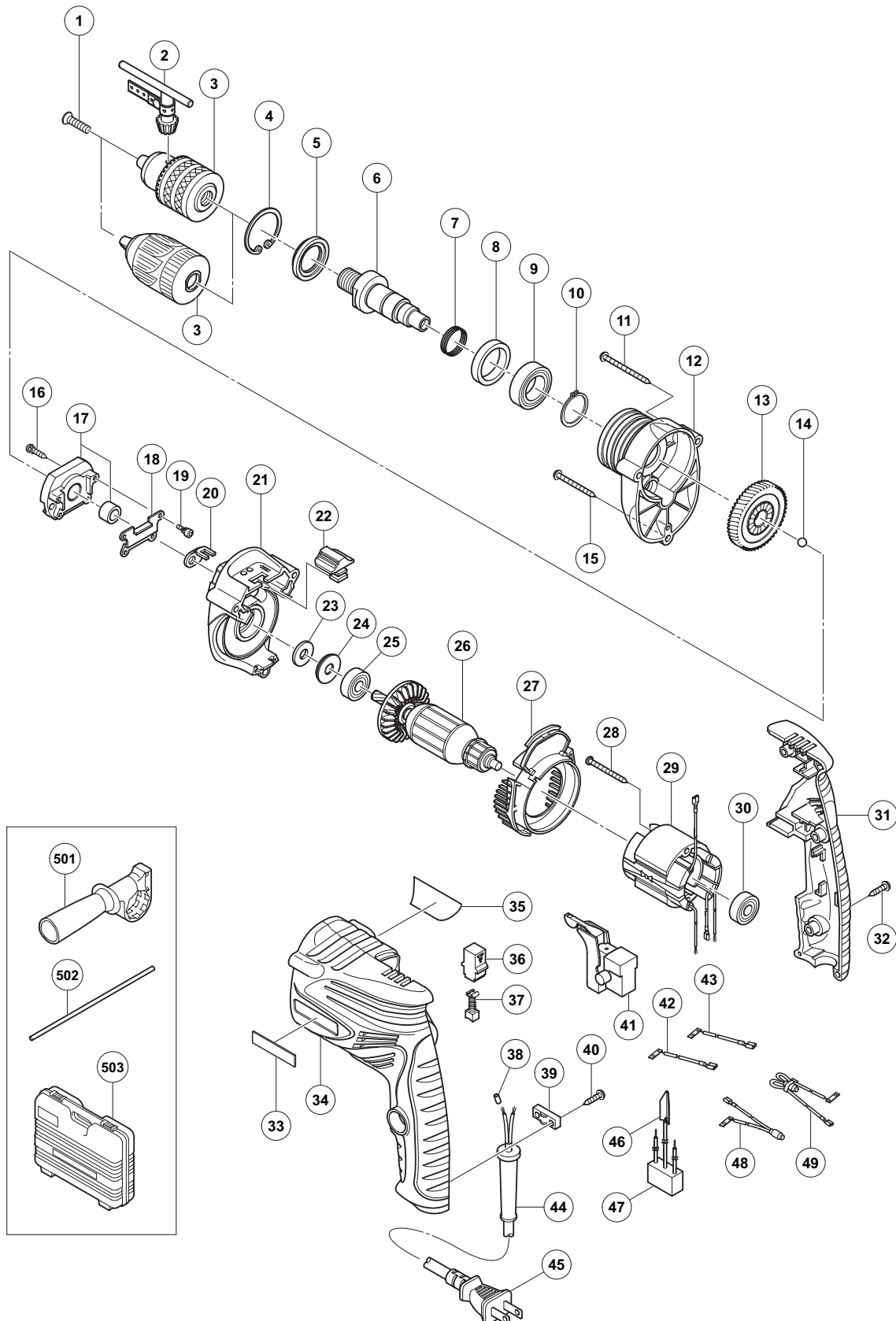


## ELECTRIC TOOL PARTS LIST

**IMPACT DRILL**  
**Model DV 16VSS**

**2009·5·29**  
**(E1)**



**PARTS**

DV 16VSS

| ITEM NO. | CODE NO. | DESCRIPTION                            | NO. USED                                 | REMARKS |  |
|----------|----------|--|--|---------|--|
| 1        | 995-344  | FLAT HD. SCREW (A) (LEFT HAND) M6 X 25 | 1  |         |  |
| *        | 2        | 987-576                                | CHUCK WRENCH FOR 13VLB-D,13VLR-D         | 1       |  |
| *        | 3        |  | DRILL CHUCK 13VLRC-D                     | 1       | INCLUD. 2 SUPPLIED WITH ITEM NO. 601                         |
| *        | 3        | 322-625                                | DRILL CHUCK 13VLRJ-N (W/O CHUCK WRENCH)  | 1       |  |
|          | 4        | 948-001                                | RETAINING RING FOR D32 HOLE              | 1       |  |
|          | 5        | 971-654                                | DUST SEAL                                | 1       |  |
|          | 6        | 331-522                                | SPINDLE                                  | 1       |  |
|          | 7        | 322-514                                | SPRING                                   | 1       |  |
|          | 8        | 330-682                                | DISTANCE RING                            | 1       |  |
|          | 9        | 600-2VV                                | BALL BEARING 6002VVCMP2L                 | 1       |  |
|          | 10       | 939-544                                | RETAINING RING FOR D15 SHAFT (10 PCS.)   | 1       |  |
|          | 11       | 322-657                                | TAPPING SCREW (W/FLANGE) D4 X 60 (BLACK) | 2       |  |
|          | 12       | 330-726                                | GEAR COVER                               | 1       |  |
|          | 13       | 330-683                                | GEAR                                     | 1       |  |
|          | 14       | 959-150                                | STEEL BALL D6.35 (10 PCS.)               | 1       |  |
|          | 15       | 301-815                                | TAPPING SCREW (W/FLANGE) D4 X 45         | 1       |  |
|          | 16       | 330-680                                | TAPPING SCREW (W/SP. WASHER) D4 X 20     | 2       |  |
|          | 17       | 330-677                                | RATCHET                                  | 1       |  |
|          | 18       | 330-678                                | BUSHING                                  | 1       |  |
|          | 19       | 330-679                                | BOLT M3                                  | 4       |  |
|          | 20       | 330-676                                | CHANGE PLATE                             | 1       |  |
|          | 21       | 330-675                                | INNER COVER                              | 1       |  |
|          | 22       | 322-510                                | CHANGE LEVER                             | 1       |  |
|          | 23       | 323-096                                | FELT PACKING                             | 1       |  |
|          | 24       | 330-674                                | WASHER (A)                               | 1       |  |
|          | 25       | 608-DDM                                | BALL BEARING 608DDC2PS2L                 | 1       |  |
| *        | 26       | 360-863C                               | ARMATURE 110V                            | 1       |  |
| *        | 26       | 360-863U                               | ARMATURE ASS'Y 120V                      | 1       | INCLUD. 25, 30   |
| *        | 26       | 360-863E                               | ARMATURE 220V                            | 1       |  |
| *        | 26       | 360-863F                               | ARMATURE 230V-240V                       | 1       |  |
|          | 27       | 330-673                                | FAN GUIDE                                | 1       |  |
|          | 28       | 950-515                                | TAPPING SCREW D4 X 50                    | 2       |  |
| *        | 29       | 340-742C                               | STATOR 110V                              | 1       |  |
| *        | 29       | 340-742D                               | STATOR 120V                              | 1       |  |
| *        | 29       | 340-742F                               | STATOR 220V-240V                         | 1       |  |
|          | 30       | 608-VVM                                | BALL BEARING 608VVC2PS2L                 | 1       |  |
|          | 31       | 330-715                                | HANDLE COVER                             | 1       |  |
|          | 32       | 301-653                                | TAPPING SCREW (W/FLANGE) D4 X 20 (BLACK) | 3       |  |
|          | 33       | 330-719                                | HITACHI LABEL                            | 1       |  |
|          | 34       | 330-714                                | HOUSING                                  | 1       |  |
|          | 35       |  | NAME PLATE                               | 1       |  |
|          | 36       | 955-203                                | BRUSH HOLDER                             | 2       |  |
|          | 37       | 999-041                                | CARBON BRUSH (1 PAIR)                    | 2       |  |
| *        | 38       | 981-373                                | TUBE (D)                                 | 2       | FOR CORD   |
|          | 39       | 937-631                                | CORD CLIP                                | 1       |  |
|          | 40       | 984-750                                | TAPPING SCREW (W/FLANGE) D4 X 16         | 2       |  |
| *        | 41       | 330-716                                | SWITCH                                   | 1       |  |
| *        | 41       | 330-684                                | SWITCH                                   | 1       | FOR GBR (110V), USA, CAN, MEX, VEN, TPE                      |
| *        | 42       | 330-717                                | INTERNAL WIRE (BROWN)                    | 1       | FOR USA, CAN, VEN, TPE, SYR, INA,<br>HKG, KUW, IND, THA, SIN |



