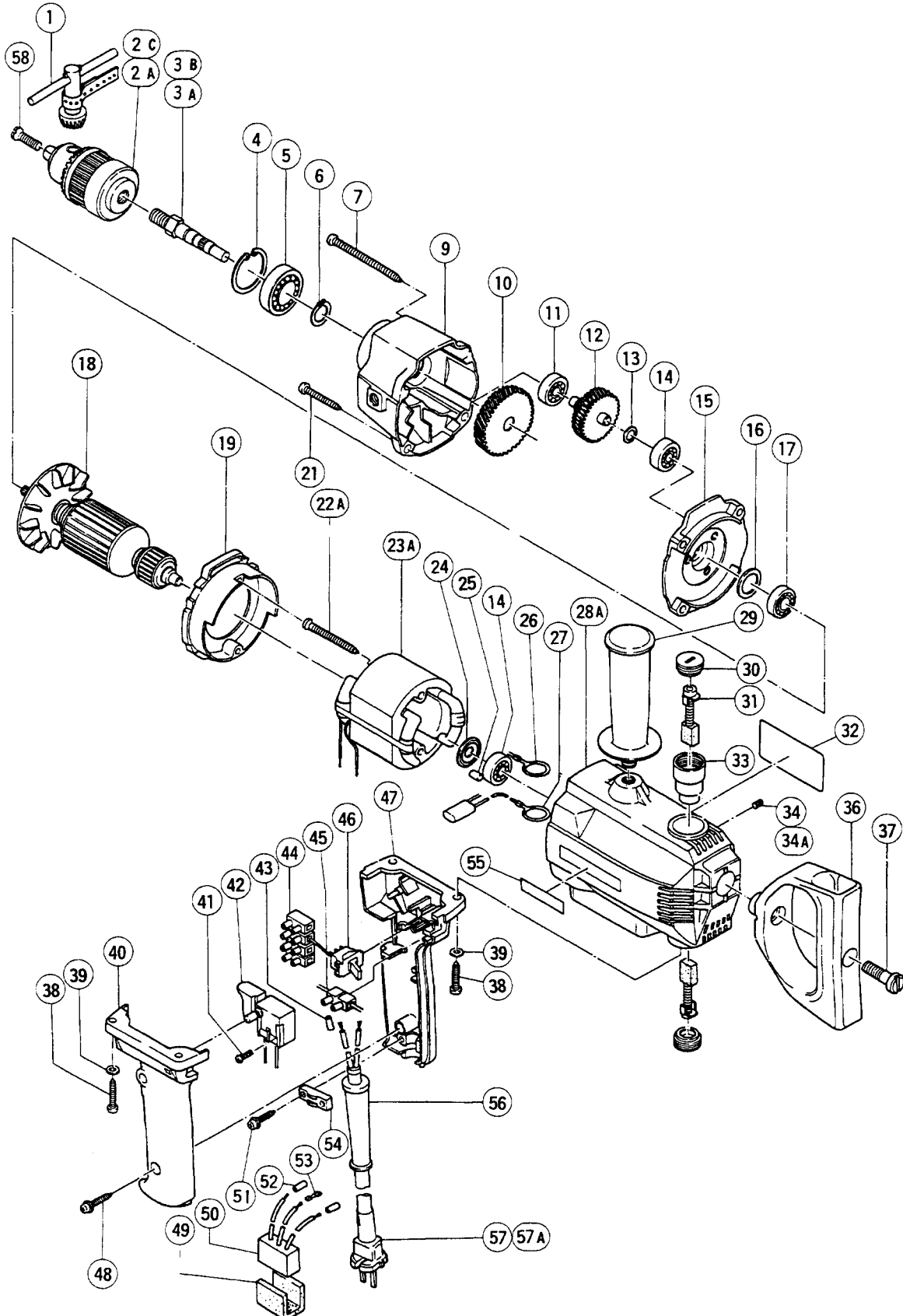


ELECTRIC TOOL PARTS LIST

DRILL

1997 · 3 · 10

Model D 13**(E5)**

PARTS

D 13

ITEM NO.	CODE NO.	DESCRIPTION	NO. USED	REMARKS
1	930 - 515	CHUCK WRENCH 10G	1	
2A	950 - 274	DRILL CHUCK 13ELA	1	TILL 9.1982
2C	950 - 275	DRILL CHUCK 13VLR	1	INCLUD.1.58 SINCE 10.1982
3A	981 - 651Z	SPINDLE	1	TILL 9.1982 FOR TAPER
3B	981 - 667	SPINDLE	1	SINCE 10.1982 FOR SCREW
4	939 - 556	RETAINING RING FOR D35 HOLE (10 PCS.)	1	
5	620 - 2VV	BALL BEARING 6202VVCMP2S	1	
6	939 - 544	RETAINING RING FOR D15 SHAFT (10 PCS.)	1	
7	957 - 725	TAPPING SCREW D5X70	2	
9	981 - 650	GEAR COVER	1	
10	983 - 448	FINAL GEAR	1	
11	627 - VVM	BALL BEARING 627VVMC2EPS2S	1	
12	981 - 652Z	SECOND PINION	1	
13	949 - 426	WASHER M8 (10 PCS.)	1	
14	608 - VVM	BALL BEARING 608VVMC2EPS2L	2	
15	982 - 791	INNER COVER ASS'Y	1	INCLUD.14,16,17
16	984 - 357	WASHER	1	
17	609 - VVM	BALL BEARING 609VVMC2PS2S	1	
* 18	981 - 657U	ARMATURE ASS'Y 110V - 127V	1	INCLUD.14,17,24
* 18	981 - 657E	ARMATURE 220V - 230V	1	
* 18	981 - 657F	ARMATURE 240V	1	
* 18	982 - 807	ARMATURE 100V	1	FOR KOR
19	981 - 562	FAN GUIDE	1	
21	931 - 875	TAPPING SCREW D5X35	2	
22A	991 - 007	TAPPING SCREW D5X60	2	
* 23A	982 - 797C	STATOR 110V - 127V	1	(TILL 7.1992 FOR USA)
* 23A	982 - 797E	STATOR 220V	1	
* 23A	982 - 797F	STATOR 230V - 240V	1	
* 23A	982 - 797L	STATOR 220V - 230V	1	FOR EUROPE.GBR
* 23A	982 - 797H	STATOR 220V - 240V	1	FOR BEL,ITA,AUS,CHN
* 23A	982 - 797G	STATOR 230V - 240V	1	FOR NZL.SAF
* 23A	982 - 797J	STATOR 110V	1	FOR GBR
* 23A	982 - 806	STATOR 100V	1	FOR KOR
* 23A	982 - 797M	STATOR 115V	1	SINCE 8.1992 FOR USA
24	984 - 367	WASHER (C)	1	
25	946 - 362	BEARING LOCK	1	
* 26	982 - 798Z	BRUSH TERMINAL	1	
* 26	982 - 800Z	BRUSH TERMINAL (W/CHOKE COIL)	1	FOR NZL,GBR,SAF,FRG,HOL,DEN,FIN,SWE,AUT, SUI,FRA
* 27	982 - 799Z	BRUSH TERMINAL	1	
* 27	982 - 801Z	BRUSH TERMINAL (W/CHOKE COIL)	1	FOR NZL,GBR,SAF,FRG,HOL,DEN,FIN,SWE,AUT, SUI,FRA
28A	982 - 790Z	HOUSING ASS'Y	1	INCLUD.33,34A
29	981 - 205	SIDE HANDLE FOR M10	1	
30	961 - 781	BRUSH CAP	2	
31	981 - 612Z	CARBON BRUSH (AUTO STOP TYPE) (1 PAIR)	2	
32		NAME PLATE	1	
33	981 - 586	BRUSH HOLDER	2	
34	962 - 782	HEX. SOCKET SET SCREW M5X6	2	TILL 2.1986
34A	985 - 114	HEX. SOCKET SET SCREW M4X6	2	SINCE 3.1986
36	982 - 794Z	D - TYPE HANDLE	1	

* : ALTERNATIVE PARTS

PARTS

D 13

ITEM NO.	CODE NO.	DESCRIPTION	NO. USED	REMARKS
37	982-796Z	SPECIAL BOLT M10	1	
38	937-807	TAPPING SCREW D5X25	4	
39	949-424	WASHER M5 (10 PCS.)	4	
40	984-361	HANDLE (B)	1	
41	980-060	MACHINE SCREW (W/WASHER) M3.5X5	2	
* 42	957-747	SWITCH (A) (1P SCREW TYPE) W/LOCK	1	(TILL 7.1992 FOR USA)
* 42	971-667Z	SWITCH (2P PILLAR TYPE) W/LOCK	1	FOR OCEANIA,GBR,SAF,ITA,BEL,FRA,FRG,HOL, DEN,FIN,SWE,AUT,SUI,CHN (SINCE 8.1992 FOR USA)
* 43	981-373	TUBE (D)	2	FOR OCEANIA,GBR,SAF,ITA,HOL,DEN,FIN,SWE, AUT,SUI,USA
* 44	982-804Z	PILLAR TERMINAL (B)	1	
* 45	982-805Z	PILLAR TERMINAL (B)	1	FOR SIN,CAN (TILL 7.1992 FOR USA)
* 46	982-802Z	REVERSING SWITCH ASS'Y	1	INCLUD.44
* 46	982-803Z	REVERSING SWITCH ASS'Y	1	INCLUD.44 FOR USA,CAN
47	984-360	HANDLE (A)	1	
48	982-095	TAPPING SCREW (W/WASHER) D4X20	1	
* 49	930-153	SUPPORT (B)	1	FOR NZL,GBR,SAF,FRG,HOL,DEN,SWE,FIN,AUT, FRA
* 50	994-273	NOISE SUPPRESSOR	1	
* 50	971-828	NOISE SUPPRESSOR	1	FOR AUT
51	930-446	TAPPING SCREW (W/WASHER) D4X16	2	
* 52	981-373	TUBE (D)	2	FOR ITA,BEL,FRG,FRA,FIN
* 53	959-146	TERMINAL 50061 (10 PCS.)	1	FOR NZL,GBR,SAF,FRG,HOL,DEN,SWE
* 53	961-419Z	TERMINAL	1	FOR FIN,AUT,FRA
54	960-266	CORD CLIP	1	
55	957-561	HITACHI LABEL	1	
* 56	953-327	CORD ARMOR D8.8	1	
* 56	938-051	CORD ARMOR D10.1	1	
* 57	500-201Z	CORD	1	(CORD ARMOR D10.1)
* 57	500-231Z	CORD	1	(CORD ARMOR D8.8) FOR GBR (110V),SAF
* 57	500-234Z	CORD	1	(CORD ARMOR D8.8) FOR INA,SUR,MAL,ITA, BEL,FRG,FRA,HOL,DEN,SWE
* 57	500-226Z	CORD	1	(CORD ARMOR D10.1) FOR OCEANIA
* 57	500-240Z	CORD	1	(CORD ARMOR D8.8) FOR USA,CAN
* 57	500-245Z	CORD	1	(CORD ARMOR D10.1) FOR SYR
* 57	500-247Z	CORD	1	(CORD ARMOR D10.1) FOR AUS,FIN
* 57	500-248Z	CORD	1	(CORD ARMOR D10.1) FOR SUI
* 57	930-051	CORD	1	(CORD ARMOR D10.1) FOR KOR
* 57A	500-436Z	CORD	1	(CORD ARMOR D8.8) FOR GBR (240V)
* 57A	500-423Z	CORD	1	(CORD ARMOR D8.8) FOR SIN
58	981-122	SPECIAL SCREW M6X22	1	

OPTIONAL ACCESSORIES

ITEM NO.	CODE NO.	DESCRIPTION	NO. USED	REMARKS
601	930-886	HANDLE JOINT	1	
602	981-655Z	DEPTH STOPPER	1	

*: ALTERNATIVE PARTS