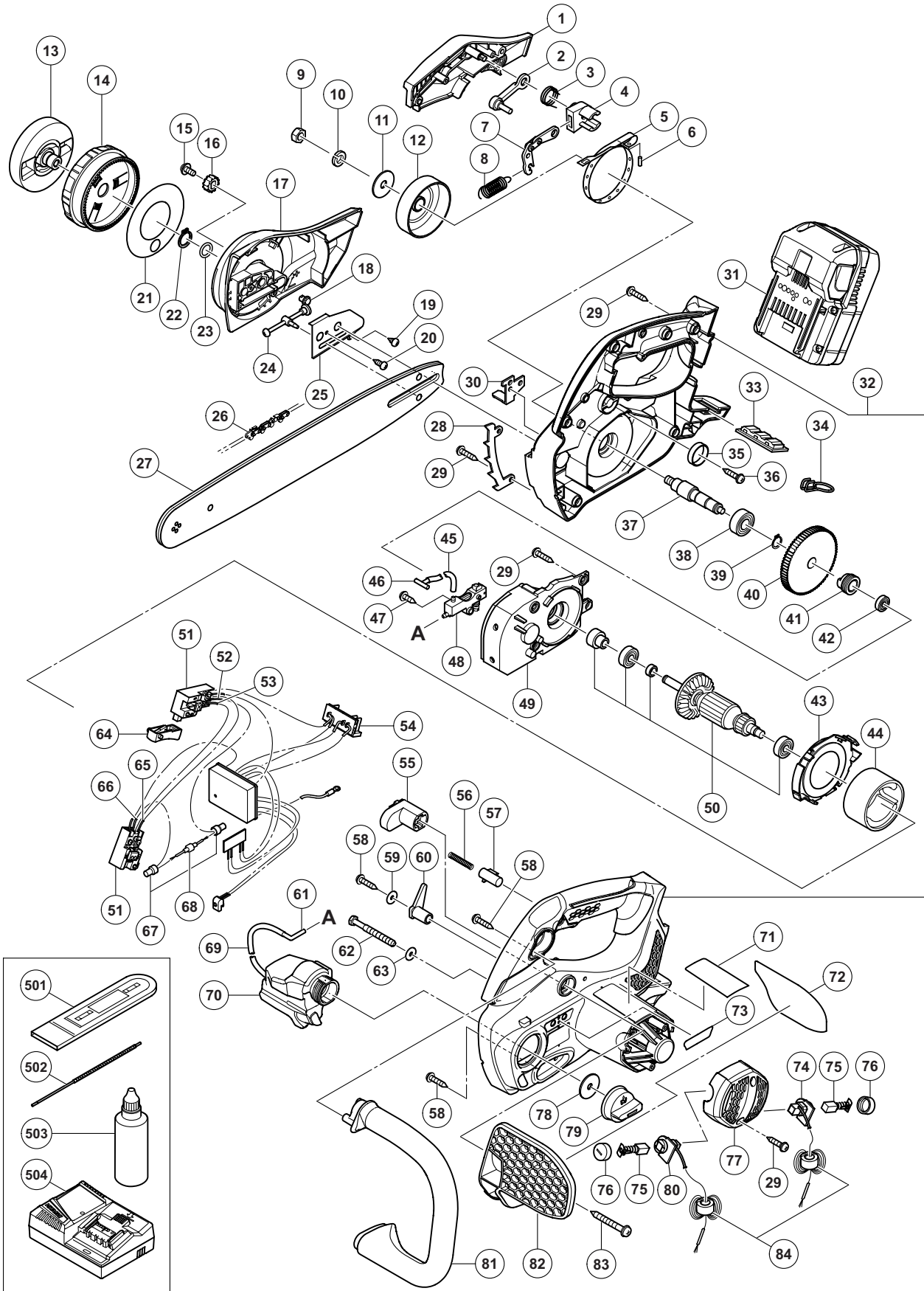


ELECTRIC TOOL PARTS LIST

■ CORDLESS CHAIN SAW Model CS 36DL

2013·1·25
(E1)



PARTS

CS 36DL

ITEM NO.	CODE NO.	DESCRIPTION	NO. USED	REMARKS	
1	335-134	BRAKE LINK COVER	1		
2	669-6782	BRAKE SUPPORT PLATE	1		
3	669-6783	BRAKE LEVER SPRING	1		
4	335-135	BRAKE LINK HOLDER	1		
5	669-9013	BRAKE BAND	1		
6	668-5391	NEEDLE ROLLER D3	1		
7	668-5388	BRAKE LINK	1		
8	668-5389	BRAKE SPRING	1		
9	335-192	LOCK NUT (LEFT HAND) M8	1		
10	957-042	SUPER LOCK WASHER M8	1		
11	335-139	SIDE PLATE	1		
12	668-5403	CLUTCH HOUSING	1		
13	335-151	KNOB	1		
14	335-150	TENSION DIAL	1		
15	315-500	MACHINE SCREW (W/WASHER) M4 X 8 (BLACK)	1		
16	335-152	TENSION GEAR	1		
17	335-149	CHAIN SIDE COVER	1		
18	335-156	BEVEL GEAR (A)	1		
19	696-352	TAPPING SCREW D3	1		
20	334-333	TAPPING SCREW D3 X 12 (BLACK)	1		
21	335-688	DUST SHEET	1		
22	939-543	RETAINING RING FOR D14 SHAFT (10 PCS.)	1		
23	996-407	O-RING (1AP-12)	1		
24	335-153	CHAIN PULLER	1		
25	335-154	GUIDE PLATE	1		
26	669-7852	SAW CHAIN (3/8 X 12") 91PX-45XJ	1		
27	669-6990	CHAIN BAR 12 INCH 3/8 SPROCKET PRC	1		
28	335-142	SPIKE	1		
29	301-653	TAPPING SCREW (W/FLANGE) D4 X 20 (BLACK)	16		
30	335-155	CHAIN CATCHER	1		
*	31	334-998	BATTERY BSL 3620 (EUROPE, AUS, NZL)	1	
*	31	334-997	BATTERY BSL 3620 (USA, CAN)	1	
32	335-129	HOUSING. HANDLE COVER SET	1		
33	332-668	RUBBER CUSHION	1		
34	669-8696	HOOK	1		
35	335-690	LINK SLEEVE	1		
36	301-653	TAPPING SCREW (W/FLANGE) D4 X 20 (BLACK)	3		
37	335-137	SPINDLE	1		
38	600-1VV	BALL BEARING 6001VVCMP2L	1		
39	939-542	RETAINING RING FOR D12 SHAFT (10 PCS.)	1		
40	335-138	GEAR	1		
41	669-6886	WORM	1		
42	606-ZZM	BALL BEARING 606VVC2	1		
43	335-140	FAN GUIDE	1		
44	323-156	MAGNET	1		
45	335-148	URETHANE TUBE 130L	1		
46	335-147	NOZZLE	1		
47	301-653	TAPPING SCREW (W/FLANGE) D4 X 20 (BLACK)	1		
48	669-6887	OIL PUMP	1		
49	335-136	INNER COVER	1		

PARTS

CS 36DL

ITEM NO.	CODE NO.	DESCRIPTION	NO. USED	REMARKS	
50	360-948	ARMATURE AND PINION SET	1		
51	335-124	SWITCH	2		
52	335-687	INTERNAL WIRE (RED) L240	1		
53	335-694	INTERNAL WIRE (RED) L490	1		
54	335-128	CONTROLLER TERMINAL SET	1		
55	335-132	BRAKE LEVER	1		
56	314-429	SPRING	1		
57	331-682	LOCK BUTTON	1		
58	301-653	TAPPING SCREW (W/FLANGE) D4 X 20 (BLACK)	5		
59	962-569	WASHER (B)	1		
60	335-133	SWITCH LEVER	1		
61	335-146	OIL PIPE	1		
62	981-824	HEX. HD. TAPPING SCREW D4 X 45	2		
63	319-956	WASHER (B)	2		
64	335-125	TRIGGER	1		
65	335-695	INTERNAL WIRE (BROWN) L165	1		
66	335-696	INTERNAL WIRE (BLACK) L120	1		
67	959-141	CONNECTOR 50092 (10 PCS.)	1		
68	335-689	DIODE	1		
69	335-145	URETHANE TUBE 95L	1		
70	335-143	OIL TANK	1		
71		NAME PLATE	1		
72	335-692	CAUTION LABEL (EX)	1		
73	335-697	PANEL SHEET	1		
* 74	335-127	BRUSH HOLDER	1		
* 74	335-699	BRUSH HOLDER	1	FOR EUROPE	
75	999-068	CARBON BRUSH (1 PAIR)	2		
76	319-847	BRUSH CAP	2		
77	335-141	TAIL COVER	1		
78	335-691	TANK CAP PACKING	1		
79	335-144	TANK CAP	1		
* 80	335-126	BRUSH HOLDER	1		
* 80	335-698	BRUSH HOLDER	1	FOR EUROPE	
81	335-130	FRONT HANDLE	1		
82	335-131	BRAKE HANDLE	1		
83	316-321	TAPPING SCREW (W/FLANGE) D5 X 45	1		
84	334-379	FERRITE CORE	2		

