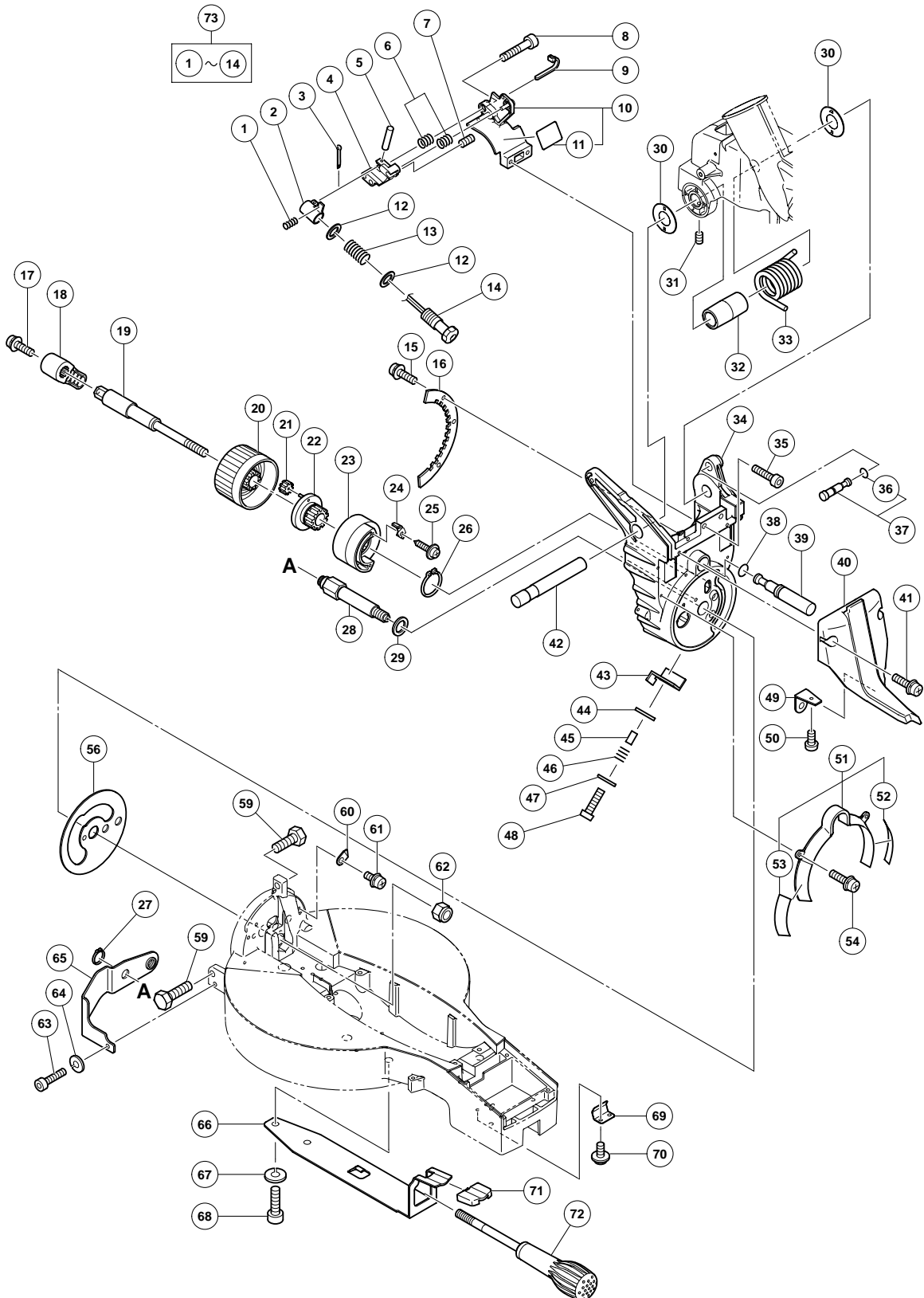
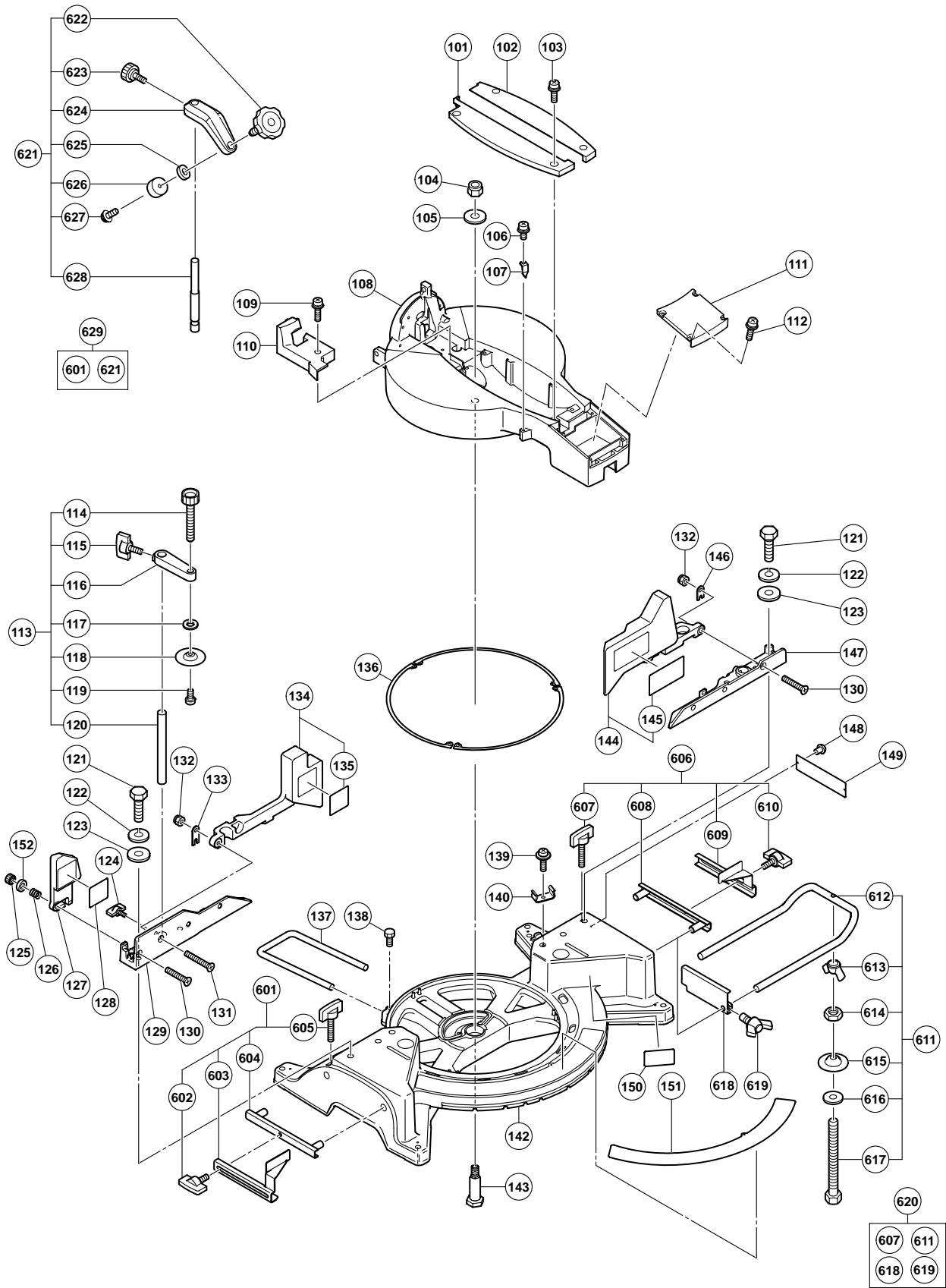


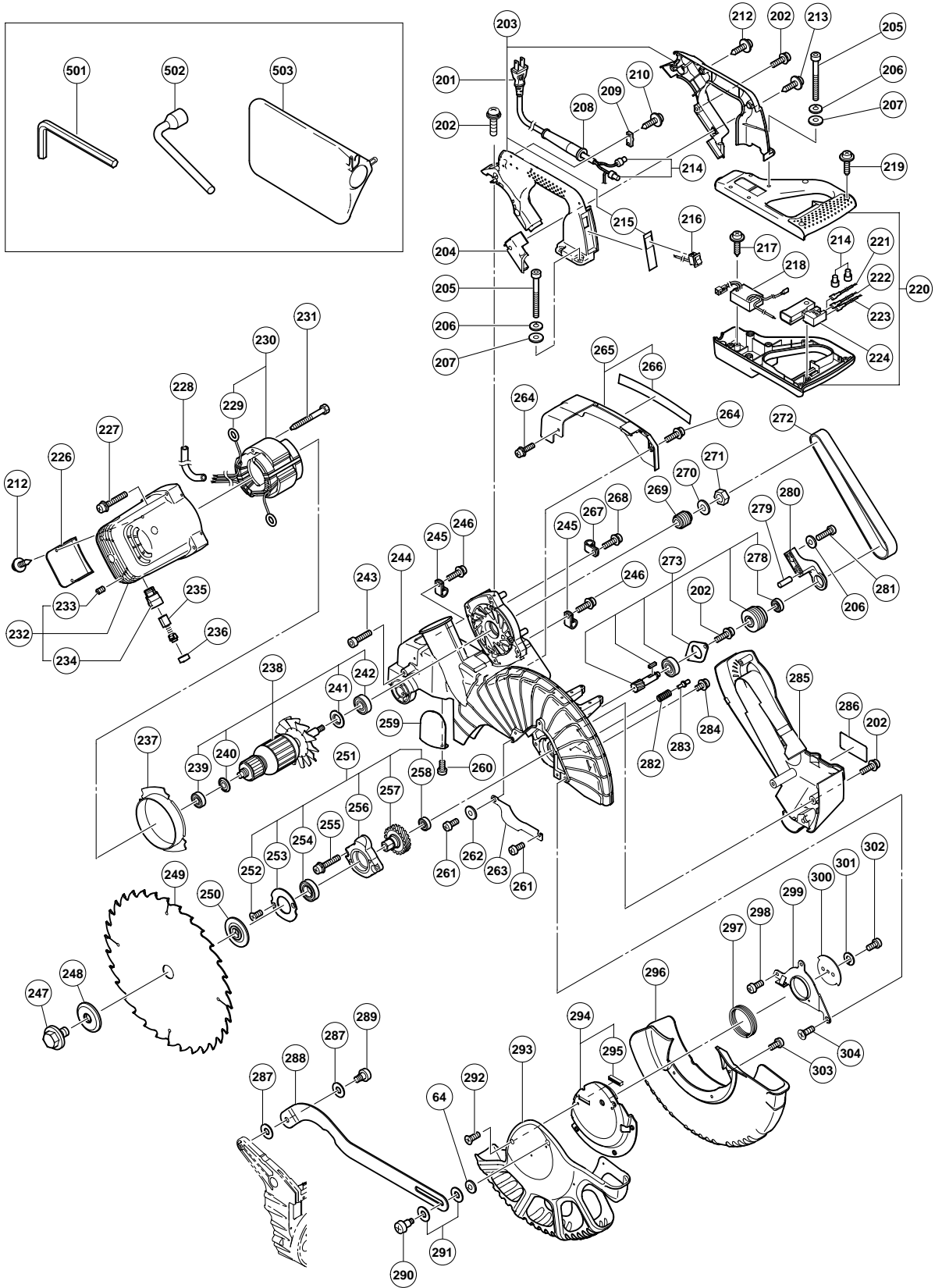
## ELECTRIC TOOL PARTS LIST

### COMPOUND MITER SAW Model C 12FDH

2005 • 10 • 5  
(E1)







**PARTS**

C 12FDH

| ITEM NO. | CODE NO. | DESCRIPTION                             | NO. USED | REMARKS        |
|----------|----------|---|----------|----------------|
| 1        | 323-141  | SPRING (B)                              | 1        |                |
| 2        | 323-137  | LASER HOLDER (A)                        | 1        |                |
| 3        | 949-531  | SPLIT PIN D2X12 (10 PCS.)               | 1        |                |
| 4        | 323-138  | LASER HOLDER (B)                        | 1        |                |
| 5        | 949-900  | ROLL PIN D3X14 (10 PCS.)                | 1        |                |
| 6        | 323-142  | SPRING (C)                              | 2        |                |
| 7        | 962-782  | HEX. SOCKET SET SCREW M5X6              | 1        |                |
| 8        | 323-144  | SPECIAL BOLT M5                         | 1        |                |
| 9        | 975-144  | CABLE TIE                               | 1        |                |
| 10       | 323-139  | LASER BASE ASS'Y                        | 1        | INCLUD. 11     |
| 11       |          | CAUTION LABEL (A)                       | 1        |                |
| 12       | 323-143  | WASHER                                  | 2        |                |
| 13       | 323-140  | SPRING (A)                              | 1        |                |
| 14       | 324-711  | LASER MODULE (A)                        | 1        |                |
| 15       | 990-541  | MACHINE SCREW (W/WASHERS) M5X16         | 3        |                |
| 16       | 324-971  | RACK                                    | 1        |                |
| 17       | 323-208  | MACHINE SCREW (W/WASHERS) M6X20 (BLACK) | 1        |                |
| 18       | 322-935  | CLAMP LEVER                             | 1        |                |
| 19       | 325-032  | BOLT (LEFT HAND) M10                    | 1        |                |
| 20       | 325-033  | KNOB (A)                                | 1        |                |
| 21       | 325-035  | PLANET GEAR                             | 3        |                |
| 22       | 325-036  | PINION (A)                              | 1        |                |
| 23       | 325-034  | RING GEAR                               | 1        |                |
| 24       | 325-037  | PLATE (H)                               | 2        |                |
| 25       | 307-811  | TAPPING SCREW (W/FLANGE) D4X16 (BLACK)  | 2        |                |
| 26       | 962-553  | RETAINING RING FOR D28 SHAFT            | 1        |                |
| 27       | 939-542  | RETAINING RING FOR D12 SHAFT (10 PCS.)  | 1        |                |
| 28       | 325-030  | SHAFT (D)                               | 1        |                |
| 29       | 322-934  | WASHER M16                              | 1        |                |
| 30       | 323-684  | LINER (D)                               | 2        |                |
| 31       | 307-956  | SEAL LOCK HEX. SOCKET SET SCREW M6X10   | 1        |                |
| 32       | 323-594  | SLEEVE                                  | 1        |                |
| 33       | 323-595  | SPRING (A)                              | 1        |                |
| 34       | 325-279  | HINGE                                   | 1        |                |
| 35       | 949-660  | HEX. SOCKET HD. BOLT M6X20 (10 PCS.)    | 2        |                |
| 36       | 984-528  | O-RING (P-6)                            | 1        |                |
| 37       | 302-518  | STOPPER PIN ASS'Y                       | 1        | INCLUD. 36     |
| 38       | 996-407  | O-RING (1AP-12)                         | 1        |                |
| 39       | 325-028  | SET PIN                                 | 1        |                |
| 40       | 324-973  | DUST GUIDE ASS'Y                        | 1        | INCLUD. 49, 50 |
| 41       | 990-541  | MACHINE SCREW (W/WASHERS) M5X16         | 2        |                |
| 42       | 323-593  | SHAFT (C)                               | 1        |                |
| 43       | 325-029  | BEVEL PLATE                             | 1        |                |
| 44       | 949-432  | BOLT WASHER M6 (10 PCS.)                | 1        |                |
| 45       | 303-006  | SPACER D4X10                            | 1        |                |
| 46       | 323-142  | SPRING (C)                              | 1        |                |
| 47       | 949-423  | WASHER M4 (10 PCS.)                     | 1        |                |
| 48       | 949-221  | MACHINE SCREW M4X20 (10 PCS.)           | 1        |                |
| 49       | 322-963  | DUST GUIDE HOLDER                       | 1        |                |
| 50       | 949-214  | MACHINE SCREW M4X6 (10 PCS.)            | 1        |                |
| 51       | 324-960  | SCALE PLATE ASS'Y                       | 1        | INCLUD. 52, 53 |

**PARTS**

C 12FDH

| ITEM NO. | CODE NO. | DESCRIPTION                             | NO. USED | REMARKS             |
|----------|----------|---|----------|---------------------|
| 52       | 324-961  | SCALE (D)                               | 1        |                     |
| 53       | 324-962  | SCALE (E)                               | 1        |                     |
| 54       | 993-539  | MACHINE SCREW (W/WASHERS) M4X16         | 2        |                     |
| 56       | 324-978  | LINER (B)                               | 1        |                     |
| 59       | 325-019  | NYLOCK HEX. SOCKET HD. BOLT M8X20       | 3        |                     |
| 60       | 324-974  | INDICATOR (B)                           | 2        |                     |
| 61       | 304-043  | MACHINE SCREW (W/WASHERS) M4X10 (BLACK) | 2        |                     |
| 62       | 680-418  | NYLON NUT M12                           | 1        |                     |
| 63       | 949-821  | HEX. SOCKET HD. BOLT M5X16 (10 PCS.)    | 1        |                     |
| 64       | 949-454  | SPRING WASHER M5 (10 PCS.)              | 2        |                     |
| 65       | 325-031  | HINGE PLATE                             | 1        |                     |
| 66       | 323-627  | SPRING PLATE                            | 1        |                     |
| 67       | 949-457  | SPRING WASHER M8 (10 PCS.)              | 2        |                     |
| 68       | 949-655  | HEX. SOCKET HD. BOLT M8X16 (10 PCS.)    | 2        |                     |
| 69       | 323-609  | SPACER (A)                              | 1        |                     |
| 70       | 307-635  | MACHINE SCREW (W/SP. WASHER) M4X10      | 2        |                     |
| 71       | 324-987  | PLATE CAP                               | 1        |                     |
| 72       | 323-680  | SIDE HANDLE                             | 1        |                     |
| 73       | 323-646  | LASER HOLDER ASS'Y                      | 1        | INCLUD. 1-10, 12-14 |
| 101      | 325-046  | TABLE INSERT (A)                        | 1        |                     |
| 102      | 323-649  | TABLE INSERT (B)                        | 1        |                     |
| 103      | 990-541  | MACHINE SCREW (W/WASHERS) M5X16         | 4        |                     |
| 104      | 975-348  | NYLON NUT M8                            | 1        |                     |
| 105      | 318-929  | WASHER (F)                              | 1        |                     |
| 106      | 304-043  | MACHINE SCREW (W/WASHERS) M4X10 (BLACK) | 1        |                     |
| 107      | 318-927  | INDICATOR (A)                           | 1        |                     |
| 108      | 325-277  | TURN TABLE                              | 1        |                     |
| 109      | 993-539  | MACHINE SCREW (W/WASHERS) M4X16         | 1        |                     |
| 110      | 325-021  | CORD COVER (A)                          | 1        |                     |
| 111      | 323-693  | MONITOR CASE (B)                        | 1        |                     |
| 112      | 993-539  | MACHINE SCREW (W/WASHERS) M4X16         | 4        |                     |
| 113      | 323-677  | WISE ASS'Y                              | 1        | INCLUD. 114-120     |
| 114      | 323-678  | KNOB BOLT                               | 1        |                     |
| 115      | 301-806  | WING BOLT M6X15                         | 1        |                     |
| 116      |          | SCREW HOLDER                            | 1        |                     |
| 117      | 949-432  | BOLT WASHER M6 (10 PCS.)                | 1        |                     |
| 118      | 302-532  | WISE PLATE                              | 1        |                     |
| 119      | 949-216  | MACHINE SCREW M4X10 (10 PCS.)           | 1        |                     |
| 120      | 322-954  | WISE SHAFT                              | 1        |                     |
| 121      | 949-678  | BOLT M8X35 (10 PCS.)                    | 4        |                     |
| 122      | 949-457  | SPRING WASHER M8 (10 PCS.)              | 4        |                     |
| 123      | 949-433  | BOLT WASHER M8 (10 PCS.)                | 4        |                     |
| 124      | 301-806  | WING BOLT M6X15                         | 1        |                     |
| 125      | 324-995  | KNOB (B)                                | 1        |                     |
| 126      | 323-142  | SPRING (C)                              | 1        |                     |
| 127      | 324-993  | SUB FENCE (C) ASS'Y                     | 1        | INCLUD. 128         |
| 128      |          | WARNING LABEL (O)                       | 1        |                     |
| 129      | 325-049  | FENCE (B)                               | 1        |                     |
| 130      | 949-342  | FLAT HD. SCREW M6X25 (10 PCS.)          | 2        |                     |
| 131      | 949-795  | FLAT HD. SCREW M6X35 (10 PCS.)          | 1        |                     |
| 132      | 311-144  | NYLON NUT M6                            | 2        |                     |

**PARTS**

C 12FDH

| ITEM NO. | CODE NO. | DESCRIPTION                             | NO. USED | REMARKS            |
|----------|----------|---|----------|--------------------|
| 133      | 324-994  | PLATE (D) 35MM                          | 1        |                    |
| 134      | 325-271  | SUB FENCE (B) ASS'Y                     | 1        | INCLUD. 135        |
| 135      |          | WARNING LABEL (L)                       | 1        |                    |
| 136      | 323-625  | LINER (A)                               | 3        |                    |
| 137      | 322-910  | HOLDER                                  | 1        |                    |
| 138      | 949-610  | BOLT M6X10 (10 PCS.)                    | 1        |                    |
| 139      | 987-512  | MACHINE SCREW (W/SP. WASHER) M5X16      | 1        |                    |
| 140      | 323-605  | HOOK                                    | 1        |                    |
| 142      | 324-965  | BASE ASS'Y                              | 1        | INCLUD. 148-151    |
| 143      | 323-626  | SHAFT (B)                               | 1        |                    |
| 144      | 325-270  | SUB FENCE (A) ASS'Y                     | 1        | INCLUD. 145        |
| 145      |          | WARNING LABEL (M)                       | 1        |                    |
| 146      | 324-990  | PLATE (D) 24.5MM                        | 1        |                    |
| 147      | 324-988  | FENCE (A)                               | 1        |                    |
| 148      | 949-510  | RIVET D2.5X4.8 (10 PCS.)                | 2        |                    |
| 149      |          | WARNING LABEL (A)                       | 1        |                    |
| 150      |          | CAUTION LABEL (C)                       | 1        |                    |
| 151      | 323-692  | SCALE (A)                               | 1        |                    |
| 152      | 949-432  | BOLT WASHER M6 (10 PCS.)                | 1        |                    |
| 201      | 325-048  | CORD                                    | 1        | (CORD ARMOR D10.7) |
| 202      | 990-541  | MACHINE SCREW (W/WASHERS) M5X16         | 7        |                    |
| 203      | 324-964  | HANDLE ASS'Y                            | 1        | INCLUD. 215        |
| 204      | 325-022  | CORD COVER (B)                          | 1        |                    |
| 205      | 949-828  | HEX. SOCKET HD. BOLT M5X70 (10 PCS.)    | 4        |                    |
| 206      | 949-431  | BOLT WASHER M5 (10 PCS.)                | 4        |                    |
| 207      | 949-454  | SPRING WASHER M5 (10 PCS.)              | 6        |                    |
| 208      | 940-778  | CORD ARMOR D10.7                        | 1        |                    |
| 209      | 937-631  | CORD CLIP                               | 1        |                    |
| 210      | 984-750  | TAPPING SCREW (W/FLANGE) D4X16          | 2        |                    |
| 212      | 307-811  | TAPPING SCREW (W/FLANGE) D4X16 (BLACK)  | 5        |                    |
| 213      | 307-811  | TAPPING SCREW (W/FLANGE) D4X16 (BLACK)  | 1        |                    |
| 214      | 959-141  | CONNECTOR 50092 (10 PCS.)               | 4        |                    |
| 215      | 324-966  | SWITCH LABEL (B)                        | 1        |                    |
| 216      | 323-634  | SWITCH (A) (1P TYPE)                    | 1        |                    |
| 217      | 984-750  | TAPPING SCREW (W/FLANGE) D4X16          | 1        |                    |
| 218      | 325-280  | SWITCHING POWER SUPPLY                  | 1        |                    |
| 219      | 301-653  | TAPPING SCREW (W/FLANGE) D4X20 (BLACK)  | 3        |                    |
| 220      | 325-043  | SWITCH HANDLE (A).(B) SET               | 1        |                    |
| 221      | 325-261  | INTERNAL WIRE (A) (BLUE)                | 1        |                    |
| 222      | 325-262  | INTERNAL WIRE (A) (YELLOW)              | 1        |                    |
| 223      | 325-263  | INTERNAL WIRE (A) (BLACK)               | 1        |                    |
| 224      | 324-998  | SWITCH (3P FASTON TYPE) W/O LOCK        | 1        |                    |
| 226      | 325-002  | HOUSING COVER                           | 1        |                    |
| 227      | 322-123  | MACHINE SCREW (W/WASHERS) M5X40 (BLACK) | 4        |                    |
| 228      | 325-000  | VINYL TUBE                              | 1        |                    |
| 229      | 937-623  | BRUSH TERMINAL                          | 2        |                    |
| 230      | 340-648D | STATOR ASS'Y 120V                       | 1        | INCLUD. 229        |
| 231      | 953-174  | HEX. HD. TAPPING SCREW D5X55            | 2        |                    |
| 232      | 325-045  | HOUSING ASS'Y                           | 1        | INCLUD. 233, 234   |
| 233      | 938-477  | HEX. SOCKET SET SCREW M5X8              | 2        |                    |
| 234      | 938-241  | BRUSH HOLDER                            | 1        |                    |

**PARTS**

C 12FDH

| ITEM NO. | CODE NO. | DESCRIPTION                             | NO. USED | REMARKS                  |
|----------|----------|---|----------|--------------------------|
| 235      | 999-038  | CARBON BRUSH (1 PAIR)                   | 1        |                          |
| 236      | 945-161  | BRUSH CAP                               | 1        |                          |
| 237      | 322-915  | FAN GUIDE                               | 1        |                          |
| 238      | 360-743U | ARMATURE ASS'Y 120V                     | 1        | INCLUD. 239-242          |
| 239      | 600-0VV  | BALL BEARING 6000VVCMP2L                | 1        |                          |
| 240      | 302-428  | WASHER (A)                              | 1        |                          |
| 241      | 325-003  | DUST WASHER (B)                         | 1        |                          |
| 242      | 620-1VV  | BALL BEARING 6201VVCMP2L                | 1        |                          |
| 243      | 949-755  | HEX. SOCKET HD. BOLT M6X16 (10 PCS.)    | 1        |                          |
| 244      | 325-004  | GEAR CASE                               | 1        |                          |
| 245      | 980-523  | NYLON CLIP                              | 2        |                          |
| 246      | 935-196  | MACHINE SCREW (W/WASHERS) M4X12 (BLACK) | 2        |                          |
| 247      | 988-101  | BOLT (A) M10                            | 1        |                          |
| 248      | 323-652  | WASHER (B)                              | 1        |                          |
| 249      |          | TCT SAW BLADE 305MM-D25.4 HOLE-NT32     | 1        |                          |
| 250      | 325-023  | WASHER (A)                              | 1        |                          |
| 251      | 325-005  | SPINDLE ASS'Y                           | 1        | INCLUD. 252-254, 256-258 |
| 252      | 318-363  | FLAT HD. SCREW M4X10 (BLACK)            | 2        |                          |
| 253      | 325-008  | BEARING COVER (A)                       | 1        |                          |
| 254      | 690-4DD  | BALL BEARING 6904DDPS2L                 | 1        |                          |
| 255      | 323-208  | MACHINE SCREW (W/WASHERS) M6X20 (BLACK) | 2        |                          |
| 256      | 325-007  | BEARING HOLDER (A)                      | 1        |                          |
| 257      | 325-006  | SPINDLE AND GEAR SET                    | 1        |                          |
| 258      | 608-VVM  | BALL BEARING 608VVC2PS2L                | 1        |                          |
| 259      | 322-926  | LASER COVER (A)                         | 1        |                          |
| 260      | 949-216  | MACHINE SCREW M4X10 (10 PCS.)           | 1        |                          |
| 261      | 323-040  | MACHINE SCREW M5X10 (BLACK)             | 2        |                          |
| 262      | 949-431  | BOLT WASHER M5 (10 PCS.)                | 1        |                          |
| 263      | 323-675  | SPINDLE COVER                           | 1        |                          |
| 264      | 993-539  | MACHINE SCREW (W/WASHERS) M4X16         | 2        |                          |
| 265      | 325-047  | GEAR CASE COVER ASS'Y                   | 1        | INCLUD. 266              |
| 266      | 323-654  | CAUTION LABEL (B)                       | 1        |                          |
| 269      | 324-443  | PULLEY (A)                              | 1        |                          |
| 270      | 961-157  | SUPER LOCK WASHER                       | 1        |                          |
| 271      | 949-560  | NUT M10 (10 PCS.)                       | 1        |                          |
| 272      | 324-427  | BELT (200H10) 16X508                    | 1        |                          |
| 273      | 325-009  | PINION ASS'Y                            | 1        | INCLUD. 278              |
| 278      | 608-VVM  | BALL BEARING 608VVC2PS2L                | 1        |                          |
| 279      | 983-545  | NEEDLE ROLLER                           | 2        |                          |
| 280      | 325-259  | BEARING HOLDER (B)                      | 1        |                          |
| 281      | 949-241  | MACHINE SCREW M5X20 (10 PCS.)           | 2        |                          |
| 282      | 325-018  | SPRING                                  | 1        |                          |
| 283      | 325-017  | STOPPER PIN (B)                         | 1        |                          |
| 284      | 304-043  | MACHINE SCREW (W/WASHERS) M4X10 (BLACK) | 1        |                          |
| 285      | 325-016  | PULLEY COVER                            | 1        |                          |
| 286      |          | NAME PLATE                              | 1        |                          |
| 287      | 322-948  | WASHER M7                               | 2        |                          |
| 288      | 325-041  | LINK                                    | 1        |                          |
| 289      | 322-950  | SPECIAL SCREW M6                        | 1        |                          |
| 290      | 322-947  | SPECIAL SCREW (C) M5                    | 1        |                          |
| 291      | 322-938  | WASHER M10                              | 2        |                          |







